

424 Fore Street
 Portland, ME 04101
 Phone 207.842.2800
 Fax 207.842.2828
www.cascobayengineering.com

CLIENT:
PROSPECT DESIGN
 58 FORE STREET
 PORTLAND, MAINE

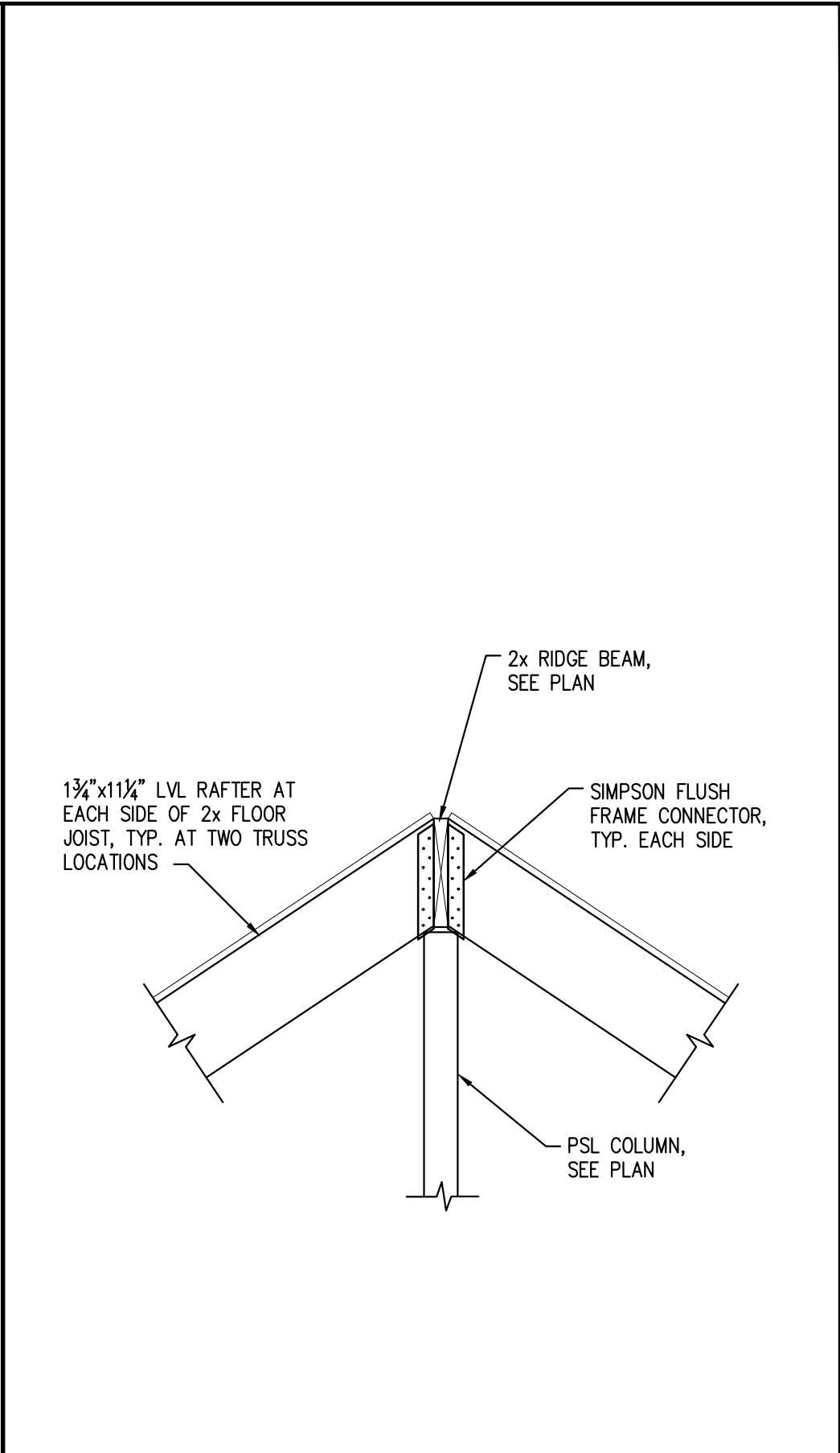
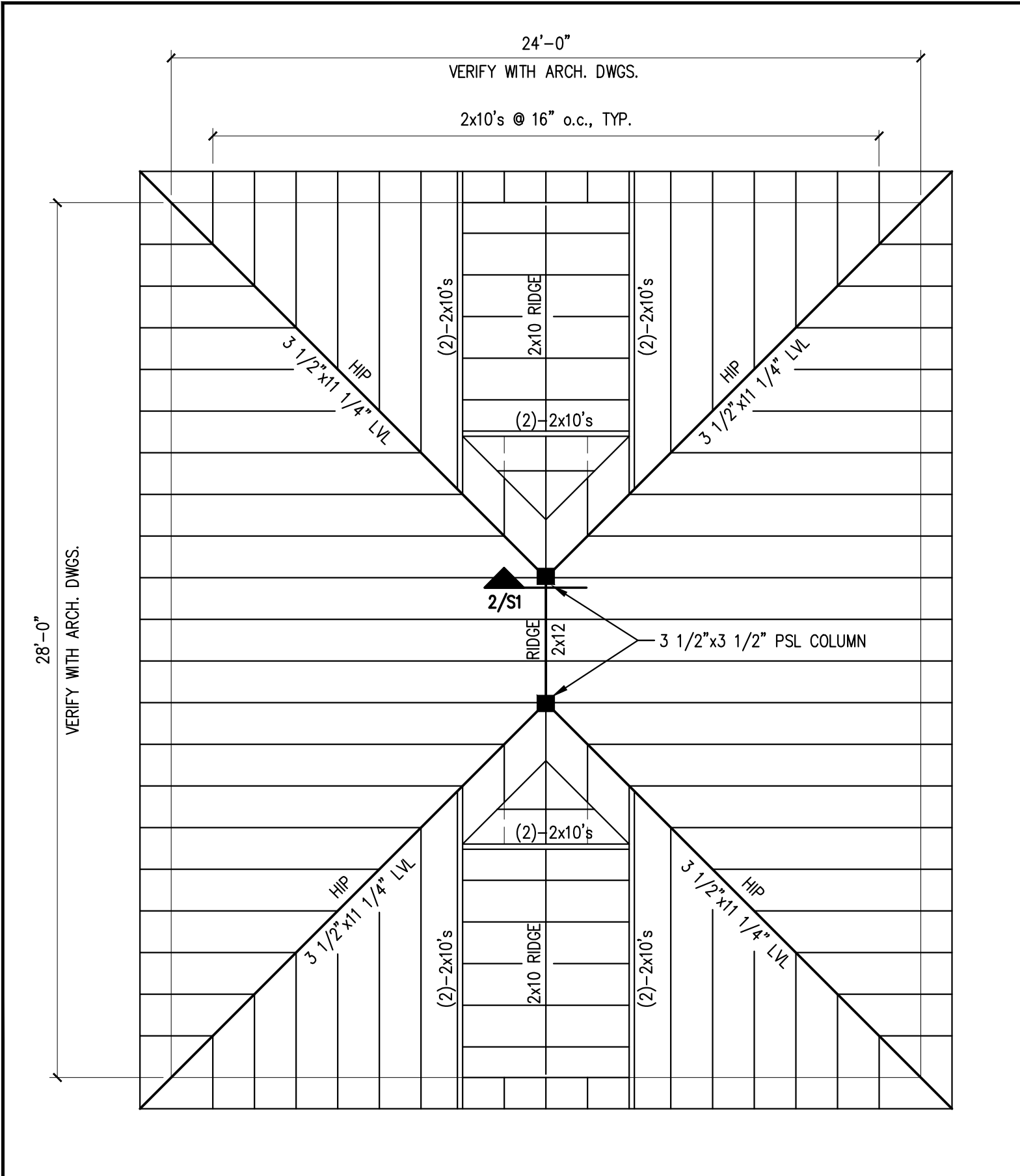
ROY RENOVATION
 PORTLAND MAINE

ISSUE	DESCRIPTION
No.	DATE

SHEET TITLE:
GARAGE ROOF FRAMING PLAN

DESIGNED: ED
 DRAWN: ED
 DATE: 4-3-14
 PROJECT No: 14-040

S1



GARAGE ROOF FRAMING PLAN

SCALE: 1/4"=1'-0"

1

SECTION

SCALE: 3/4"=1'-0"

2