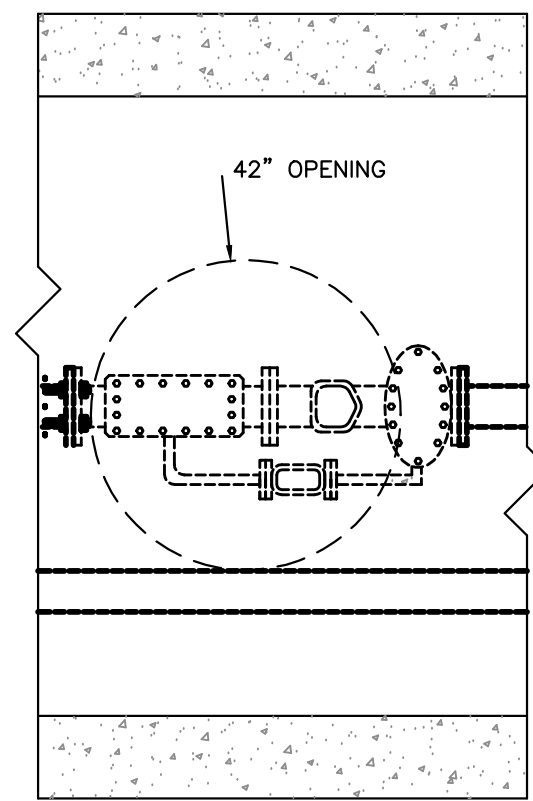
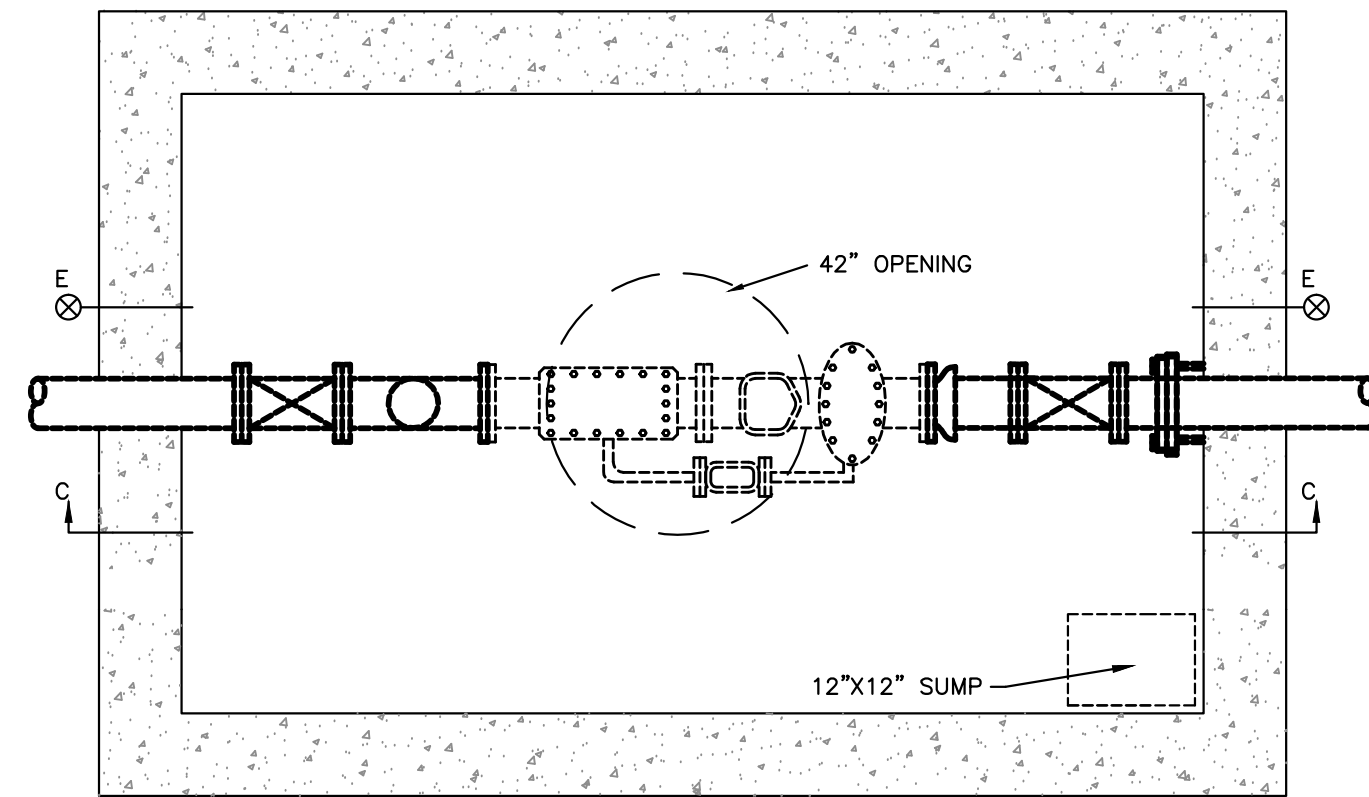


SIDE-ARM BLOW-OFF 4" & LARGER MAINS

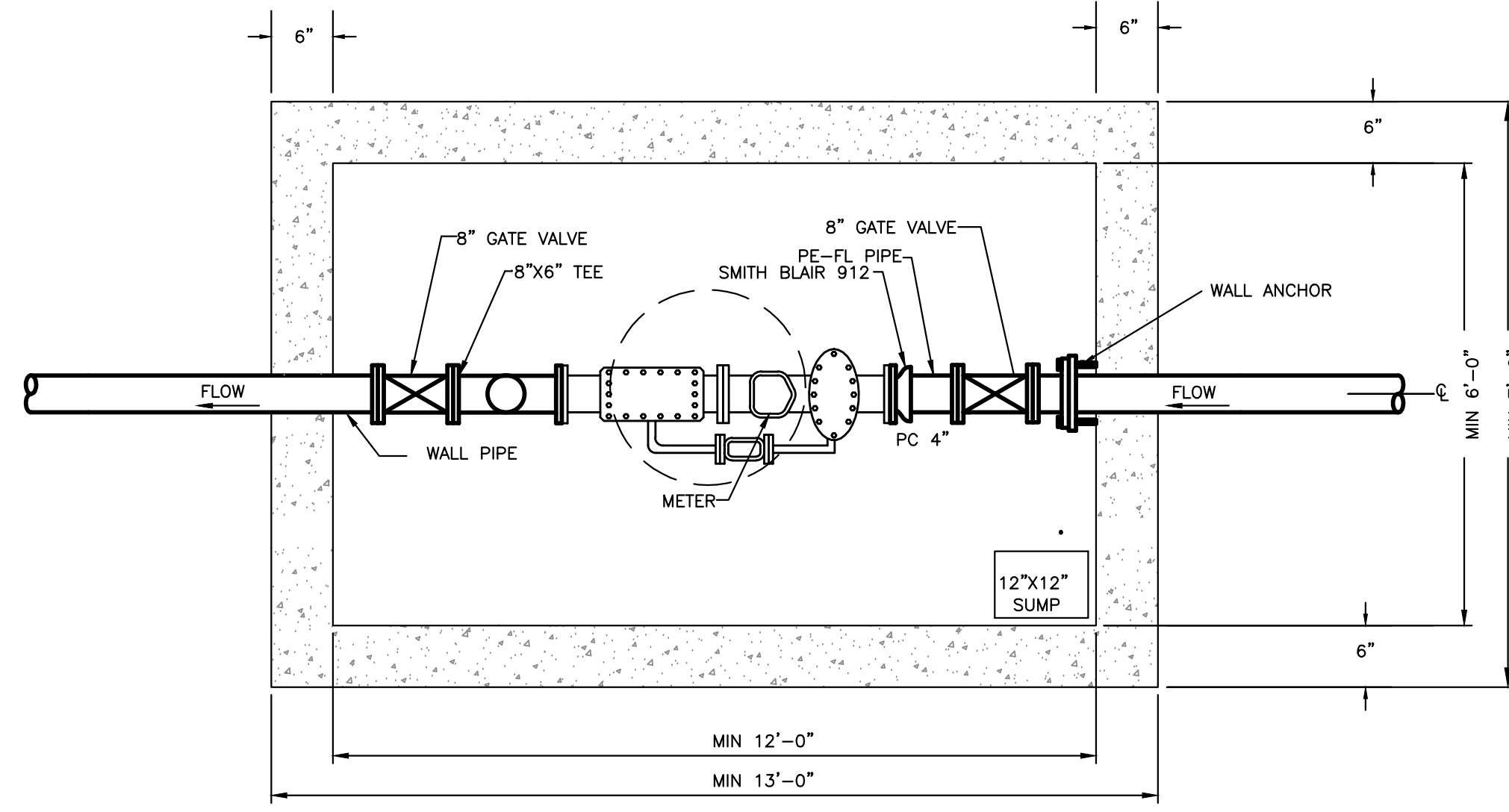
- NOTES:
- SHOP DRAWING SUBMITTAL REQUIRED TO THE ENGINEER.
 - ALL JOINTS TO BE WATERTIGHT WITH USE OF TWO (2) STRIPS OF CONEAL.
 - COVER AND STRUCTURE LOADING SHALL BE FOR H₂O.
 - STRUCTURAL DESIGN OF THE VAULT TO BE APPLICABLE FOR THE ANTICIPATED LOADING AND A MIN. OF H₂O LOADING.
 - WATER METER SHALL BE "OMNI F³ METER" AS MANUFACTURED BY SENSUS. WATER METER SHALL BE INSTALLED IN ACCORDANCE WITH MANUFACTURER'S RECOMMENDATIONS. FINAL METER SIZE TO BE DETERMINED BY A MECHANICAL ENGINEER, WRIGHT-RYAN TO COORDINATE. FOR BIDDING PURPOSES AN 8" METER SHALL BE ASSUMED.
 - PRE-CAST CONCRETE METER PIT AND APPURTENANCES SHALL BE AS MANUFACTURED BY GEORGE R. ROBERTS CO., OR APPROVED EQUAL.
 - 5,000 PSI @ 28 DAYS.
 - CEMENT SHALL BE TYPE III PER ASTM C150-81.
 - SHALL BE CONSTRUCTED IN ACCORDANCE WITH PORTLAND WATER DISTRICT STANDARDS.
 - 12" HOLES SHALL BE CONSTRUCTED FOR 8" PIPE.
 - THE PORTLAND WATER DISTRICT HAS REQUESTED THAT NO METER BYPASS PIPING BE ALLOWED AT THIS SITE. FINAL DIMENSIONS OF THE PRE-CAST CONCRETE METER PIT TO BE DETERMINED WITH AN APPROVED SHOP DRAWING SUBMITTAL.



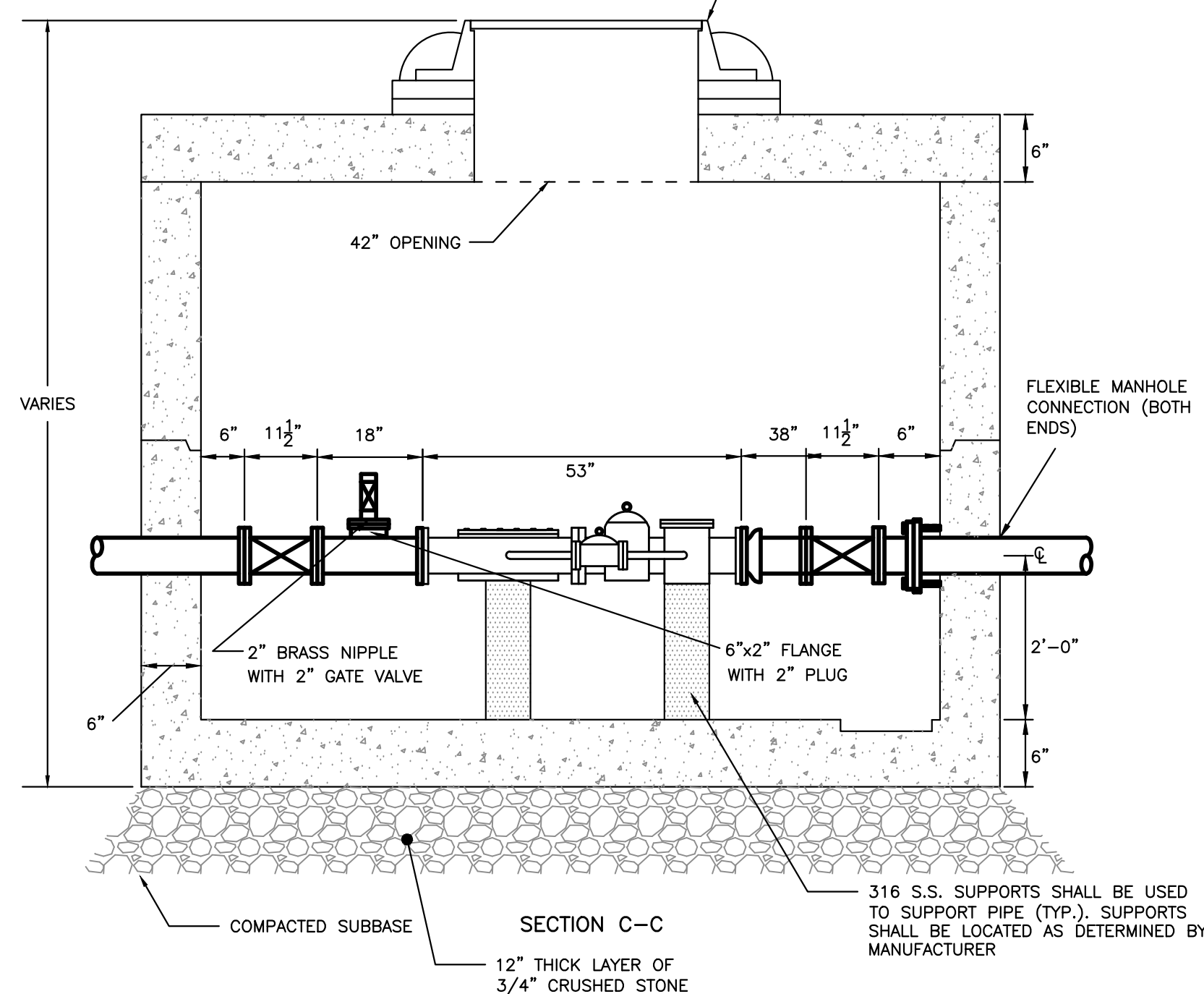
PLAN - TRAFFIC-RATED COVER



PLAN

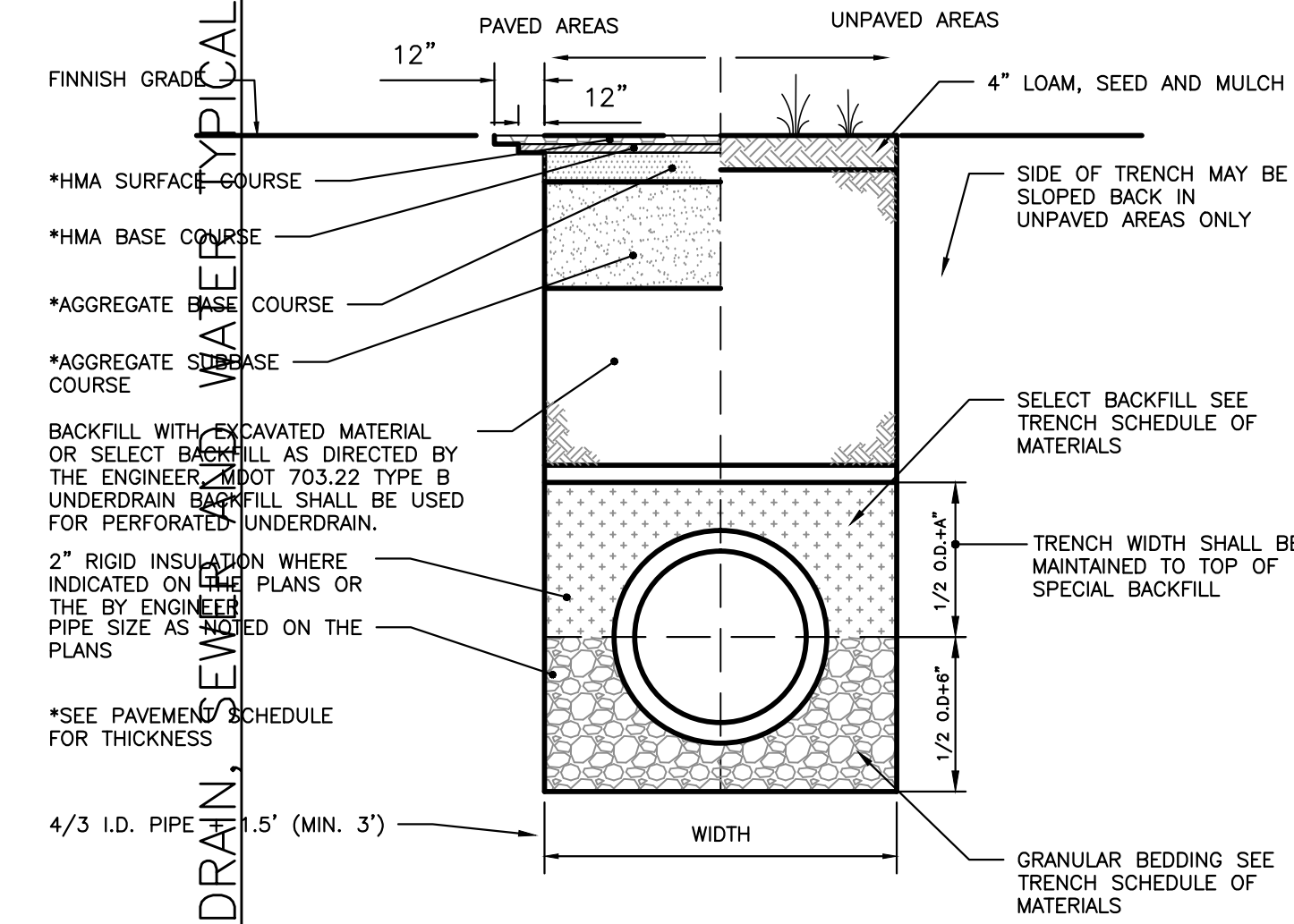


SECTION E-E 42" CAST IRON FRAME & COVER. BRICK AND MORTAR TO GRADE WITH NO MORE THAN 6 COURSES AND NO LESS THAN 2 COURSES.



SECTION C-C 316 S.S. SUPPORTS SHALL BE USED TO SUPPORT PIPE (TYP.). SUPPORTS SHALL BE LOCATED AS DETERMINED BY MANUFACTURER.

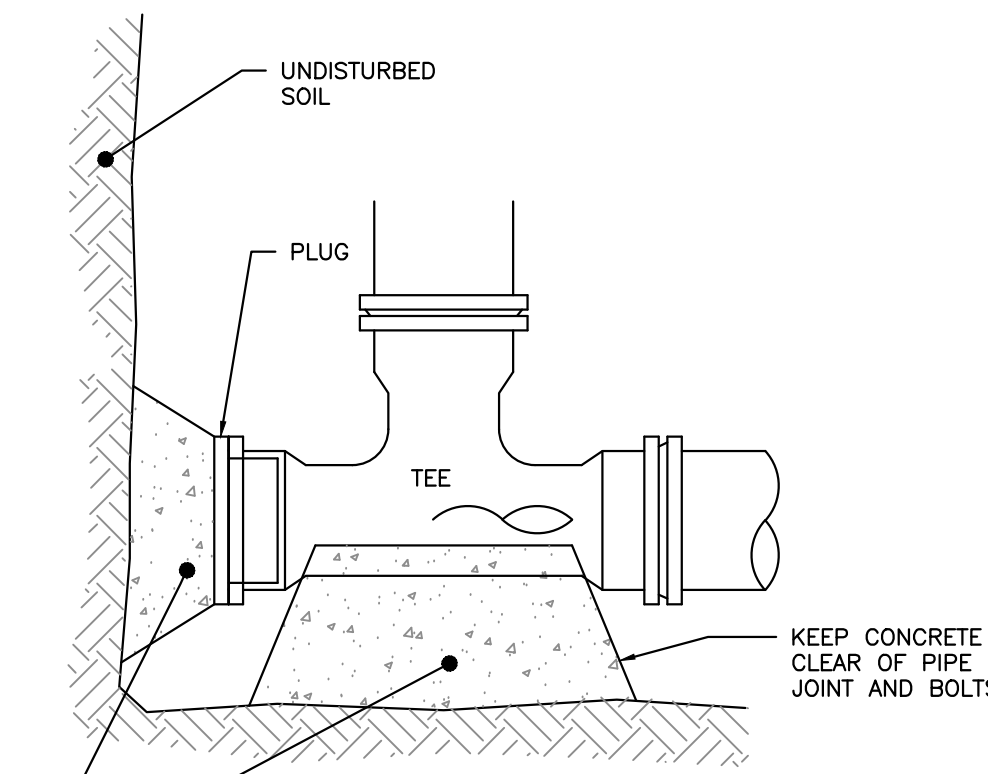
8-IN FIRE LINE METER DETAIL NOT TO SCALE



SCHEDULE OF MATERIALS		
TYPE OF PIPE	GRANULAR BEDDING	SELECT BACKFILL
CMP DUCTILE IRON RCP	MDOT 703.22 TYPE B UD BACKFILL	MDOT 703.22 TYPE B UD BACKFILL
PVC/HDPE	MDOT 703.22 TYPE C 3/4" CRUSHED STONE	MDOT 703.22 TYPE B UD BACKFILL
CMP	MDOT 703.22 TYPE C 3/4" CRUSHED STONE	MDOT 703.22 TYPE C 3/4" CRUSHED STONE

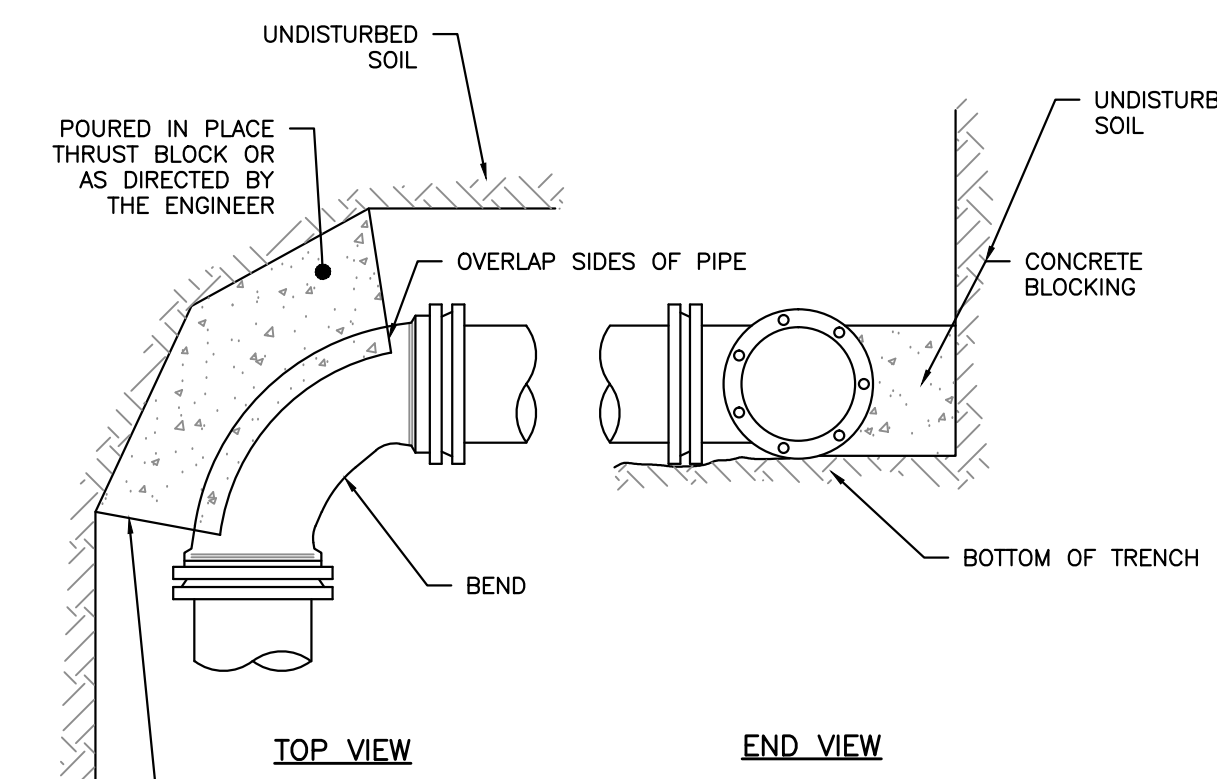
- NOTE:
- PROTECTION TO BE PROVIDED TO MEET APPLICABLE STATE AND O.S.H.A. SAFETY STANDARDS. ALL SUCH TRENCH PROTECTION TO BE THE RESPONSIBILITY OF THE CONTRACTOR.
 - STORM DRAIN COVER BETWEEN 2' AND 3' SHALL INCLUDE 4" OF RIGID INSULATION. COVER BETWEEN 3' AND 4' SHALL INCLUDE 2" RIGID INSULATION.
 - INSTALL WARNING TAPE DIRECTLY ABOVE UTILITIES AT THE TOP OF SUBGRADE.
 - MINIMUM COVER
 - 2'-0" - STORM DRAIN
 - 5'-6" - WATER
 - 5'-0" - SEWER

NOT TO SCALE



END SECTION

PIPE SIZE	THRUST SCHEDULE BEARING SURFACE REQUIRED FOR WATER PIPES (VALUES IN SF)			
	1/32 BEND	1/16 BEND	1/8 BEND	1/4 TEES/ CAPS
8"	2.0	3.0	6.0	10.0 16.0



TOP VIEW

END VIEW

REGULAR BEND

THRUST BLOCKING NOT TO SCALE

PERMIT DRAWINGS NOT FOR CONSTRUCTION

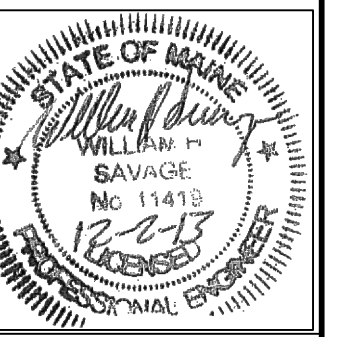
ISSUED FOR	BY	DATE
WORKSHOP #2	WHS	11/12/13
FINAL SUBMISSION	WHS	12/2/13
MAINE DEP MCGP	WHS	12/16/13

REVISION	REV.	DATE
REV. STANDARD DETAIL	WHS	12/4/13
STAFF COMMENTS	WHS	12/6/13

DRAWING NAME: PORTLAND WATER DISTRICT DETAILS - 2
 PROJECT NAME: MUNJOY HEIGHTS
 CLIENT: REDFERN MUNJOY, LLC.
 P.O. BOX 8816, PORTLAND, MAINE 04104

ACORN ENGINEERING, INC.
 125 N. MAIN ST. SUITE 200 PORTLAND, MAINE 04104
 P.O. BOX 1372 PORTLAND, MAINE 04104
 (207) 775-2655

FILE: 1047_details
 DATE: 7/11/13
 JN: 302-001
 SCALE: NTS
 DESIGN BY: WHS
 DRAWN BY: ZRJ
 CHECKED BY: WHS



DRAWING NO. C-45