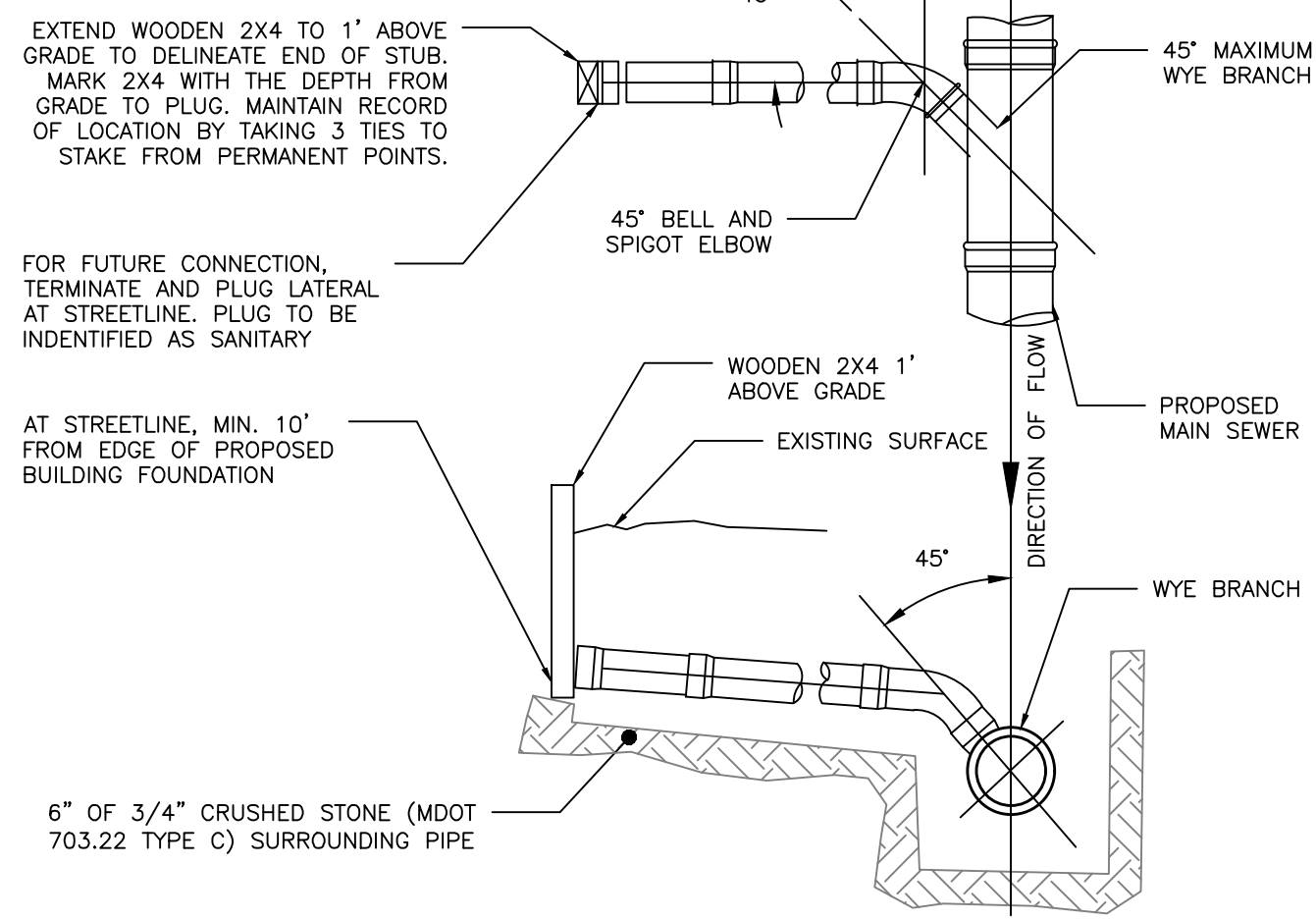
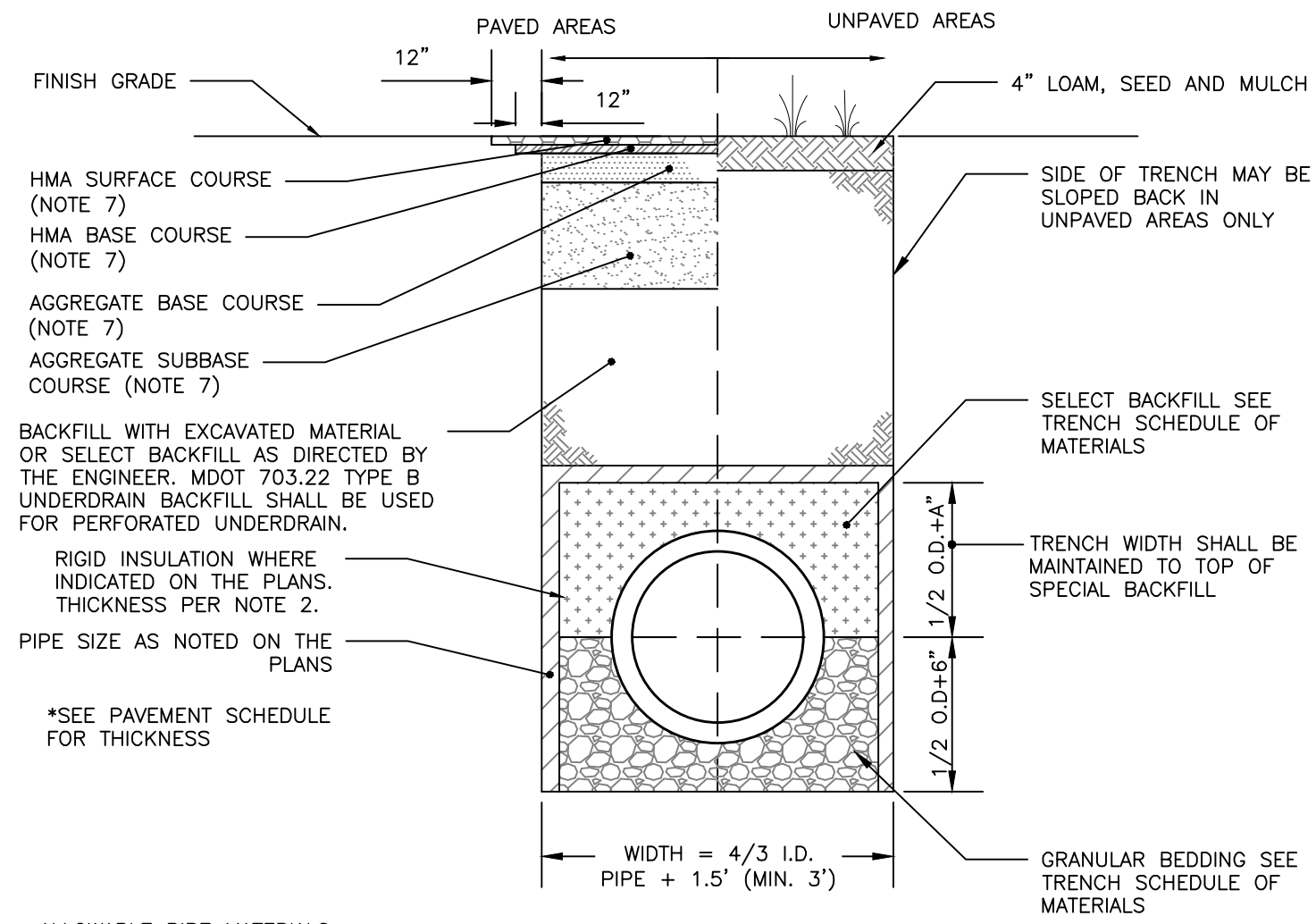


NOTES:

1. LOCATION WITH WARNING TAPE SHALL BE INSTALLED OVER CENTERLINE OF PIPE AT A MAXIMUM OF 24 INCHES BELOW FINISH GRADE.
2. SITE CONTRACTOR TO COORDINATE CONNECTION OF SEWER LATERAL TO HOUSEHOLD PLUMBING WITH ARCHITECTURAL CONTRACTOR.
3. CONNECTION OF PROPOSED SEWER LATERAL TO HOUSEHOLD PLUMBING SHOULD INCORPORATE USE OF SIMILAR PIPE MATERIALS. IN THE CASE OF DISSIMILAR PIPES BEING USED, A FERNCO FLEXIBLE COUPLING SHALL BE USED.



SEWER TEE/WYE CONNECTION DETAIL
NOT TO SCALE



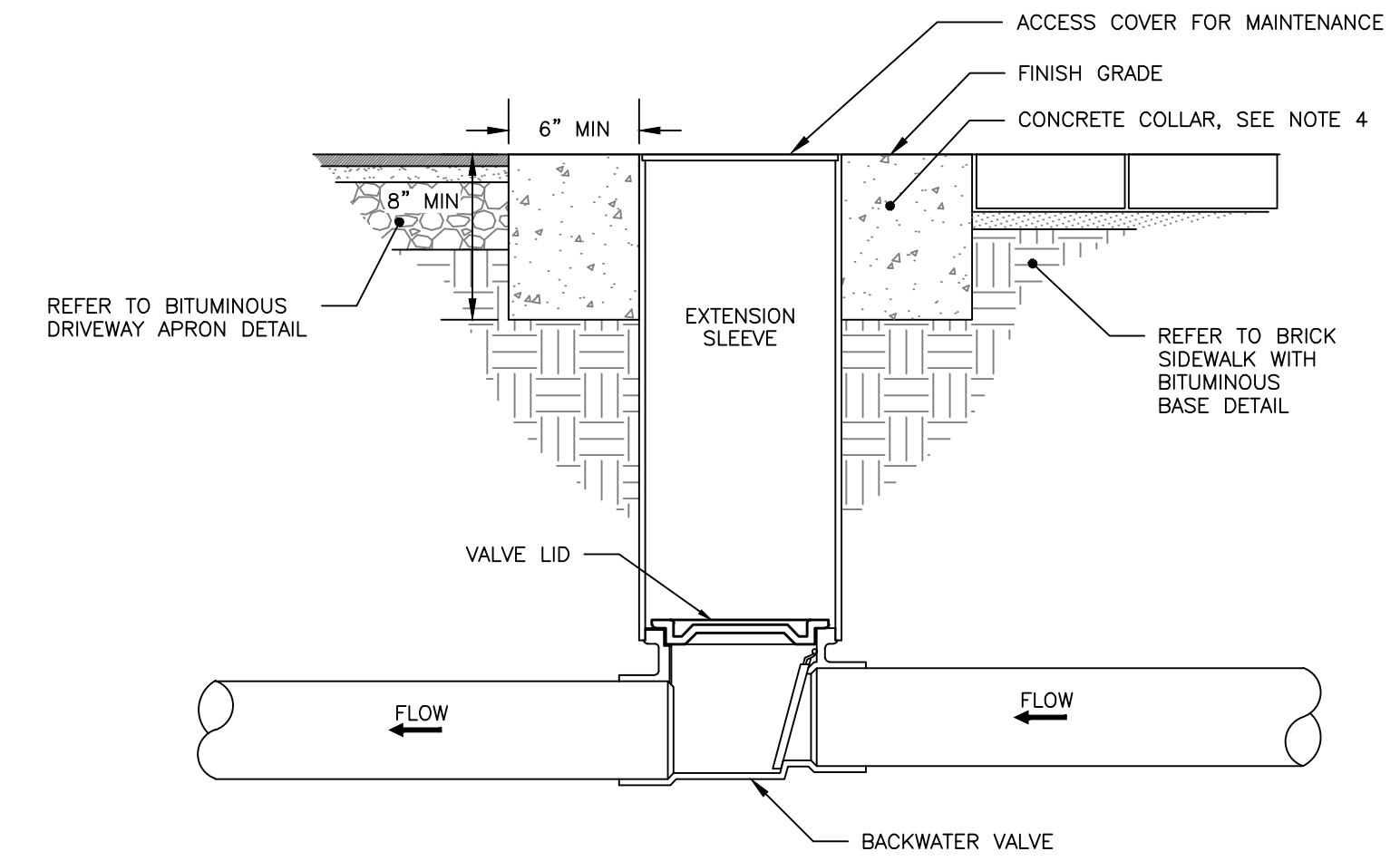
- ALLOWABLE PIPE MATERIALS:**
- REINFORCED CONCRETE PIPE (RCP) MIN. STRENGTH OF CLASS III
 - PVC RING TYPE SEWER (SDR 35) OR EQUIVALENT, MIN PS-46 RATING
 - PVC RING TYPE SEWER PIPE MEETING ASTM F 789
 - DUCTILE IRON PIPE (DIP)
 - ADS N-12 HP TRIPLE-WALL MIN PS-46 RATING
 - ADS SANITTE HP MIN. PS-46

STORM DRAIN AND SEWER TYPICAL TRENCH SECTION WITHIN PROPERTY
NOT TO SCALE

| SCHEDULE OF MATERIALS | | |
|-----------------------|---------------------------------------|---------------------------------------|
| TYPE OF PIPE | GRANULAR BEDDING | SELECT BACKFILL |
| CMP DUCTILE IRON RCP | MDOT 703.22 TYPE B UD BACKFILL | MDOT 703.22 TYPE B UD BACKFILL |
| PVC/HDPE | MDOT 703.22 TYPE C 3/4" CRUSHED STONE | MDOT 703.22 TYPE B UD BACKFILL |
| CMP | MDOT 703.22 TYPE C 3/4" CRUSHED STONE | MDOT 703.22 TYPE C 3/4" CRUSHED STONE |

NOTES:

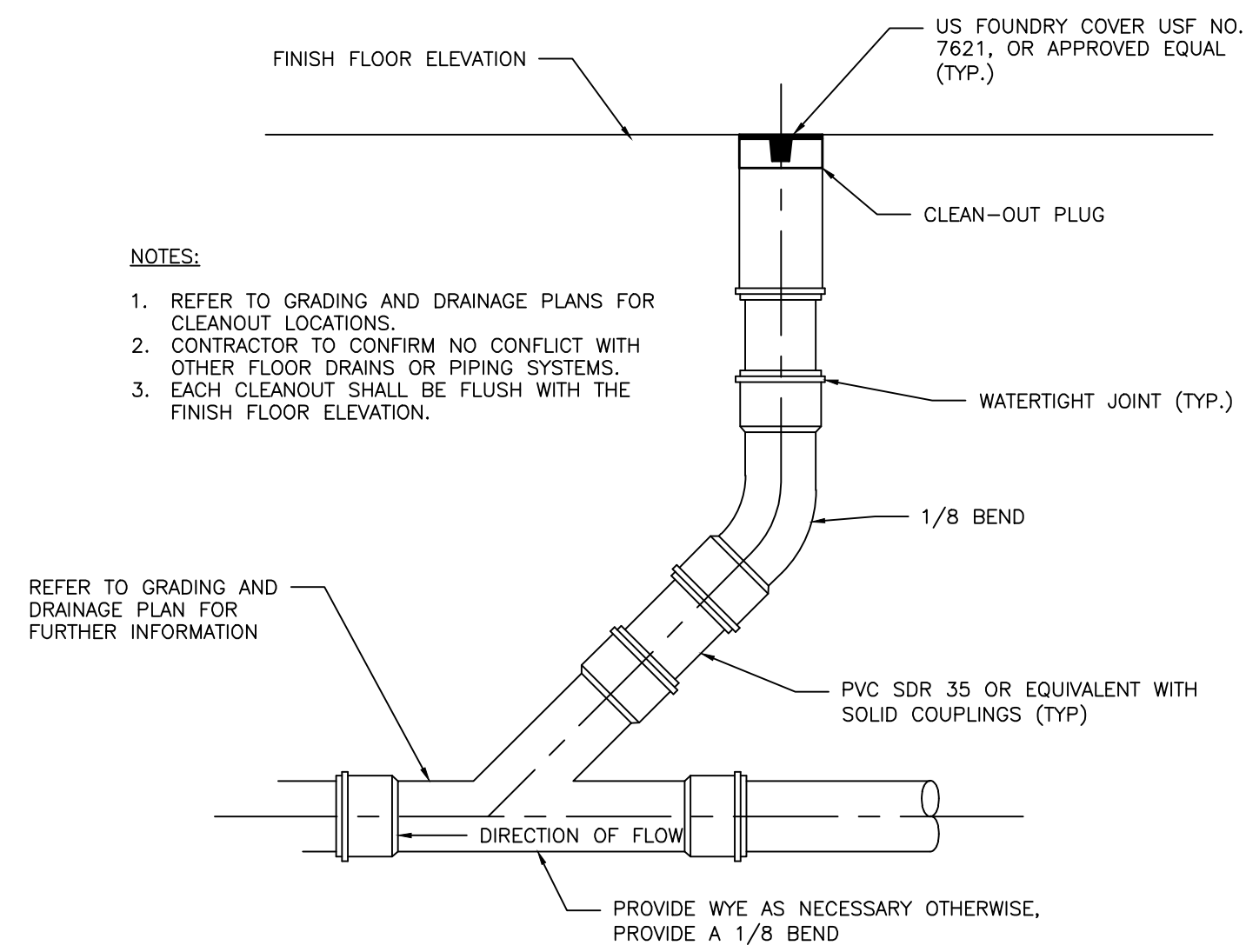
1. BRACING AND SHEETING OR OTHER TRENCH PROTECTION TO BE PROVIDED TO MEET APPLICABLE STATE AND O.S.H.A. SAFETY STANDARDS. ALL SUCH TRENCH PROTECTION TO BE THE RESPONSIBILITY OF THE CONTRACTOR.
2. STORM DRAIN COVER BETWEEN 2' AND 3' SHALL INCLUDE 4" OF RIGID INSULATION. COVER BETWEEN 3' AND 4' SHALL INCLUDE 2" RIGID INSULATION. OTHER UTILITIES: ADD 2" OF RIGID INSULATION FOR EACH FOOT ABOVE MINIMUM DEPTH.
3. INSTALL WARNING TAPE DIRECTLY ABOVE UTILITIES AT THE TOP OF SUBGRADE.
4. MINIMUM COVER
 - 4.1. 2'-0" - STORM DRAIN
 - 4.2. 5'-0" - SEWER
5. NO TREES SHALL BE PLANTED WITHIN 5' OF A SEWER PIPE OR SERVICE
6. THIS DETAIL SHALL BE APPLIED ONLY TO DRAINAGE PIPE TRENCHES OUTSIDE OF THE CITY OF PORTLAND ROW.
7. THICKNESS AS NOTED BY SURFACE DETAILS
8. ALL PROPOSED TREES PLANTED WITHIN 10' OF A STORM OR SEWER PIPE SHALL BE PLANTED AT A DEPTH NO GREATER THAN 3' DEEP. PERMEABLE LANDSCAPE FABRIC SHALL CREATE A ROOT BARRIER AROUND THE PIPES. CONTRACTOR SHALL COORDINATE WITH THE LANDSCAPE DRAWINGS.



NOTES:

1. BACKFLOW VALVE TO BE PROVIDED BY AGRI DRAIN CORPORATION OR AN APPROVED EQUAL.
2. VALVE TO BE INSTALLED TO MANUFACTURER'S SPECIFICATIONS AND COMPLY WITH RULES AND REGULATIONS AS OUTLINED IN SECTION 2 OF THE CITY OF PORTLAND TECHNICAL MANUAL.
3. VALVE SHALL BE INSTALLED WITH A VALVE BOX AND COVER TO PROVIDE EASY ACCESS AND MAINTENANCE; VALVE COVER SHALL STATE "SEWER" ON LID FLUSH TO SURFACE. REFER TO VALVE & BOX COVER DETAIL FOR ADDITIONAL INFORMATION.
4. CONCRETE COLLAR AT A MINIMUM 24-HOUR COMPRESSIVE STRENGTH OF 3,000 PSI.

BACKFLOW VALVE ASSEMBLY
NOT TO SCALE



- NOTES:**
1. REFER TO GRADING AND DRAINAGE PLANS FOR CLEANOUT LOCATIONS.
 2. CONTRACTOR TO CONFIRM NO CONFLICT WITH OTHER FLOOR DRAINS OR PIPING SYSTEMS.
 3. EACH CLEANOUT SHALL BE FLUSH WITH THE FINISH FLOOR ELEVATION.

CLEANOUT DETAIL
NOT TO SCALE

| | |
|--------------------|----------|
| ISSUED FOR | BY |
| LEVEL II SITE PLAN | WHS |
| | 10/03/18 |

UTILITY DETAILS - 2

WASHINGTON BATHS

AKASHA 155 LLC

PO BOX 11546, PORTLAND, ME 04104

DRAWING NAME:

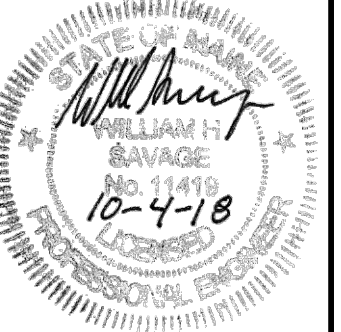
PROJECT NAME:

CLIENT:

A C O R N
ENGINEERING, INC.

158 BANKFOOT ST. PORTLAND, MAINE 04102
(207) 775-2655

| | |
|--------------|--------------|
| FILE: | 1108_DETAILS |
| JN: | 1108 |
| SCALE: | NTS |
| DESIGNED BY: | SJL |
| DRAWN BY: | FRT |
| CHECKED BY: | WHS |



DRAWING NO.
C-43