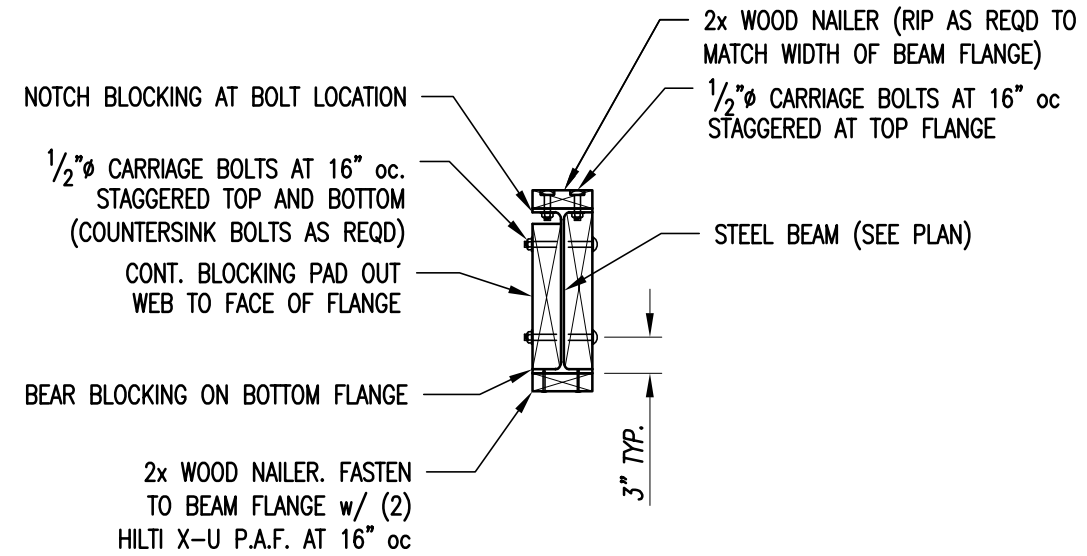


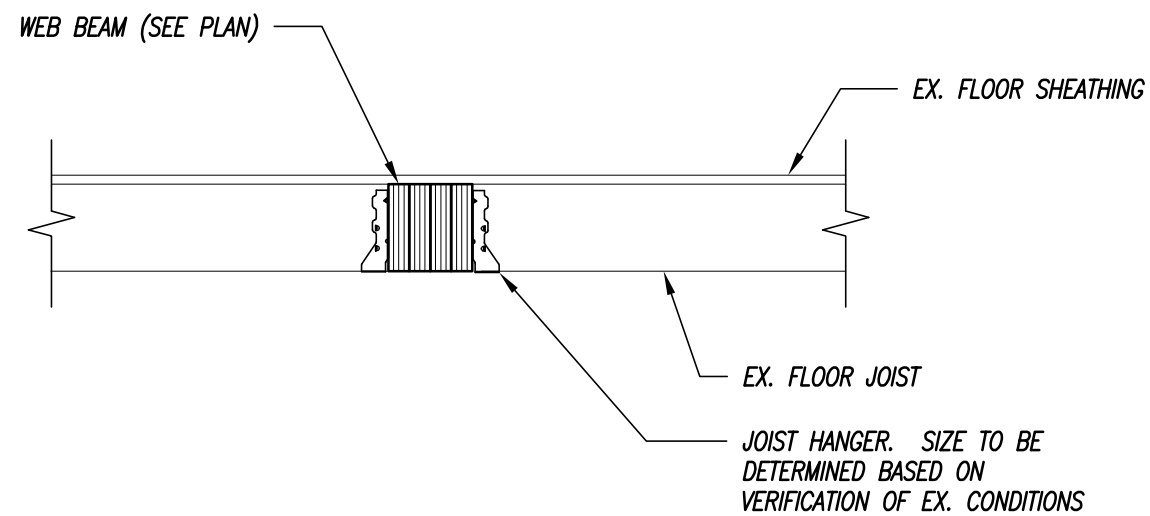
SECTION

3/4" = 1'-0"



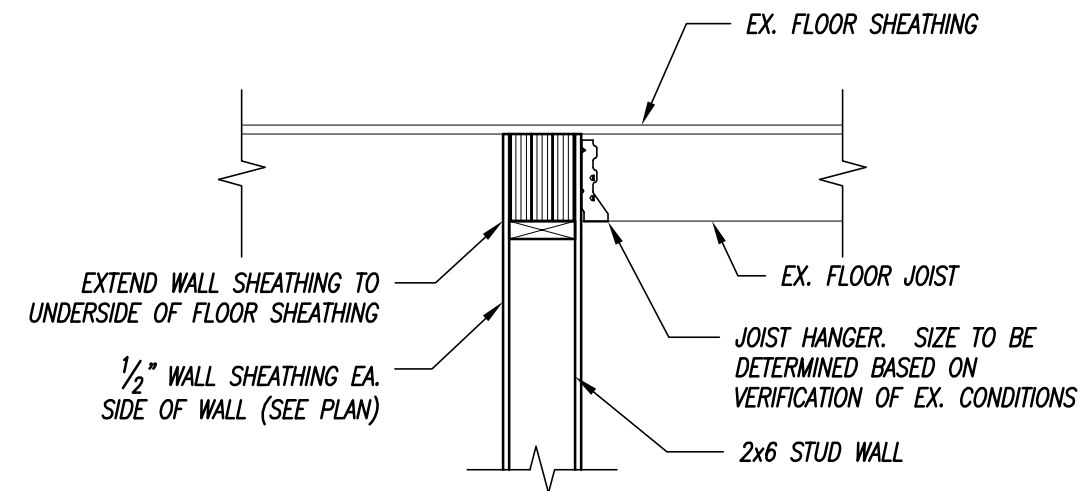
TYPICAL NAILER/WEB BLOCKING DETAIL

3/4" = 1'-0"



SECTION

3/4" = 1'-0"



SECTION

3/4" = 1'-0"

ISSUED FOR PERMIT REVIEW
NOT FOR CONSTRUCTION.

Drawn:	MJM
Checked:	MJM
Scale:	AS NOTED
Date:	04/07/2014
RENOVATIONS TO 89 WALNUT STREET PORTLAND, MAINE	
Sheet Title:	SECOND FLOOR FRAMING PLAN

LAURA BALLADUR
89 WALNUT STREET
PORTLAND, ME

M² Structural Engineering P.C.
23 Thornbury Way
Windham, ME 04062
(207) 892-0983

Sheet:

S4

Sheet 4 of 4

Project No.: 14016