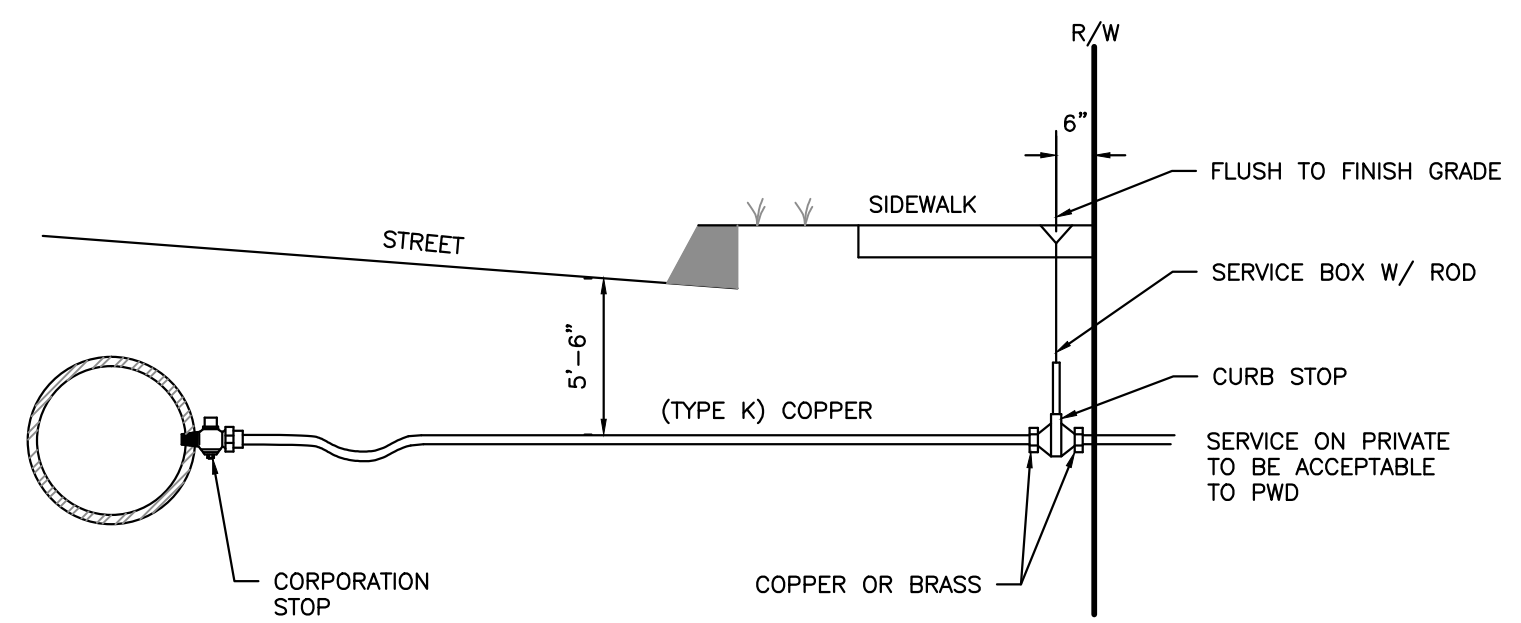
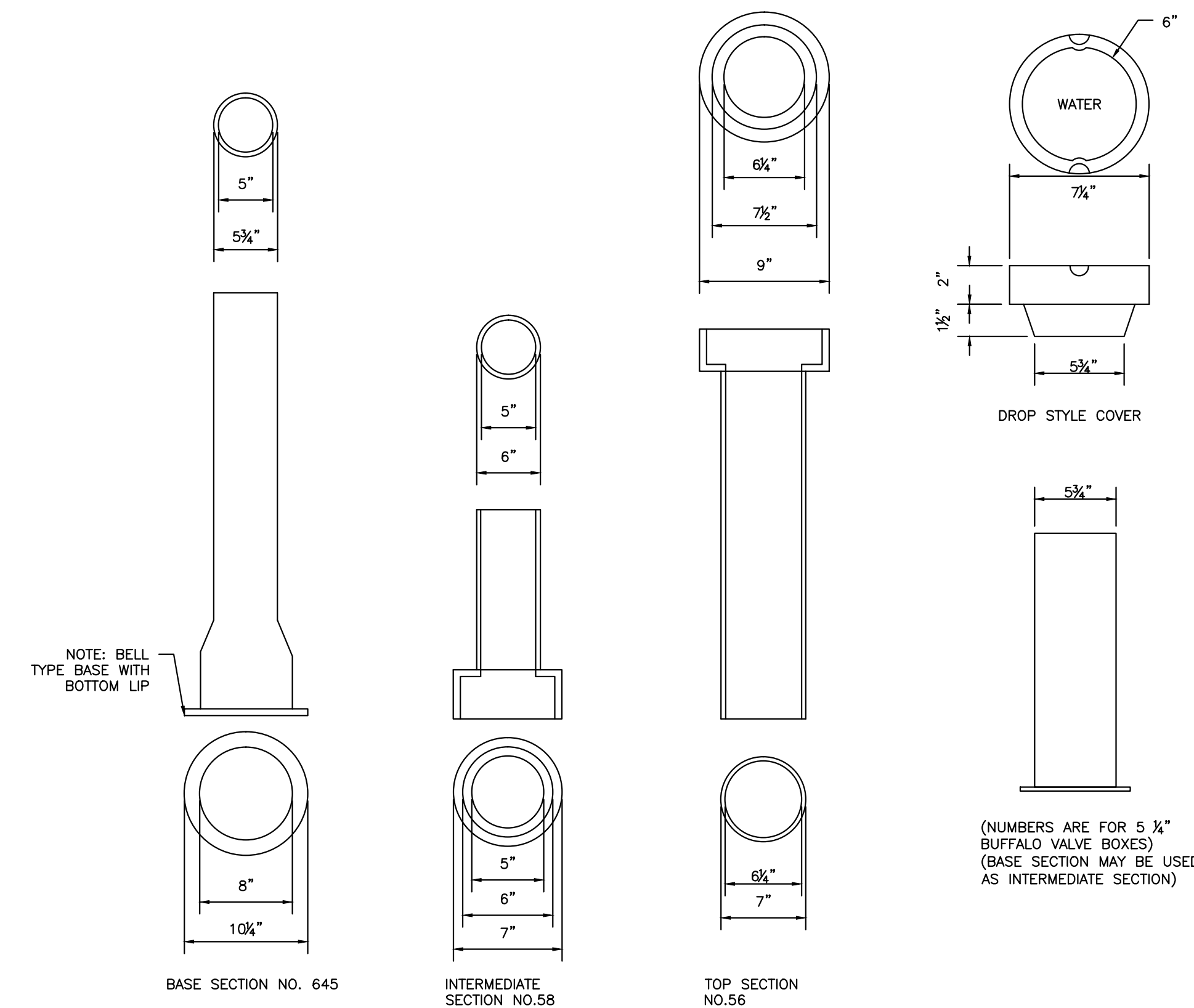


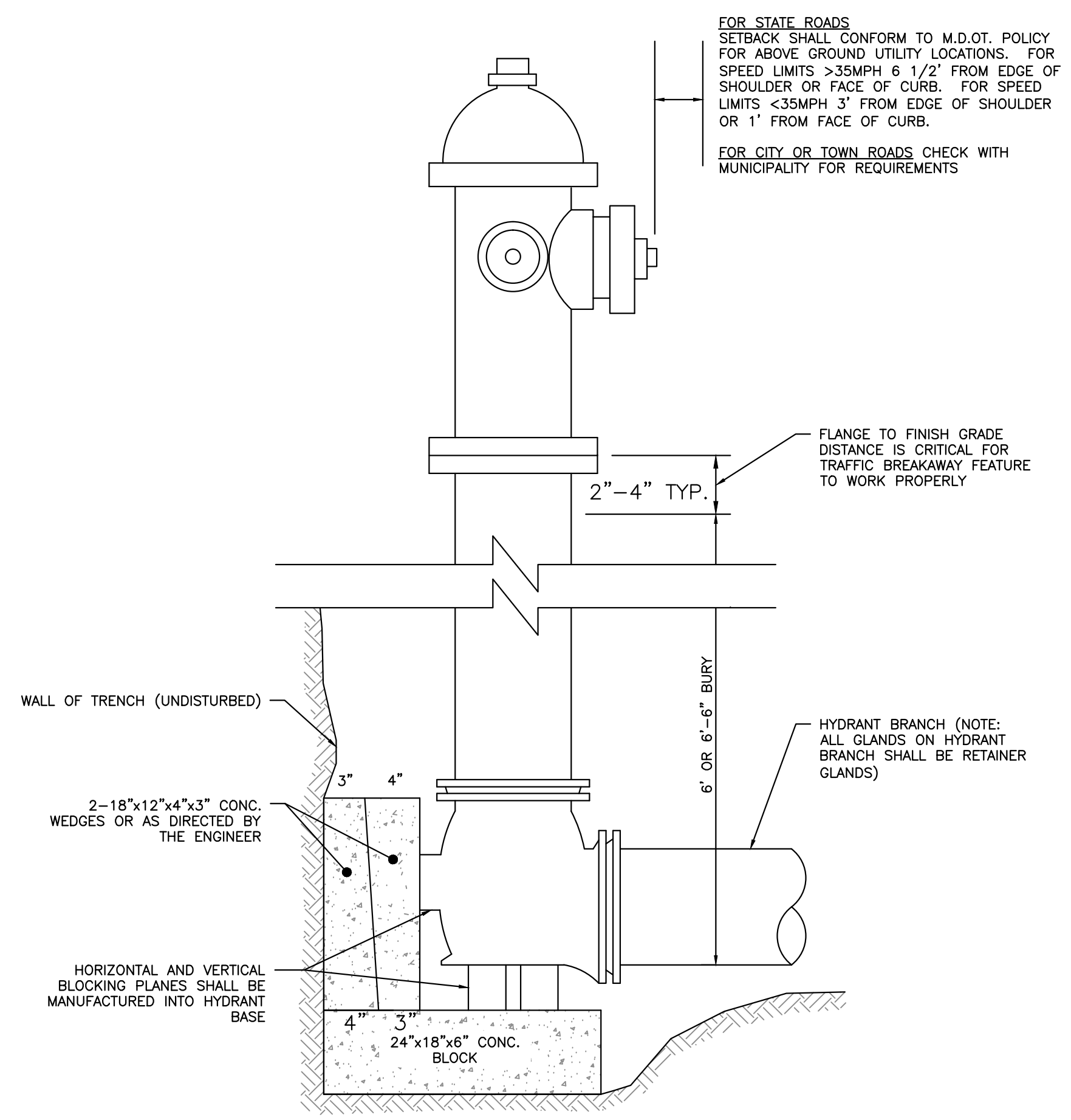
SERVICE TAP
(3/4" AND 1" C.C. THREAD)



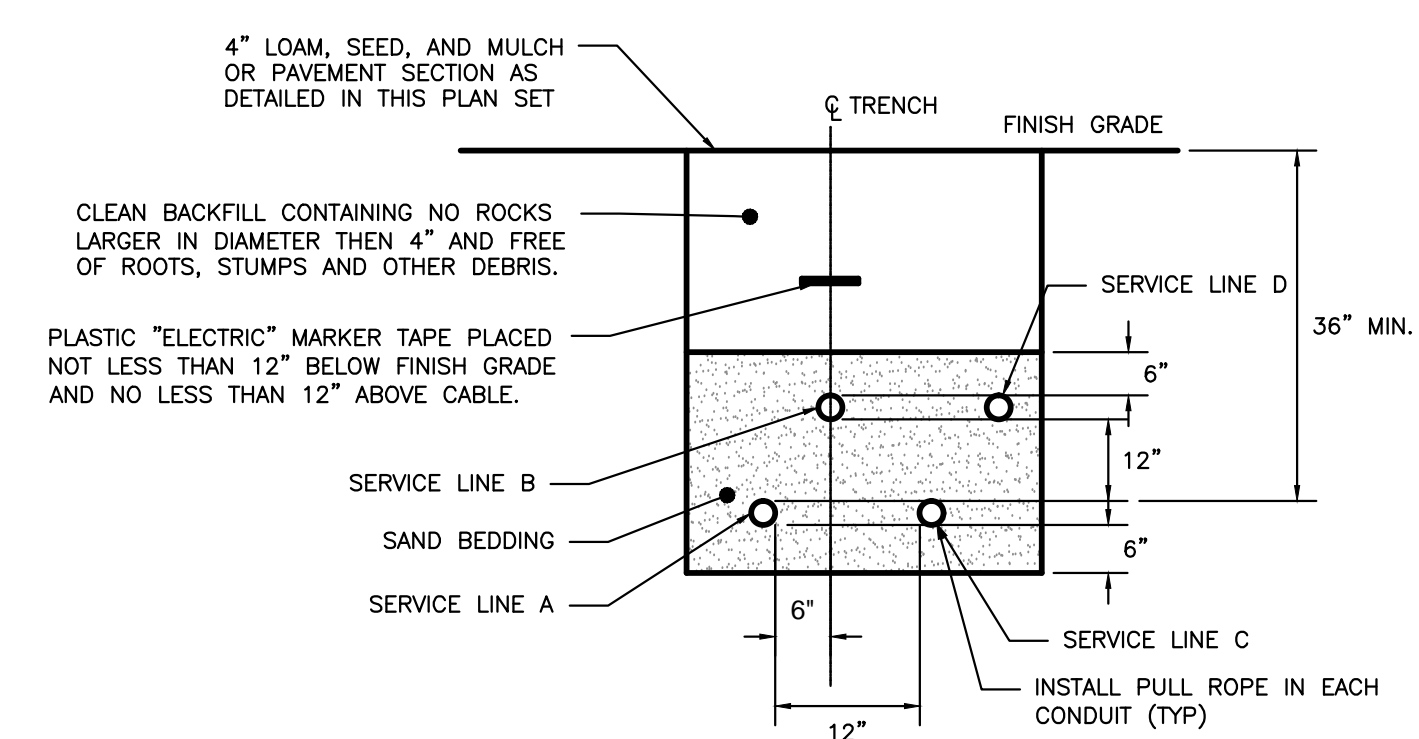
TYPICAL SERVICE CONNECTION
N.T.S.



VALVE BOX & COVER
N.T.S.



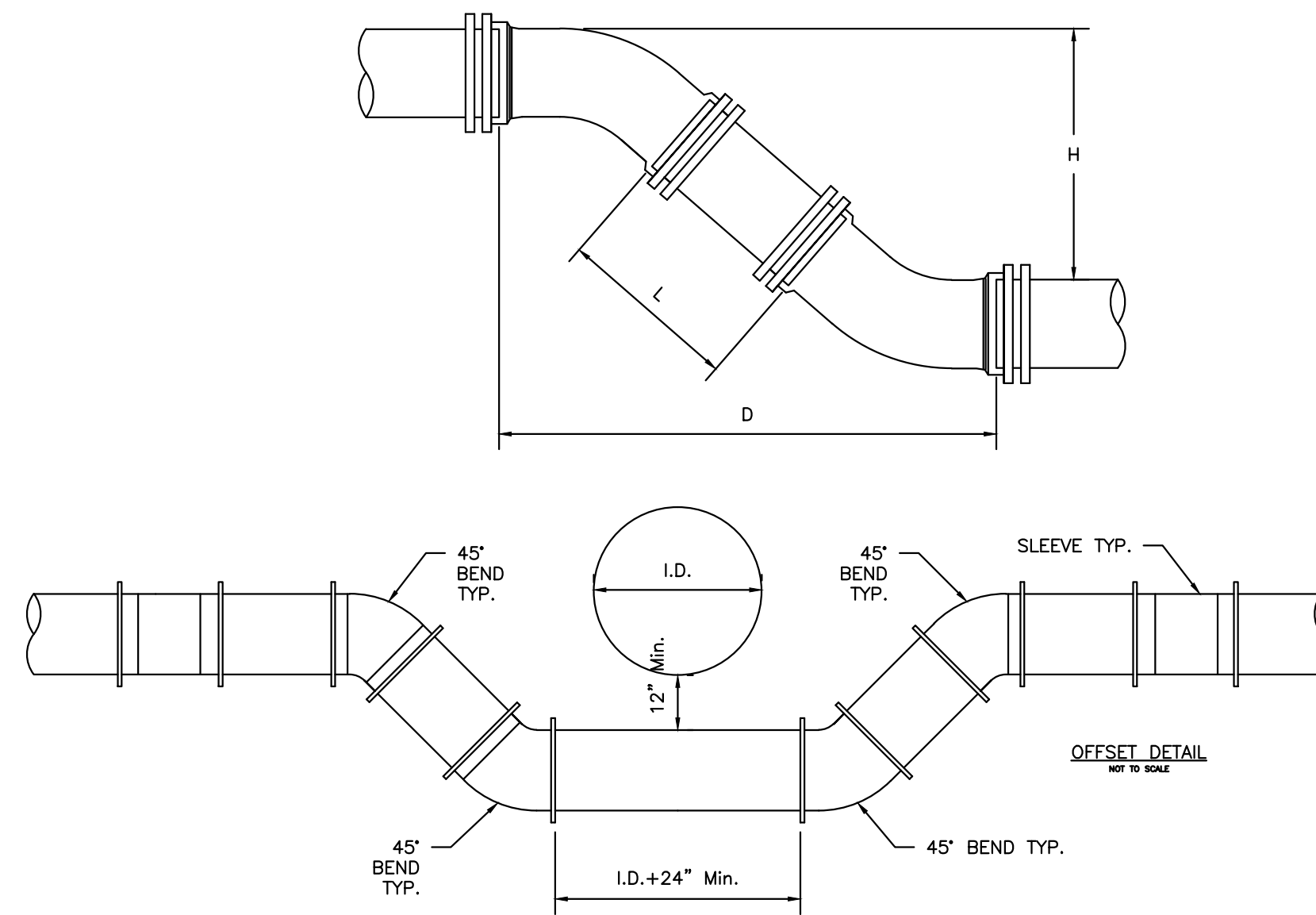
TYPICAL HYDRANT INSTALLATION DETAIL



SERVICE	CONDUIT SIZE	CONDUIT TYPE	GRASS AND PAVED AREAS	UTILITY	REMARKS
A	2-5"	SCHEDULE 40 PVC ELECTRICAL GRADE		PRIMARY POWER	SEE NOTE 1
B	2-4"	SCHEDULE 40 PVC ELECTRICAL GRADE		COMMUNICATION	-
C	2-4"	SCHEDULE 40 PVC ELECTRICAL GRADE		SPARE	IF REQUIRED
D	2-4"	SCHEDULE 40 PVC ELECTRICAL GRADE		CABLE	-

NOTE:
1. ONE CONDUIT CAPPED FOR SPARE, PROVIDE GALVANIZED STEEL LONG SWEEP AT RISER POLE AND EXTEND GALVANIZED CONDUIT TO 10" ABOVE GRADE AT POLE WITH STAND-OFF BRACKETS.
2. MINIMUM SEPARATION OF 24 INCHES BETWEEN PRIMARY CABLE/CONDUIT AND GAS LINES SHALL BE MAINTAINED.

UTILITY TRENCH - PRIMARY AND SECONDARY POWER, TELEPHONE, AND CABLE
NOT TO SCALE



NOTE: DIMENSIONS APPLICABLE FOR SIGMA COMPACT BENDS. FOR TYLER COMPACT BENDS, ADD 1/2" TO "D" DIMENSION AND SUBTRACT 1/2" FROM "L" DIMENSION. FOR OTHER FITTINGS REFER TO MANUFACTURER'S RECOMMENDATIONS.

TYPICAL MAIN OFFSET
NOT TO SCALE

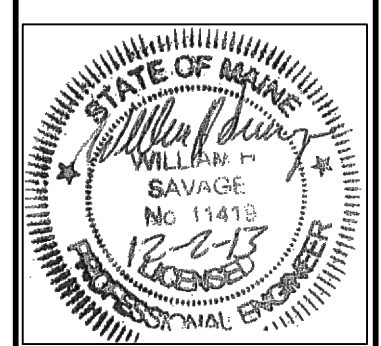
H	6" PIPE		8" PIPE		12" PIPE	
	D	L	D	L	D	L
12"	1' 6-1/2"	0' 10-1/2"	1' 7-1/2"	0' 9-1/2"	1' 11-1/2"	0' 5-1/2"
13"	1' 7-1/2"	0' 11-7/8"	1' 8-1/2"	0' 10-7/8"	2' 0-1/2"	0' 6-7/8"
14"	1' 8-1/2"	1' 1-5/16"	1' 9-1/2"	1' 0-5/16"	2' 1-1/2"	0' 8-5/16"
15"	1' 9-1/2"	1' 2-1/16"	1' 10-1/2"	1' 1-1/16"	2' 2-1/2"	0' 9-1/16"
16"	1' 10-1/2"	1' 4-1/8"	1' 11-1/2"	1' 3-1/8"	2' 3-1/2"	0' 11-1/8"
17"	1' 11-1/2"	1' 5-9/16"	2' 0-1/2"	1' 4-9/16"	2' 4-1/2"	1' 0-9/16"
18"	2' 0-1/2"	1' 6-15/16"	2' 1-1/2"	1' 5-15/16"	2' 5-1/2"	1' 1-15/16"
19"	2' 1-1/2"	1' 8-3/8"	2' 2-1/2"	1' 7-3/8"	2' 6-1/2"	1' 3-3/8"
20"	2' 2-1/2"	1' 9-13/16"	2' 3-1/2"	1' 8-13/16"	2' 7-1/2"	1' 4-13/16"
21"	2' 3-1/2"	1' 11-3/16"	2' 4-1/2"	1' 10-3/16"	2' 8-1/2"	1' 6-3/16"
22"	2' 4-1/2"	2' 0-5/8"	2' 5-1/2"	1' 11-5/8"	2' 9-1/2"	1' 7-5/8"
23"	2' 5-1/2"	2' 2"	2' 6-1/2"	2' 1"	2' 10-1/2"	1' 9"
24"	2' 6-1/2"	2' 3-7/16"	2' 7-1/2"	2' 2-7/16"	2' 11-1/2"	1' 10-7/16"
25"	2' 7-1/2"	2' 4-7/8"	2' 8-1/2"	2' 3-7/8"	3' 0-1/2"	1' 11-7/8"
26"	2' 8-1/2"	2' 6-1/4"	2' 9-1/2"	2' 5-1/4"	3' 1-1/2"	2' 1-1/4"
27"	2' 9-1/2"	2' 7-11/16"	2' 10-1/2"	2' 6-11/16"	3' 2-1/2"	2' 2-11/16"
28"	2' 10-1/2"	2' 9-1/8"	2' 11-1/2"	2' 8-1/8"	3' 3-1/2"	2' 4-1/8"
29"	2' 11-1/2"	2' 10-1/2"	3' 0-1/2"	2' 9-1/2"	3' 4-1/2"	2' 5-1/2"
30"	3' 0-1/2"	2' 11-15/16"	3' 1-1/2"	2' 10-15/16"	3' 5-1/2"	2' 6-15/16"
31"	3' 1-1/2"	3' 1-5/16"	3' 2-1/2"	3' 0-5/16"	3' 6-1/2"	2' 8-5/16"
32"	3' 2-1/2"	3' 2-3/4"	3' 3-1/2"	3' 1-3/4"	3' 7-1/2"	2' 9-3/4"
33"	3' 3-1/2"	3' 4-3/16"	3' 4-1/2"	3' 3-1/16"	3' 8-1/2"	2' 11-3/16"
34"	3' 4-1/2"	3' 5-9/16"	3' 5-1/2"	3' 4-9/16"	3' 9-1/2"	3' 0-9/16"
35"	3' 5-1/2"	3' 6-5/8"	3' 6-1/2"	3' 5-5/8"	3' 10-1/2"	3' 1-5/8"
36"	3' 6-1/2"	3' 8-7/16"	3' 7-1/2"	3' 7-7/16"	3' 11-1/2"	3' 3-7/16"
37"	3' 7-1/2"	3' 9-13/16"	3' 8-1/2"	3' 8-13/16"	4' 0-1/2"	3' 4-13/16"
38"	3' 8-1/2"	3' 11-1/4"	3' 9-1/2"	3' 10-1/4"	4' 1-1/2"	3' 6-1/4"
39"	3' 9-1/2"	4' 0-1/16"	3' 10-1/2"	3' 11-1/16"	4' 2-1/2"	3' 7-11/16"
40"	3' 10-1/2"	4' 2-1/16"	3' 11-1/2"	4' 1-1/16"	4' 3-1/2"	3' 9-1/16"
41"	3' 11-1/2"	4' 4-3/16"	4' 0-1/2"	4' 2-1/2"	4' 4-1/2"	3' 10-1/2"
42"	4' 0-1/2"	4' 4-7/8"	4' 1-1/2"	4' 3-7/8"	4' 5-1/2"	3' 11-7/8"
43"	4' 1-1/2"	4' 5-5/8"	4' 2-1/2"	4' 5-5/8"	4' 6-1/2"	4' 1-5/8"
44"	4' 2-1/2"	4' 7-3/4"	4' 3-1/2"	4' 6-3/4"	4' 7-1/2"	4' 2-3/4"
45"	4' 3-1/2"	4' 9-1/8"	4' 4-1/2"	4' 8-1/8"	4' 8-1/2"	4' 4-1/8"
46"	4' 4-1/2"	4' 10-9/16"	4' 5-1/2"	4' 9-9/16"	4' 9-1/2"	4' 5-9/16"
47"	4' 5-1/2"	4' 11-15/16"	4' 6-1/2"	4' 10-15/16"	4' 10-1/2"	4' 6-15/16"
48"	4' 6-1/2"	5' 1-3/8"	4' 7-1/2"	5' 0-3/8"	4' 11-1/2"	4' 8-3/8"
49"	4' 7-1/2"	5' 2-13/16"	4' 8-1/2"	5' 1-13/16"	5' 0-1/2"	4' 9-13/16"
50"	4' 8-1/2"	5' 4-3/16"	4' 9-1/2"	5' 3-3/16"	5' 1-1/2"	4' 11-3/16"
51"	4' 9-1/2"	5' 5-5/8"	4' 10-1/2"	5' 4-5/8"	5' 2-1/2"	5' 0-5/8"
52"	4' 10-1/2"	5' 7-1/8"	4' 11-1/2"	5' 6-1/8"	5' 3-1/2"	5' 2-1/8"
53"	4' 11-1/2"	5' 8-7/16"	5' 0-1/2"	5' 7-7/16"	5' 4-1/2"	5' 3-7/16"
54"	5' 0-1/2"	5' 9-7/8"	5' 1-1/2"	5' 8-7/8"	5' 5-1/2"	5' 4-7/8"
55"	5' 1-1/2"	5' 11-5/16"	5' 2-1/2"	5' 10-5/16"	5' 6-1/2"	5' 6-5/16"

ISSUED FOR	BY
CITY SUBMISSION	WHS
FINAL SUBMISSION	WHS

REVISION	REV. DATE	WHS
REV. STANDARD DETAIL	12/2/13	WHS
STAFF COMMENTS	12/8/13	WHS

DRAWING NAME: **PORTLAND WATER DISTRICT DETAILS - 1**
PROJECT NAME: **MUNJOY HEIGHTS**
CLIENT: **REDFERN MUNJOY, LLC.**
P.O. BOX 8816, PORTLAND, MAINE 04104

ACORN ENGINEERING, INC.
P.O. BOX 3372 PORTLAND, MAINE 04104
(207) 775-2655



DRAWING NO. **C-44**

PERMIT DRAWINGS
NOT FOR CONSTRUCTION