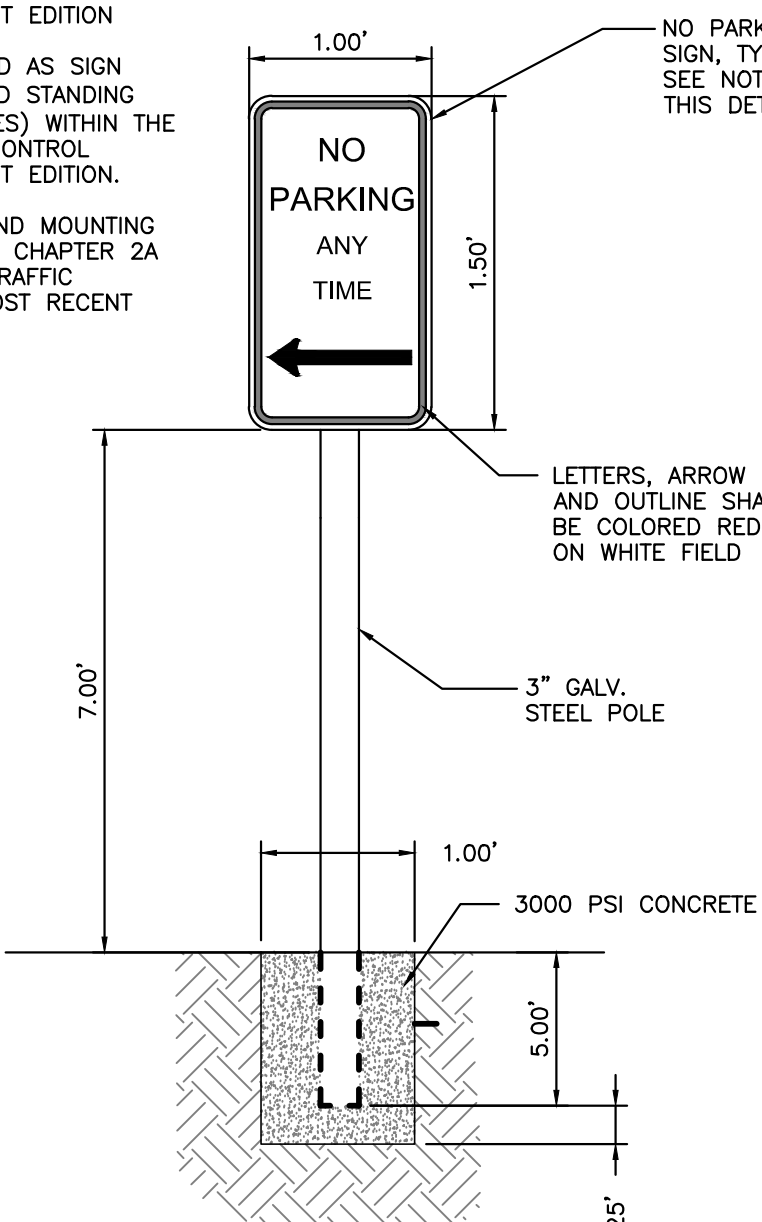


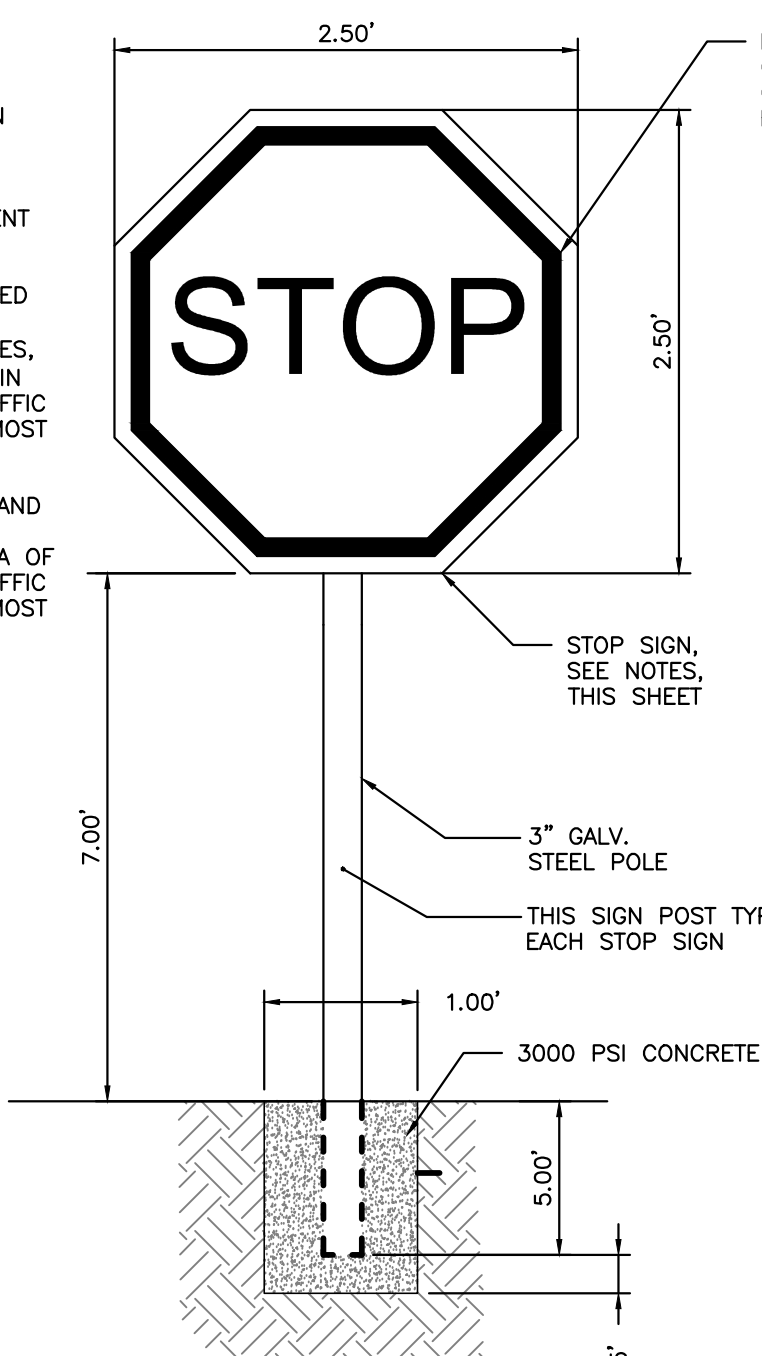
**DRIVEWAY APRON LAYOUT DETAIL**  
NOT TO SCALE

- NOTES:**
1. REFER TO GRADING, DRAINAGE AND EROSION CONTROL PLAN FOR SITE GRADING.
  2. THE DRIVEWAY APRON SHALL BE CONSTRUCTED IN ACCORDANCE WITH THE CITY OF PORTLAND TECHNICAL STANDARDS. SEE NOTE 4.
  3. REFER SIDEWALK RAMP AT DRIVEWAY DETAIL.
  4. MATERIALS/DETAILS OF DRIVEWAY APRON TO BE APPROVED BY THE CITY (DPS & PLANNING) PRIOR TO IMPLEMENTATION.

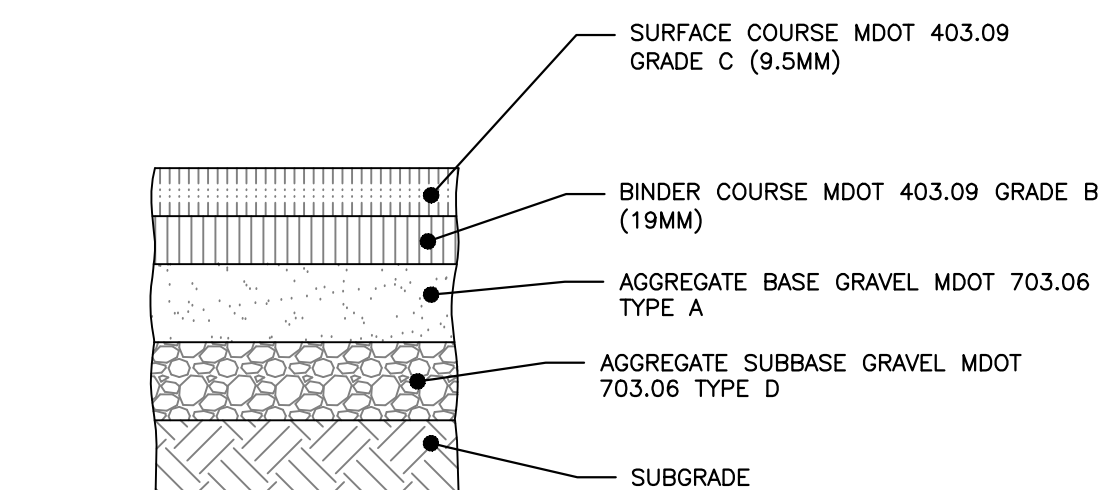


**NO PARKING DETAIL**  
NOT TO SCALE

- NOTES:**
1. ALL ASPECTS OF STOP SIGN CONSTRUCTION SHALL BE IN ACCORDANCE WITH MANUAL ON UNIFORM TRAFFIC CONTROL DEVICES, 2009 OR MOST RECENT EDITION.
  2. SIGN SHALL BE CONSTRUCTED AS SIGN R1-1 UNDER THE "REGULATORY SIGNS, BARRICADES, AND GATES" (R1 SERIES) WITHIN THE MANUAL ON UNIFORM TRAFFIC CONTROL DEVICES, 2009 OR MOST RECENT EDITION.
  3. SIGN POST CONSTRUCTION AND MOUNTING SHALL BE IN ACCORDANCE WITH CHAPTER 2A OF THE MANUAL ON UNIFORM TRAFFIC CONTROL DEVICES, 2009 OR MOST RECENT EDITION.



**STOP SIGN DETAIL**  
NOT TO SCALE

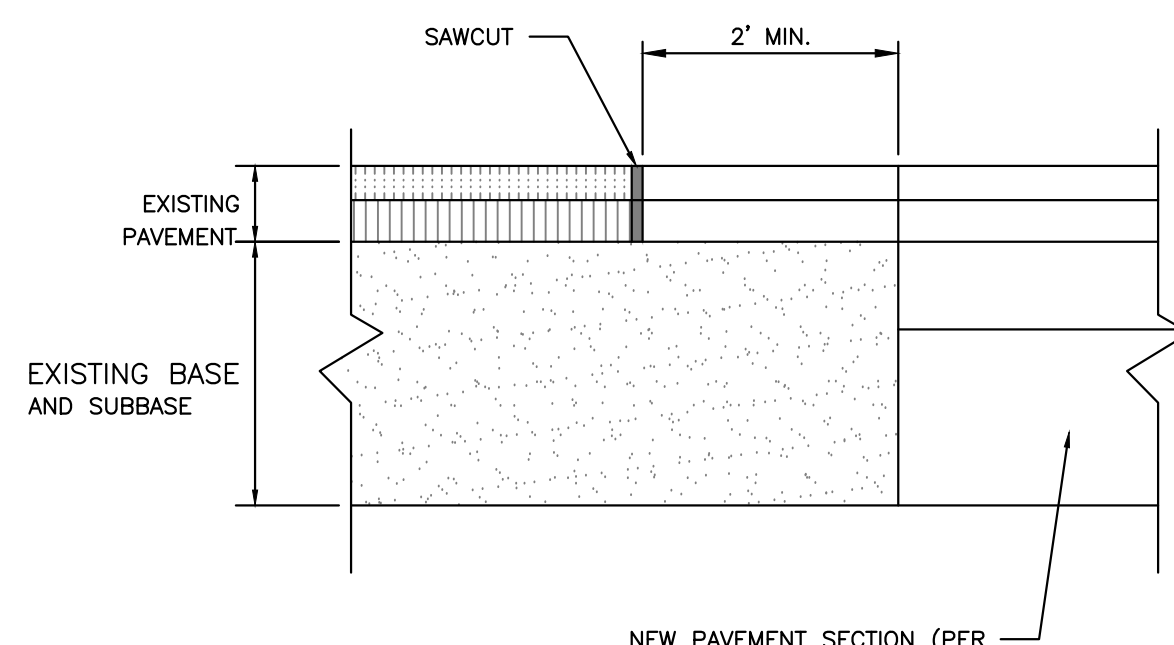


**NOTE:**  
1. COMPACT SUBGRADE TO 95% MAXIMUM DRY DENSITY IN ACCORDANCE WITH ASTM D-1557

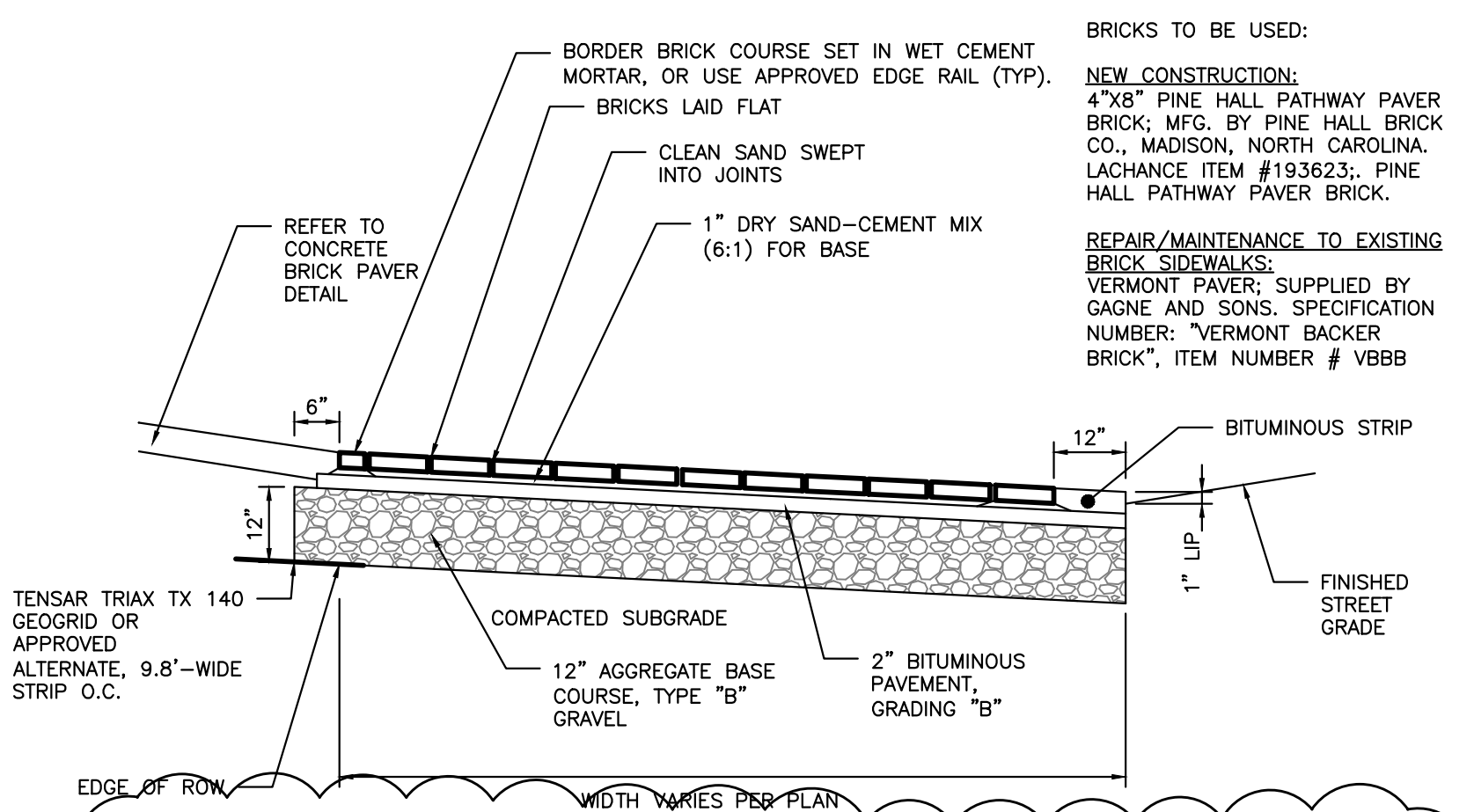
THICKNESS OF LAYERS	
STANDARD	LAYERS
2"	SURFACE COURSE MDOT 403.09 GRADE C (12.5mm)
3"	BINDER COURSE MDOT 403.09 GRADE B (19mm)
6"	AGGREGATE BASE GRAVEL MDOT 703.06 TYPE B
18"	AGGREGATE SUBBASE GRAVEL MDOT 703.06 TYPE D

**CITY OF PORTLAND ARTERIAL BITUMINOUS PAVEMENT PROFILE**  
NOT TO SCALE

- NOTES:**
1. SAWCUT EXISTING PAVEMENT AND REMOVE 2" STRIP OF EXISTING PAVEMENT. APPLY BITUMINOUS TACK COAT PRIOR TO PLACEMENT OF NEW BITUMINOUS PAVEMENT.
  2. THE NEW PAVEMENT SECTION SHALL MEET THE CITY OF PORTLAND ARTERIAL BITUMINOUS PAVEMENT SECTION DETAIL AT A MINIMUM OR THE THE EXISTING PAVEMENT AND AGGREGATE BASE AND SUBBASE DEPTH WHICHEVER IS GREATER.

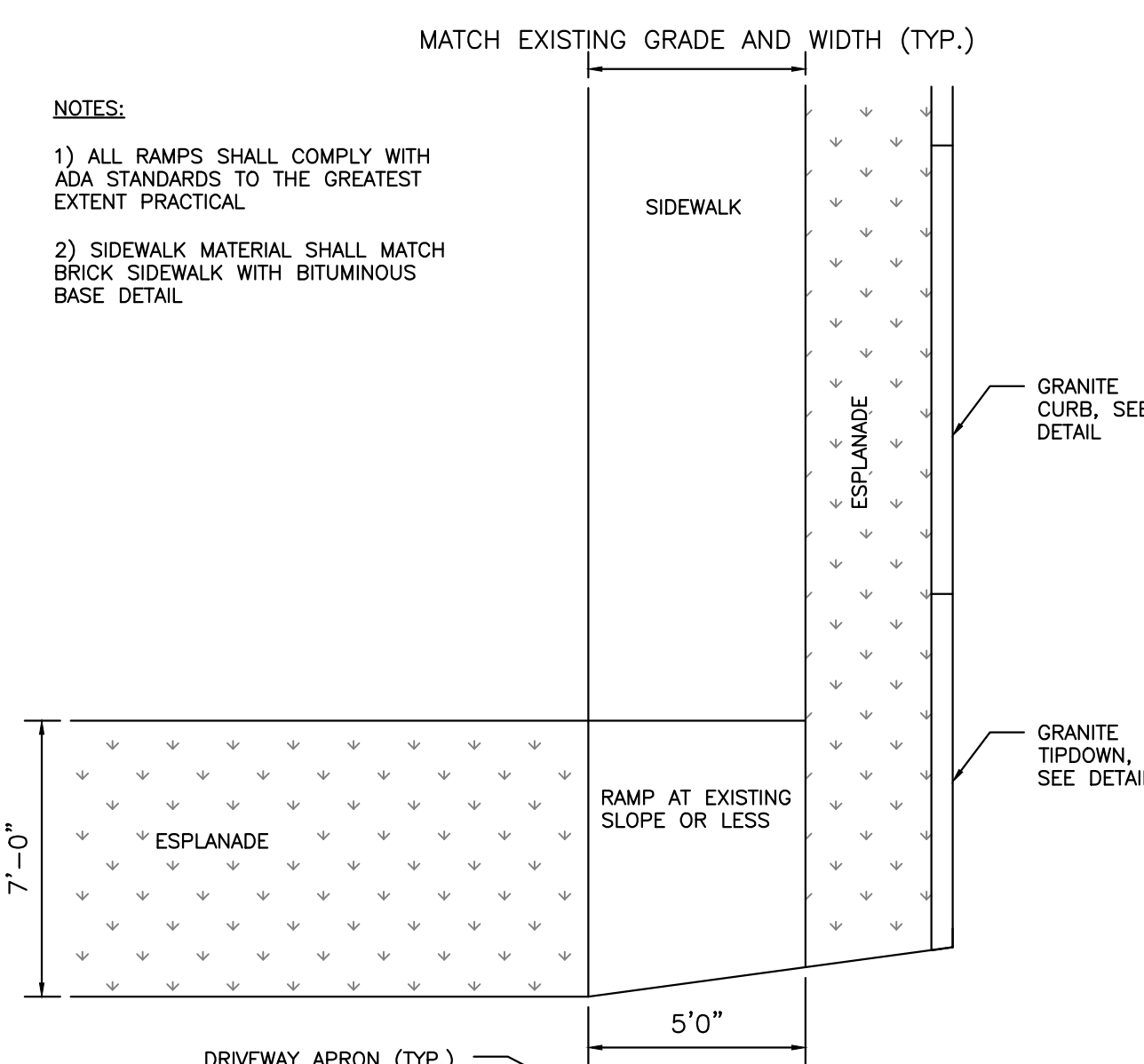


**PAVEMENT SAWCUT DETAIL**  
NOT TO SCALE



**BRICK DRIVEWAY APRON WITH BITUMINOUS BASE DETAIL**  
NOT TO SCALE

- BRICKS TO BE USED:**
- NEW CONSTRUCTION:**  
4"x8" PINE HALL PATHWAY PAVER BRICK; MFG. BY PINE HALL BRICK CO., MADISON, NORTH CAROLINA. LACHANCE ITEM #193623; PINE HALL PATHWAY PAVER BRICK.
- REPAIR/MAINTENANCE TO EXISTING BRICK SIDEWALKS:**  
VERMONT PAVES; SUPPLIED BY GAGNE AND SONS. SPECIFICATION NUMBER: "VERMONT BACKER BRICK" ITEM NUMBER # VBBB



**SIDEWALK RAMP AT DRIVEWAY**  
NOT TO SCALE

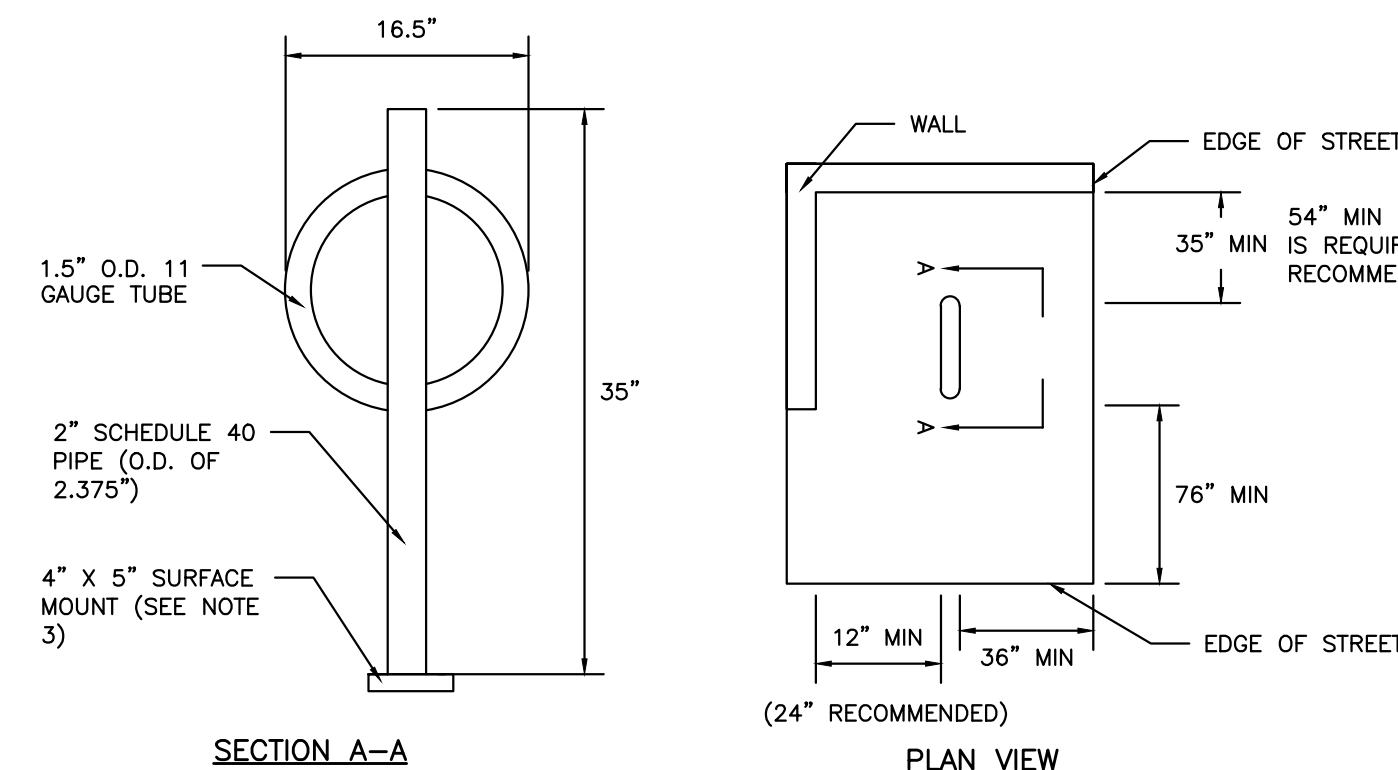
- NOTE:**  
1. COMPACT AGGREGATE MATERIALS AND SUBGRADE TO 95% MAXIMUM DRY DENSITY IN ACCORDANCE WITH ASTM D-1557

THICKNESS OF LAYERS	
STANDARD	LAYERS
2-3/4"	CONCRETE PAVER (DEPTH TBD BASED UPON THE MANUFACTURER)
4"	AGGREGATE BASE SAND MDOT 703.05
15"	AGGREGATE SUBBASE GRAVEL MDOT 703.06 TYPE D

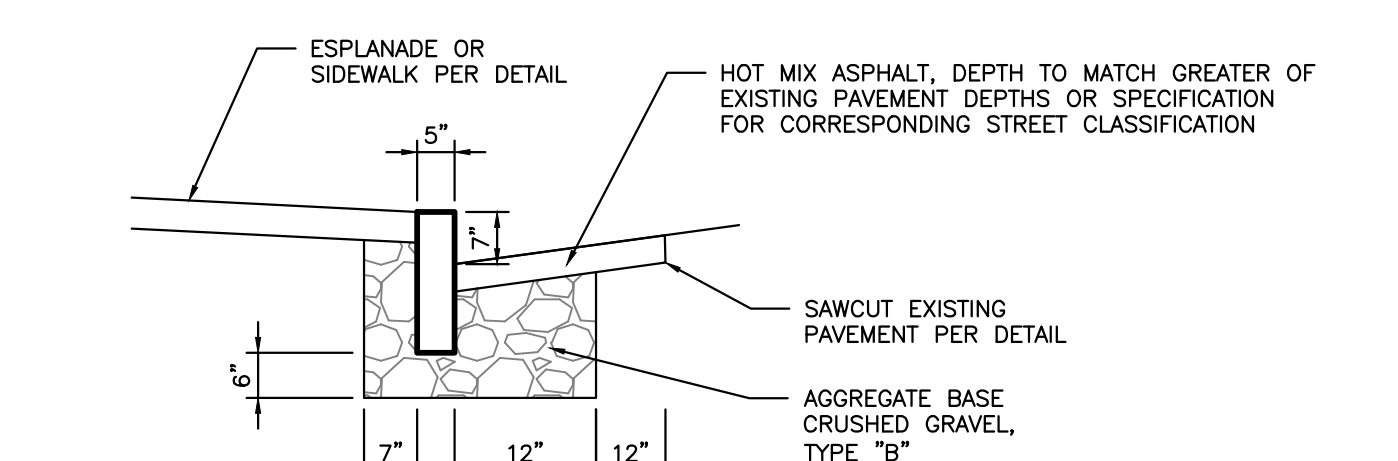
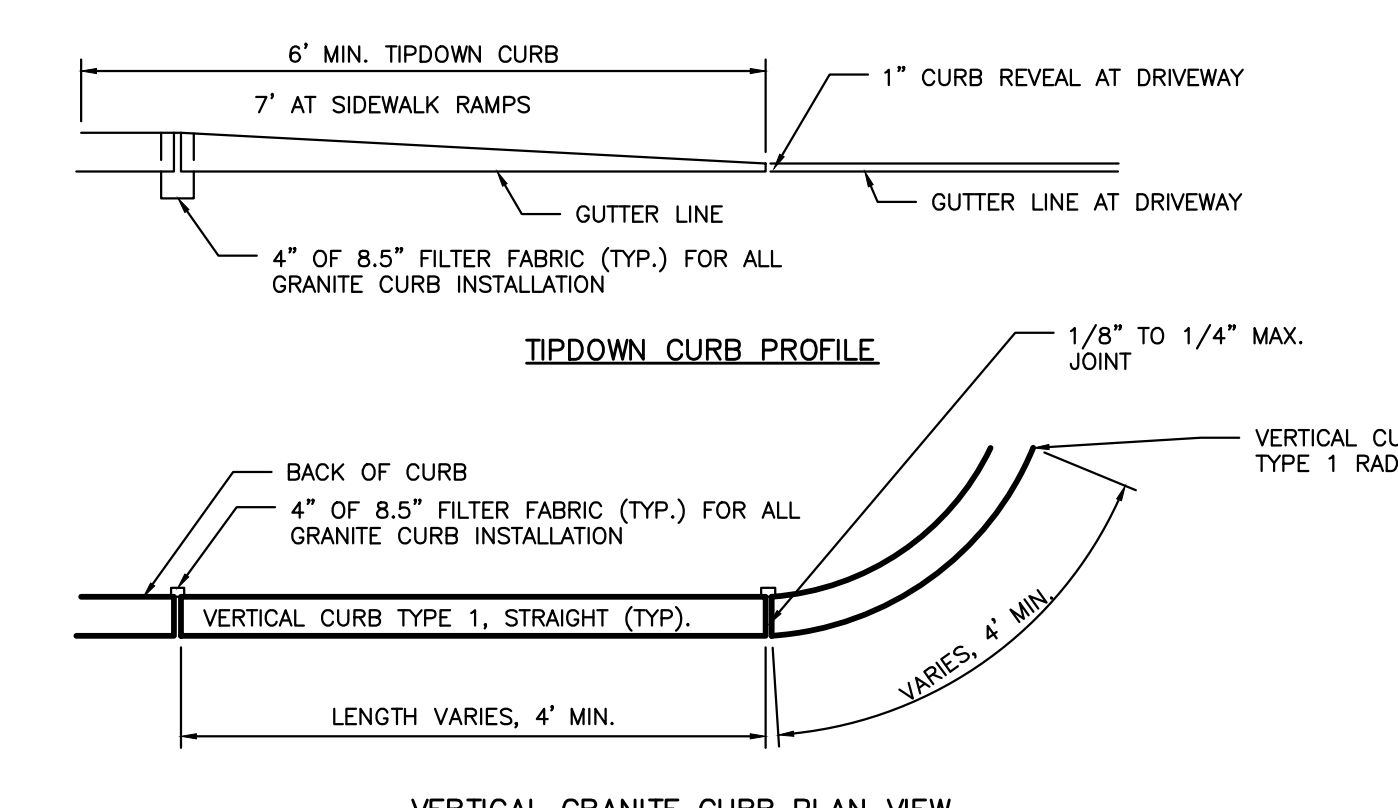
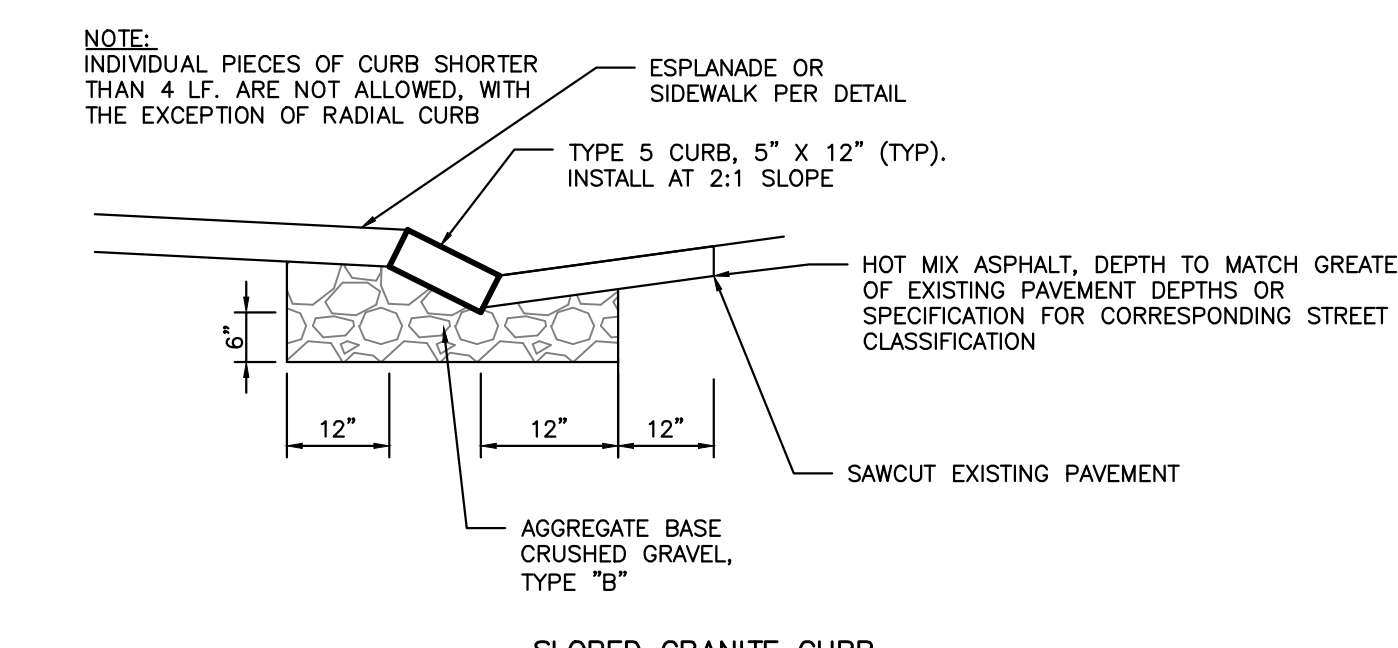
**CONCRETE BRICK PAVER PROFILE**  
NOT TO SCALE

- NOTES:**
- 1) ALL RAMP SHALL COMPLY WITH ADA STANDARDS TO THE GREATEST EXTENT PRACTICAL.
  - 2) SIDEWALK MATERIAL SHALL MATCH BRICK SIDEWALK WITH BITUMINOUS BASE DETAIL.

- NOTES:**
- 1) BICYCLE RACK SHALL HAVE CAPACITY FOR TWO BICYCLES.
  - 2) BICYCLE RACK PARTS SHALL BE OF UNIFORM COLOR AND SHALL BE FINISHED IN ACCORDANCE WITH PRODUCT SPECIFICATION.
  - 3) BICYCLE RACK SHALL BE INSTALLED IN ACCORDANCE WITH MANUFACTURER'S MOST RECENT INSTALLATION RECOMMENDATIONS, AND SHALL BE INSTALLED WITH A SURFACE MOUNT UNLESS OTHERWISE APPROVED BY ENGINEER.
  - 4) BICYCLE RACK SHALL BE "DERO BIKE HITCH", AS MANUFACTURED BY DERO BIKE RACKS.
  - 5) MINIMUM OFFSETS SHOWN. MANUFACTURER'S RECOMMENDED OFFSETS SHALL BE ENFORCED WHERE POSSIBLE.
  - 6) MINIMUM DISTANCE BETWEEN BICYCLE RACKS SHALL BE 24". RECOMMENDED DISTANCE BETWEEN BICYCLE RACKS SHALL BE 38".
  - 7) ALL OFFSETS ARE FROM OUTSIDE EDGES OF ITEMS.



**BICYCLE RACK DETAIL**  
NOT TO SCALE



**VERTICAL GRANITE CURB INSTALLATION IN EXISTING STREETS DETAIL**  
NOT TO SCALE

ISSUED FOR CONSTRUCTION

ISSUED FOR CONSTRUCTION

WORKSHOP #2: 11/12/13  
FINAL SUBMISSION: 12/22/13  
MAINE DEP MCGP: 12/16/13  
CONDITIONS APPROVAL: 1/7/14  
CONSTRUCTION: 2/21/14

REVISION: REV. DATE: 12/22/13  
REV. STANDARD DETAIL: 12/22/13  
STAFF COMMENTS: 12/16/13  
APRON NOTE: 2/24/14

DRAWING NAME: SITE DETAILS  
PROJECT NAME: MUNJOY HEIGHTS  
CLIENT: REDFERN MUNJOY, LLC.  
P.O. BOX 8816, PORTLAND, MAINE 04104

ACORP ENGINEERING, INC.  
3322 PORTLAND, MAINE 04104  
(207) 775-2655

FILE # 47\_details 2-13-14.dwg  
DATE: 7/11/13  
JN: 302-001  
SCALE: NTS  
DESIGN BY: WHS  
DRAWN BY: ZRJ  
CHECKED BY: WHS

DRAWING NO. C-40