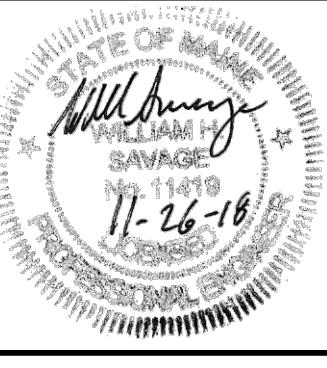


ISSUED FOR	BY
FINAL APP.	WHS
	DATE
	11/26/18

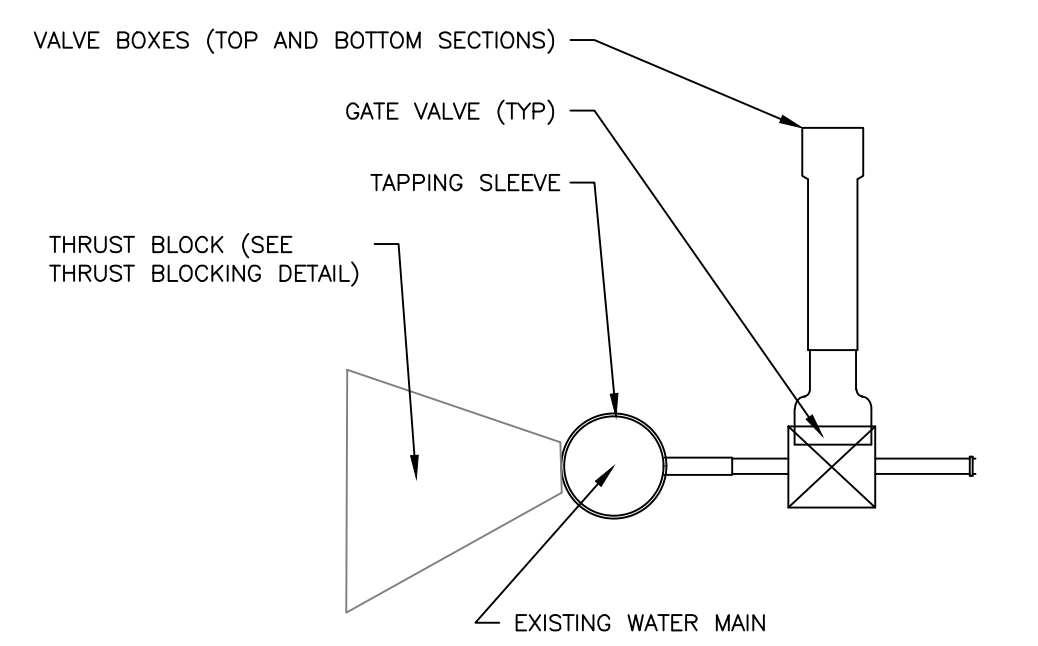
UTILITY DETAILS - 2  
 PROJECT NAME: HAMMOND HOUSE  
 CLIENT: THE PRESERVE AT SOUTH RIDGE, LLC  
 94 SOUTH STREET, YARMOUTH, ME 04096

ENGINEERING, INC.  
 A C O R N  
 65 HANOVER ST. PORTLAND, MAINE 04101  
 (207) 753-2655

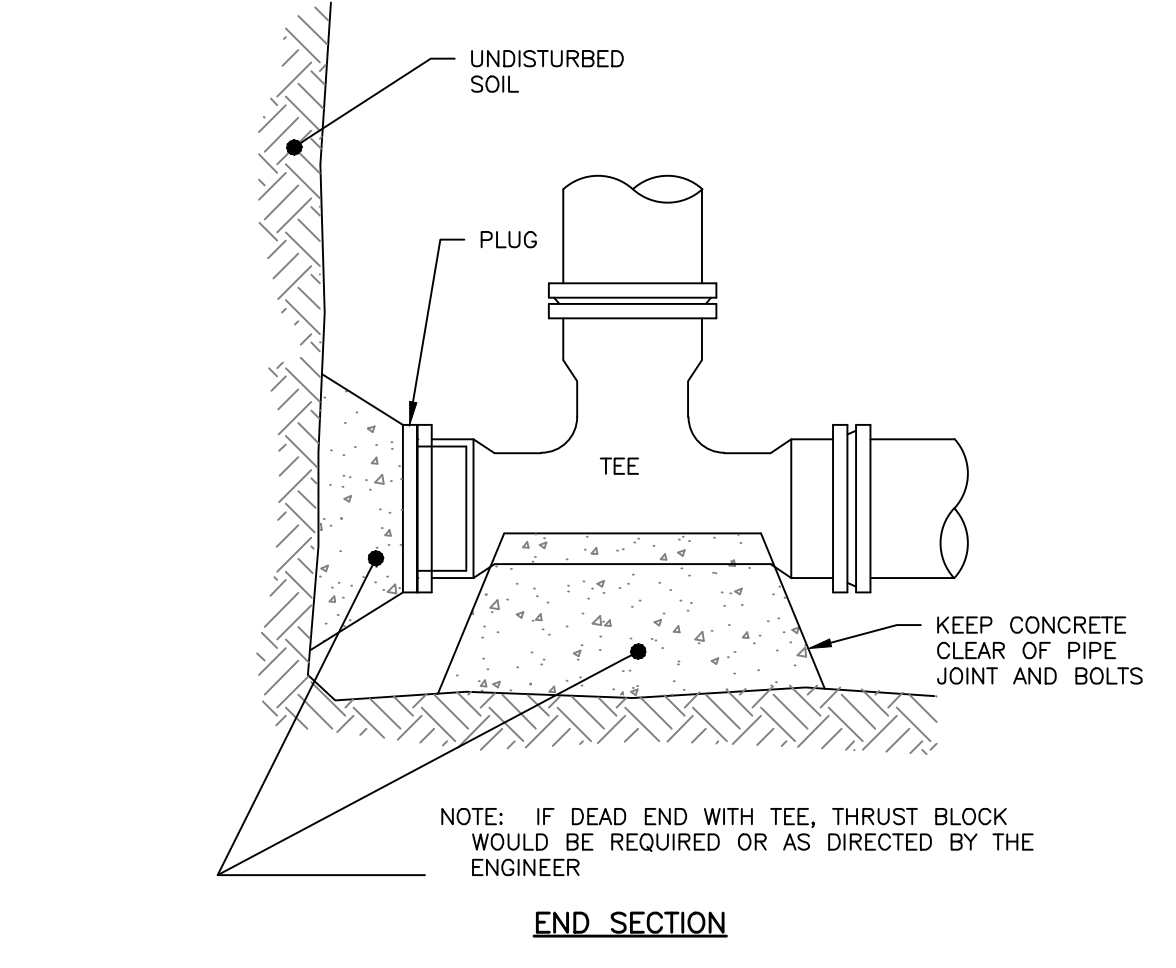
FILE: 1112\_CIVIL  
 JN: 1112  
 SCALE: NTS  
 DESIGNED BY: WHS  
 DRAWN BY: EKK  
 CHECKED BY: WHS



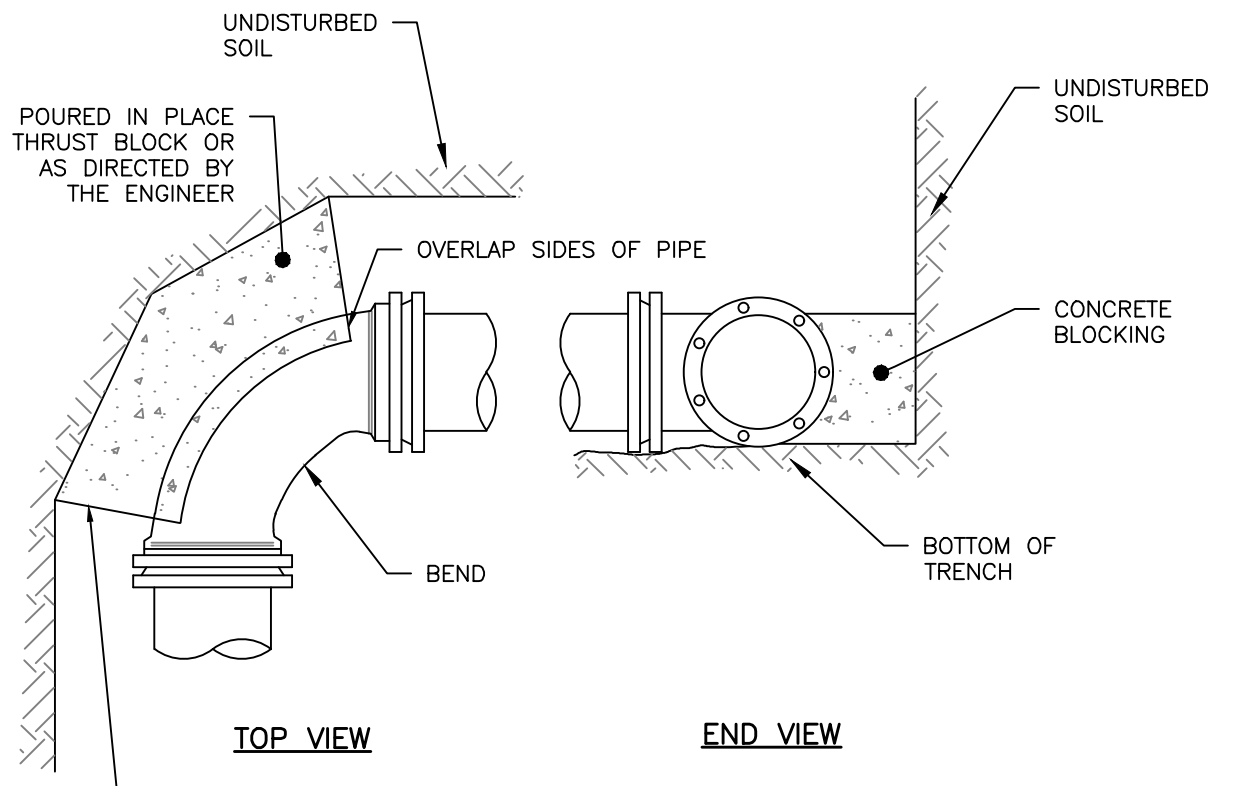
DRAWING NO.  
**C-44**



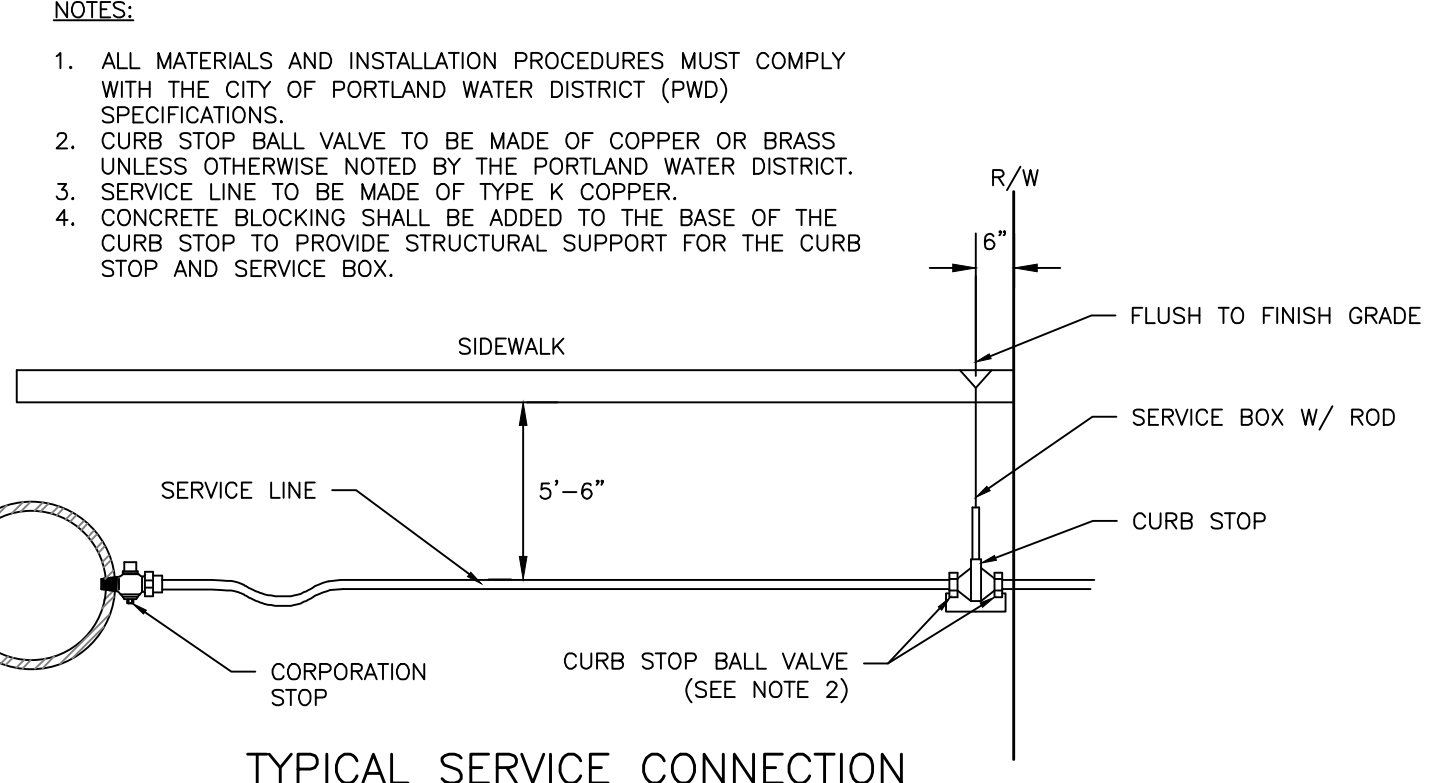
SIDE VIEW  
**TAPPING SLEEVE AND VALVE**  
 NOT TO SCALE



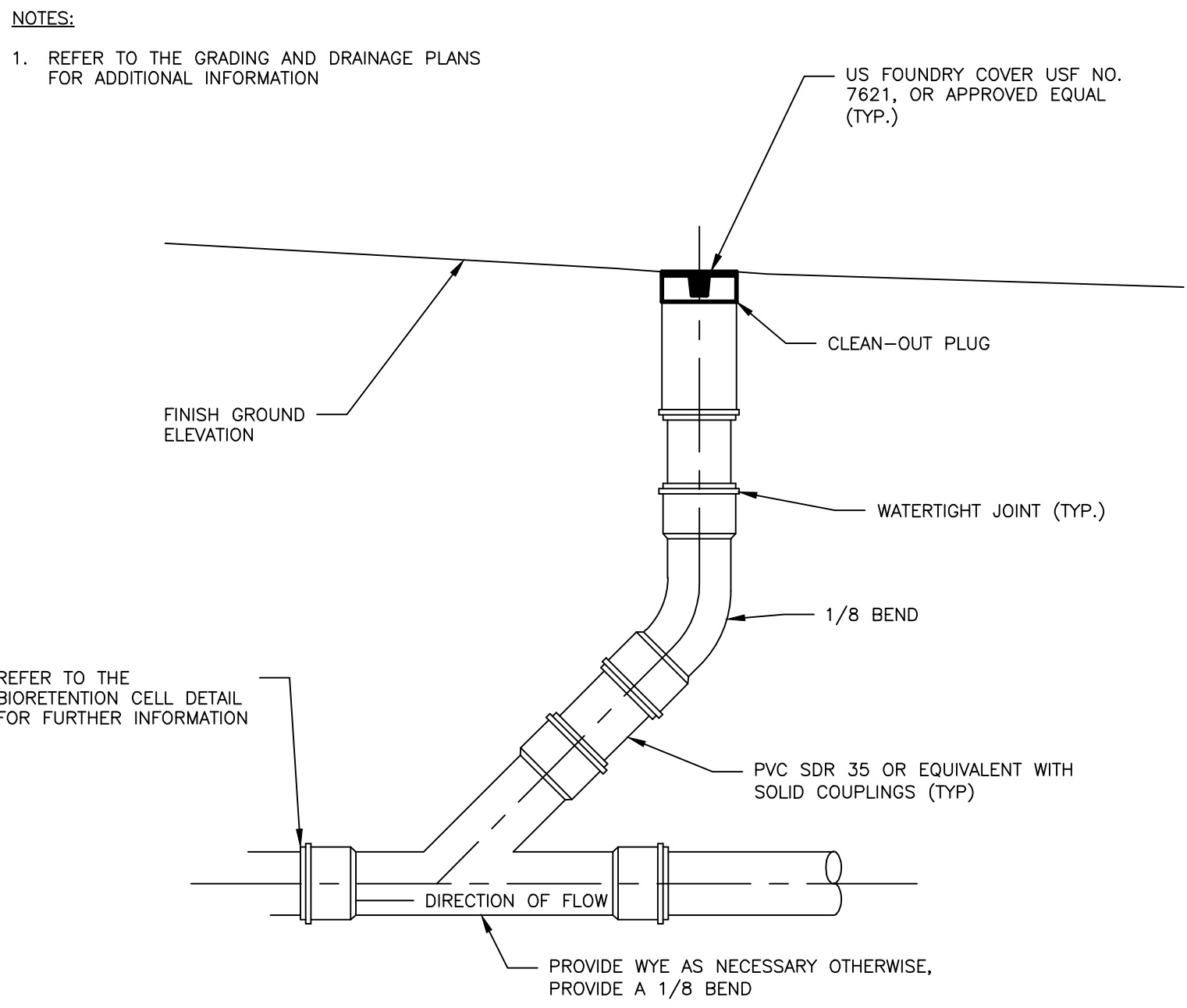
NOTE: IF DEAD END WITH TEE, THRUST BLOCK WOULD BE REQUIRED OR AS DIRECTED BY THE ENGINEER  
**END SECTION**



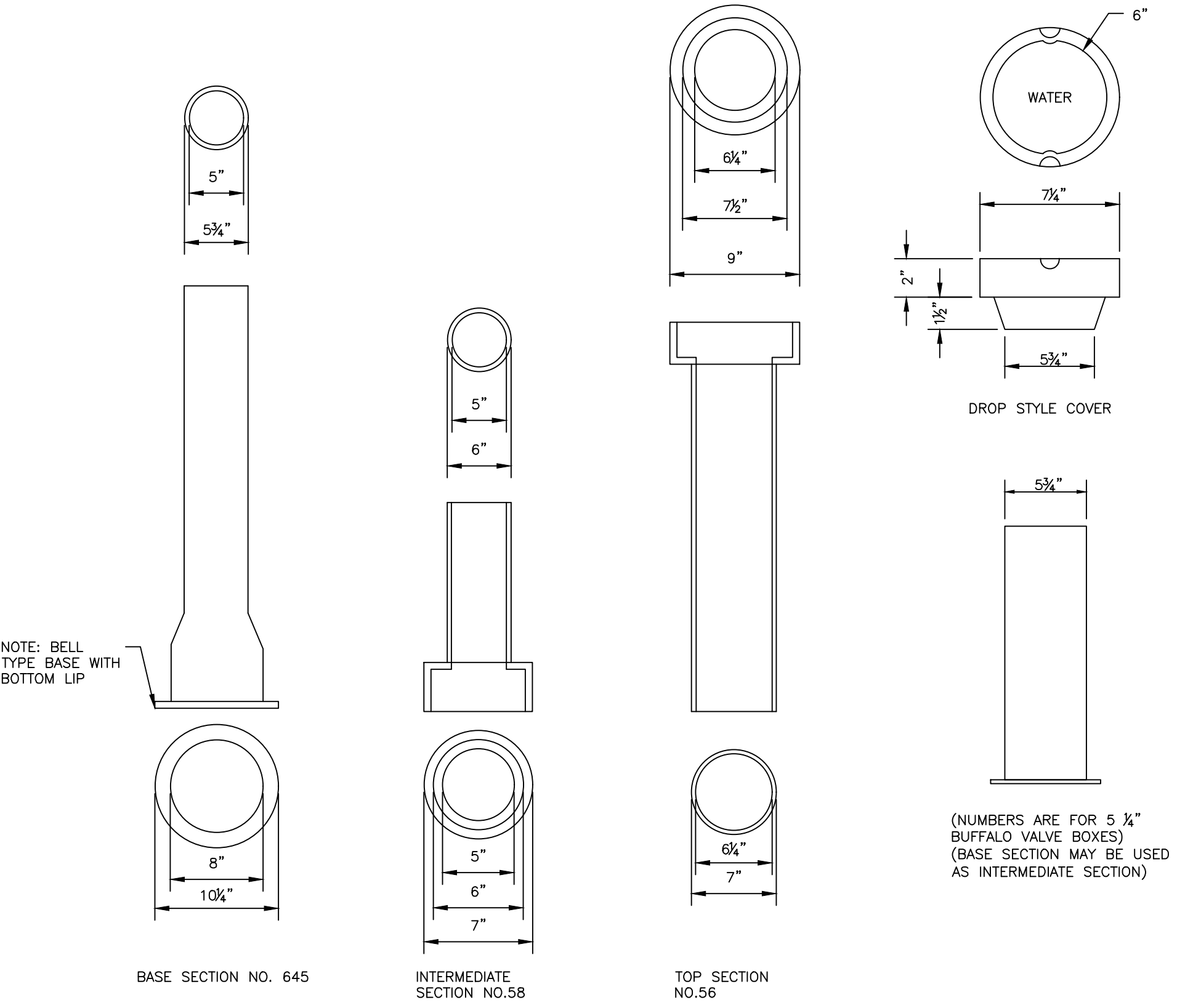
TOP VIEW  
 END VIEW  
 NOTE: SEE THRUST/RETAINER GLAND SCHEDULE FOR TYPE OF BLOCKING TO BE USED ON BENDS  
**REGULAR BEND**



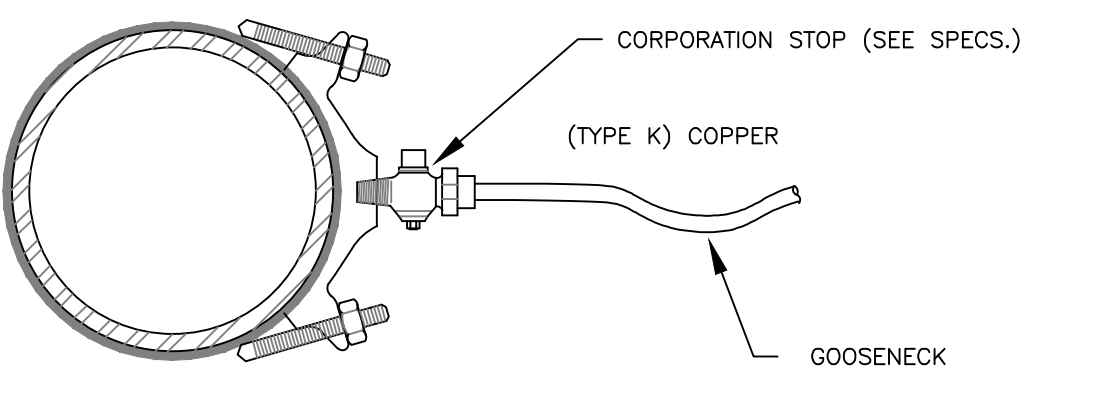
**TYPICAL SERVICE CONNECTION**  
 NOT TO SCALE



REFER TO THE BIoretENTION CELL DETAIL FOR FURTHER INFORMATION  
**CLEANOUT DETAIL**  
 NOT TO SCALE



**VALVE BOX & COVER**  
 NOT TO SCALE



**SERVICE SADDLE: 1-1/2" AND 2" C.C. THREAD**  
 NOT TO SCALE

PERMIT LEVEL  
 NOT ISSUED FOR  
 CONSTRUCTION