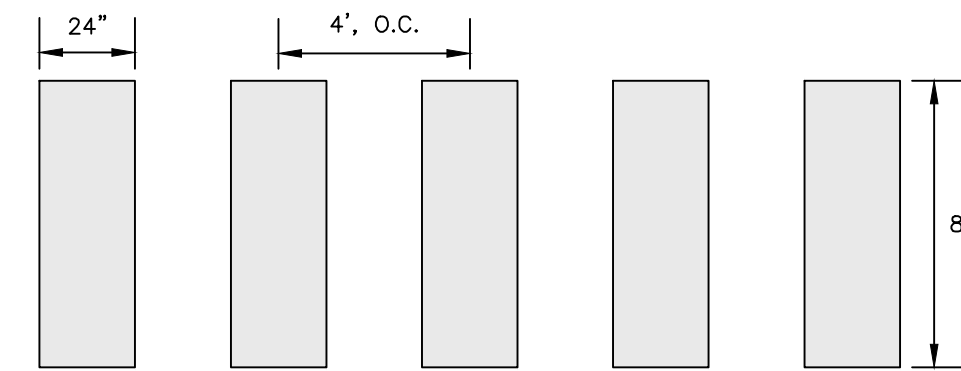


NOTE:

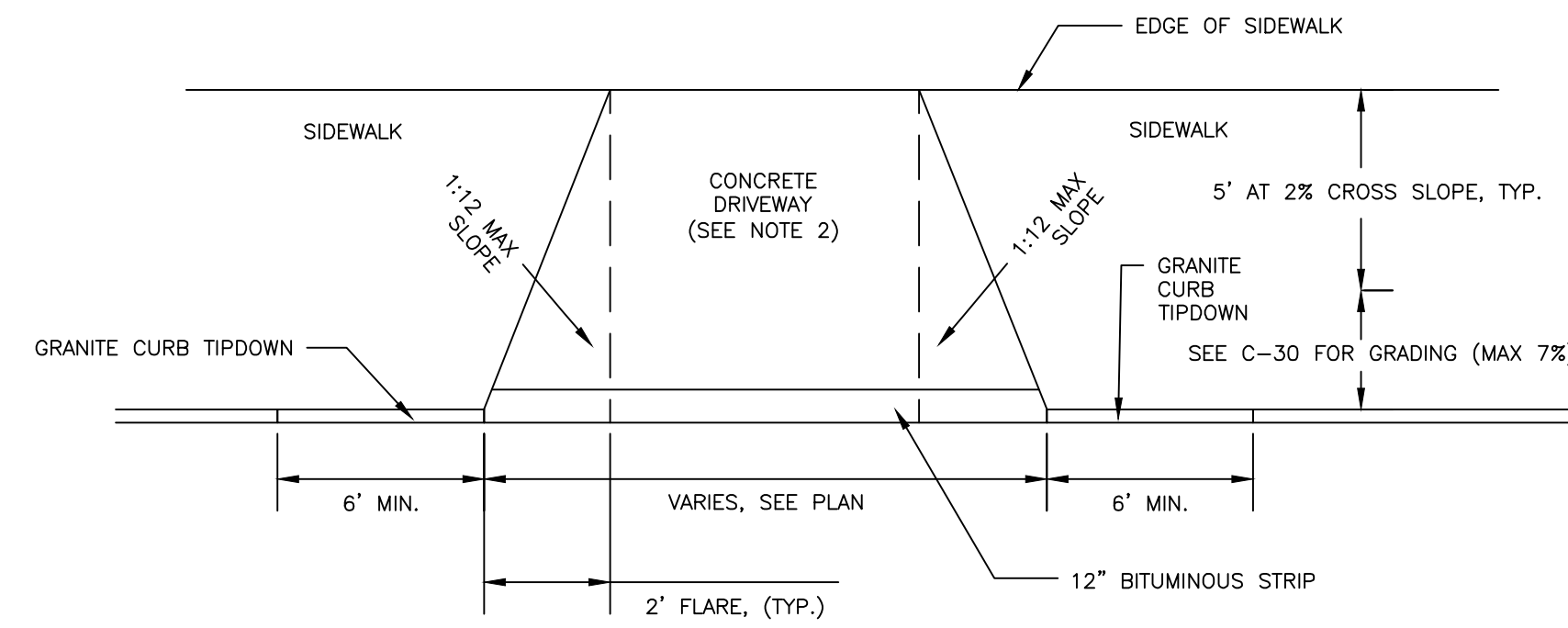
- CROSSWALKS TO BE BUILT IN CONFORMANCE WITH MUTCD STANDARDS, LATEST EDITION.
- CROSSWALKS ARE TO BE PAINTED WHITE MEETING MAINE DOT SPECIFICATIONS.
- BLOCKS TO BE PARALLEL TO THE DIRECTION OF CAR TRAFFIC.



BLOCK CROSSWALK
NOT TO SCALE

NOTES:

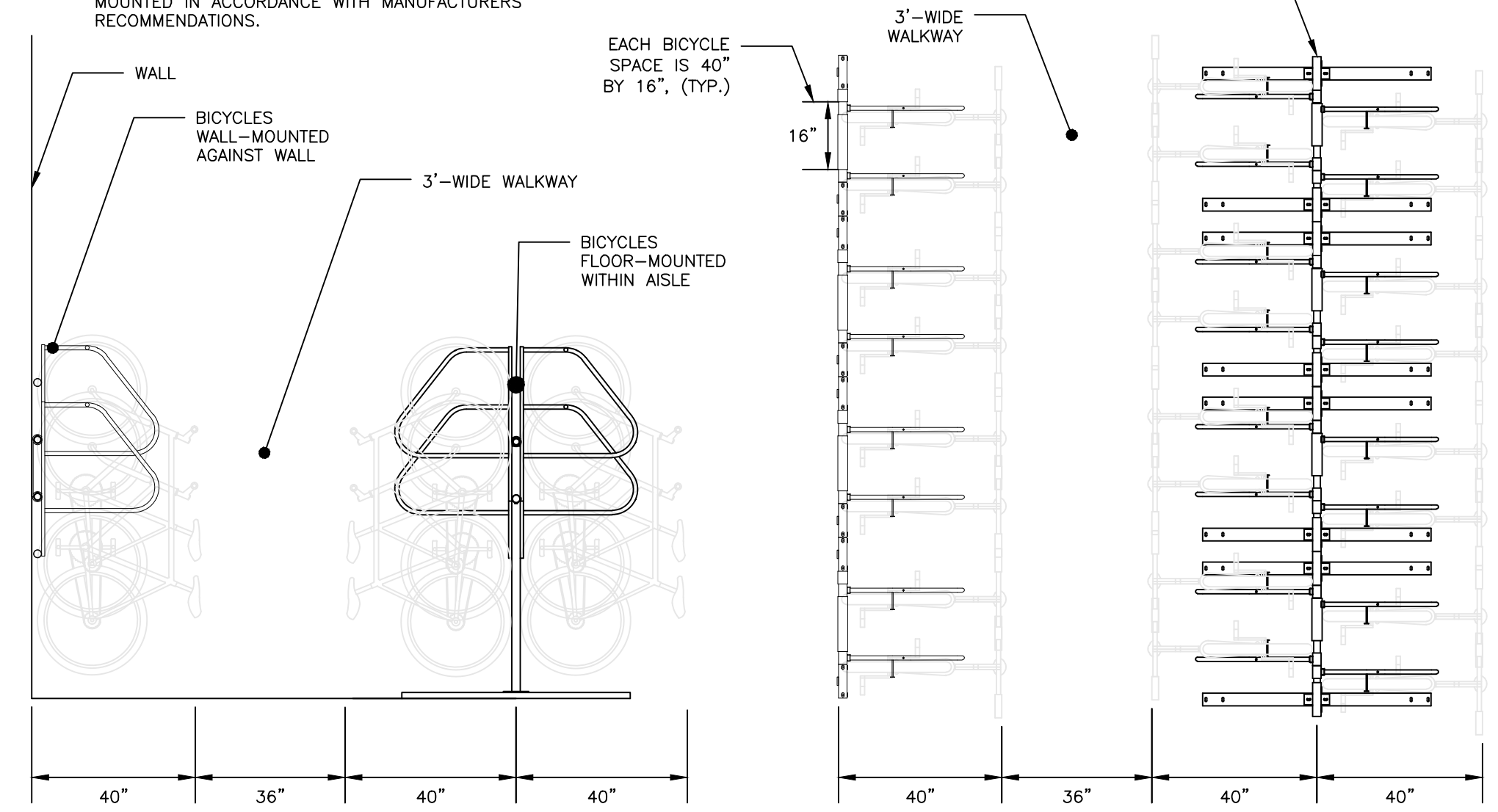
- REFER TO GRADING, DRAINAGE AND EROSION CONTROL PLAN FOR SITE GRADING
- REFER TO REINFORCED CONCRETE DETAIL
- MATERIALS/DETAILS OF DRIVEWAY APRON TO BE APPROVED BY CITY (DPW AND PLANNING) PRIOR TO IMPLEMENTATION



DRIVEWAY APRON LAYOUT DETAIL
NOT TO SCALE

NOTES:

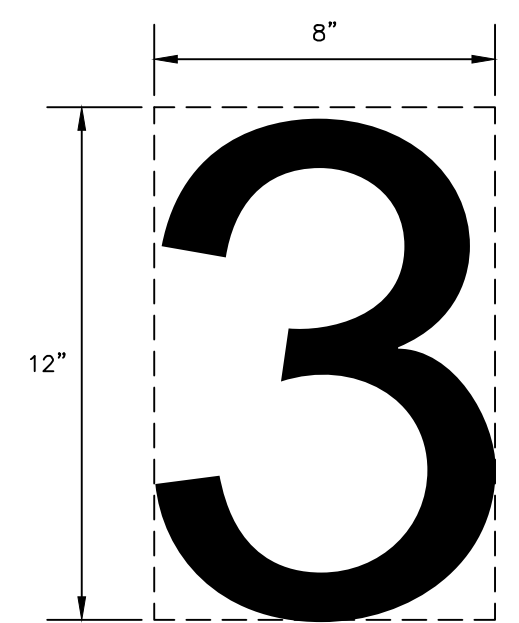
- FINAL LOCATION OF INTERIOR BICYCLE RACKS SHALL CONFORM TO ALL ARCHITECTURAL DRAWINGS. CONTRACTOR TO NOTIFY ENGINEER AND ARCHITECT WITH ANY DISCREPANCIES.
- BICYCLE MOUNT SHALL BE ULTRA SPACE SAVER AS MANUFACTURED BY DERO, OR APPROVED EQUAL.
- BICYCLES SHALL BE WALL MOUNTED OR FLOOR MOUNTED IN ACCORDANCE WITH MANUFACTURERS' RECOMMENDATIONS.



CROSS SECTION VIEW

PLAN VIEW

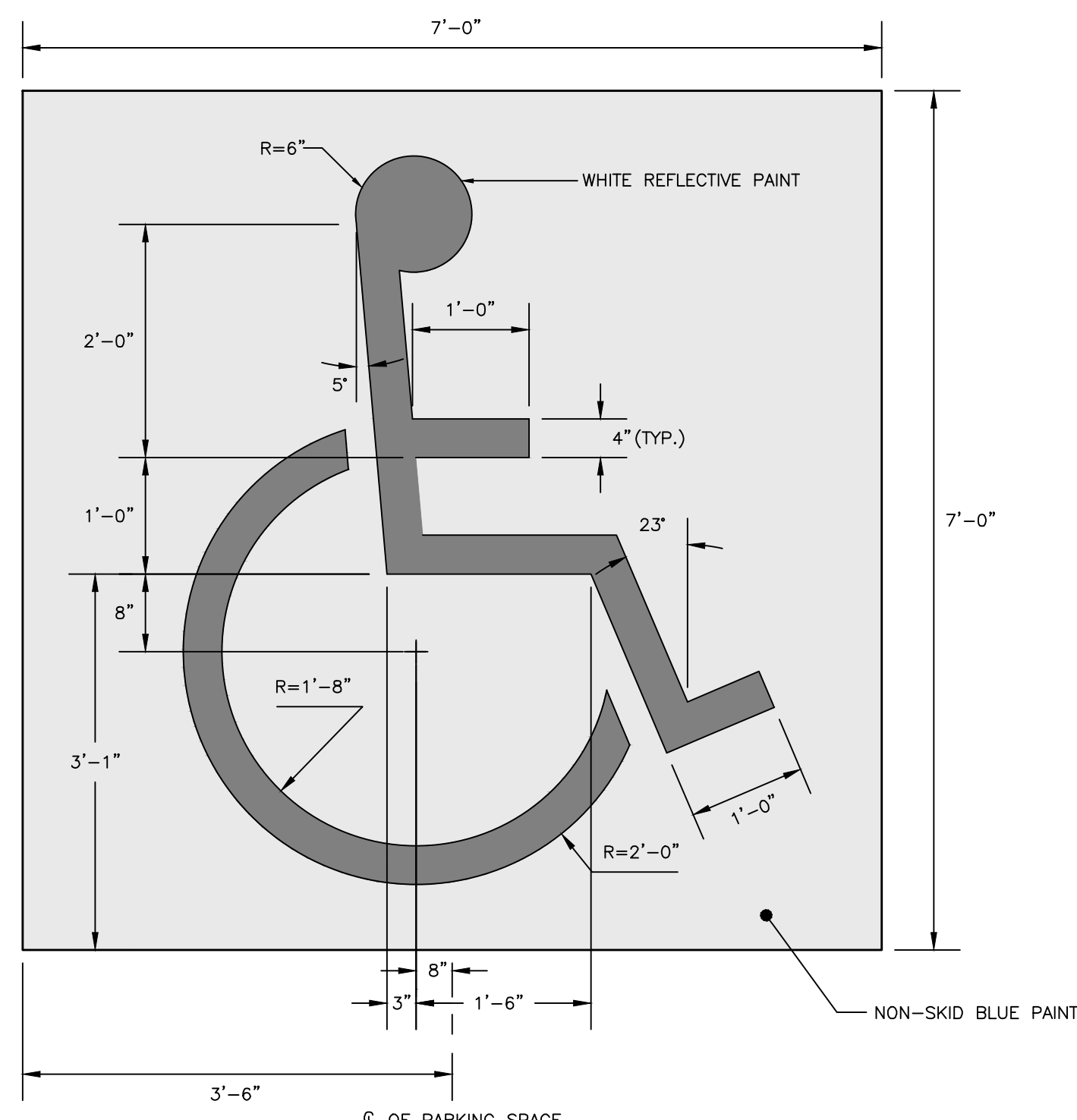
BICYCLE RACK INTERIOR
NOT TO SCALE



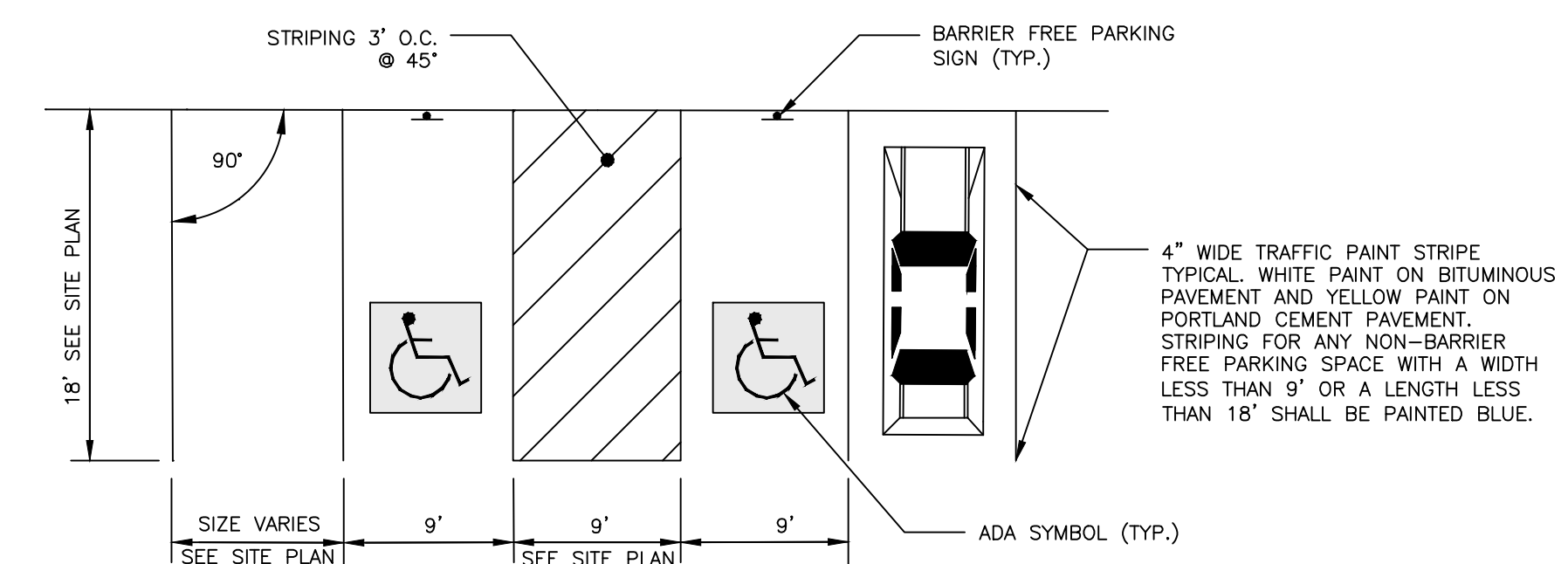
NOTES:

- NUMBERS TO BE PAINTED AS THE SAME COLOR AS THE CORRESPONDING PARKING SPACE.
- BOTTOM OF NUMBER TO BE FLUSH WITH THE FRONT OF THE PARKING SPACE.

PARKING STALL NUMBER DETAIL
NOT TO SCALE



INTERNATIONAL BARRIER FREE SYMBOL
NOT TO SCALE



PARKING SPACE DIMENSIONS
NOT TO SCALE

PERMIT LEVEL
NOT ISSUED FOR
CONSTRUCTION

ISSUED FOR	BY
FINAL APP.	WHS
	11/26/18

SITE DETAILS - 2

HAMMOND HOUSE

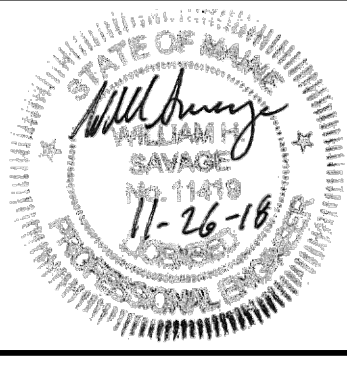
THE PRESERVE AT SOUTH RIDGE, LLC
94 SOUTH STREET, YARMOUTH, ME 04096

ACORN ENGINEERING, INC.

REGISTERED PROFESSIONAL ENGINEER
STATE OF MAINE
LICENSE NO. 1112-CIVIL

65 HANOVER ST. PORTLAND, MAINE 04101
(207) 775-2655

FILE:	1112_CIVIL
JN:	1112
SCALE:	NTS
DESIGNED BY:	WHS
DRAWN BY:	EKK
CHECKED BY:	WHS



DRAWING NO.
C-41