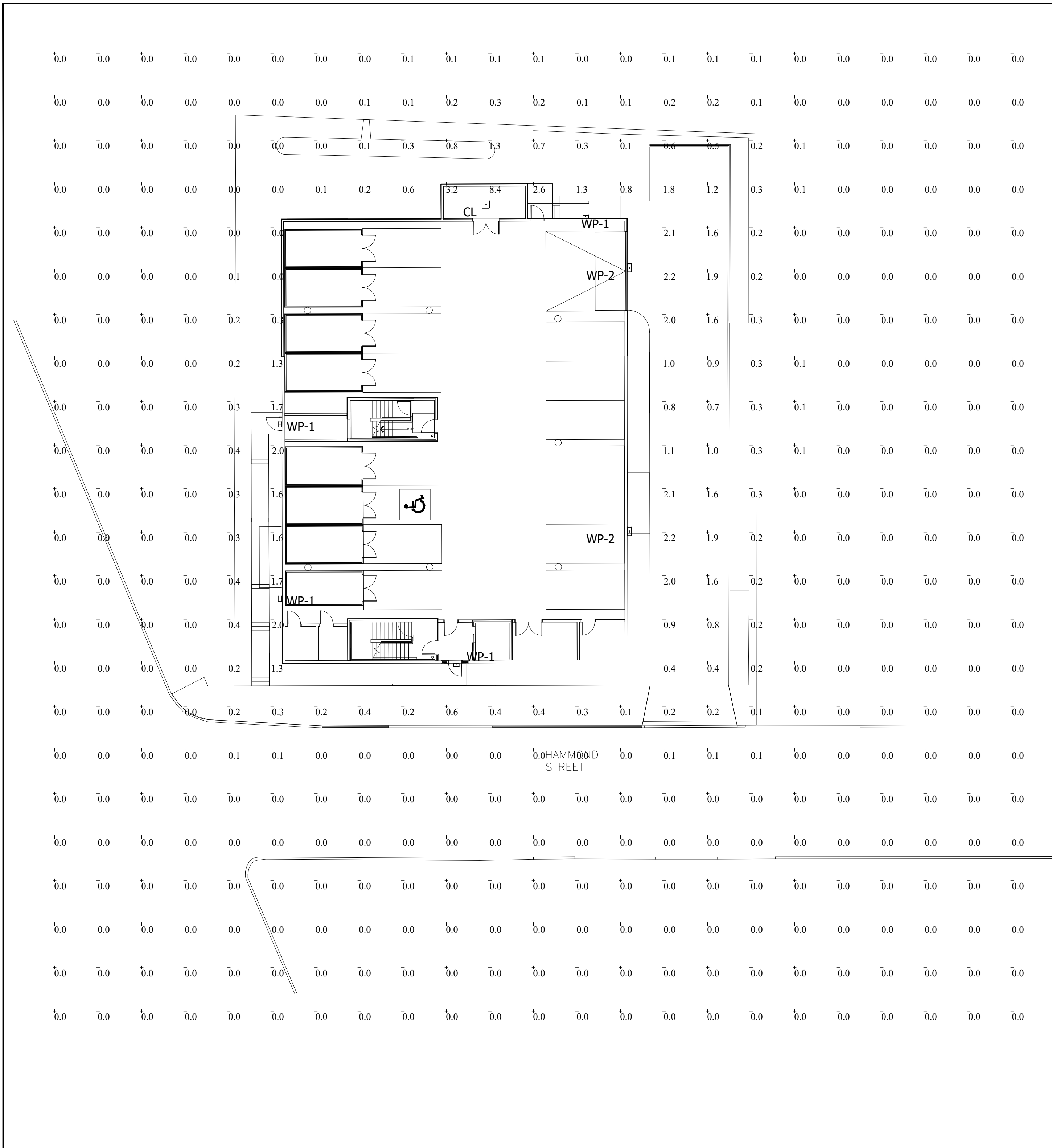


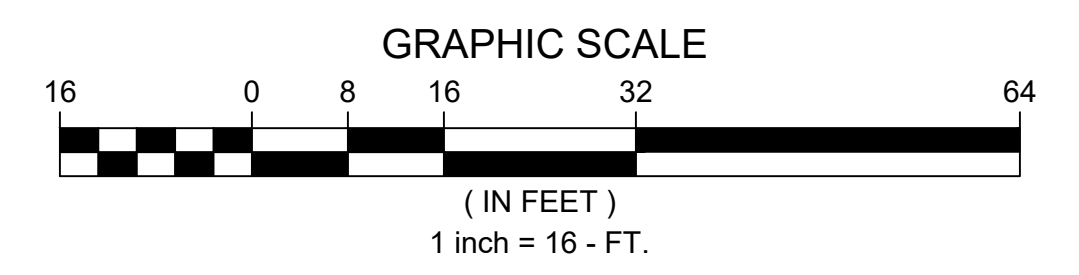
N. Lighting

Please find attached the photometric plan and cut sheets. Lighting finishes will be grey.



Luminaire Schedule							
Symbol	Qty	Label	Mounting Height	LLF	Lum. Lumens	Lum. Watts	Description
CL	1	CL	11' - 0" AFG	0.900	4610	38	LSQ1-40-4K7-UNV-X
WP-1	4	WP-1	8' - 0" AFG	0.900	1052	13	LNC-5LU-4K-2
WP-2	2	WP-2	12' - 0" AFG	0.900	3094	28	LNC3-24L4K-035-3


Calculation Summary							
Label	CalcType	Units	Avg	Max	Min	Avg/Min	Max/Min
Overall Area	Illuminance	Fc	0.19	8.4	0.0	N.A.	N.A.
Parking Area	Illuminance	Fc	1.41	2.2	0.4	3.53	5.50



1. THIS LIGHTING DESIGN IS BASED ON LIMITED INFORMATION SUPPLIED BY OTHERS TO HUBBELL LIGHTING. SITE DETAILS PROVIDED HEREON ARE REPRODUCED ONLY AS A VISUALIZATION AID. FIELD DEVIATIONS MAY SIGNIFICANTLY AFFECT PREDICTED PERFORMANCE. PRIOR TO INSTALLATION, CRITICAL SITE INFORMATION (POLE LOCATIONS, ORIENTATION, MOUNTING HEIGHT, ETC.) SHOULD BE COORDINATED WITH THE CONTRACTOR AND/OR SPECIFIER RESPONSIBLE FOR THE PROJECT.

2. LUMINAIRE DATA IS TESTED TO INDUSTRY STANDARDS UNDER LABORATORY CONDITIONS. OPERATING VOLTAGE AND NORMAL MANUFACTURING TOLERANCES OF LAMP, BALLAST, AND LUMINAIRE MAY AFFECT FIELD RESULTS.

3. CONFORMANCE TO FACILITY CODE AND OTHER LOCAL REQUIREMENTS IS THE RESPONSIBILITY OF THE OWNER AND/OR THE OWNER'S REPRESENTATIVE.

HAMMOND HOUSE DEVELOPMENT YARMOUTH, ME SITE LIGHTING PLAN	REVISED FROM DRAWING NUMBER(S)	 <small>Hubbell Lighting, Inc. 701 MILLENNIUM BLVD. GREENVILLE, SC 29607</small>	DN BY: DHK	DATE: 11/28/18	CHK BY: N/A
	R1: 11/29/18		REV BY: DHK	DATE: 12/06/18	SCALE: AS NOTED
	R2: 12/03/18 R3: 12/06/18		QUOTE: N/A	DRAWING / DESIGN NO: 1823155R3	



**LSQ
SERIES
Lumasquare**

Cat.#

Job

Type



**HUBBELL
Outdoor Lighting**

Approvals

SPECIFICATIONS

Intended Use:

The sleek Lumasquare luminaire represents the culmination of function and form with low profile housing design and lens featuring low luminance soft glow lens. This unique lens features high efficiency and ultimate visual comfort. Available in two housing sizes and four lumen outputs for a variety of applications including building perimeter/ security lighting, entrances, stairways, loading docks or canopies for schools, apartments or commercial buildings.

Construction:

Rugged die-cast aluminum housing with corrosion resistant powder coat finish both protects and provides architectural appearance. Heat dissipating fins provide superior thermal performance extending the life of the electronic components.

Electrical:

- 120-277V, 50/60Hz electronic drivers
- 347V and 480V available in larger LSQ2 housing
- 10KA surge protection included

LED(s) Optics, CCT:

- 3000K, 4000K and 5000K CCT nominal with 70 CRI
- Impact resistant acrylic diffuser
- low luminance soft glow lens provides blended non pixilated light for unprecedented visual comfort

Options/Controls

- Button photocontrol for dusk to dawn energy savings. Stock versions include 120V-277V PC with a cover which provides a choice to engage photocontrol or not. PC is installed in top hub.
- Occupancy sensor available for on/off and dimming control in larger LSQ1 and LSQ2 housing
- SiteSync™ wireless lighting control delivers flexible control strategies for reducing power consumption and minimizing maintenance costs while delivering the right light levels with a simple and affordable wireless solution See ordering information or visit www.hubbellighting.com/sitesync for more details.
- Battery backup options available in larger LSQ2 housing rated for either 0° C or -30° C. Performance exceeds NEC requirement providing 1 fc minimum over 10'x10' at 11' mounting height
- Battery backup units consume 6 watts when charging a dead battery and 2 watts during maintenance charging. EH (units with a heater) consume up to an additional 8 watts when charging if the battery temp is lower than 10°C

Installation:

- Mounts to 4" junction box and includes a gasket to seal electrical connections
- Mounting plate and hook on fixture allow easy 4 step installation and wiring
- Four ½" threaded conduit hubs for surface conduit provided

Listings

- Listed to UL1598 for use in wet location, listed for -40C to 40C applications
- iDA approved with zero uplight for 3000K and warmer CCTs
- DesignLights Consortium® (DLC) qualified. Please refer to the DLC website for specific product qualifications at www.designlights.org
- IP65

Warranty:

Five year limited warranty (for more information visit: <http://www.hubbellighting.com/resources/warranty/>)

PRODUCT IMAGE(S)

LSQ1

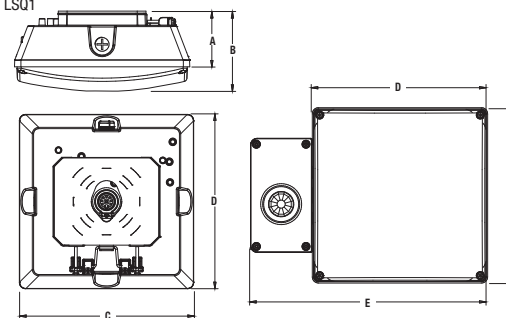


LSQ2



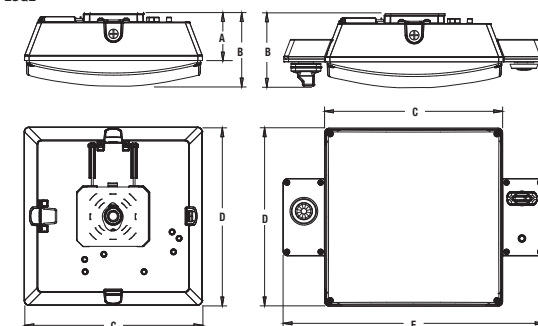
DIMENSIONS

LSQ1



A	B	C	D	E	Weight
3.0"	4.0"	10.0"	10.0"	13.5"	10 lbs.
76.2 mm	101.6 mm	254 mm	254 mm	343 mm	4.5 kg

LSQ2



A	B	C	D	E	Weight
4.0"	6.0"	14.8"	14.8"	21.9"	15.5 lbs.
101.6 mm	152.4 mm	375 mm	375 mm	556 mm	7.0 kg

CERTIFICATIONS/LISTINGS



Hubbell Outdoor Lighting • 701 Millennium Boulevard • Greenville, SC 29607 • Phone: 864-678-1000

Due to our continued efforts to improve our products, product specifications are subject to change without notice.

© 2018 HUBBELL OUTDOOR LIGHTING, All Rights Reserved • For more information visit our website: www.hubbelloutdoor.com • Printed in USA LSQ-SPEC AUGUST 7, 2018 10:13 AM

SHIPPING INFORMATION

Catalog Number	G.W(kg)/CTN	Carton Dimensions			Carton Qty. per Master Pack
		Length Inch (cm)	Width Inch (cm)	Height Inch (cm)	
LSQ1	10lbs (4.5 kg)	9.5 (24)	8.25 (21)	5.25 (13.32)	6
LSQ2	15.5lbs (7 kg)	14 (35.5)	11.5 (29.2)	8 (20.3)	2

**Job Name:**
HAMMOND ST. DEVELOPMENT - SITE**Catalog Number:**
LSQ-1-40-4K7-UNV-**

Notes: SPECIFY FINISH

Type:**CL**

SLA18-40388

ORDERING INFORMATION - Stock Versions

Catalog Number	Description
LSQ1-40-4K-PCU	40 watt, 4600 Lumen, 4000K, 70 CRI, 120-277V, Dark Bronze Textured, Photocell
LSQ1-40-4K-GYS-PCU	40 watt, 4600 Lumen, 4000K, 70 CRI, 120-277V, Gray Smooth, Photocell
LSQ2-70-4K-PCU	75 watt, 9300 Lumen, 4000K, 70 CRI, 120-277V, Dark Bronze Textured, Photocell
LSQ2-70-4K-GYS-PCU	75 watt, 9300 Lumen, 4000K, 70 CRI, 120-277V, Gray Smooth, Photocell

ORDERING INFORMATION - ORDERING EXAMPLE: LSQ1-25-4K7-UNV-DB-PCU

FAMILY	CCT/CRI	VOLTAGE	COLOR/FINISH	CONTROL OPTIONS	OPTIONS
LSQ1-25 Size 1, 25w / 3,000lm	3K7 3000K, 70CRI	UNV 120V-277V	DB Dark Bronze Textured	PCU Button Photocontrol (120-277V)	E ¹ Battery Backup Unit (0°C)
LSQ1-40 Size 1, 40w / 4,500lm	4K7 4000K, 70CRI	120 120V	BL Black Textured	SCO ² Sensor Control (On/Off)	EH ¹ Battery Backup Unit (-30°C)
LSQ2-55 Size 2, 55w / 7,000lm	5K7 5000K, 70CRI	208 208V	WH White Textured	SCP ^{2,3} Sensor Control, Programmable (Dim)	F [*] Fusing (voltage specific)
LSQ2-70 Size 2, 75w / 9,000lm		240 240V	GYS Gray Smooth	SWP ^{1,2} SiteSync, Pre-Commission	2DR ¹ Dual Drivers
		277 277V	PS Plat. Silver Smooth	SWPM ^{1,2} SiteSync, Pre-Commission w/Motion Sensor	2PF ^{1,4} Dual Power Feed
		UHV 347/480	GT Graphite Textured	SWF ^{1,2} SiteSync, Field Commission	SPC Polycarbonate Vandal Shield
			CC Custom Color	SWFM ^{1,2} SiteSync, Field Commission w/Motion Sensor	
			* Specify Finish	Specify MTG HT for SCO/SCP & SWPM	
				8F Up to 8ft mounting height	
				20F Up to 20ft mounting height	

¹ Available in LSQ2-55 and LSQ2-70 only² Available in 120V-277V only³ Must order minimum of one remote control (SCP-REMOTE) to program dimming settings, 0-10V fully adjustable dimming with automatic daylight calibration and different beam delay settings (120-277V only)⁴ Comes with Dual Driver (2DR) option**ACCESSORIES****SCP-REMOTE** Remote control for SCP option. Order a minimum of one per project to program and control fixtures**SCP-PC** Polycarbonate Vandal Shield**PERFORMANCE DATA**

Catalog number	# of LEDs	Drive Current	System Watts	Distribution	5K (5000K nominal, 70 CRI)					4K (4000K nominal, 70 CRI)					3K (3000K nominal, 80 CRI)				
					Lumens	LPW ¹	B	U	G	Lumens	LPW ¹	B	U	G	Lumens	LPW ¹	B	U	G
LSQ1	176	43mA	24.3	V	3181	131	2	3	2	3170	131	2	3	2	3055	126	2	3	2
		65mA	38.1	V	4626	121	2	3	2	4610	121	2	3	2	4443	117	2	3	2
LSQ2	352	43mA	54.6	V	7246	133	2	3	2	7221	132	2	3	2	6959	127	2	3	2
		65mA	73.5	V	9431	128	2	3	2	9398	128	2	3	2	9057	123	2	3	2

1. Lumen values are from photometric tests performed in accordance with IESNA LM-79-08. Data is considered to be representative of the configurations shown. Actual performance may differ as a result of end-user environment and application.

ELECTRICAL DATA

Catalog number	# of Drivers	Input Voltage	Current (Amps)	System Power
LSQ1-25	1	120	0.21	25.7
		277	0.09	
LSQ1-40	1	120	0.31	37.0
		277	0.13	
LSQ2-55	1	120	0.43	51.3
		277	0.19	
LSQ2-70	1	120	0.60	71.8
		277	0.26	

PROJECTED LUMEN MAINTENANCE

Ambient Temp.	OPERATING HOURS					
	0	25,000	36,000	50,000	100,000	L70 (hours)
25°C / 77°F	1.00	0.95	0.93	0.91	0.83	>185,000
40°C / 104°F	0.97	0.92	0.90	0.88	0.80	>170,000

1. Projected per IESNA TM-21-11 * (Nichia 219B, 700mA, 85°C Ts, 10,000hrs) Data references the extrapolated performance projections for the LNC-12LU-5K base model in a 40°C ambient, based on 10,000 hours of LED testing per IESNA LM-80-08.

LUMINAIRE AMBIENT TEMPERATURE FACTOR (LATF)

AMBIENT TEMPERATURE	LUMEN MULTIPLIER	
0° C	32° F	1.03
10° C	50° F	1.02
20° C	68° F	1.01
25° C	77° F	1.00
30° C	86° F	0.99
40° C	104° F	0.97
50° C	122° F	0.96

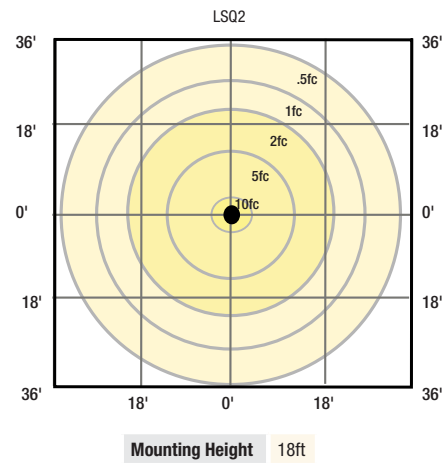
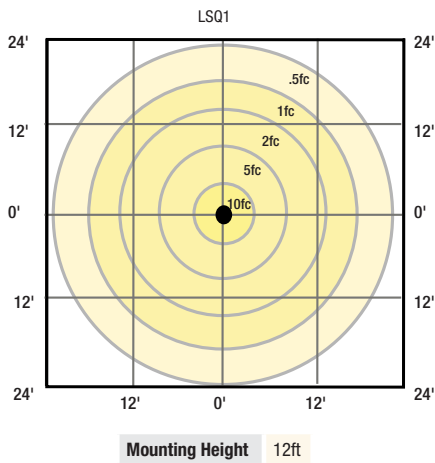
Use these factors to determine relative lumen output for average ambient temperatures from 0-40°C (32-104°F).

**HUBBELL**
Outdoor Lighting

Hubbell Outdoor Lighting • 701 Millennium Boulevard • Greenville, SC 29607 • Phone: 864-678-1000

Due to our continued efforts to improve our products, product specifications are subject to change without notice.

© 2018 HUBBELL OUTDOOR LIGHTING. All Rights Reserved • For more information visit our website: www.hubbelloutdoor.com • Printed in USA LSQ-SPEC AUGUST 7, 2018 10:13 AM

**PERFORMANCE****INSTALLATION**

Mount plate to junction box.



Hang fixture on mounting plate with provided integral hook.



Complete wiring connections.



Two mounting screws close and secure fixture to the mounting bracket.



Submitted by Swaney Lighting



Job Name:
HAMMOND ST. DEVELOPMENT - SITE

Catalog Number:
LSQ-1-40-4K7-UNV-**

Notes: SPECIFY FINISH

Type:

CL

SLA18-40388



<h1>LNC SERIES</h1>	Cat.#		
	Job	Type	
Approvals			

SPECIFICATIONS

Intended Use:

The compact LED LNC is designed for entry/perimeter illumination for safety, security and identity. Typical mounting height is up to 12 feet with 40ft fixture spacing (without acrylic diffuser) and 30ft spacing with acrylic diffuser installed. Photocontrol option is available to provide dusk-to-dawn control for additional energy savings.

Construction:

Decorative die-cast aluminum housing and door. Rugged design protects internal components and provides excellent thermal management for long life – 60,000 hours minimum LED life at L96 rating per IESNA TM-21-11. Powder paint finishes provide lasting appearance in outdoor environments.

Optics/Electrical LED:

Drivers are 120-277V, 50/60Hz Type II, III and Type IV lenses provide wide lateral spread.

- LNC5L – 5 LEDs, Types II, III or IV available, see page 2 for electrical details
- LNC7L – 7 LEDs, Type II, III or IV available, see page 2 for electrical details
- LNC9L – 9 LEDs, Types II, III or IV available, see page 2 for electrical details
- 3000K - 80 CRI, 4000K - 70 CRI, and 5000K - 70 CRI, CCT nominal
- Minimum operating temperature is -40°C/-40°F
- Drivers have greater than .90 power factor and less than 20% Total Harmonic Distortion

Lenses:

Full cut-off distribution; Ambient diffuser included, use for applications near entrances or locations where reduced brightness is desired.

Installation:

Quick mount adapter provides quick installation, designed for recessed box 4" square junction box.

Listings:

Listed and labeled to UL 1598 for wet locations, 25° C ambient environments. DesignLights Consortium® (DLC) qualified. Please refer to the DLC website for specific product qualifications at: <http://www.designlights.org/>

- IES Progress Award Winner - 2012

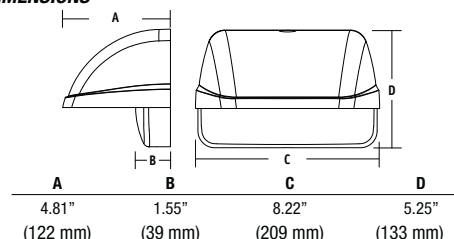
Warranty:

Five year limited warranty. For more information visit: <http://www.hubbelloutdoor.com/resources/warranty/>

PRODUCT IMAGE(S)



DIMENSIONS



SHIPPING INFORMATION

Catalog Number	G.W(kg)/CTN	Carton Dimensions			Carton Qty. per Master Pack
		Length Inch (cm)	Width Inch (cm)	Height Inch (cm)	
LNC-5LU	9.6 (4.36)	14.5 (37)	9.6 (24.5)	6.8 (17.5)	2
LNC-7LU	9.6 (4.36)	14.5 (37)	9.6 (24.5)	6.8 (17.5)	2
LNC-9LU	9.6 (4.36)	14.5 (37)	9.6 (24.5)	6.8 (17.5)	2

CERTIFICATIONS/LISTINGS



ORDERING INFORMATION

ORDERING EXAMPLE: LNC-9LU-5K-3-1-PCU

LNC	-		-		-		-		-	
SERIES	NUMBER OF LEDs	VOLTAGE	CCT	IES DISTRIBUTION	FINISH	OPTIONS				
LNC LNC zero uplight	5L 5 LEDs 7L 7 LEDs 9L 9 LEDs	U 120V-277V 1 120V 2 208V 3 240V 4 277V	3K 3000K nominal, 70 CRI 4K 4000K nominal, 70 CRI 5K 5000K nominal	2 Type II 3 Type III 4 Type IV	1 Bronze 2 Black 3 Gray 4 White 5 Platinum	PCU Universal Button Photocell				
			AM ¹ Amber (590 μm available for "Turtle Friendly"/observatory applications, 350 mA (consult factory))		* Specify Finish					

¹ Amber LEDs only available on 7LU and 9LU configurations, 350 mA only

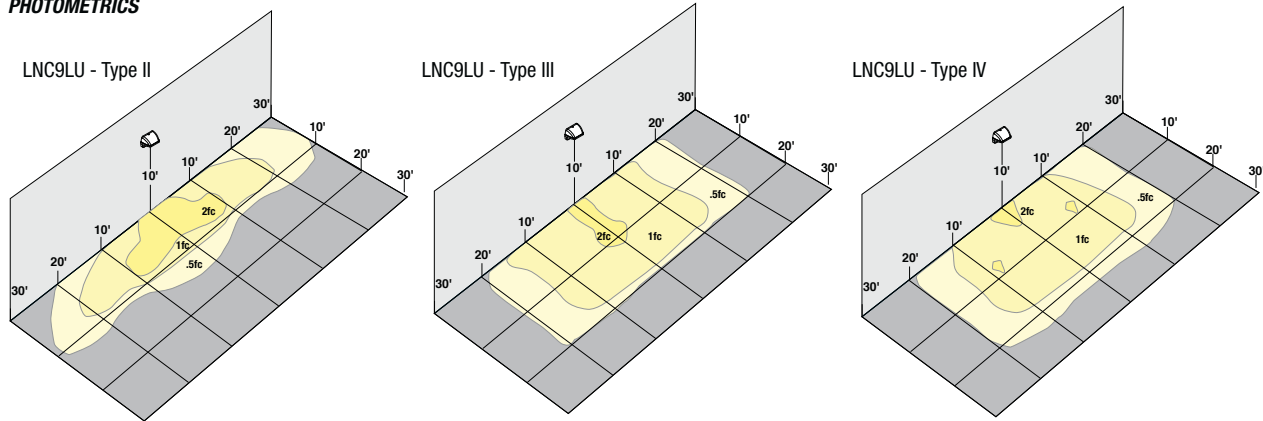




REPLACEMENT PART

CATALOG NUMBER	DESCRIPTION
93039574	Frosted comfort shield, improved uniformity with only 5% reduction

PHOTOMETRICS



PERFORMANCE DATA

# OF LEDS	DRIVE CURRENT	SYSTEM WATTS	DIST. TYPE	5K (5000K nominal, 70 CRI)		4K (4000K nominal, 70 CRI)		3K (3000K nominal, 80 CRI)		AM (<580 nm wave-length)		
				LUMENS	LPW'	LUMENS	LPW'	LUMENS	LPW'	LUMENS	SYSTEM WATTS	LPW'
5	STD. (700mA)	13W	2	1,150	88.5	1,052	81	883	68			
			3	1,132	87	1,077	83	833	64			
			4	1,146	88	1,053	81	849	65			
7	AM (350mA)	17W	2	1,515	89	1,369	80.5	1,272	75			
			3	1,500	88	1,539	90.5	1,392	82	268	6.6	59
			4	1,557	91.5	1,535	90	1,425	84			
9		22W	2	2,069	94	2,033	92	1,588	72			
			3	2,024	92	1,989	90	1,623	74			
			4	2,095	95	2,059	93.5	1,680	76	382	8.3	46

Lumen values are from photometric tests performed in accordance with IESNA LM-79-08. Data is considered to be representative of the configurations shown. Actual performance may differ as a result of end-user environment and application. Please consult IES files for BUG ratings.

PROJECTED LUMEN MAINTENANCE

Ambient Temp.	OPERATING HOURS					
	0	25,000	50,000	TM-21-11 ¹ L96 60,000	100,000	L70 (hours)
25°C / 77°F	1.00	0.98	0.97	0.96	0.95	>791,000
40°C / 104°F	0.99	0.98	0.96	0.96	0.94	>635,000

1. Projected per IESNA TM-21-11 * (Nichia 219B, 700mA, 85°C Ts, 10,000hrs)
Data references the extrapolated performance projections for the LNC-12LU-5K base model in a 40°C ambient, based on 10,000 hours of LED testing per IESNA LM-80-08.

LUMINAIRE AMBIENT TEMPERATURE FACTOR (LATF)

AMBIENT TEMPERATURE	LUMEN MULTIPLIER	
0° C	32° F	1.02
10° C	50° F	1.01
20° C	68° F	1.00
25° C	77° F	1.00
30° C	86° F	1.00
40° C	104° F	0.99
50° C	122° F	0.98

Use these factors to determine relative lumen output for average ambient temperatures from 0-50°C (32-122°F).

ELECTRICAL DATA

# OF LEDS	DRIVE CURRENT (mA)	DRIVE CURRENT (mA)	INPUT VOLTAGE (V)	CURRENT (Amps)	SYSTEM POWER (w)
5	1	STD. (700mA)	120	0.11	13
			277	0.05	13
7	1	STD. (700mA)	120	0.14	17
			277	0.07	17
9	1	STD. (700mA)	120	0.17	22
			277	0.09	22





**LITEPAK
SERIES
LNC3**

Cat.#	
Job	Type



Approvals

SPECIFICATIONS

Intended Use:

The mid-sized LNC3 is designed for perimeter illumination for safety, security and identity. No uplight and lower glare lens option offer neighbor friendly lighting at typical mounting heights of 8-20'. Units have protective polyester finish for long lasting appearance. Ideal for schools, factories, hospitals, warehouses and retail applications. Energy efficient LEDs provide 70%+ energy savings with little to no maintenance when compared to traditional light sources.

Construction:

Die-cast aluminum housing protects components and provides an architectural appearance. Casting thermally conducts LED heat to optimize performance and long life. Powder paint finish provides durability in outdoor environments. Four 1/2" conduit entries (top, bottom, and sides) provided for surface conduit.

Electrical:

- 120-277, 347 and 480 voltage, 50/60Hz, 0-10V dimming drivers
- Electronic driver
- 10kA surge protection

LED(s) CCT:

- Ambient operating temperature -40°C to 40°C
- 3000K, 4000K and 5000K CCT nominal with 70 CRI
- Available in 2 or 24 LED configuration, see page 2 for electrical and photometric data

Lenses:

- Zero uplight distributions using individual acrylic LED optics provide IES type II, III and IV distributions
- CS - Frosted acrylic diffuser option for reduced glare
- CSU - Frosted acrylic diffuser for inverted "up" mounting applications (lens required)

Lumen Maintenance:

L89 at 60,000 hrs (Projected per IESNA TM-21-11), see table on page 2 for all values

Installation:

Quick-mount adapter with gasket seal provides easy installation to wall or to recessed junction box (4" square junction box). Fixture attaches by two Allen-head hidden fasteners for tamper resistance. Designed for direct j-box mount or conduit feed on all four sides in single SKU.

Options/Controls:

- Button photocontrol for dusk to dawn energy savings
- 7-pin photo-receptacle available for twist lock photocell and controls by others
- Occupancy sensor options available for complete on/off and dimming control
- SiteSync pre-commissioned wireless controls (with or without sensor)
- In addition, LITEPAK can be specified with SiteSync™ wireless control system for reduction in energy and maintenance cost while optimizing light quality 24/7. See ordering information or visit www.hubbelloutdoor.com/sitesync for more details.

Listings:

- DesignLights Consortium® (DLC) qualified. Please refer to the DLC website for specific product qualifications at www.designlights.org
- Listed to UL1598 and CSAC22.2#250.0-24 for wet locations
- IP65 Assembly • IDA Approved (3000K configurations)

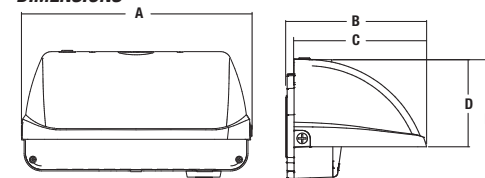
Warranty:

Five year limited warranty (for more information visit: <http://www.hubbelloutdoor.com/resources/warranty/>)

PRODUCT IMAGE(S)



DIMENSIONS



A	B	C	D	E	Weight / BBU
13"	10.5"	9.9"	5.8"	8.3"	18 lbs.
330.2 mm	266.7 mm	251 mm	147.3 mm	210.8 mm	8.2 kg

SHIPPING INFORMATION

Catalog Number	G.W(kg)/CTI	Carton Dimensions			Carton Qty. per Master Pack
		Length Inch (cm)	Width Inch (cm)	Height Inch (cm)	
LNC3-24L	18.0 (8.2)	15.8 (40)	11.0 (28)	13 (33)	1

CERTIFICATIONS/LISTINGS



*3000K and warmer CCTs only

ORDERING INFORMATION – ORDERING EXAMPLE: LNC3-24L-3K-105-2-1-DB-7PR-SCP

LNC3	-	-	-	-	-	-	-	-	-
FAMILY	NUMBER OF LEDES	CCT	DRIVE CURRENT	IES DISTRIBUTION	VOLTAGE	FINISH	CONTROL OPTIONS	OPTIONS	
LNC3 Medium Litepak Wallpack	24L 24LEDS	3K 3000K	035 350mA	2 Type II	U 120v-277v	DB Bronze	PCU Universal Button PC	F ¹	Fusing (must specify voltage per footnote)
	4K 4000K	050 500mA	075 750mA	3 Type III	1 120v ¹	BL Black	7PR ⁶ 7pin PCR	CS	Frosted acrylic diffuser
	5K 5000K	105 1050mA	105 1050mA	4 Type IV	2 208v ¹	WH White	SCP ^{3,4} Program-mable occupancy sensor	CSU ²	Inverted/Up mounting frosted acrylic diffuser (required for up/inverted fixture installations, factory install only see page 3)
					3 240v ¹	GR Gray	SWP ^{7,10} SiteSync pre-commissioned	E ^{1,5}	Integral battery backup rated for 0°
					4 277v ¹	PS Platinum		EH ^{1,5}	Integral battery backup with heater rated for -30°C
					5 480v ¹	CC Custom Color		2DR ⁹	Dual Drivers
					F 347v ¹	* Specify Finish	SWPM ^{4,7,8,10} SiteSync pre-commissioned w/ occupancy sensor		

¹ Must specify voltage (120 or 277V only for E/EH options)

² Factory Install Only. Not available with SCP or SWPM sensor/control options

³ Must order minimum of one remote control to program dimming settings, 0-10V fully adjustable dimming with automatic daylight calibration and different time delay settings, 120-277V only.

⁴ PCU option not applicable, included in sensor (GF = up to 8ft, 20F = up to 20ft)

⁵ 350mA, 500mA & 750mA versions only. Not available with F, SWP or SWPM options.

⁶ Accepts standard 3, 5, and 7-Pin ANSI controls (by others). Not available with PCU, SWP or SWPM control options

⁷ Must specify group and zone information at time or order. See www.HubbellLighting.com/products/sitesync for future details

⁸ Specify time delay; dimming level and mounting height

⁹ 750mA and 1050mA versions only, not available with 347/480V

¹⁰ 1050mA only, not available with 347V or 480V

STOCK ORDERING INFORMATION – 2L COB MODELS

CATALOG NUMBER	DESCRIPTION	DISTRIBUTION	WATTAGE	LUMENS	LPW	VOLTAGE	# OF DRIVERS @ DRIVE CURRENT	WEIGHTS LBS. (KGS)
LNC3-2L4K-075	2 LED - 60W Configuration, 4000K, Dark Bronze	Type IV	62.0	5,857	94.8	120-277	1 @ 750mA	16(7.3)
LNC3-2L4K-105	2 LED - 90W Configuration, 4000K, Dark Bronze		87.4	7,721	86.1		1 @ 1050mA	
LNC3-2L5K-105	2 LED - 90W Configuration, 5000K, Dark Bronze		87.4	7,288	82.0		1 @ 1050mA	
LNC3-2L4K-105-7PR	2 LED - 90W Configuration, 4000K, Dark Bronze, 7-Pin		87.4	7,721	86.1		1 @ 1050mA	
LNC3-2L4K-105-SCP	2 LED - 90W Configuration, 4000K, Dark Bronze, SCP		87.4	7,721	86.1		1 @ 1050mA	



HUBBELL Outdoor Lighting

Hubbell Outdoor Lighting • 701 Millennium Boulevard • Greenville, SC 29607 • Phone: 864-678-1000

Due to our continued efforts to improve our products, product specifications are subject to change without notice.

© 2017 HUBBELL OUTDOOR LIGHTING, All Rights Reserved • For more information visit our website: www.hubbelloutdoor.com • Printed in USA LNC3-SPEC AUGUST 7, 2018 8:29 AM

**Accessories and Services (Ordered Separately)**

Catalog Number	Description
LNC3-CS	Frosted acrylic diffuser reduces surface brightness and glare with a roughly 20% lumen reduction
SCP-REMOTE	Remote Control for SCP/_F option. Order at least one per project to program and control the occupancy sensor
SWUSB*	SiteSync interface software loaded on USB flash drive for use with owner supplied PC (Windows based only). Includes SiteSync license, software and USB radio bridge node
SWTAB*	Windows tablet and SiteSync interface software. Includes tablet with preloaded software, SiteSync license and USB radio bridge node.
SWBRG	SiteSync USB radio bridge node only. Order if a replacement is required or if an extra bridge node is requested.
SW7PR*	SiteSync 7 Pin on fixture module On/Off/Dim, Daylight Sensor 120-480VAC

* When ordering SiteSync at least one of these two interface options must be ordered per project.
+ Available as a SiteSync retrofit solution for fixtures with an existing 7pin receptacle.

Hubbell Control Solutions - Accessories (sold separately)

Catalog Number	Description	HCS System
NXOFM-1R1D-UNV	On-fixture Module (7-pin), On / Off / Dim, Daylight Sensor with HubbNET Radio and Bluetooth® Radio, 120-480VAC	NX Distributed Intelligence™
WIR-RME-L	On-fixture Module (7-pin or 5-pin), On / Off / Dim, Daylight Sensor with wiSCAPE Radio, 110-480VAC	wiSCAPE® Lighting Control

For additional information related to these accessories please visit www.hubbellcontrolsolutions.com. Options provided for use with integrated sensor, please view specification sheet ordering information table for details.

SiteSync 7-Pin Module

SW7PR



- SiteSync Features in a new form
- Available as an accessory for new construction or retrofit applications (with existing 7-Pin receptacle)
- Available on all products that have a 7-Pin receptacle
- Does not interface with occupancy sensors

PERFORMANCE DATA

# OF LEDS	DRIVE CURRENT	SYSTEM WATTS	DIST. TYPE	5K (5000K nominal, 70 CRI)					4K (4000K nominal, 70 CRI)					3K (3000K nominal, 70 CRI)				
				LUMENS	LPW ¹	B	U	G	LUMENS	LPW ¹	B	U	G	LUMENS	LPW ¹	B	U	G
24	350mA	28	E	671	-	-	-	-	657	-	-	-	-	591	-	-	-	-
			2	3,212	115	1	0	1	3,145	113	1	0	1	2,991	107	1	0	1
			3	3,160	113	1	0	1	3,094	111	1	0	1	2,944	106	1	0	1
			4	3,182	114	1	0	1	3,116	112	1	0	1	2,964	106	1	0	1
	500mA	41	2	4,143	101	1	0	2	4,057	99	1	0	2	3,858	94	1	0	2
			3	4,076	99	1	0	1	3,991	97	1	0	1	3,797	93	1	0	1
			4	4,104	100	1	0	1	4,019	98	1	0	1	3,823	93	1	0	1
			2	5,918	99	1	0	2	5,795	97	1	0	2	5,512	92	1	0	2
	750mA	60	3	5,823	97	1	0	2	5,702	95	1	0	2	5,424	90	1	0	2
			4	5,863	98	1	0	2	5,741	96	1	0	2	5,461	91	1	0	2
			2	7,630	92	2	0	2	7,472	90	2	0	2	7,107	86	2	0	2
			3	7,508	90	1	0	2	7,352	89	1	0	2	6,993	84	1	0	2
	1050mA	83	4	7,559	91	1	0	2	7,402	89	1	0	2	7,041	85	1	0	2

Lumen values are from photometric tests performed in accordance with IESNA LM-79-08. Data is considered to be representative of the configurations shown. Actual performance may differ as a result of end-user environment and application.

ELECTRICAL DATA

# OF LEDS	DRIVE CURRENT (mA)	INPUT VOLTAGE (V)	CURRENT (Amps)	SYSTEM POWER (w)
24	350mA	120	0.23	28
		277	0.10	28
		347	0.08	28
		480	0.06	28
	500mA	120	0.34	41
		277	0.15	41
		347	0.12	41
		480	0.09	41
	750mA	120	0.50	60
		277	0.22	60
		347	0.17	60
		480	0.13	60
1050mA	120	0.69	83	
	277	0.30	83	
	347	0.24	83	
	480	0.17	83	

PROJECTED LUMEN MAINTENANCE

Ambient Temp.	OPERATING HOURS					
	0	25,000	50,000	TM-21-11 ¹ L96 60,000	100,000	L70 (hours)
25°C / 77°F	1.00	0.97	0.94	0.93	0.89	>296,000
40°C / 104°F	1.00	0.95	0.91	0.89	0.83	>191,000

1. Projected per IESNA TM-21-11 * (Nichia 219C, 1050mA, 85°C, 10,000 hrs)
Data references the extrapolated performance projections for the LNC3-24L-105 base model in a 40°C ambient, based on 10,000 hours of LED testing per IESNA LM-80-08.

LUMINAIRE AMBIENT TEMPERATURE FACTOR (LATF)

AMBIENT TEMPERATURE	LUMEN MULTIPLIER	
0° C	32° F	1.02
10° C	50° F	1.01
20° C	68° F	1.00
25° C	77° F	1.00
30° C	86° F	1.00
40° C	104° F	0.99

Use these factors to determine relative lumen output for average ambient temperatures from 0-40°C (32-104°F).



Hubbell Outdoor Lighting • 701 Millennium Boulevard • Greenville, SC 29607 • Phone: 864-678-1000

Due to our continued efforts to improve our products, product specifications are subject to change without notice.

© 2017 HUBBELL OUTDOOR LIGHTING, All Rights Reserved • For more information visit our website: www.hubbelloutdoor.com • Printed in USA LNC3-SPEC AUGUST 7, 2018 8:29 AM



GSU – INVERTED MOUNTING OPTION
(Requires Factory Installed lens option)



Inverted mounting capabilities for uplighting applications. Specially designed frosted acrylic diffuser option softens output, improves uniformity and protects LED lenses.

7PR-7-PIN RECEPTACLE
(Photocontrol and Wireless Controls by Others)



Standard NEMA 7-Pin receptacle for twist lock photocell or wireless controls (by others).

SCP - Programmable Occupancy Sensor

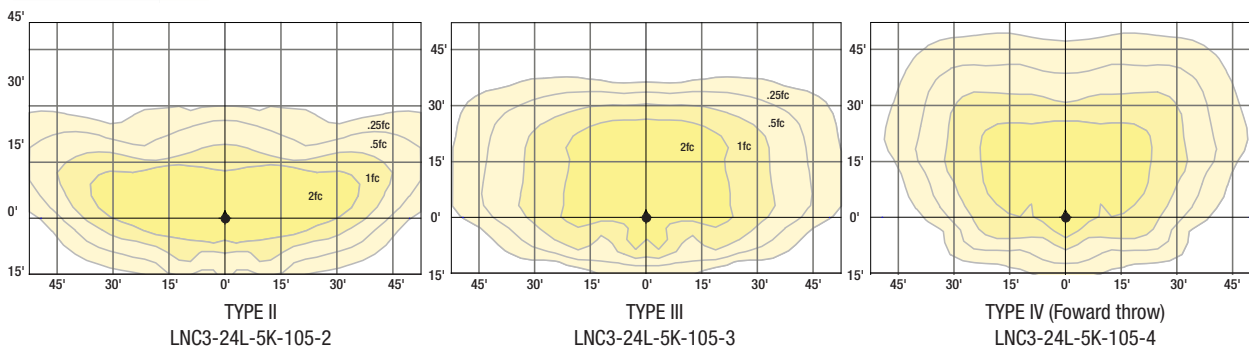


Sensor offers greater control and energy savings with SCP programmable sensor with adjustable delay and dimming levels (Factory default is 10%)

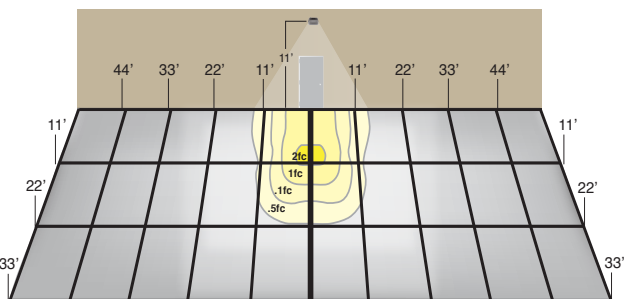
Visit: <http://www.hubbellighting.com/solutions/controls/> for control application information

PHOTOMETRICS

Mounting Height 15ft



PHOTOMETRICS - BATTERY BACK UP



Provides Life Safety Code average illuminance of 1.0 fc. Assumes open space with no obstructions and mounting height of 11'.

Diagrams for illustration purposes only, please consult factory for application layout.

Battery backup units consume 6 watts when charging a dead battery and 2 watts during maintenance charging. EH (units with a heater) consume up to an additional 8 watts when charging if the battery temp is lower than 10°C

E & EH EMERGENCY BATTERY BACKUP



24 High Power LEDs generate up to 6,000 lumens in Normal Mode, and use 4 LEDs for up to 700 lumens in emergency.

SWP & SWPM - SiteSync™



SiteSync Lighting Control is available from our most popular brands in a broad range of award-winning product families.

Precommissioned SiteSync Ordering Information:

When ordering a fixture with the SiteSync lighting control option, additional information will be required to complete the order. The SiteSync Commissioning Form or alternate schedule information must be completed. This form includes Project locations Group information, and Operating schedules. For more detailed information please visit www.HubbellLighting.com/products/sitesync or contact Hubbell Lighting tech support at (800) 345-4928.

SiteSync fixtures with occupancy sensor (SWPM) require the mounting height of the fixture selection of the lens.

Examples: LNC3-24L-4K-075-3-U-BL-SWP
LNC3-24L-4K-075-3-U-BL-SWPM-20F

SiteSync only
SiteSync with Motion Control

