

DOOR NO.	TYPE	DOOR						FRAME						GENERAL
		WIDTH	HEIGHT	THICKNESS	MATERIAL	FINISH	INSULATED	TYPE	MATERIAL	DETAILS				
										HEAD	JAMB	SEL	CLOSER	

FIRST FLOOR																		
01	A	3'-0"	6'-8"	1'-3/4"	WD/GL	PTD.	Y	-	WD	AL	-	-	-	Y	-	LS	ACCESSIBLE THRESHOLD	
02	A	3'-0"	6'-8"	1'-3/4"	WD/GL	PTD.	Y	-	WD	AL	-	-	-	Y	-	LS		
03	A	3'-0"	6'-8"	1'-3/4"	WD/GL	PTD.	Y	-	WD	AL	-	-	-	Y	-	LS	ACCESSIBLE THRESHOLD	
04	A	3'-0"	6'-8"	1'-3/4"	WD/GL	PTD.	Y	-	WD	AL	-	-	-	Y	-	LS		
05	C	3'-0"	6'-8"	1'-3/4"	WD	PTD.	N	-	WD	WD	-	-	-	Y	C	LS		
06	C	3'-0"	6'-8"	1'-3/4"	WD	PTD.	N	-	WD	WD	-	-	-	Y	C	LS	ACCESSIBLE THRESHOLD	
07	C	3'-0"	6'-8"	1'-3/4"	STL	PTD.	N	-	STL	-	-	-	-	Y	C	LS		
08	C	2'-8"	6'-8"	1'-3/4"	WD	PTD.	N	-	WD	-	-	-	-	-	-	-	LP	
09	C	3'-0"	6'-8"	1'-3/4"	WD	PTD.	N	-	WD	-	-	-	-	-	-	-	PR	
10	D	3'-8"	6'-8"	1'-3/4"	WD	PTD.	N	-	WD	-	-	-	-	-	-	-	LP	DOUBLE DOOR
11	D	3'-8"	6'-8"	1'-3/4"	WD	PTD.	N	-	WD	-	-	-	-	-	-	-	LP	DOUBLE DOOR
12	D	5'-0"	6'-8"	1'-3/4"	WD	PTD.	N	-	WD	VIN	-	-	-	-	-	-	LP	DOUBLE DOOR
13	C	3'-0"	6'-8"	1'-3/4"	WD	PTD.	N	-	WD	-	-	-	-	-	-	-	PR	
14	C	3'-0"	6'-8"	1'-3/4"	WD	PTD.	N	-	WD	-	-	-	-	-	-	-	PR	
15	C	3'-0"	6'-8"	1'-3/4"	WD	PTD.	N	-	WD	VIN	-	-	-	-	-	-	PR	
16	D	4'-0"	6'-8"	1'-3/4"	WD	PTD.	N	-	WD	-	-	-	-	-	-	-	LP	DOUBLE DOOR

SECOND FLOOR																		
17	B	3'-0"	6'-8"	1'-3/4"	WD/GL	PTD.	Y	-	WD	AL	-	-	-	-	-	-	LS	
18	C	2'-4"	6'-8"	1'-3/4"	WD	PTD.	N	-	WD	VIN	-	-	-	-	-	-	PR	
19	NOT USED																	
20	D	4'-0"	6'-8"	1'-3/4"	WD	PTD.	N	-	WD	-	-	-	-	-	-	-	LP	DOUBLE DOOR
21	C	2'-4"	6'-8"	1'-3/4"	WD	PTD.	N	-	WD	VIN	-	-	-	-	-	-	PR	
22	E	2'-0"	6'-8"	1'-3/4"	WD	PTD.	N	-	WD	-	-	-	-	-	-	-	LP	
23	NOT USED																	
24	B	2'-8"	6'-8"	1'-3/4"	WD/GL	PTD.	Y	-	WD	AL	-	-	-	-	-	-	LS	

THIRD FLOOR																		
25	C	2'-8"	6'-8"	1'-3/4"	WD	PTD.	N	-	WD	-	-	-	-	-	-	-	PR	
26	C	2'-8"	6'-8"	1'-3/4"	WD	PTD.	N	-	WD	-	-	-	-	-	-	-	PR	
27	D	4'-0"	6'-8"	1'-3/4"	WD	PTD.	N	-	WD	-	-	-	-	-	-	-	LP	DOUBLE DOOR
28	D	4'-0"	6'-8"	1'-3/4"	WD	PTD.	N	-	WD	-	-	-	-	-	-	-	LP	DOUBLE DOOR
29	F	4'-8"	6'-8"	1'-3/4"	WD	PTD.	N	-	WD	VIN	-	-	-	-	-	-	LP	DOUBLE DOOR
30	C	2'-8"	6'-8"	1'-3/4"	WD	PTD.	N	-	WD	-	-	-	-	-	-	-	PR	
31	D	5'-0"	6'-8"	1'-3/4"	WD	PTD.	N	-	WD	-	-	-	-	-	-	-	LP	DOUBLE DOOR
32	C	2'-4"	6'-8"	1'-3/4"	WD	PTD.	N	-	WD	VIN	-	-	-	-	-	-	PR	
33	C	2'-8"	6'-8"	1'-3/4"	WD	PTD.	N	-	WD	-	-	-	-	-	-	-	PR	
34	C	2'-8"	6'-8"	1'-3/4"	WD	PTD.	N	-	WD	-	-	-	-	-	-	-	LP	
35	C	2'-8"	6'-8"	1'-3/4"	WD	PTD.	N	-	WD	-	-	-	-	-	-	-	PR	
36	D	5'-0"	6'-8"	1'-3/4"	WD	PTD.	N	-	WD	-	-	-	-	-	-	-	LP	DOUBLE DOOR
37	D	5'-0"	6'-8"	1'-3/4"	WD	PTD.	N	-	WD	-	-	-	-	-	-	-	LP	DOUBLE DOOR
38	C	2'-8"	6'-8"	1'-3/4"	WD	PTD.	N	-	WD	VIN	-	-	-	-	-	-	PR	
39	C	2'-4"	6'-8"	1'-3/4"	WD	PTD.	N	-	WD	VIN	-	-	-	-	-	-	PR	
40	F	4'-8"	6'-8"	1'-3/4"	WD	PTD.	N	-	WD	VIN	-	-	-	-	-	-	LP	DOUBLE DOOR
41	C	2'-8"	6'-8"	1'-3/4"	WD	PTD.	N	-	WD	-	-	-	-	-	-	-	LP	

BASEMENT																		
42	J	3'-0"	3'-0"	1'-3/4"	MTL	PTD.	Y	-	MTL	MTL	-	-	-	-	-	-	-	-

NO.	SECTION	ROUGH OPENING	HEIGHT	DETAILS				REMARKS
				HEAD	JAMB	SEL	GLASS	
C	AW	1'-11" X 1'-11"	V.I.F.	-	-	VINYL WHITE	EGRESS IN BEDROOMS, EXT JAMBS	
D	DH	1'-11" X 5'-0"	7'-0"	-	-	VINYL WHITE	EXT. JAMBS. FROSTED GLAS IN BATHROOM	
E	LV	5'-3 1/2" X 2'-8"	V.I.F.	-	-	WOOD	FOR HEAD HEIGHTS SEE FLOOR PLANS AND ELEVATIONS	
F	RD	27 3/4" DIA	11'-8"	-	-	VINYL WHITE	EXT. JAMBS	
ATTIC LOUVER WITH INSECT/BIRD SCREEN, SEE ELEVATIONS								
HEAD HEIGHT AFF THRD FLOOR								

WINDOW SCHEDULE

WINDOW TYPES - SCALE 1/4"=1'-0"														
A	DOUBLE HUNG	B	DOUBLE HUNG	C	AWNING	D	DOUBLE HUNG	E	ATTIC LOUVER	F	ATTIC LOUVER			

NOTES:
1. FULL SCREENS ALL OPENINGS
2. VERIFY ALL ROUGH OPENINGS
3. ALL GLAZING INSULATED
4. FRAME OPENINGS WITH ELEVATIONS
5. 1 1/4" DIVIDER BARS W/ SPACERS

DOOR TYPES - SCALE 1/4"=1'-0"

A ENTRY DOOR

B EXT. DOOR PORCH

C 6 PANEL SINGLE INTERIOR

D 6 PANEL DOUBLE INTERIOR

E 2 PANEL SINGLE INTERIOR

F 2 PANEL DOUBLE INTERIOR

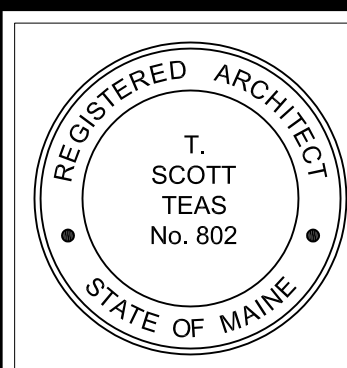
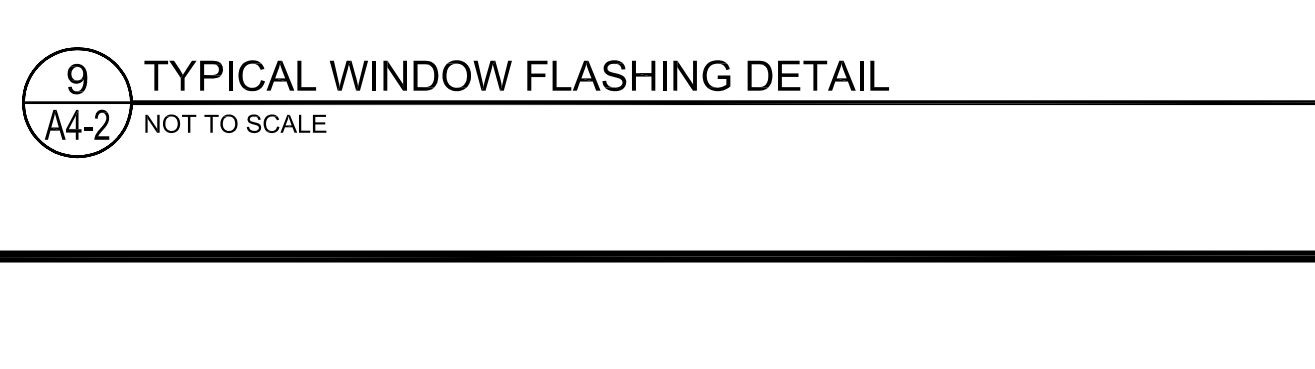
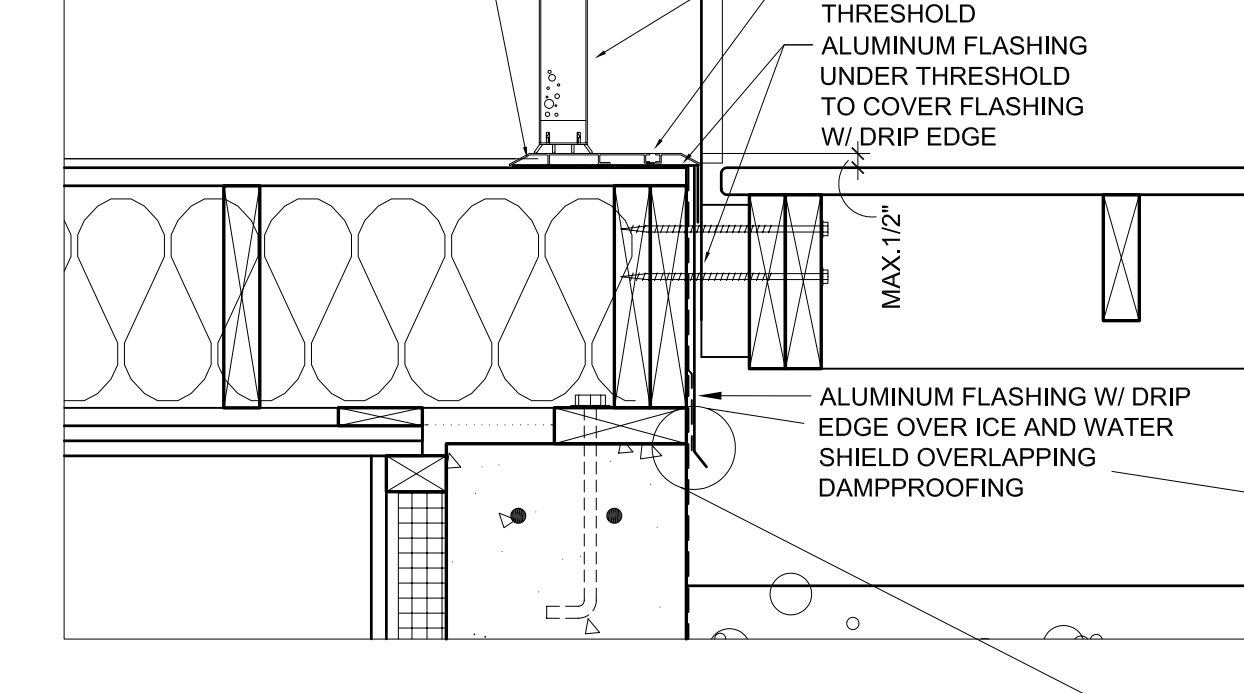
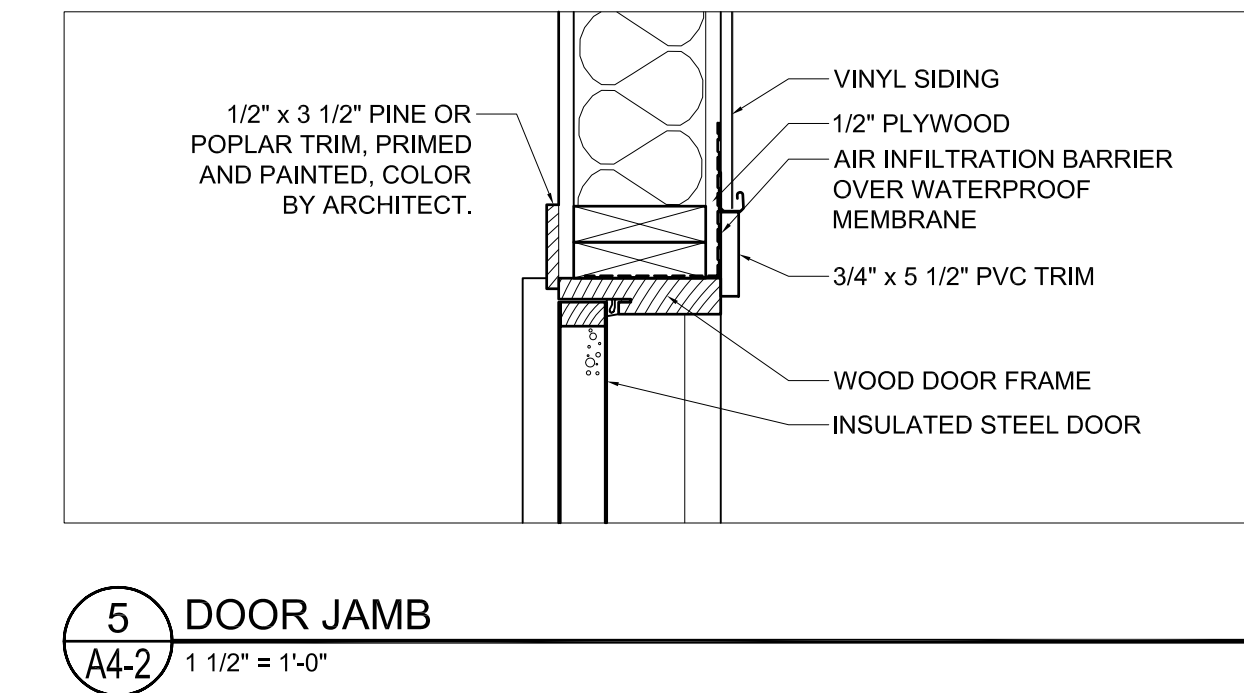
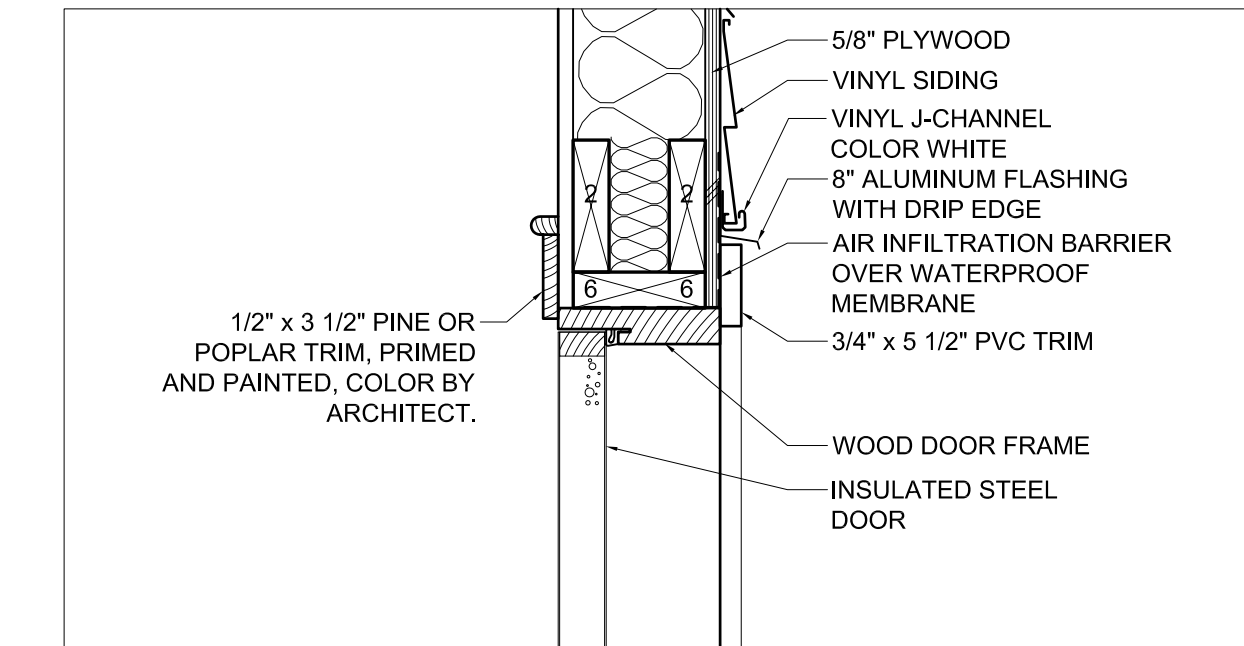
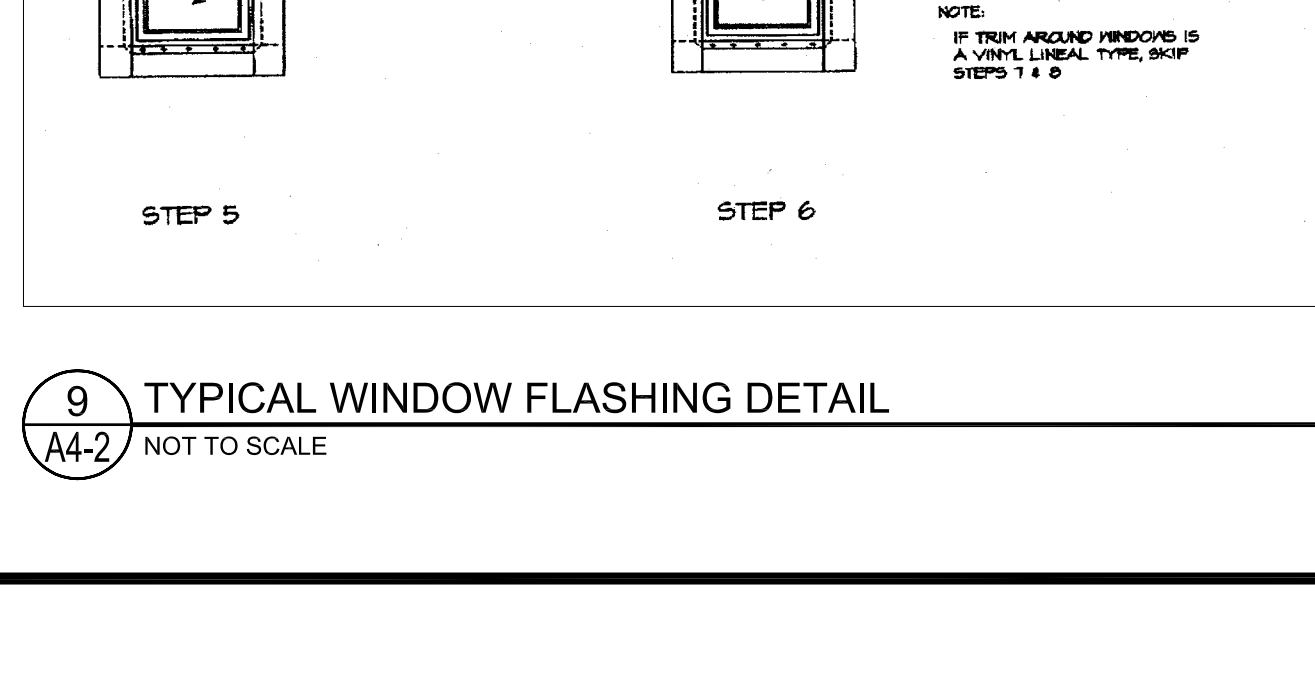
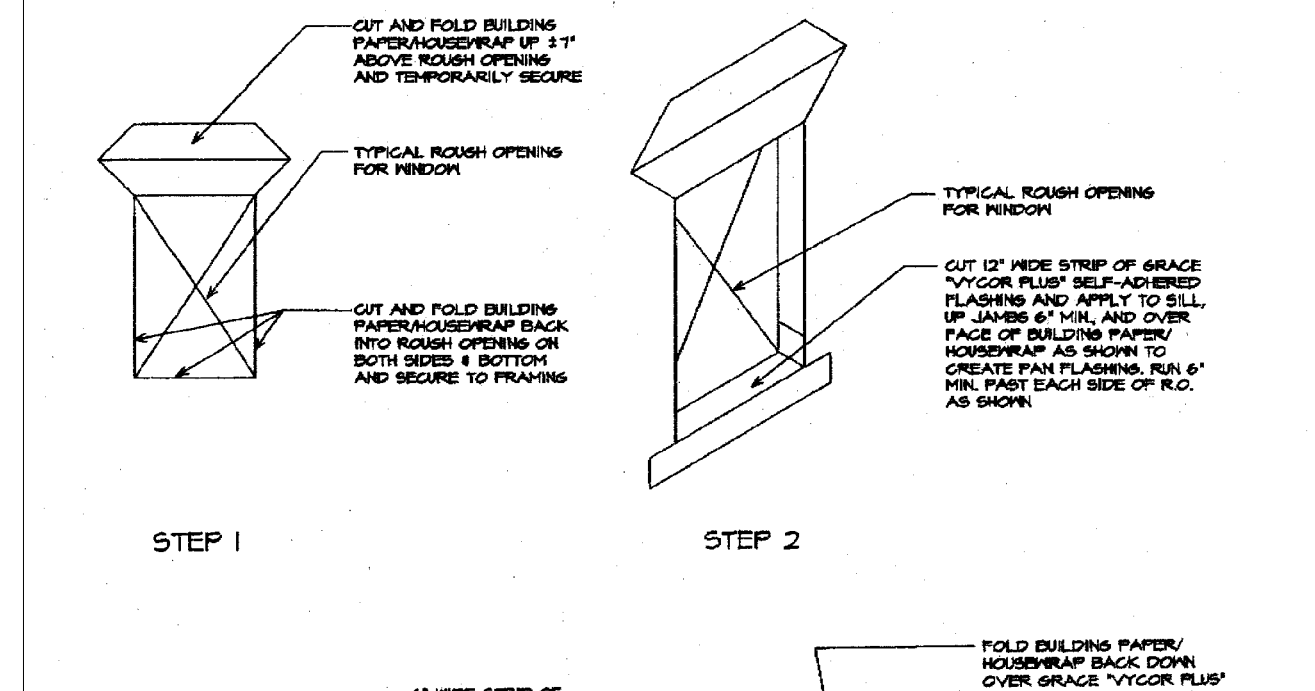
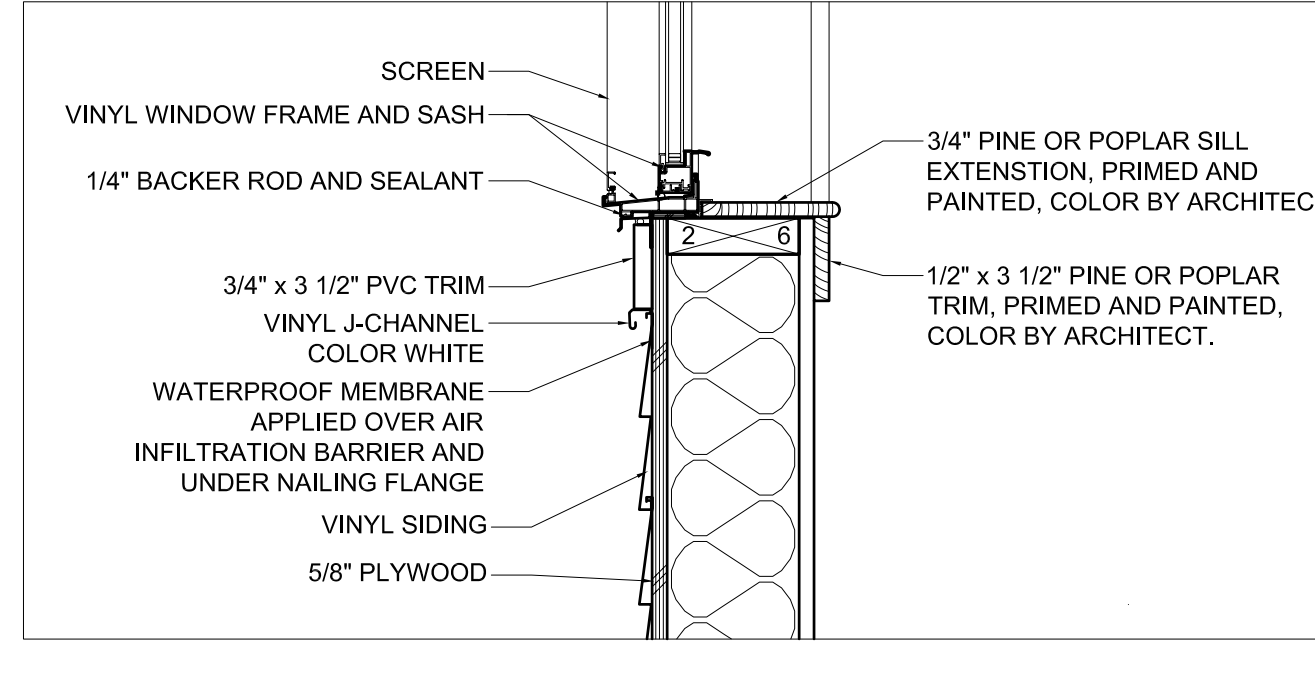
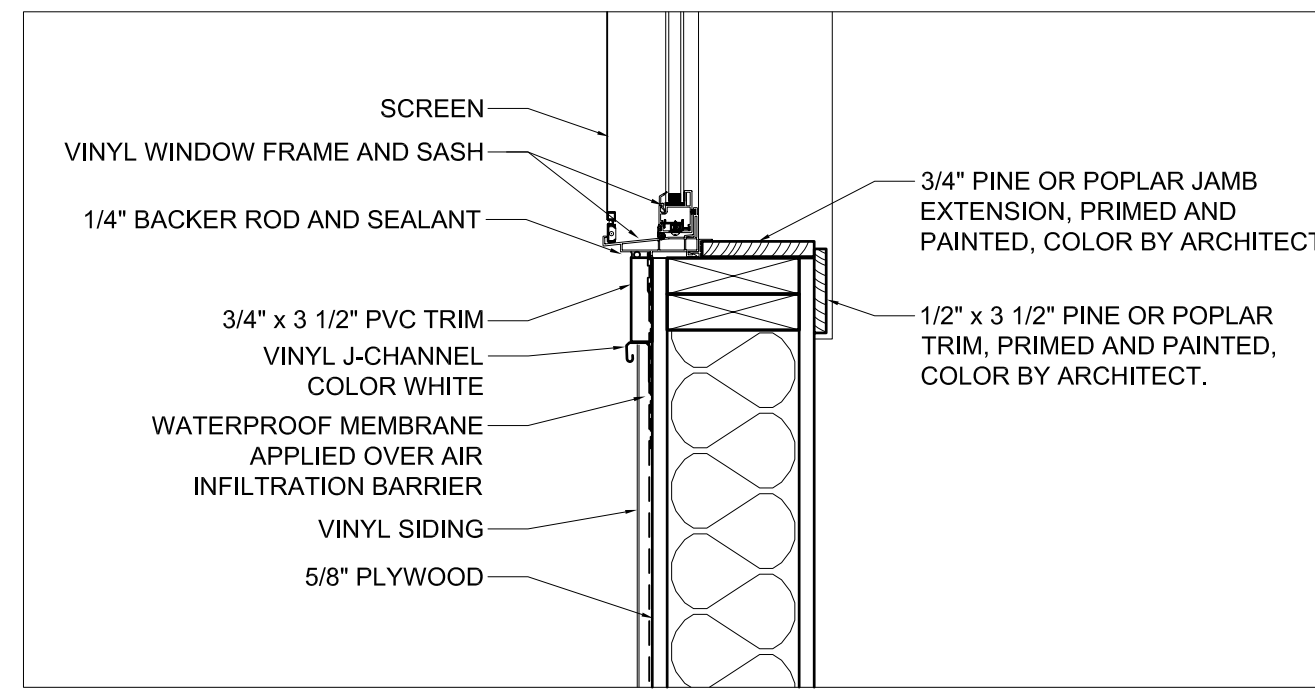
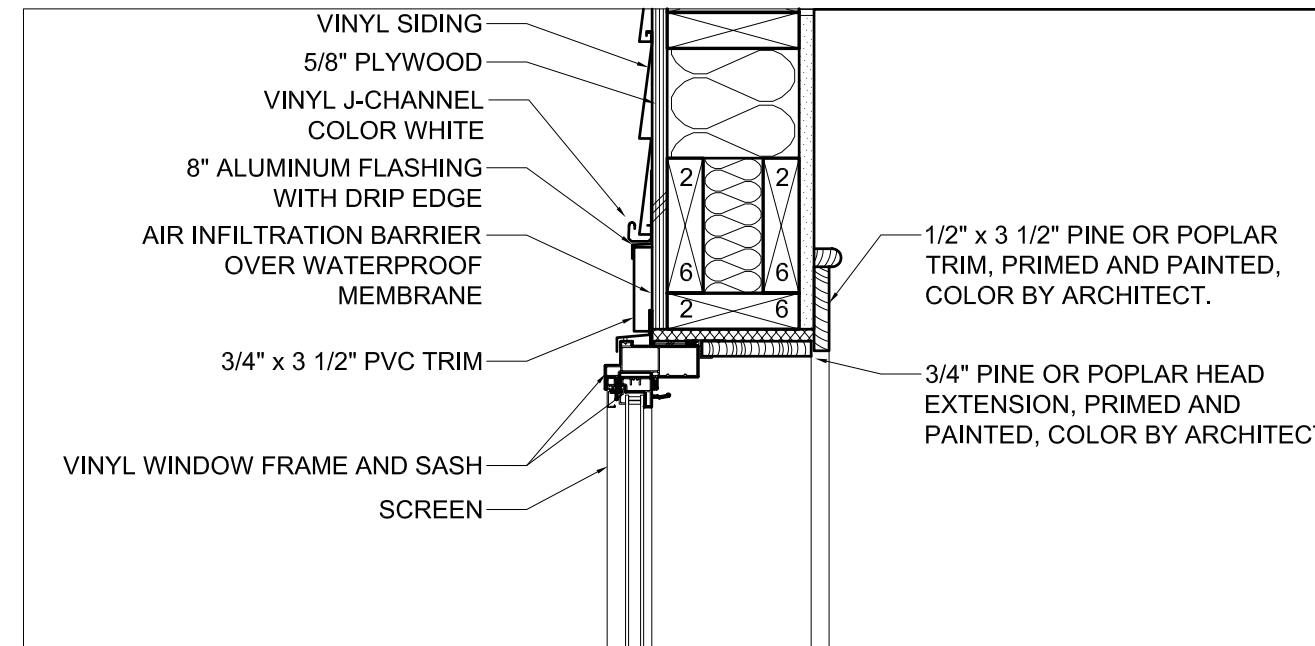
G RATED GLAZED

H HOLLOW METAL

I HOLLOW METAL W LOUVER

J ACCESS DOOR

NOTES:
1. VERIFY ALL ROUGH OPENINGS
2. ALL EXT. DOOR GLAZING INSULATED
3. FRAME OPENINGS WITH ELEVATIONS
4. ALL EXTERIOR & VESTIBULE DOORS TO BE WEATHERSTRIPPED



© 2005 TFH ARCHITECTS



ANDERSON STREET - BUILDING 3
PEOPLE'S REGIONAL OPPORTUNITY PROGRAM
PORTLAND, MAINE

TFH ARCHITECTS
100 COMMERCIAL STREET
PORTLAND MAINE 04101
TELEPHONE 207 775 6141
ARCHITECTURE PLANNING

CONSULTANTS:
CIVIL: Whelan & Greer
170 US Route One
Farmington, ME 04105
207-781-8242
STRUCTURAL: Structural Design Consulting
Five Salsman Lane
Farmington, ME 04105-2448
207-878-8008
MECHANICAL: Whelan Engineering
10 Danforth Place
Portland, ME 04102
207-833-2921
ELECTRICAL: Bennett Engineering
7 Bennett Road
Farmington, ME 04102
207-856-9475

REVISIONS:

DATE: 01/14/05

PROJECT No.: 0406

DRAWN BY: SA/RJS

CHECKED BY: DAM

SCALE: AS NOTED

SHEET TITLE:
DOOR AND WINDOW SCHEDULE

A4.2