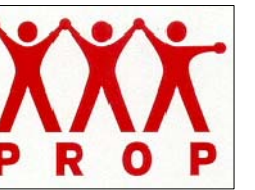
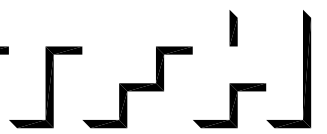


© 2004 TFH ARCHITECTS



23 NORTH STREET - WESTBROOK, ME
PEOPLE'S REGIONAL OPPORTUNITY PROGRAM
PORTLAND, MAINE



TFH ARCHITECTS
100 COMMERCIAL STREET
PORTLAND MAINE 04101
TELEPHONE 207 775 6141
ARCHITECTURE PLANNING

CONSULTANTS:

REVISIONS:

DATE: 01/26/05

PROJECT No. 0406

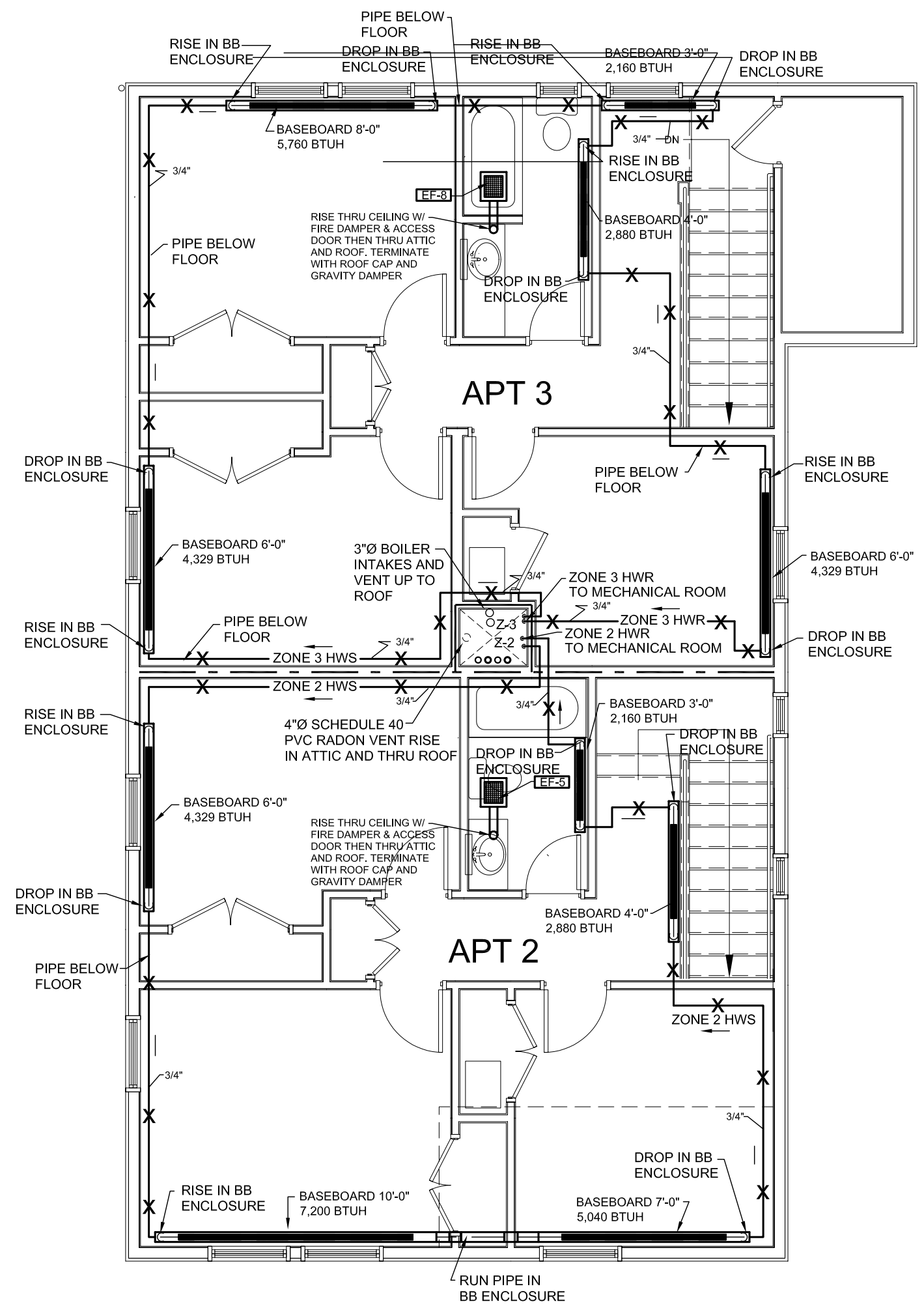
DRAWN BY: SA/RJS

CHECKED BY: DAM

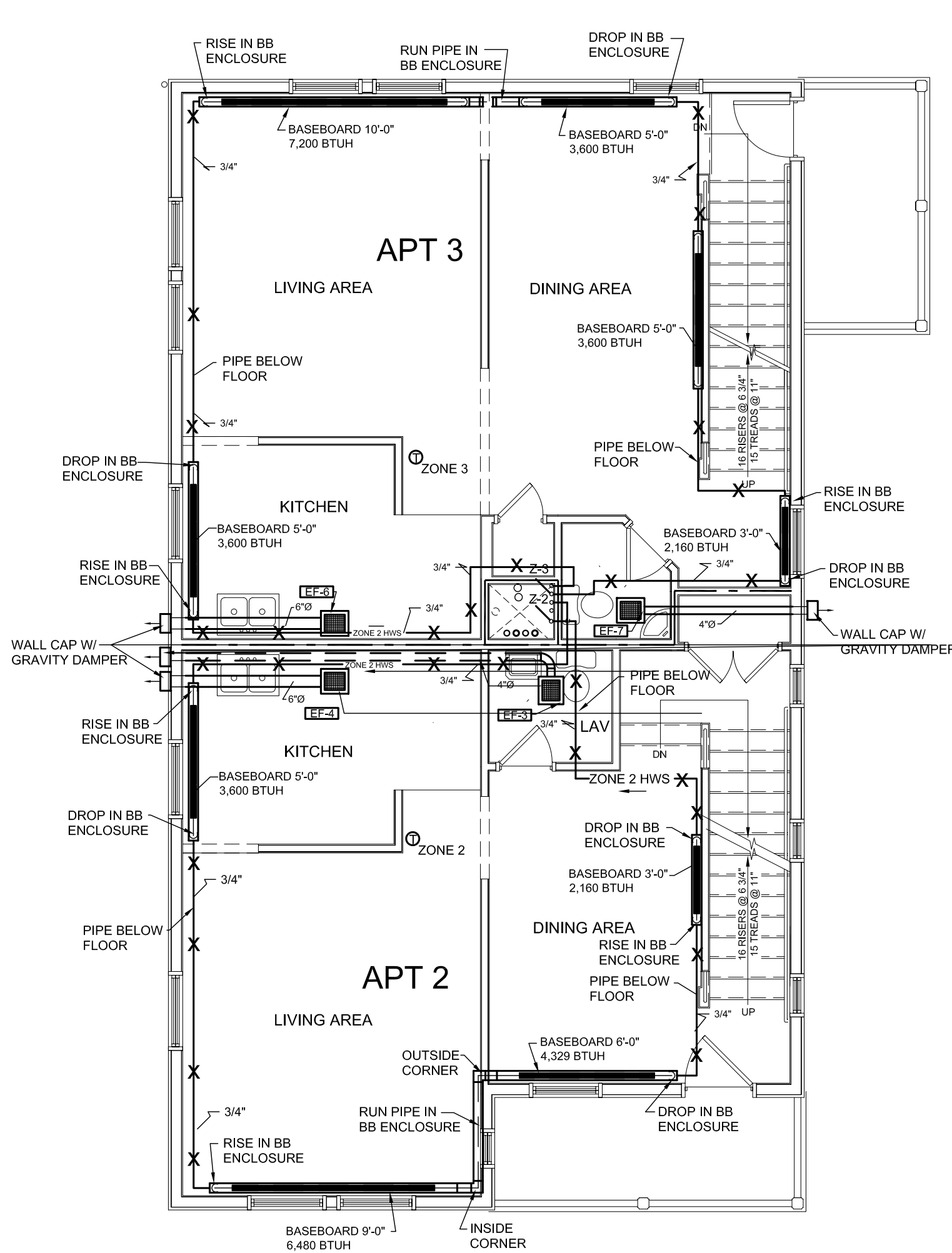
SCALE: AS NOTED

SHEET TITLE:
HEATING PLAN

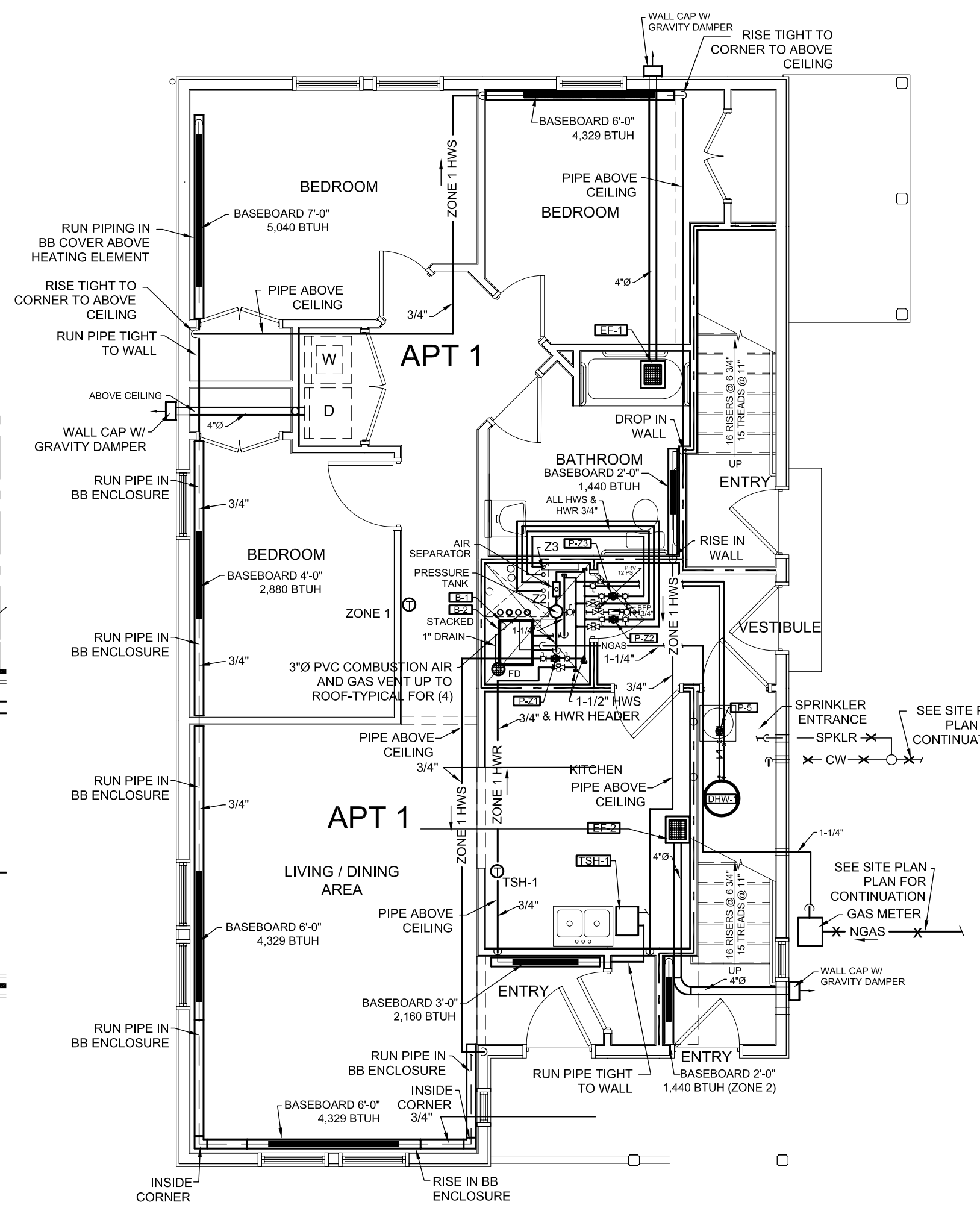
M1.1



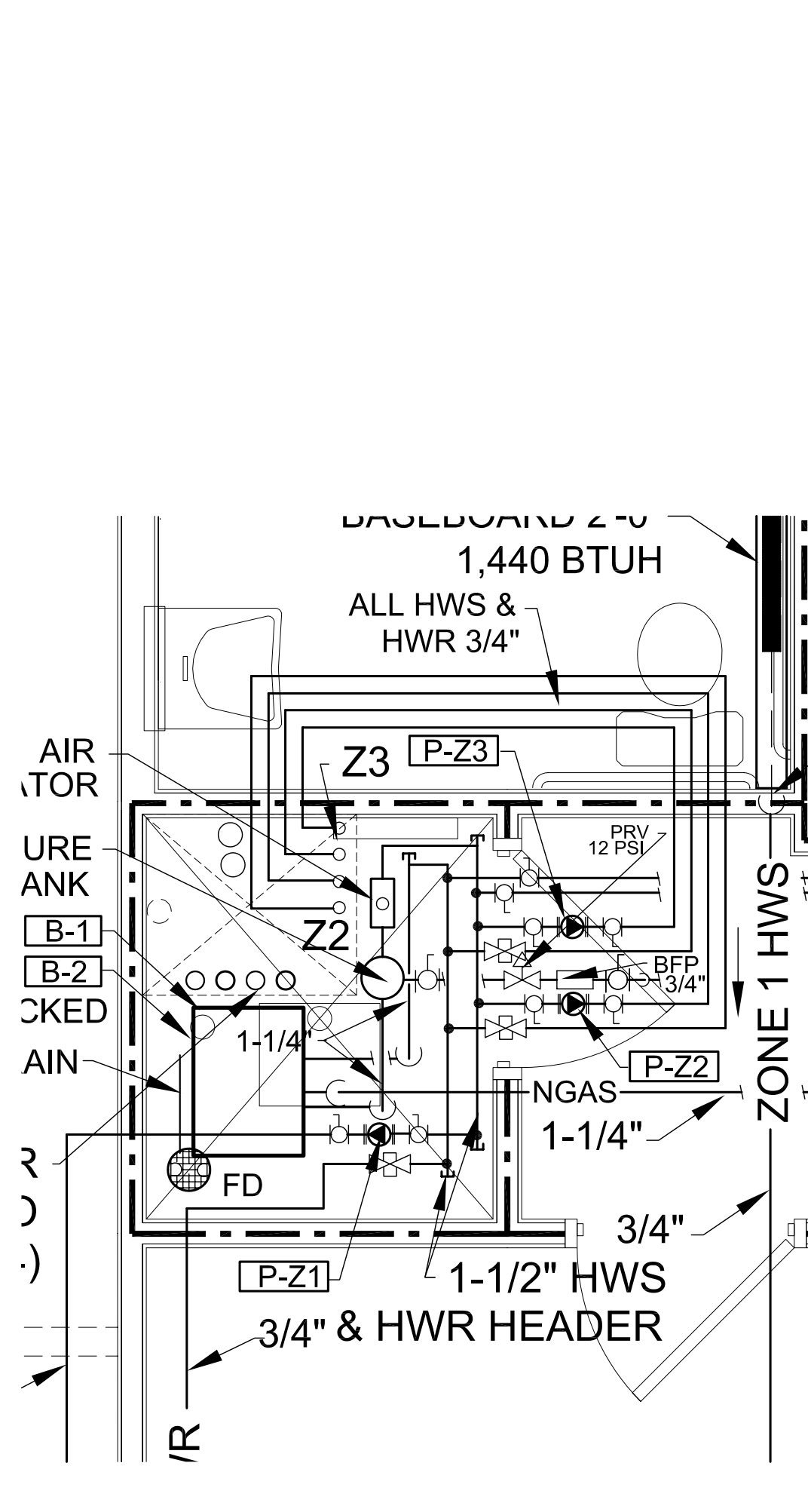
4 THIRD FLOOR
M1.1 3/16" = 1'-0"



3 SECOND FLOOR
M1.1 3/16" = 1'-0"



2 FIRST FLOOR
M1.1 3/16" = 1'-0"



1 MECHANICAL ROOM LAYOUT
M1.1 3/8" = 1'-0"