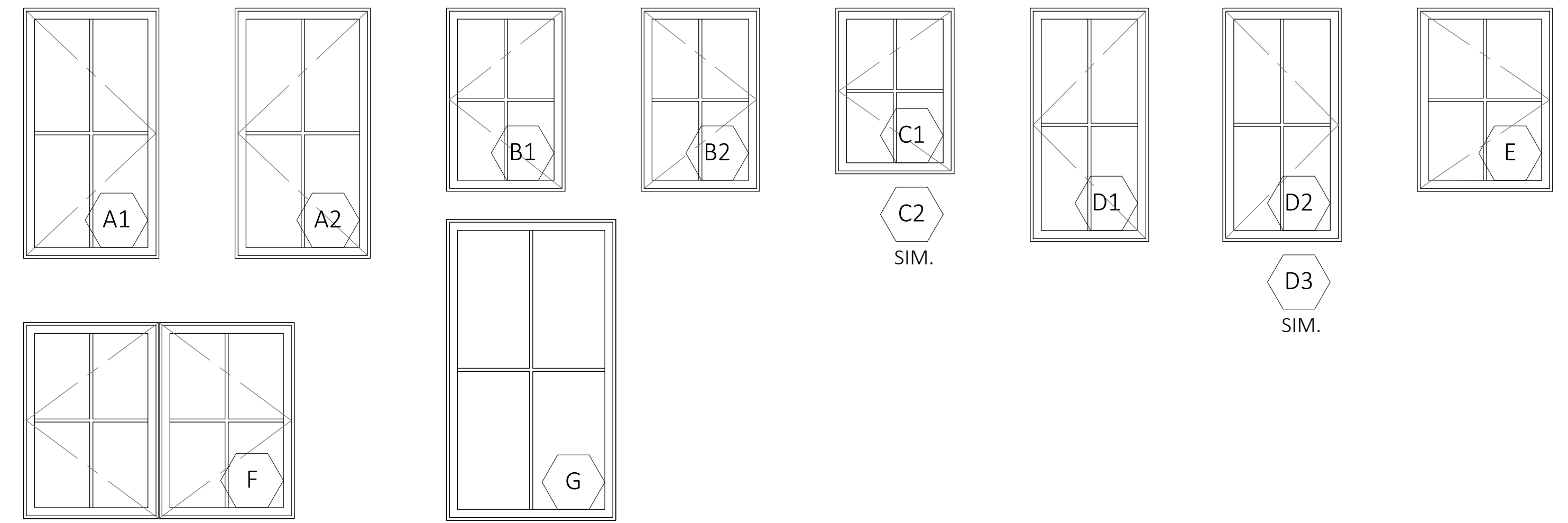


WINDOW SCHEDULE

Unit	Style	MFGR	Description	Width	Height	Notes	above subfloor	Temp.	Egress	U-factor	SHGC	VLT
A1	Casement	Marvin	Integrity - ICA3359 - Right Hinge - 2/2 SDL	2'-8"	4'-11 1/8"		6'-8"	YES	YES	0.31-0.32	0.27-0.28	0.46
A2	Casement	Marvin	Integrity - ICA3359 - Left Hinge - 2/2 SDL	2'-8"	4'-11 1/8"		6'-8"	YES	YES	0.31-0.32	0.27-0.28	0.46
B1	Casement	Marvin	Integrity - ICA2943 - Left Hinge - 2/2 SDL	2'-4"	3'-7 1/4"		6'-8"	NO	YES	0.31-0.32	0.27-0.28	0.46
B2	Casement	Marvin	Integrity - ICA2943 - Right Hinge - 2/2 SDL	2'-4"	3'-7 1/4"		6'-8"	NO	YES	0.31-0.32	0.27-0.28	0.46
C1	Casement	Marvin	Integrity - ICA2939 - Left Hinge - 2/2 SDL	2'-4"	3'-3 1/8"		6'-8"	YES	NO	0.31-0.32	0.27-0.28	0.46
D1	Casement	Marvin	Integrity - ICA2955 - Left Hinge - 2/2 SDL	2'-4"	4'-7 1/8"		6'-8"	NO	YES	0.31-0.32	0.27-0.28	0.46
D2	Casement	Marvin	Integrity - ICA2955 - Right Hinge - 2/2 SDL	2'-4"	4'-7 1/8"		6'-8"	NO	YES	0.31-0.32	0.27-0.28	0.46
D3	Casement	Marvin	Integrity - ICA2955 - Right Hinge - 2/2 SDL	2'-4"	4'-7 1/8"		6'-8"	YES	YES	0.31-0.32	0.27-0.28	0.46
E	Casement	Marvin	Integrity - ICA3343 - Right Hinge - 2/2 SDL	2'-8"	3'-7 1/4"		5'-8"	NO	YES	0.31-0.32	0.27-0.28	0.46
F	Casement	Marvin	Integrity - ICA3347 2W E - 2-unit - Left/Right - 2/2 SDL	5'-4"	3'-11 1/8"		6'-8"	NO	YES	0.31-0.32	0.27-0.28	0.46
G	Picture	Marvin	Integrity - ICA4171T - 2/2 SDL	3'-4"	5'-11 1/8"			YES	NO	0.31-0.32	0.27-0.28	0.46

- Notes:
1. Combo unit mulling location: factory
  2. Glazing: Double-glazed, Low-E/Clear/Low-E, Argon Gas
  3. Performance: U-value <= 0.31-0.32 BTU/(hr.ft2.F) SHGC <= 0.27-0.28
  4. Divided Lites: Simulated Divided Lite
  5. Hardware: Standard Hardware
  6. Insect screen: Charcoal gray, fiberglass mesh
  7. Exterior: Color, TBD
  8. Interior: Pre-finished white, TBD
  9. All window sizes to be confirmed by contractor in field prior to order.

10. Typical header sizes (unless noted otherwise):  
 - windows 3'-4" and narrower to have (2) 2x6 header  
 - windows wider than 3'-4" to have (2) 2x10 header  
 11. Jack/king studs as required by code.

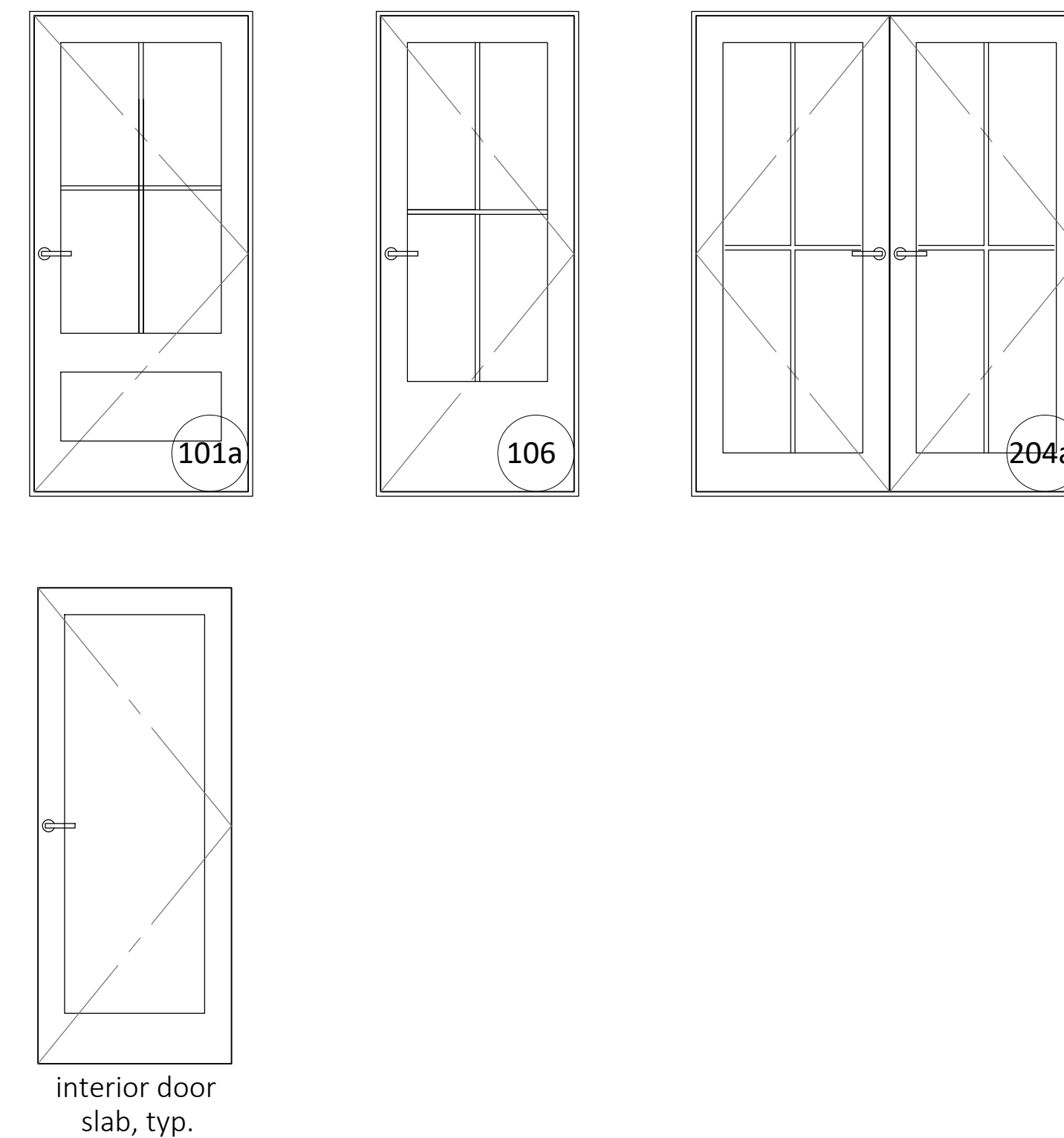


DOOR SCHEDULE

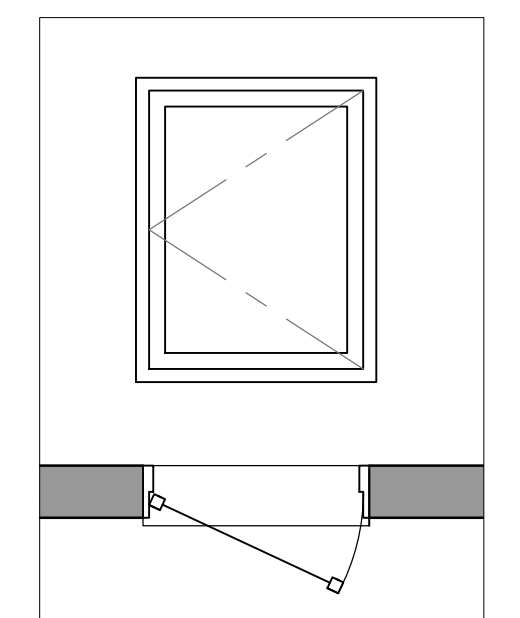
EXTERIOR DOORS				Door unit size			Glazing				
Unit	Style	MFGR	Description	Width	Height	Notes	Swing	U-factor	SHGC		VLT
001	Entry	Thermatru	Insulated Fiberglass Slab Door	V.I.F.	V.I.F.	Masonry opening	LHIS	0.14	0.01		
101a	Entry	Simpson Door	Inswing entry door	3'-0"	6'-8"		RHIS	0.44	0.25		0.24
106	Patio	Marvin	Integrity - Inswing french patio	2'-8"	6'-7 1/2"		RHIS	0.31	0.24		0.4
204a	Dbl French	Marvin	Integrity IIFD5465 XX - Dbl French inswing	5'-3"	6'-7 1/2"		Double Inswing	0.31	0.24		0.4
INTERIOR DOORS				Door slab size			Glazing				
Unit	Style	MFGR	Description	Width	Height	Notes	Swing	U-factor	SHGC		VLT
101b	Bi-pass slider	TBD		4'-0"	6'-8"		Bi-pass				
101c	Pocket door	TBD		3'-1"	6'-8"		Pocket				
101d	Passage	TBD		2'-6"	6'-8"		LHIS				
102	Passage	TBD		2'-6"	6'-8"	Privacy Set	LHIS				
103a	Passage	TBD		2'-6"	6'-8"	Privacy Set	RHIS				
103b	Passage	TBD		2'-6"	6'-8"		LHIS				
201a	Pocket door	TBD		2'-6"	6'-8"	Privacy Set	Pocket				
201b	Passage	TBD		2'-6"	6'-8"		LHIS				
202	Pocket door	TBD		2'-8"	6'-8"		Pocket				
204b	Pocket door	TBD		2'-6"	6'-8"	Privacy Set	Pocket				

- Ext. Door Notes:
1. Combo unit mulling location: factory
  2. Glazing: Double-insulated, Low-E/Clear/Low-E, Argon Gas
  3. Performance: See Above
  4. Hardware: Standard
  5. Insect screen: Charcoal gray, fiberglass mesh
  6. Exterior: Color, TBD
  7. Interior: Pre-finished white, TBD
  8. All door sizes to be confirmed by contractor in field prior to order.
  9. Typical header sizes (unless noted otherwise):  
 - doors 3'-0" and narrower to have (2) 2x6 header  
 - doors wider than 3'-0" to have (2) 2x10 header
  10. Jack/king studs as required by code.

- Int. Door Notes:
1. Hardware: TBD
  2. Panel type, TBD
  3. Slab material, See Schedule
  4. All door sizes to be confirmed by contractor in field prior to order.



KEY



NOTE:  
 WINDOW/DOOR OPERATION IS INDICATED BY DASHED LINE, POINT OF ARROW INDICATES PANEL SIDE WITH HINGES