

WINDOW SCHEDULE

Unit	Style	MFGR	Description	Width	Height	Notes	above subfloor	Temp.	Egress	U-factor	SHGC	VLT
A1	Casement	Marvin	Integrity - ICA3359 - Right Hinge - 2/2 SDL	2'-8"	4'-11 1/8"		6'-8"	YES	YES	0.31-0.32	0.27-0.28	0.46
A2	Casement	Marvin	Integrity - ICA3359 - Left Hinge - 2/2 SDL	2'-8"	4'-11 1/8"		6'-8"	YES	YES	0.31-0.32	0.27-0.28	0.46
B1	Casement	Marvin	Integrity - ICA2943 - Left Hinge - 2/2 SDL	2'-4"	3'-7 1/4"		6'-8"	NO	YES	0.31-0.32	0.27-0.28	0.46
B2	Casement	Marvin	Integrity - ICA2943 - Right Hinge - 2/2 SDL	2'-4"	3'-7 1/4"		6'-8"	NO	YES	0.31-0.32	0.27-0.28	0.46
C1	Casement	Marvin	Integrity - ICA2939 - Left Hinge - 2/2 SDL	2'-4"	3'-3 1/8"		6'-8"	NO	NO	0.31-0.32	0.27-0.28	0.46
C2	Casement	Marvin	Integrity - ICA2939 - Left Hinge - 2/2 SDL	2'-4"	3'-3 1/8"		6'-8"	YES	NO	0.31-0.32	0.27-0.28	0.46
D1	Casement	Marvin	Integrity - ICA2955 - Left Hinge - 2/2 SDL	2'-4"	4'-7 1/8"		6'-8"	NO	YES	0.31-0.32	0.27-0.28	0.46
D2	Casement	Marvin	Integrity - ICA2955 - Right Hinge - 2/2 SDL	2'-4"	4'-7 1/8"		6'-8"	NO	YES	0.31-0.32	0.27-0.28	0.46
D3	Casement	Marvin	Integrity - ICA2955 - Right Hinge - 2/2 SDL	2'-4"	4'-7 1/8"		6'-8"	YES	YES	0.31-0.32	0.27-0.28	0.46
E	Casement	Marvin	Integrity - ICA3343 - Right Hinge - 2/2 SDL	2'-8"	3'-7 1/4"		5'-8"	NO	YES	0.31-0.32	0.27-0.28	0.46
F	Casement	Marvin	Integrity - ICA3347 2W E - 2-unit - Left/Right - 2/2 SDL	5'-4"	3'-11 1/8"		6'-8"	NO	YES	0.31-0.32	0.27-0.28	0.46
G	Picture	Marvin	Integrity - ICAP4171T - 2/2 SDL	3'-4"	5'-11 1/8"			YES	NO	0.31-0.32	0.27-0.28	0.46

- Notes:
1. Combo unit mulling location: factory
 2. Glazing: Double-glazed, Low-E/Clear/Low-E, Argon Gas
 3. Performance: U-value <= 0.31-0.32 BTU/(hr.ft2.F) SHGC <= 0.27-0.28
 4. Divided Lites: Simulated Divided Lite
 5. Hardware: Standard Hardware
 6. Insect screen: Charcoal gray, fiberglass mesh
 7. Exterior: Color, TBD
 8. Interior: Pre-finished white, TBD
 9. All window sizes to be confirmed by contractor in field prior to order.

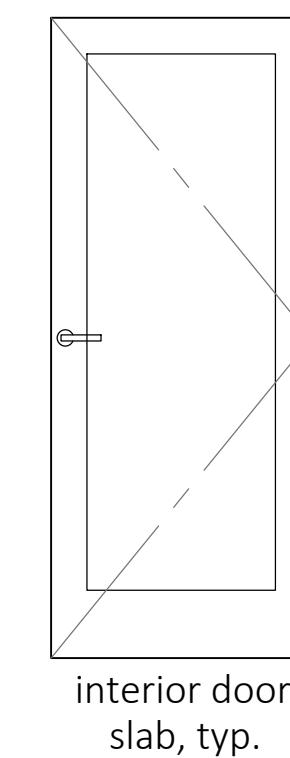
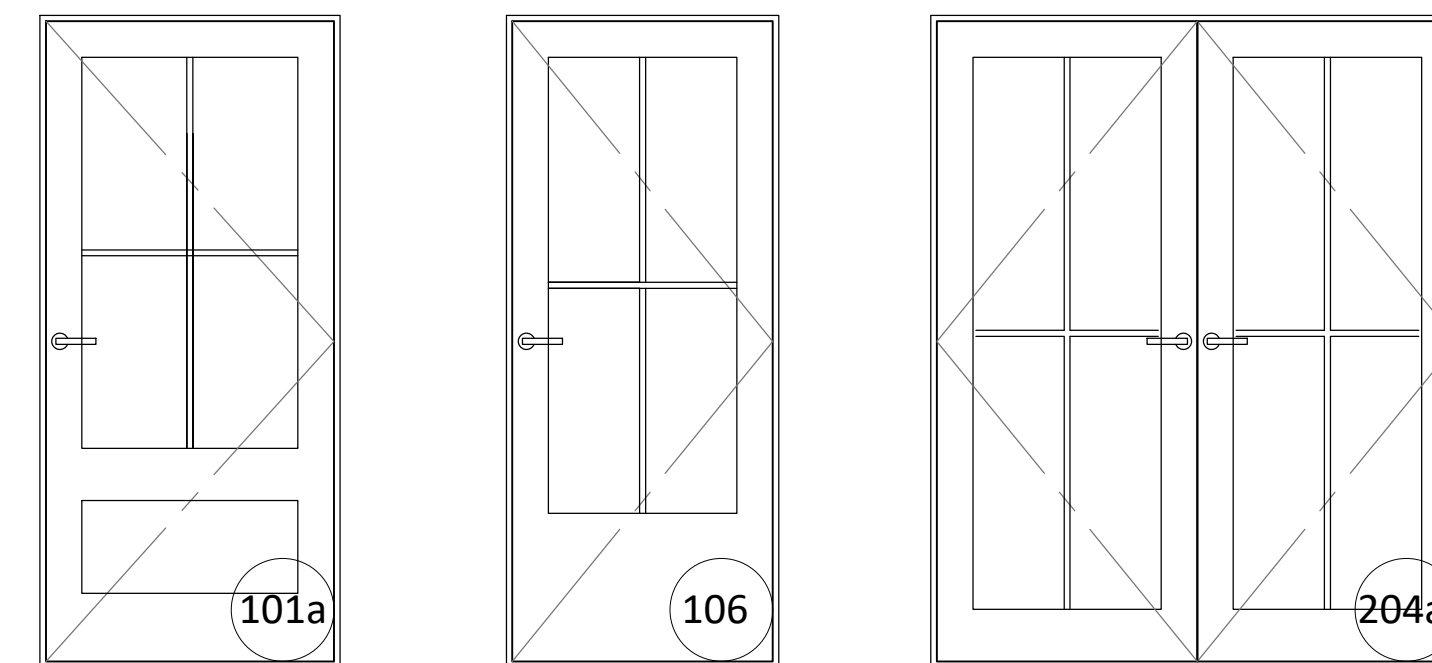


DOOR SCHEDULE

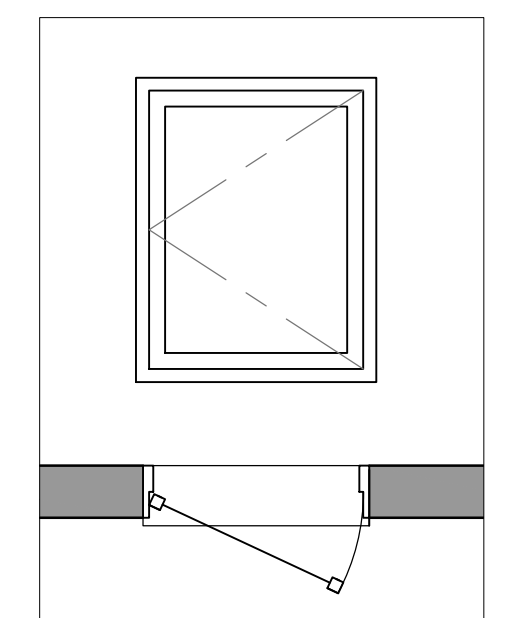
EXTERIOR DOORS			Door unit size				Glazing				
Unit	Style	MFGR	Description	Width	Height	Notes	Swing	U-factor	SHGC		VLT
00 1	Entry	Thermatru	Insulated Fiberglass Slab Door	V.I.F.	V.I.F.	Masonry opening	LHIS	0.14	0.01		
101a	Entry	Simpson Door	Inswing entry door w/ matching side light	4'-8"	6'-8"		RHIS	0.44	0.25		0.24
106	Patio	Marvin	Integrity - Inswing french patio	2'-8"	6'-7 1/2"		RHIS	0.31	0.24		0.4
204a	Dbl French	Marvin	Integrity IIFD5465 XX - Dbl French inswing	5'-3"	6'-7 1/2"		Double Inswing	0.31	0.24		0.4
INTERIOR DOORS			Door slab size				Glazing				
Unit	Style	MFGR	Description	Width	Height	Notes	Swing	U-factor	SHGC		VLT
101b	Bi-pass slider	TBD		4'-0"	6'-8"		Bi-pass				
101c	Pocket door	TBD		3'-1"	6'-8"		Pocket				
101d	Passage	TBD		2'-6"	6'-8"		LHIS				
102	Passage	TBD		2'-6"	6'-8"	Privacy Set	LHIS				
103a	Passage	TBD		2'-6"	6'-8"	Privacy Set	RHIS				
103b	Passage	TBD		2'-6"	6'-8"		LHIS				
201a	Pocket door	TBD		2'-6"	6'-8"	Privacy Set	Pocket				
201b	Passage	TBD		2'-6"	6'-8"		LHIS				
202	Pocket door	TBD		2'-8"	6'-8"		Pocket				
204b	Pocket door	TBD		2'-6"	6'-8"	Privacy Set	Pocket				

- Ext. Door Notes:
1. Combo unit mulling location: factory
 2. Glazing: Double-insulated, Low-E/Clear/Low-E, Argon Gas
 3. Performance: See Above
 4. Hardware: Standard
 5. Insect screen: Charcoal gray, fiberglass mesh
 6. Exterior: Color, TBD
 7. Interior: Pre-finished white, TBD
 8. All door sizes to be confirmed by contractor in field prior to order.

- Int. Door Notes:
1. Hardware: TBD
 2. Panel type, TBD
 3. Slab material, See Schedule
 4. All door sizes to be confirmed by contractor in field prior to order.



KEY



NOTE:
WINDOW/DOOR OPERATION IS INDICATED BY DASHED LINE, POINT OF ARROW INDICATES PANEL SIDE WITH HINGES