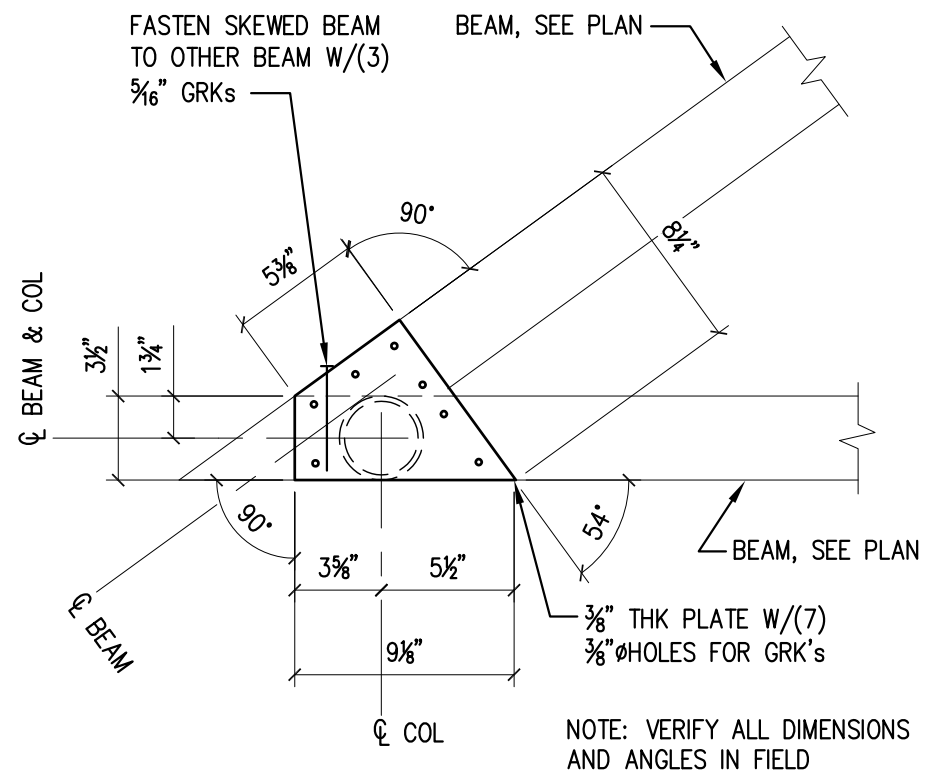
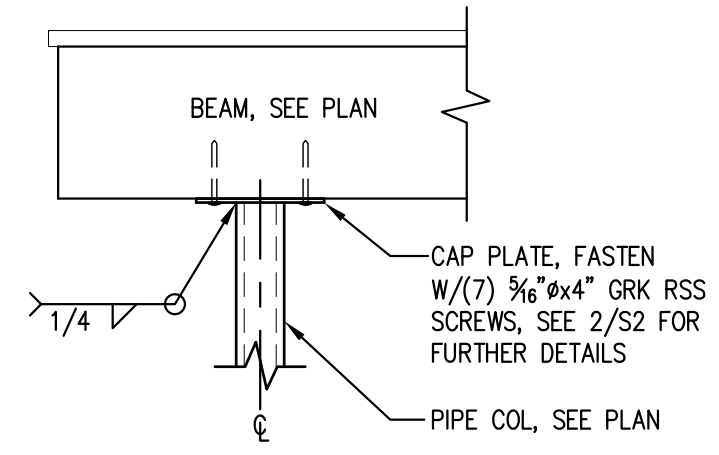


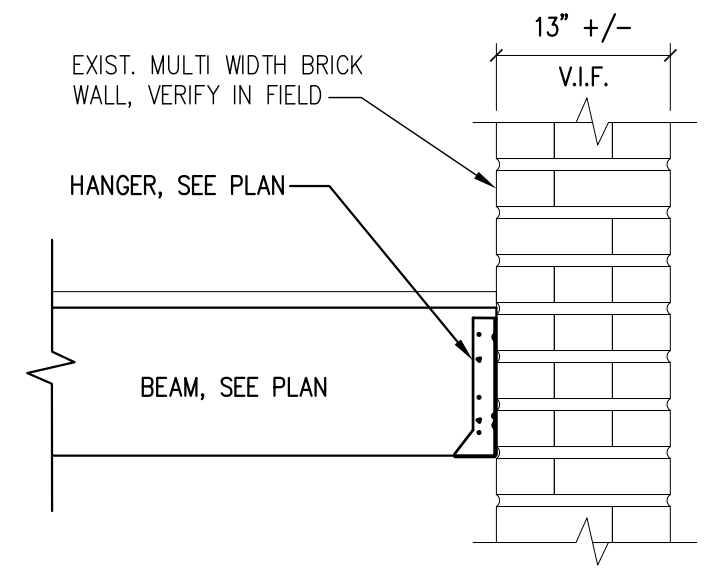
1 COL BASE DETAIL
1" = 1'-0"



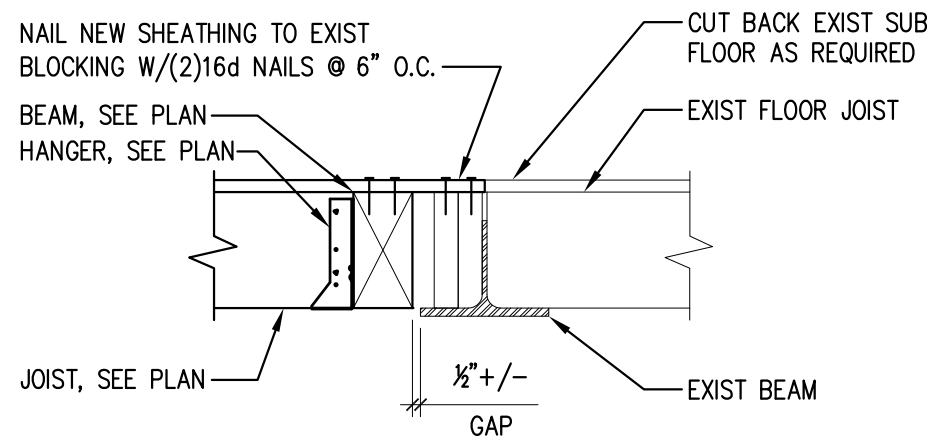
2 COL CAP DETAIL
1 1/2" = 1'-0"



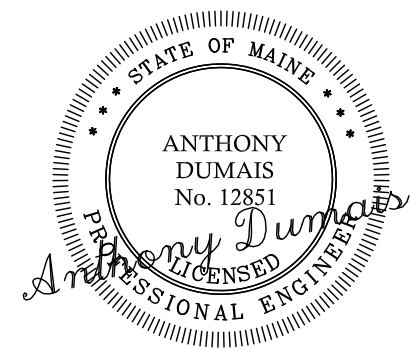
3 SECTION
1" = 1'-0"



4 SECTION @ BRICK WALL
1" = 1'-0"



5 SECTION
1" = 1'-0"



ISSUE	DATE	DESCRIPTION
No. 0	2-16-17	ISSUED FOR CONSTRUCTION

SHEET TITLE:
DETAILS

DESIGNED:	TD
DRAWN:	CD
DATE:	9-23-16
PROJECT No:	16-168