

CLIENT:
TANDEM COFFEE
 122 ANDERSON STREET
 PORTLAND ME 04101

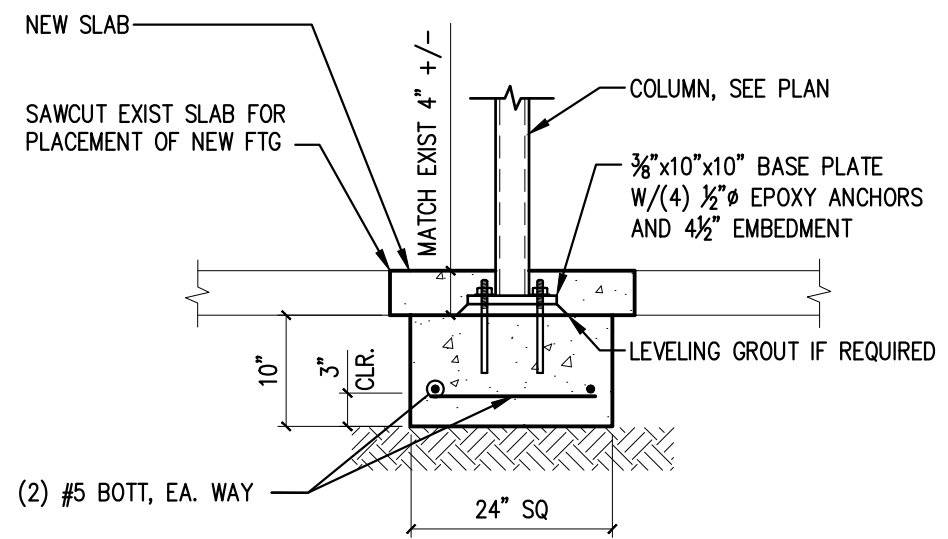
TANDEM COFFEE
 PORTLAND MAINE

ISSUE	DESCRIPTION	DATE
No. 0	ISSUED FOR CONSTRUCTION	10-4-16

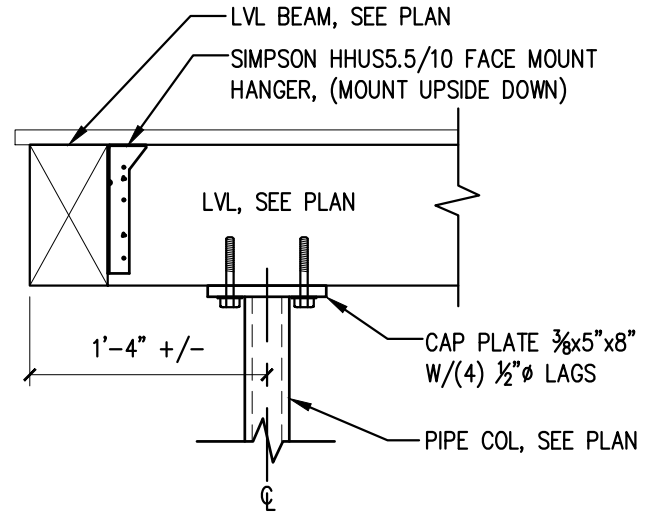
SHEET TITLE:
DETAILS

DESIGNED: TD
 DRAWN: CD
 DATE: 9-23-16
 PROJECT No: 16-168

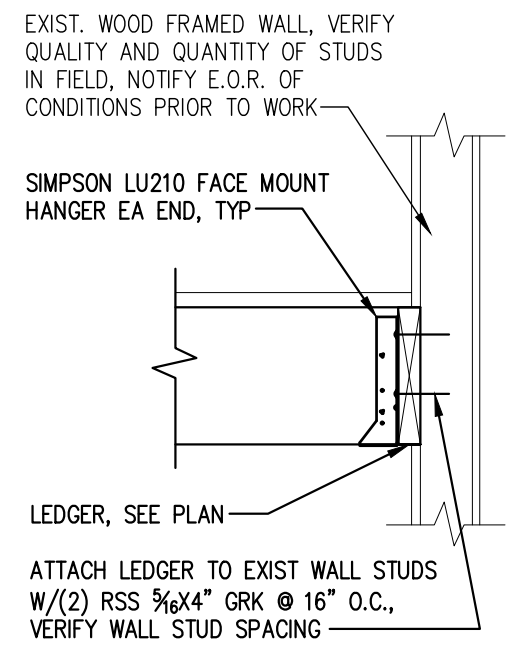
S2



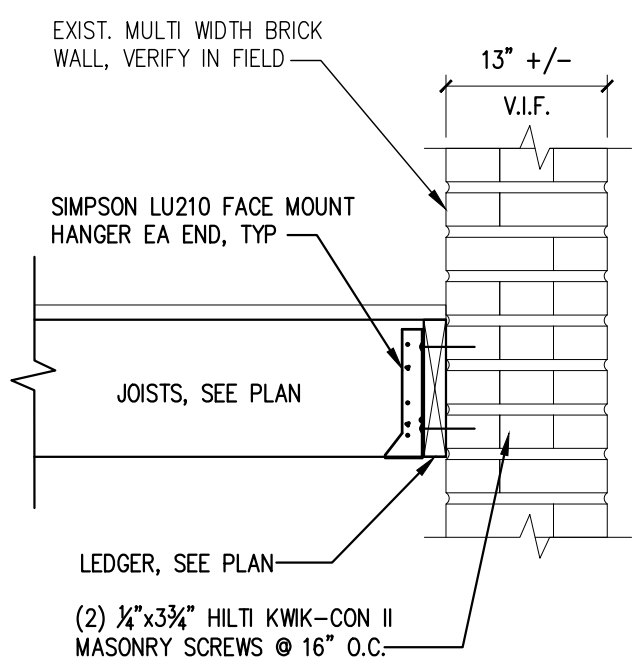
1 TYP. FOOTING DETAIL
 3/4" = 1'-0"



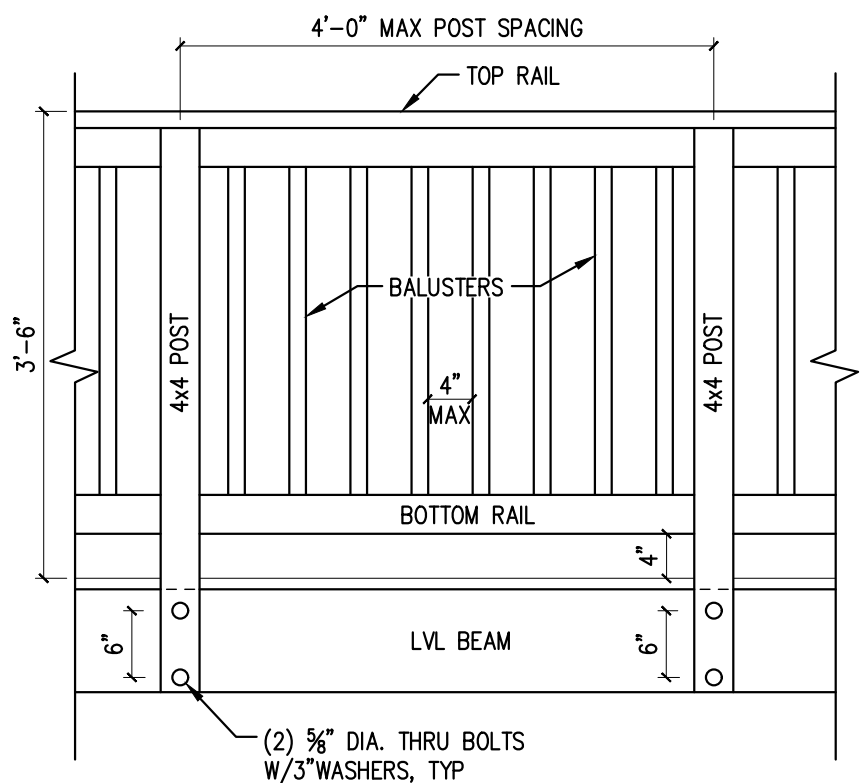
2 SECTION
 1" = 1'-0"



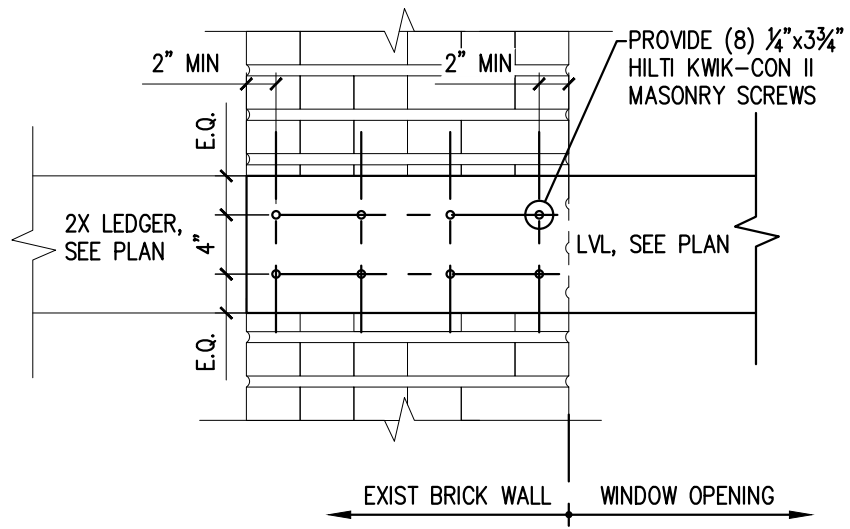
3 SECTION @ WOOD INFILL
 1" = 1'-0"



4 SECTION @ BRICK WALL
 1" = 1'-0"



5 TYPICAL RAILING DETAIL
 3/4" = 1'-0"



6 SECTION
 1" = 1'-0"

