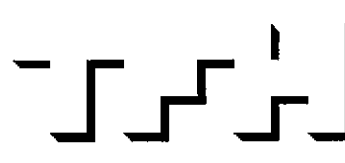


© 2006 TFH ARCHITECTS

ANDERSON STREET INDUSTRIAL CONDOMINIUM
FOR
WILLIAM P. SIMPSON



TFH ARCHITECTS
100 COMMERCIAL STREET
PORTLAND MAINE 04101
TELEPHONE 207 775 6141
ARCHITECTURE PLANNING

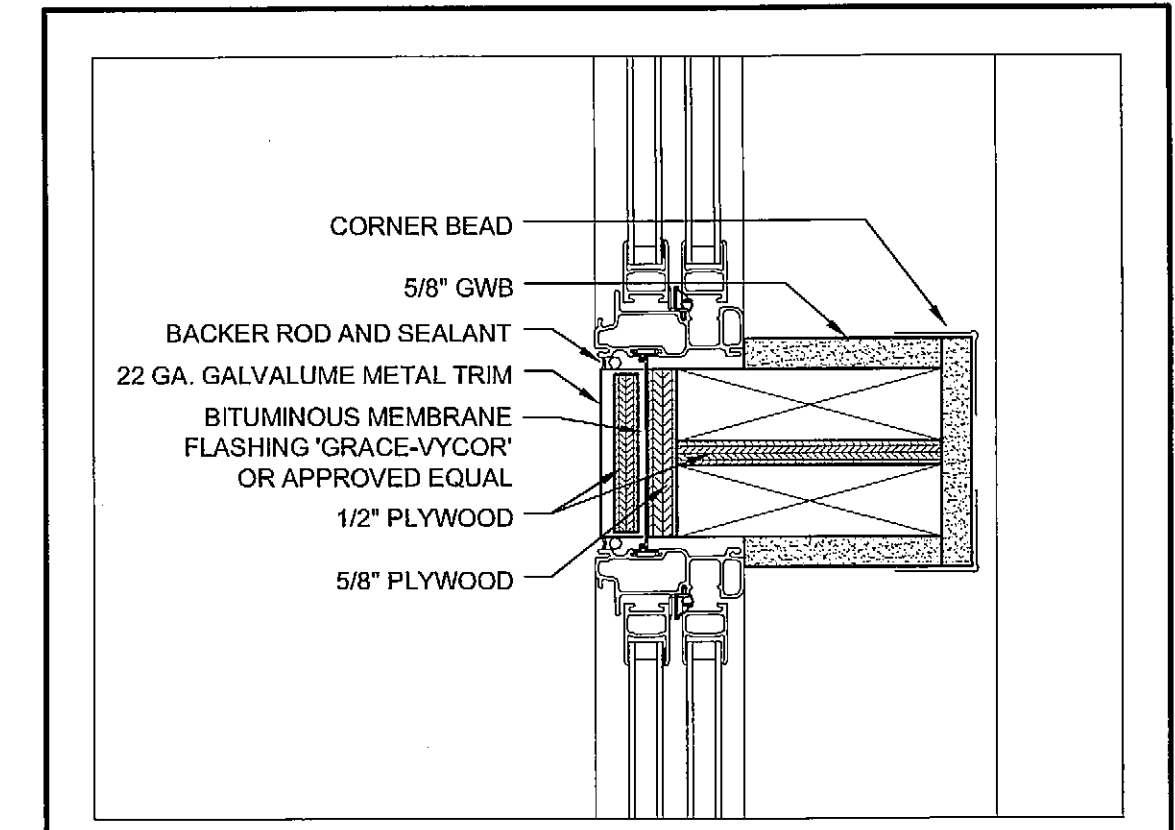
CONSULTANTS:

REVISIONS:

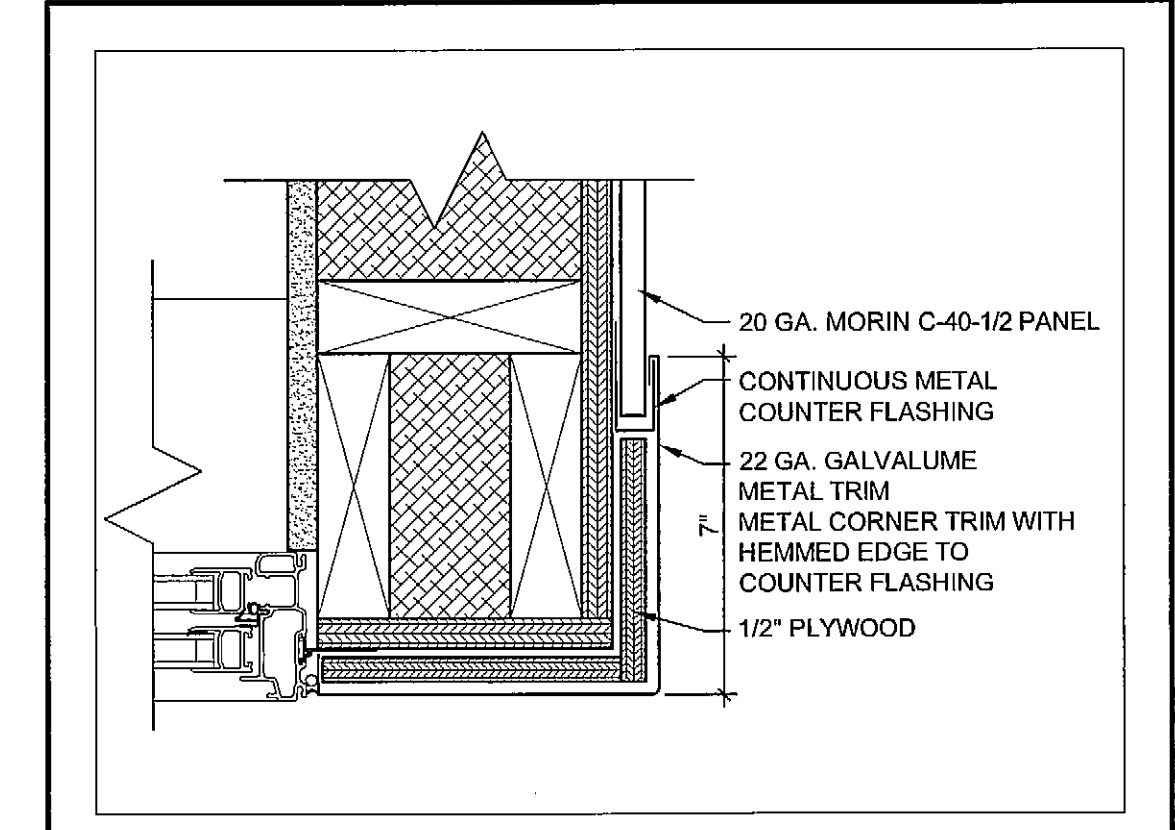
DATE: 08/30/06
PROJECT No. 0504
DRAWN BY: RJS
CHECKED BY: TST
SCALE: AS NOTED

SHEET TITLE:
DETAILS

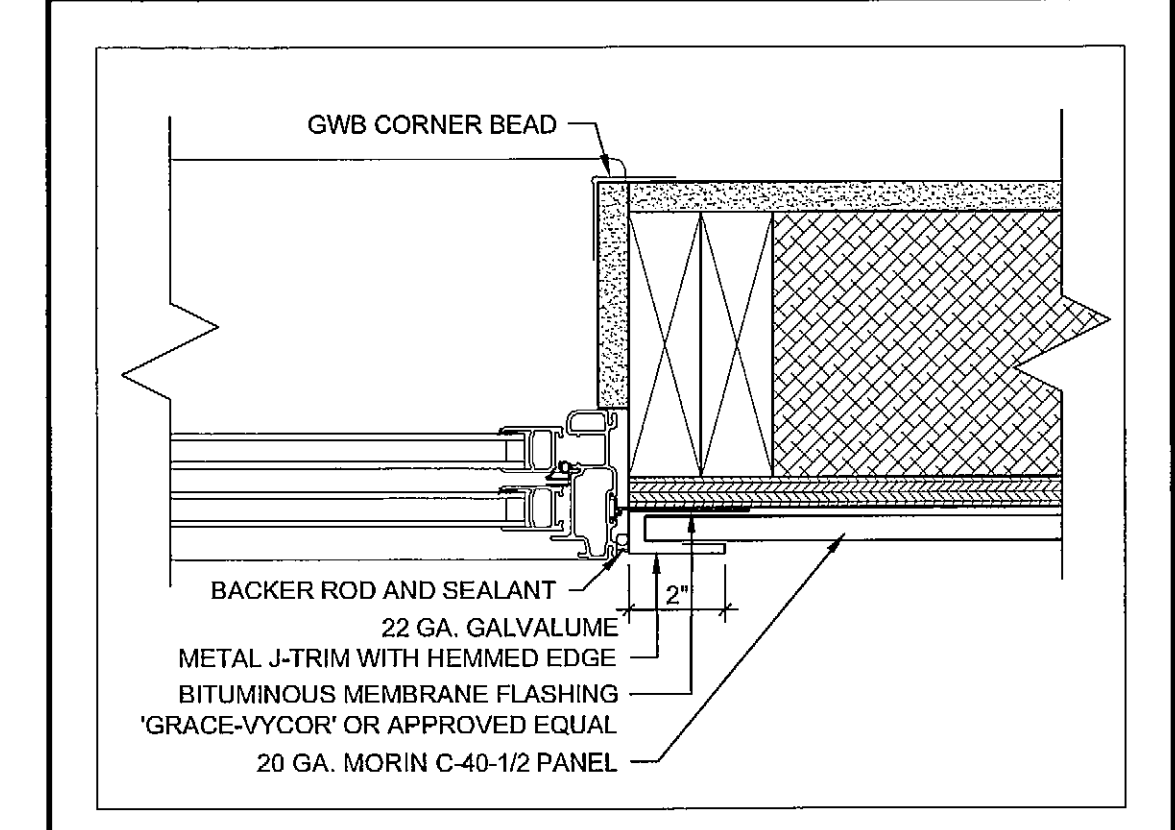
A5.0



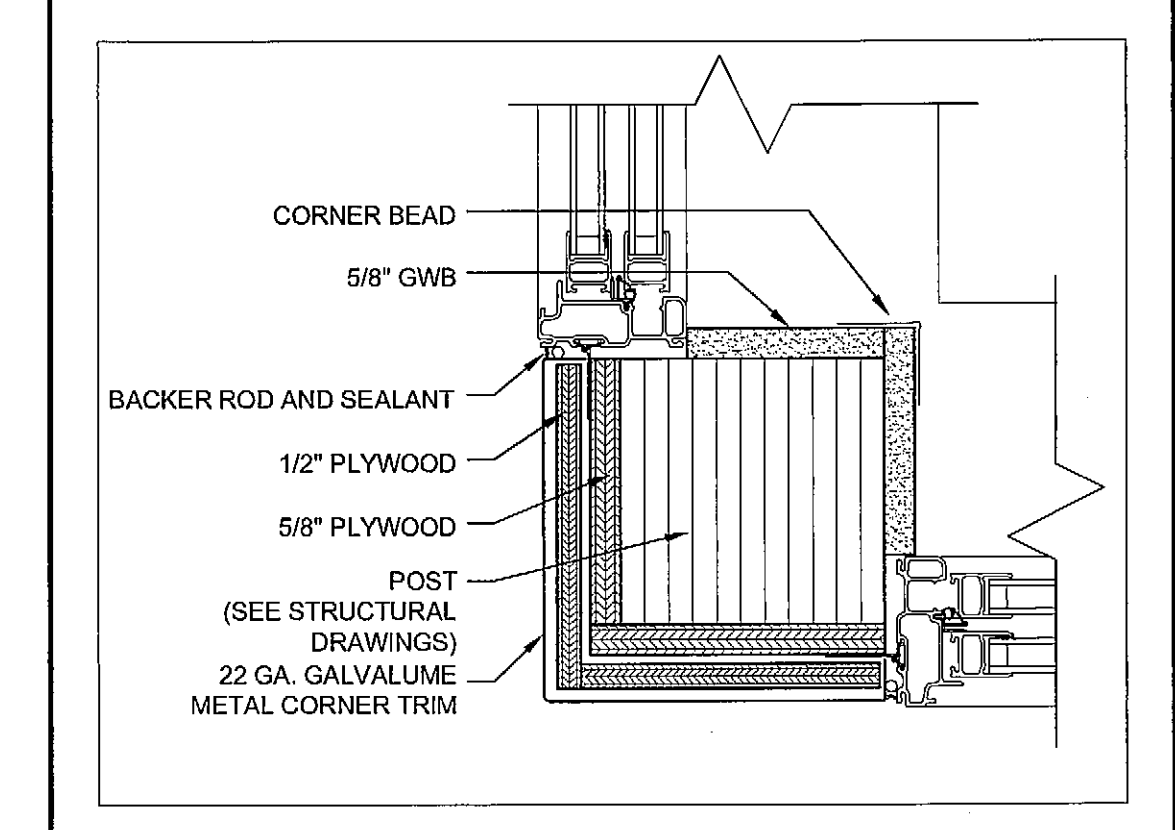
4 JAMB DETAIL AT WINDOW MULLION
A5.0 3\"/>



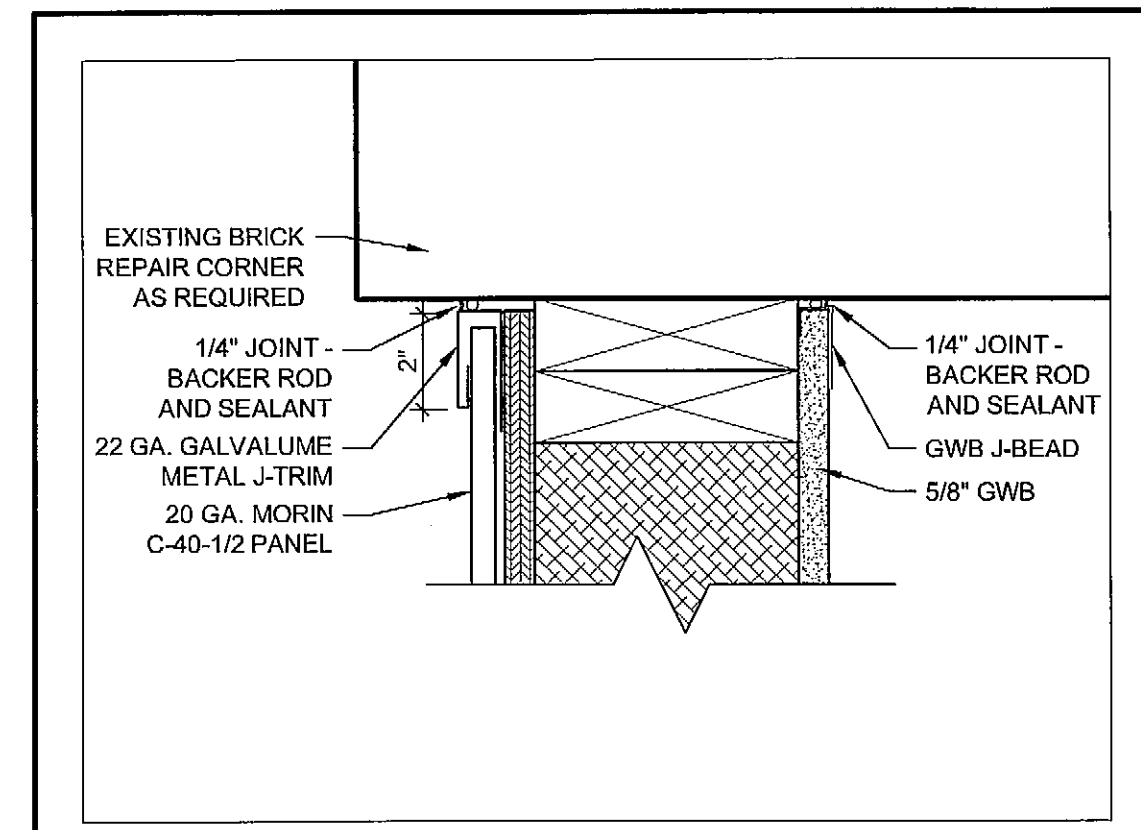
3 JAMB DETAIL AT WINDOW
A5.0 3\"/>



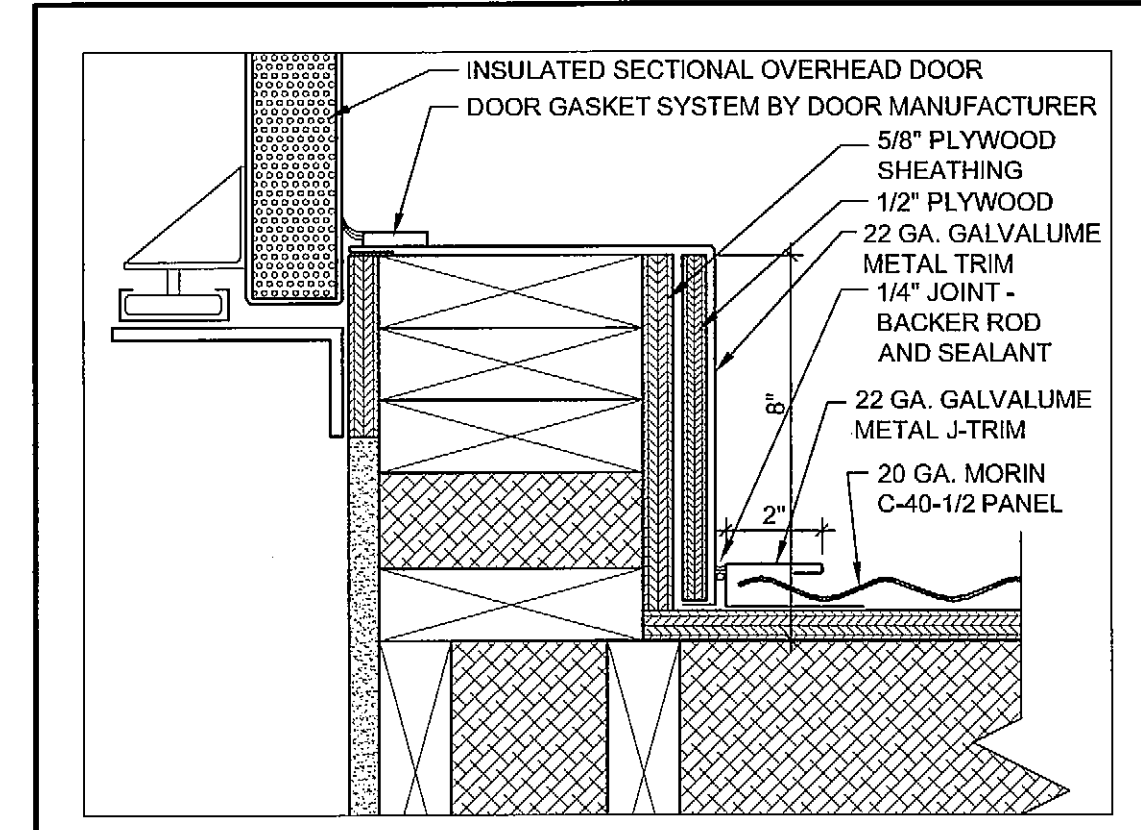
2 JAMB DETAIL AT HORIZONTAL SIDING
A5.0 3\"/>



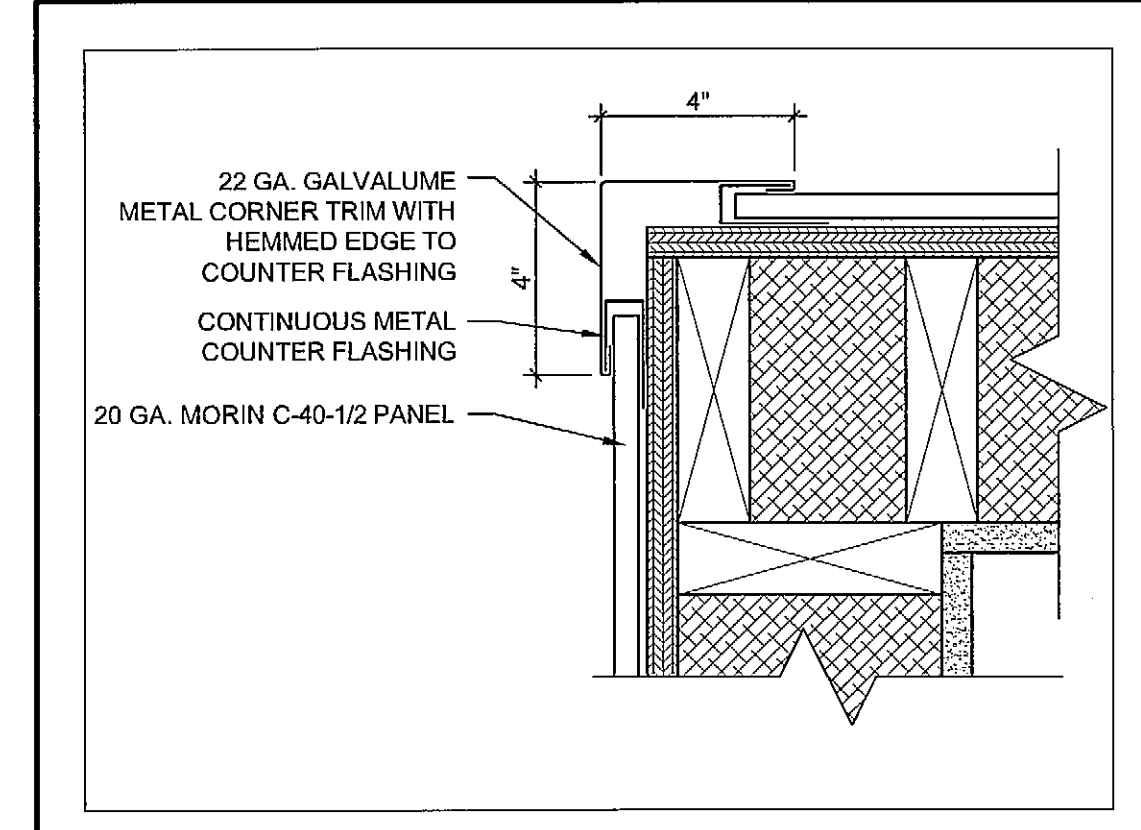
1 JAMB DETAIL AT CORNER WINDOWS
A5.0 3\"/>



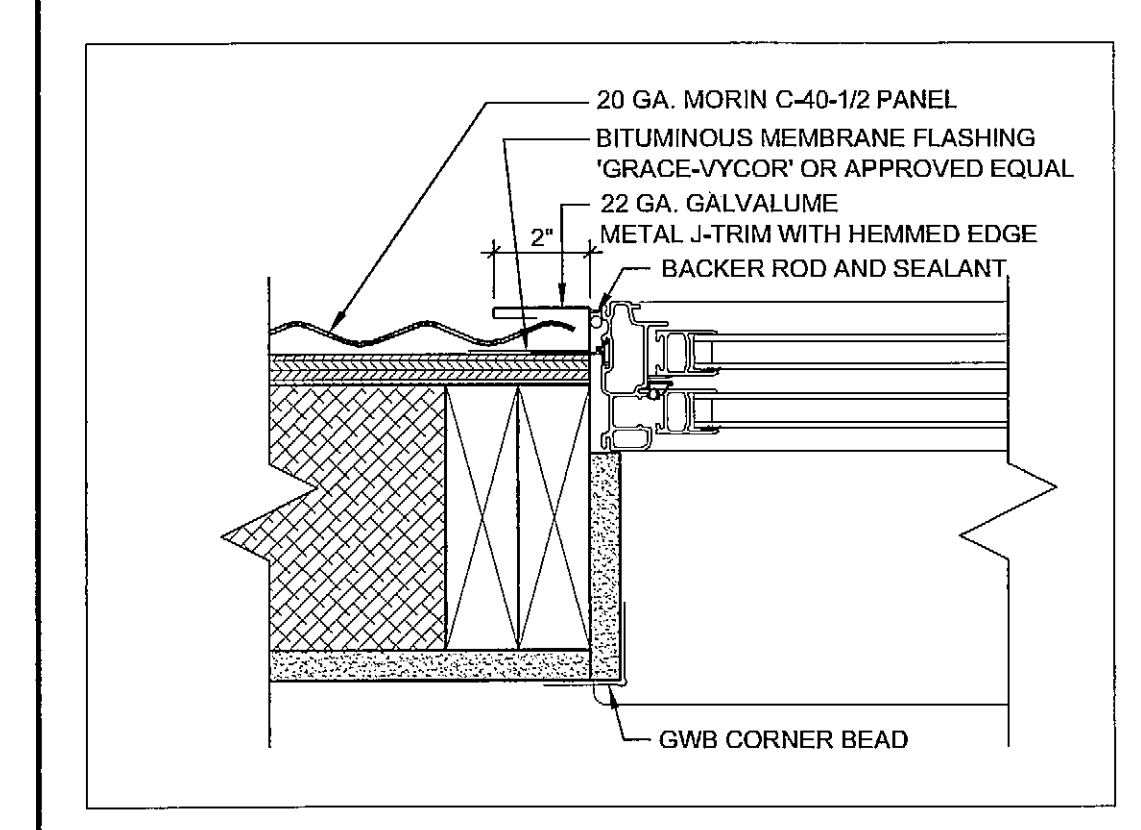
8 PLAN DETAIL AT EXISTING BRICK CORNER
A5.0 3\"/>



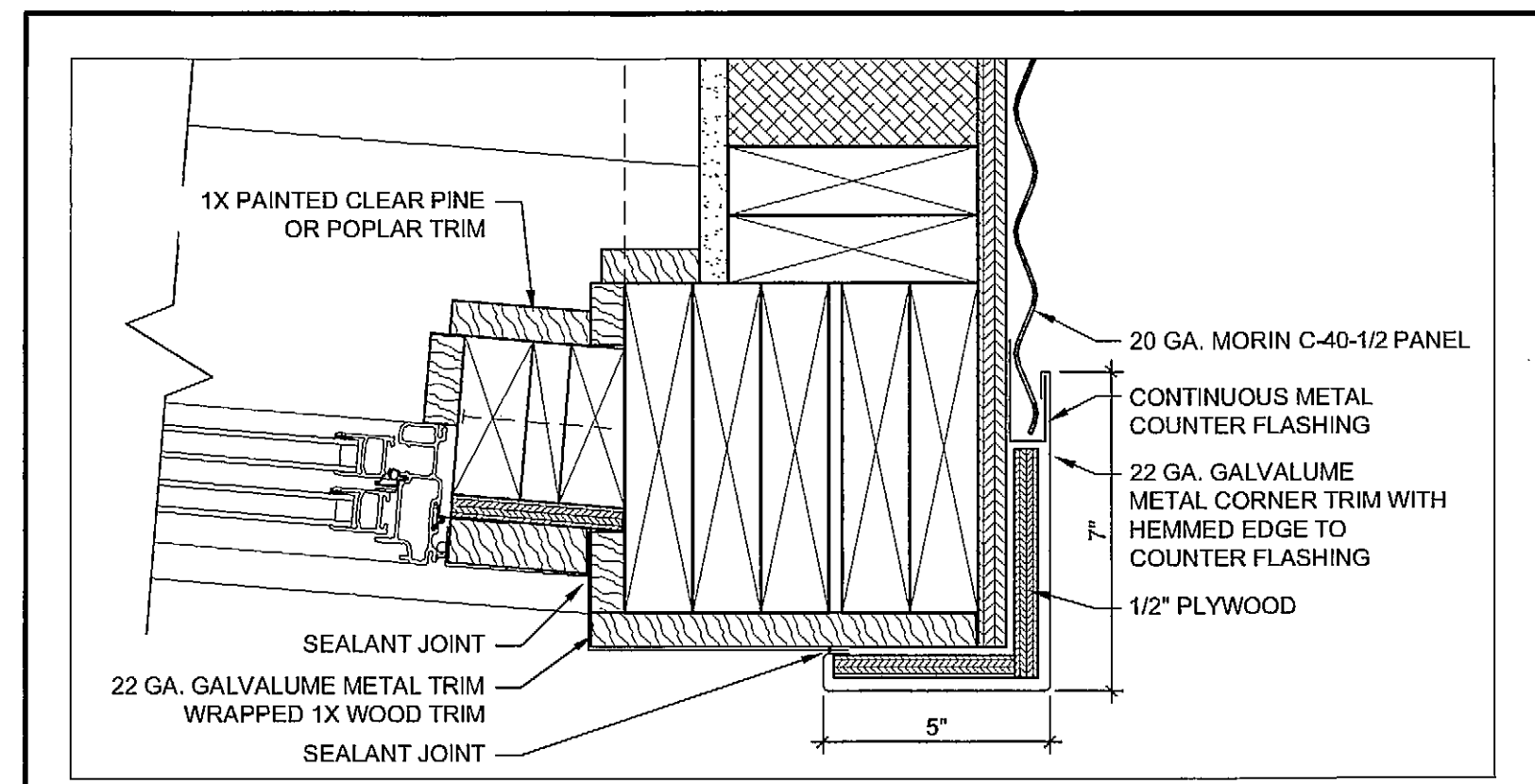
7 PLAN DETAIL AT OVERHEAD DOOR
A5.0 3\"/>



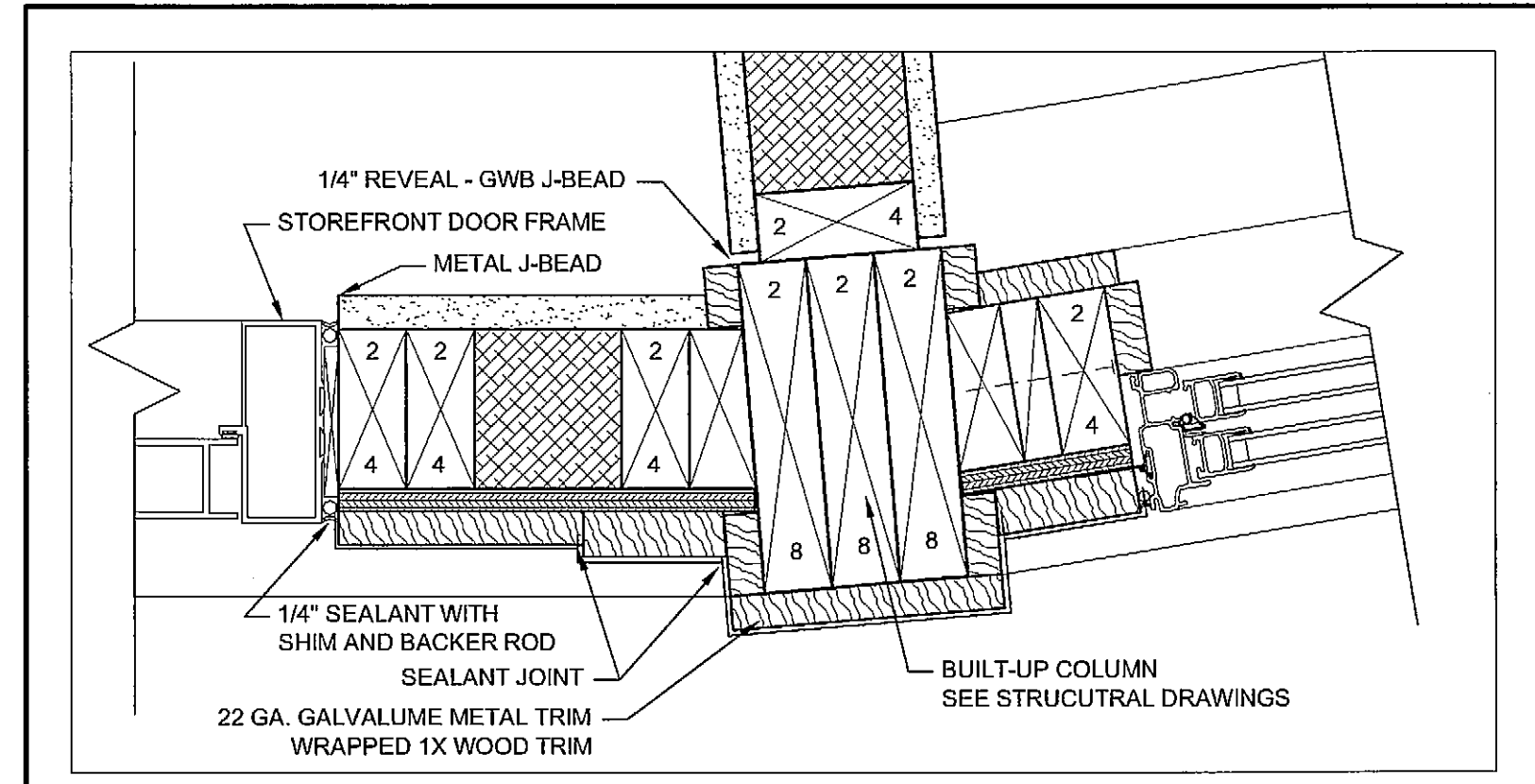
6 PLAN DETAIL AT HORIZONTAL SIDING CORNER
A5.0 3\"/>



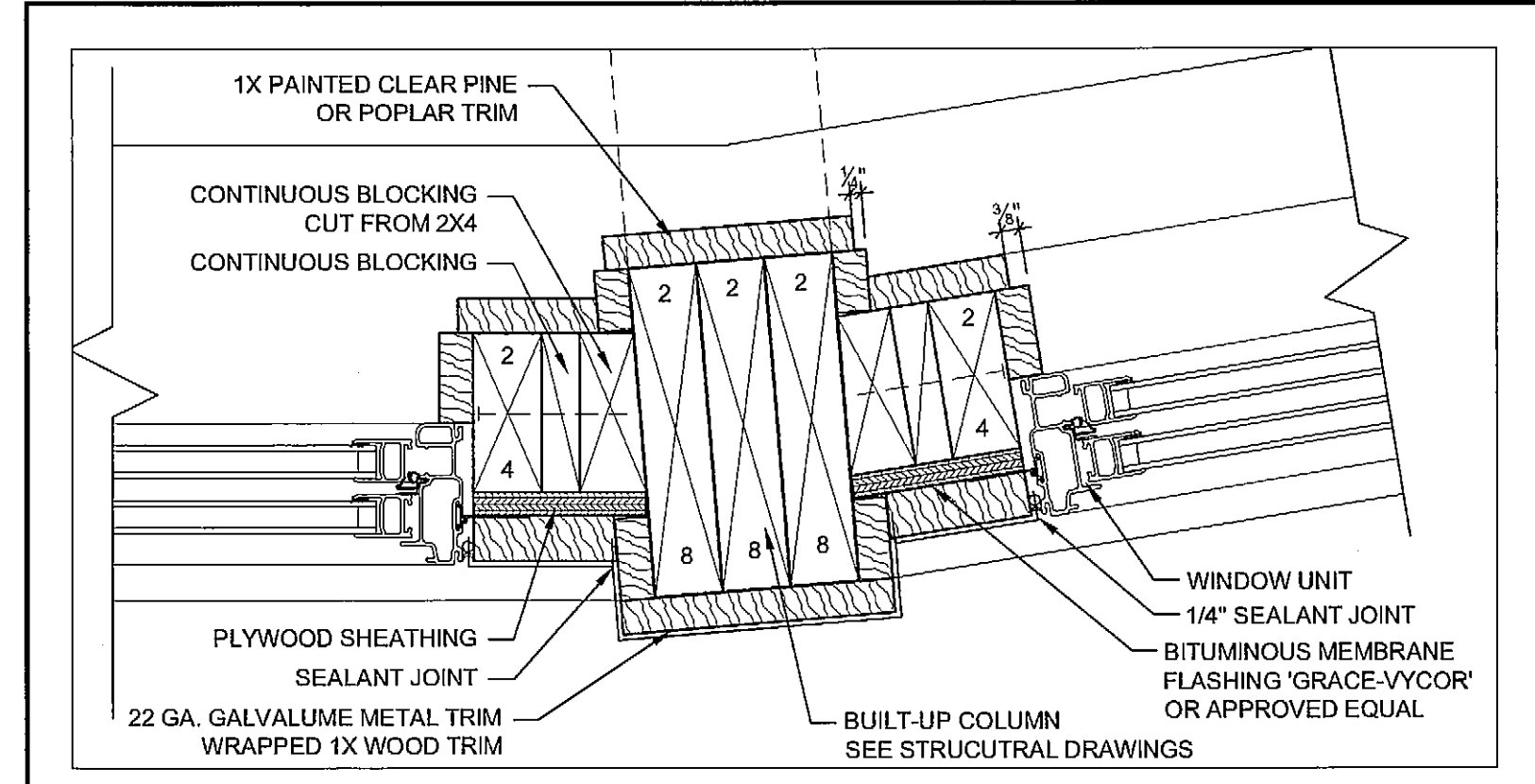
5 JAMB DETAIL AT VERTICAL SIDING
A5.0 3\"/>



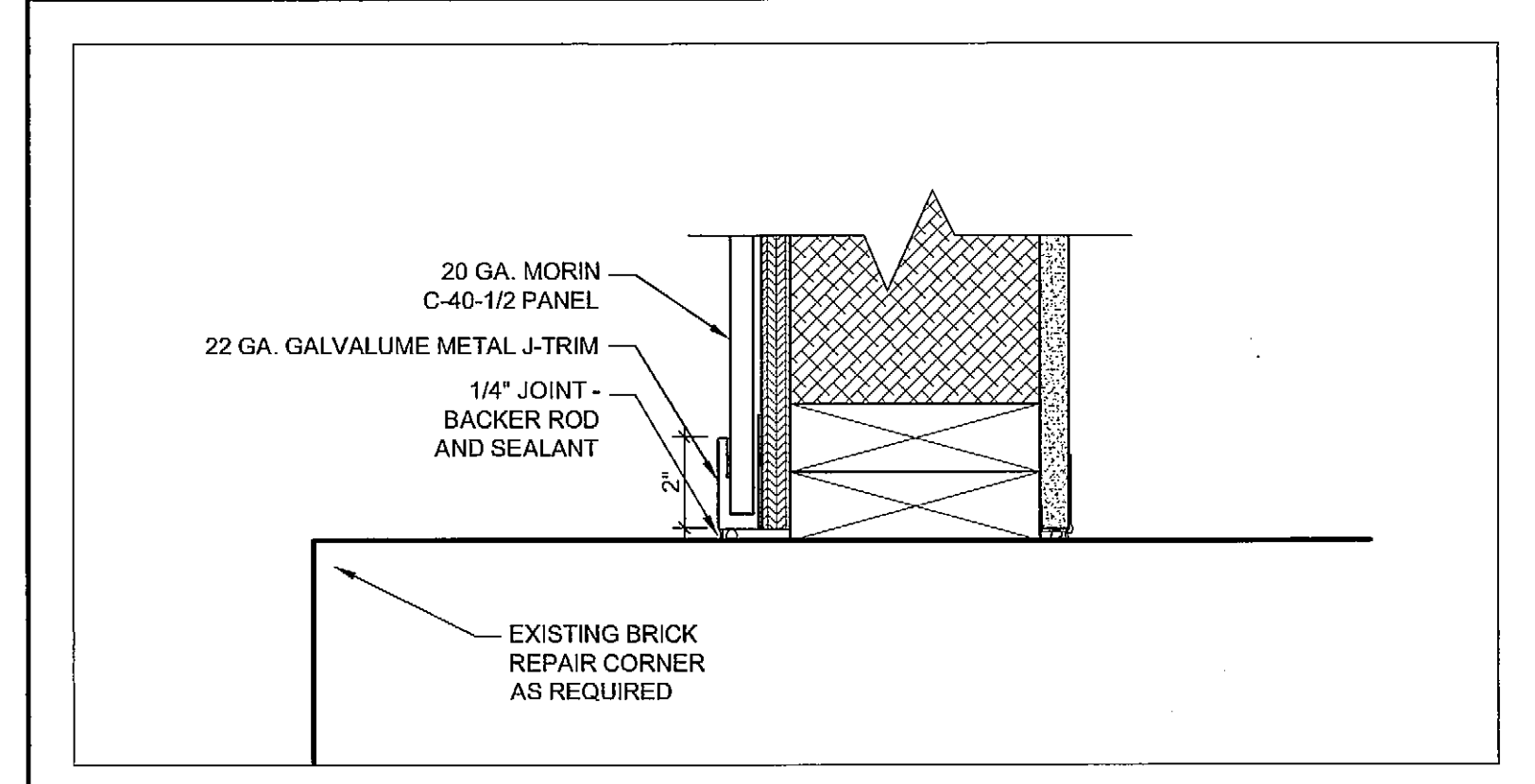
12 PLAN DETAIL AT SOUTH WALL CORNER
A5.0 3\"/>



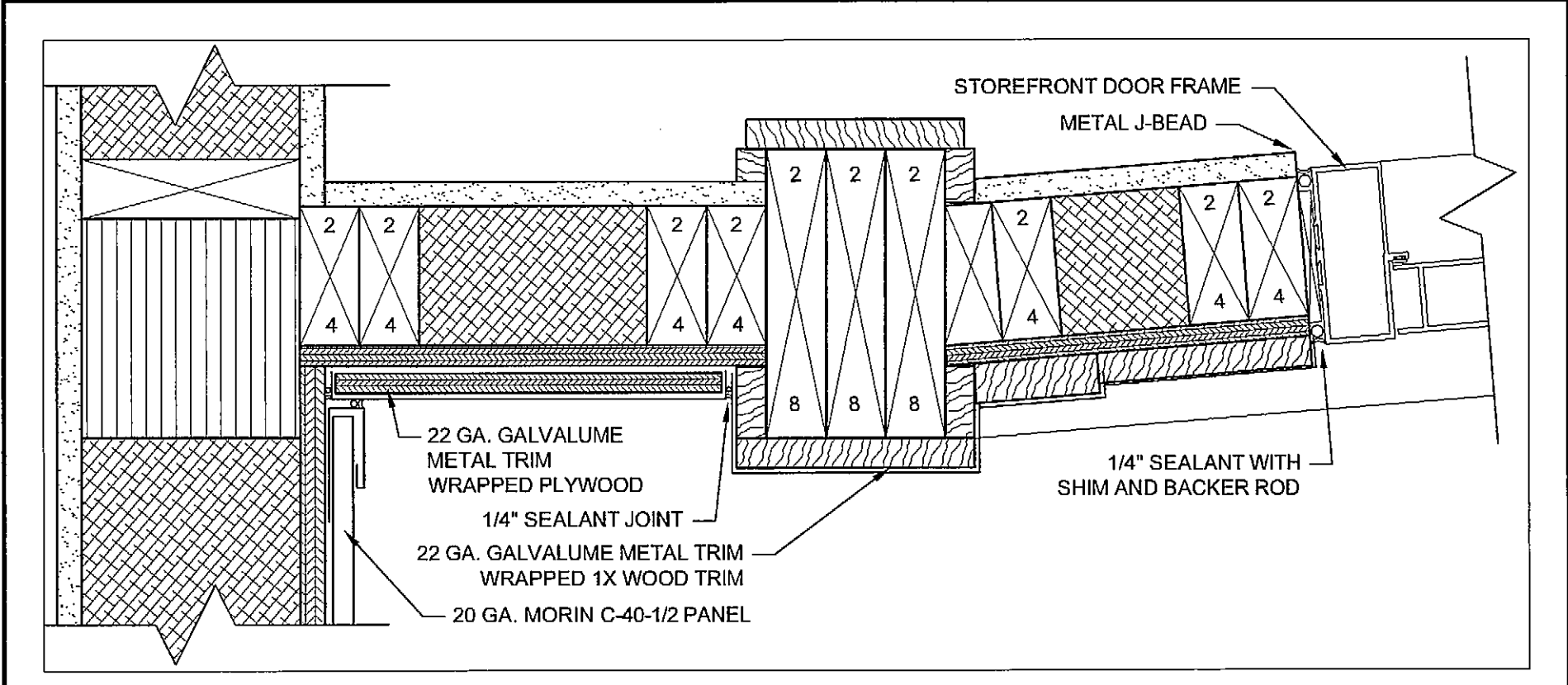
11 PLAN DETAIL AT SOUTH WALL POST AT ENTRY
A5.0 3\"/>



10 PLAN DETAIL AT SOUTH WALL POST
A5.0 3\"/>



9 JAMB DETAIL AT EXISTING BRICK CORNER
A5.0 3\"/>



13 PLAN DETAIL AT SOUTH WALL POST AT ENTRY
A5.0 3\"/>