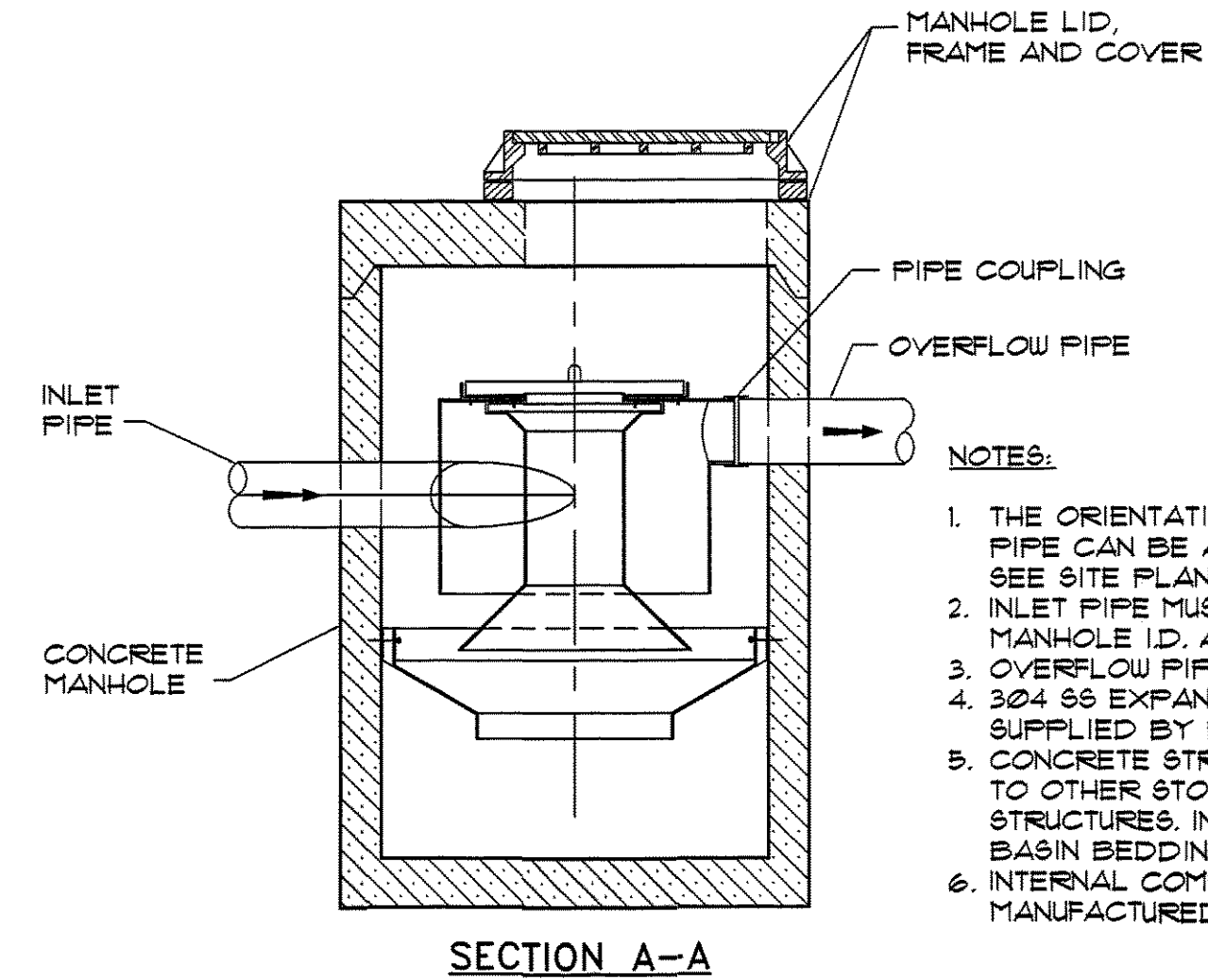
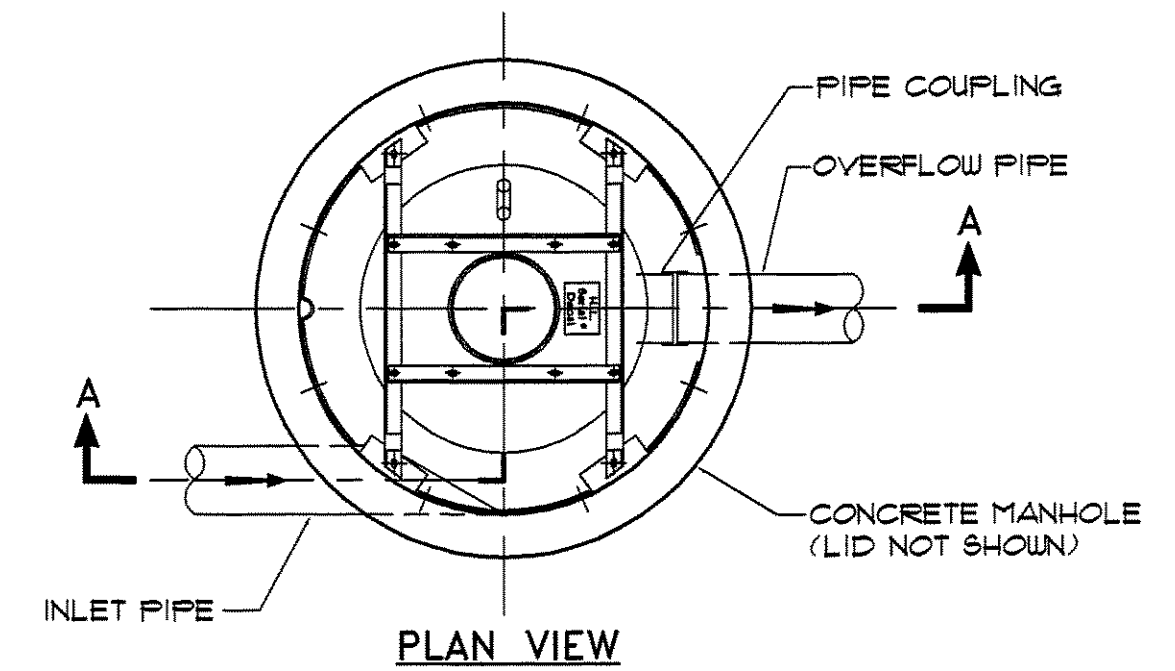
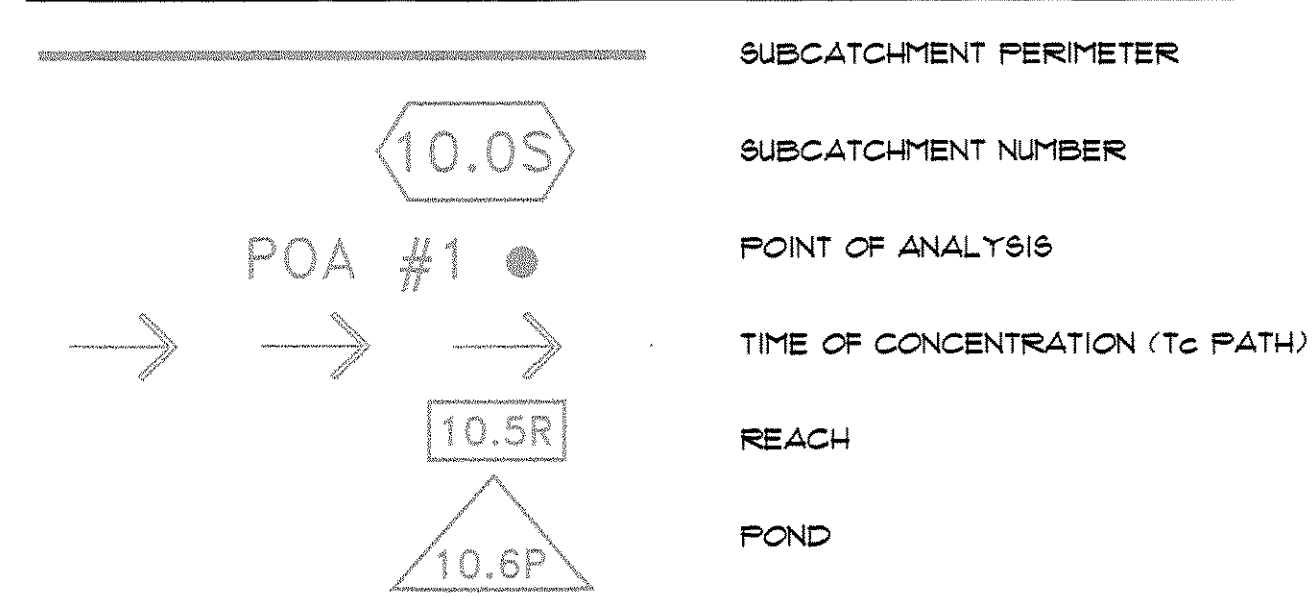
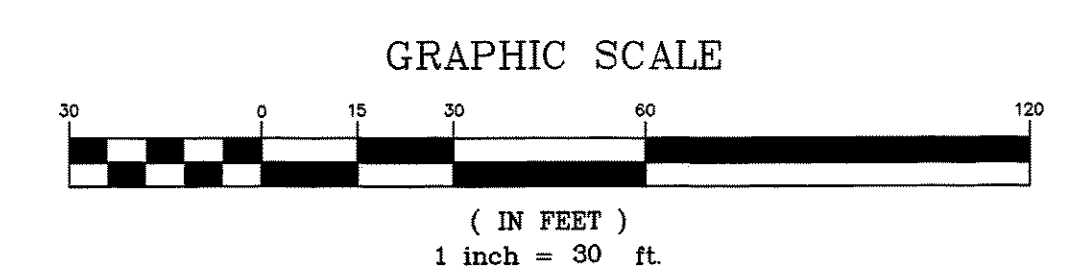


**DRAINAGE LEGEND**



- NOTES:**
1. THE ORIENTATION OF INLET PIPE AND OVERFLOW PIPE CAN BE ADJUSTED TO SITE REQUIREMENTS. SEE SITE PLAN FOR ORIENTATION.
  2. INLET PIPE MUST BE TANGENT TO PRECAST MANHOLE I.D. AS SHOWN.
  3. OVERFLOW PIPE STUB O.D. MATCHES SDR35 O.D.
  4. 304 SS EXPANSION ANCHOR BOLTS TO BE SUPPLIED BY PRECASTER.
  5. CONCRETE STRUCTURE INSTALLATION IS SIMILAR TO OTHER STORM DRAIN SUBSURFACE STRUCTURES. INSTALL WITH MANHOLE OR CATCH BASIN BEDDING REQUIREMENTS.
  6. INTERNAL COMPONENTS TO BE DESIGNED AND MANUFACTURED BY DOWNSTREAM DEFENDER.

**DOWNSTREAM DEFENDER DETAIL - 8' DIAMETER**  
NOT TO SCALE



	1	9/14/06	REVISIONS PER PEER REVIEW
	REV.	DATE	DESCRIPTION
	<b>TFH ARCHITECTS PORTLAND, MAINE</b>  <b>ANDERSON STREET CONDOMINIUMS PORTLAND, MAINE</b>  <b>PINKHAM &amp; GREER</b> CONSULTING ENGINEERS FALMOUTH, MAINE  <b>DRAINAGE ANALYSIS DEVELOPED CONDITIONS</b>		
SCALE:	AS SHOWN	DRN BY:	DPD
DATE:	AUGUST 29, 2006	DESG BY:	DPD
PROJECT:	05184	CHK BY:	

**D1.1**

9/26/06