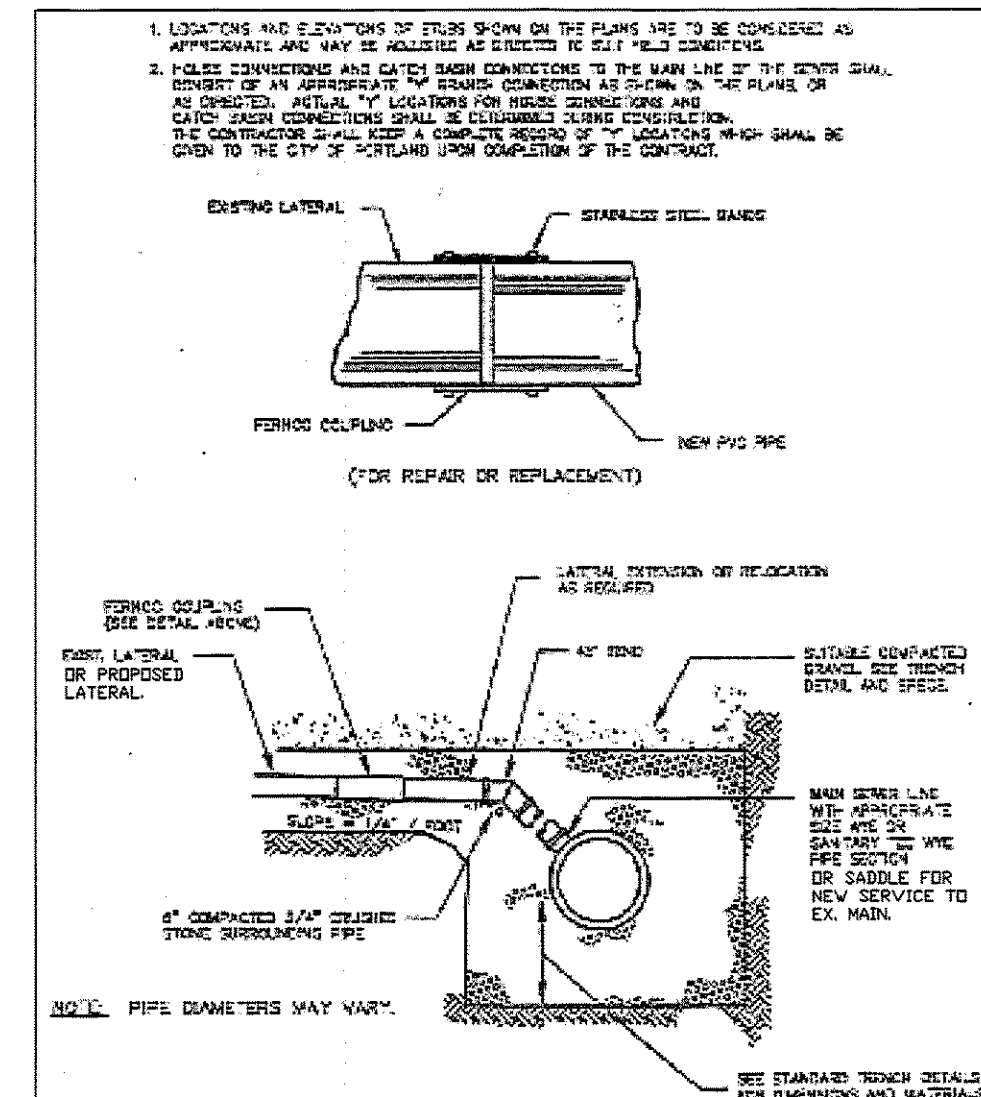
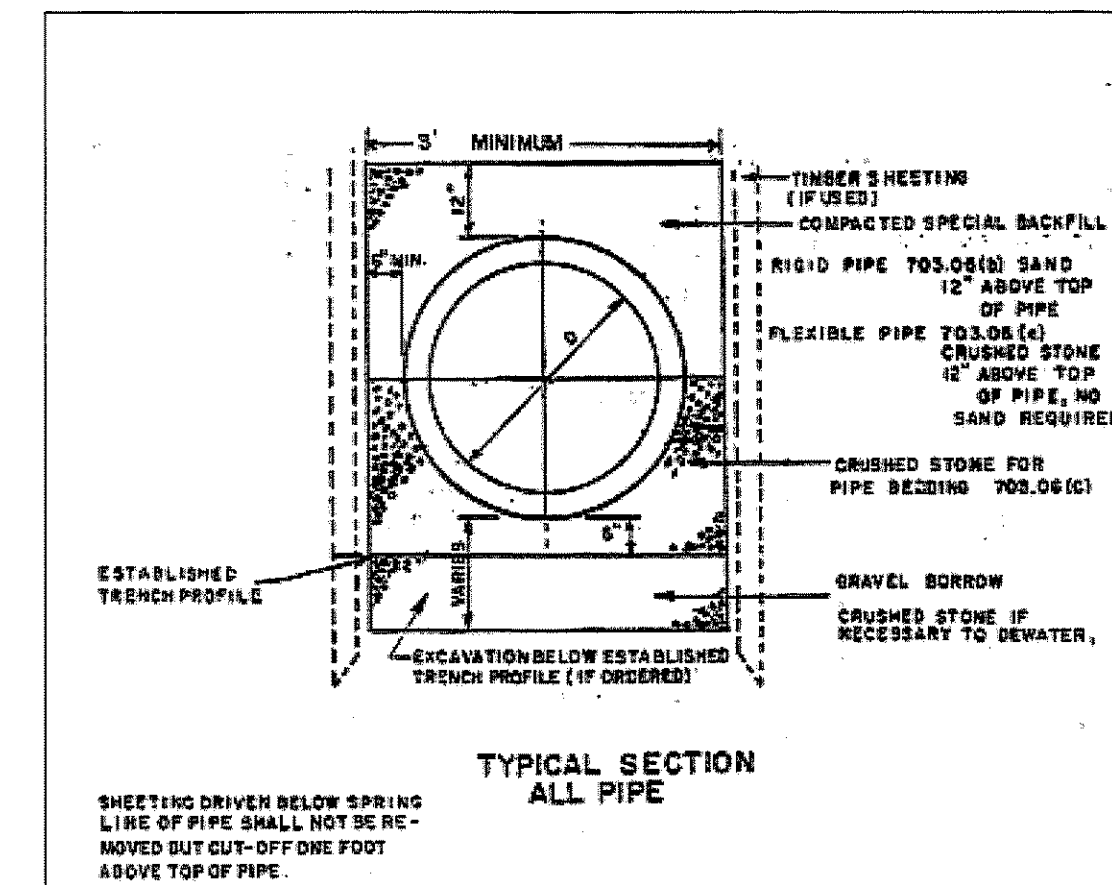


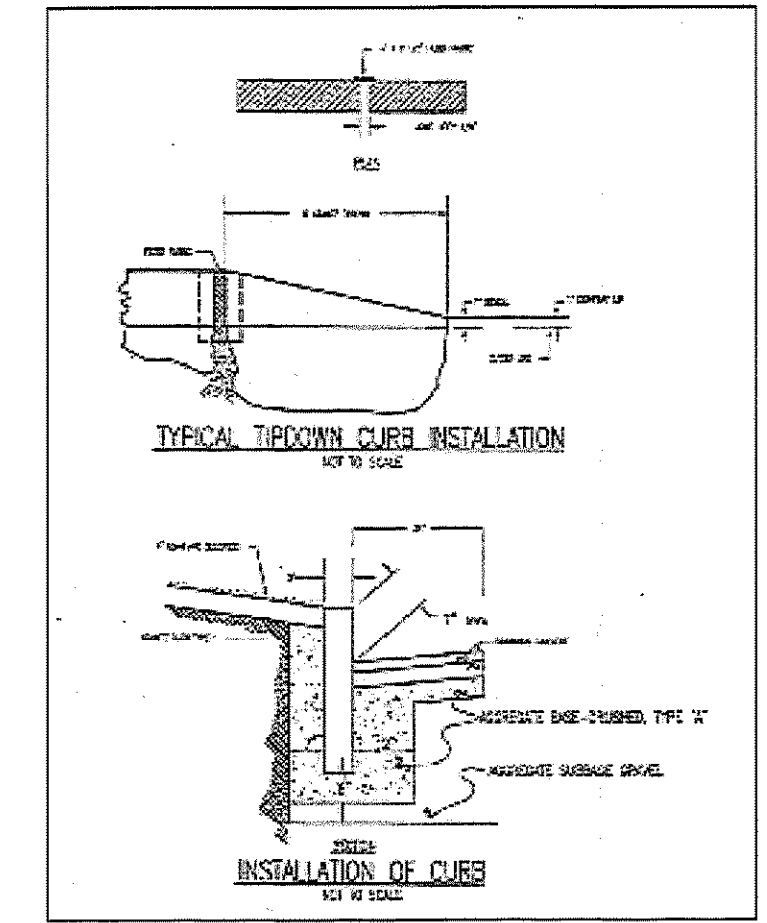
15 MANHOLE DETAILS
NOT TO SCALE



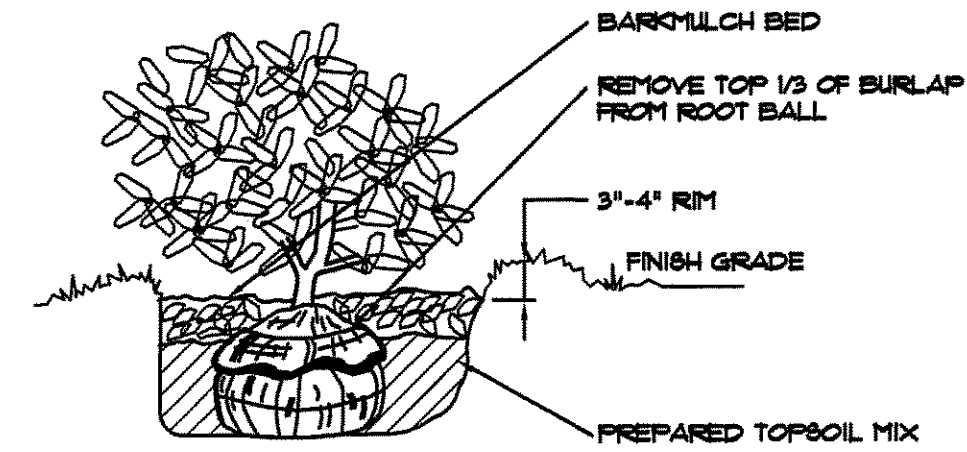
14 TYP. EXISTING LATERAL CONNECTION
NOT TO SCALE



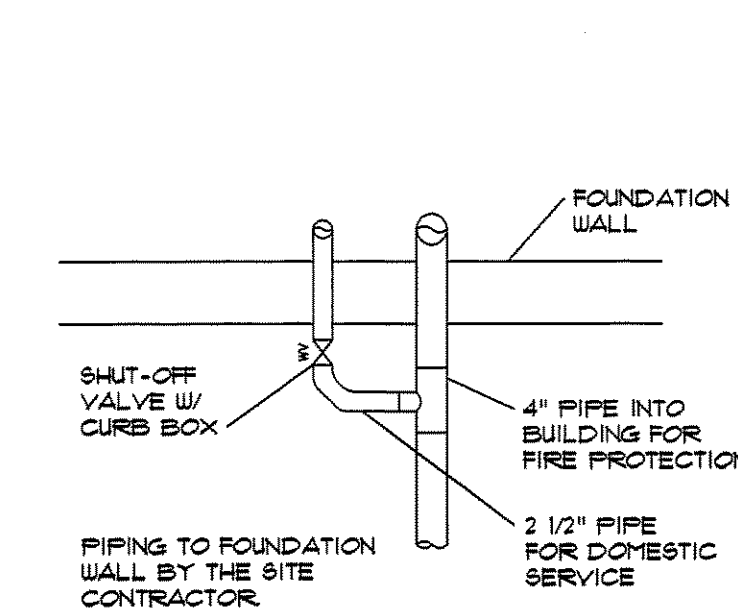
13 TRENCH SECTION
NOT TO SCALE



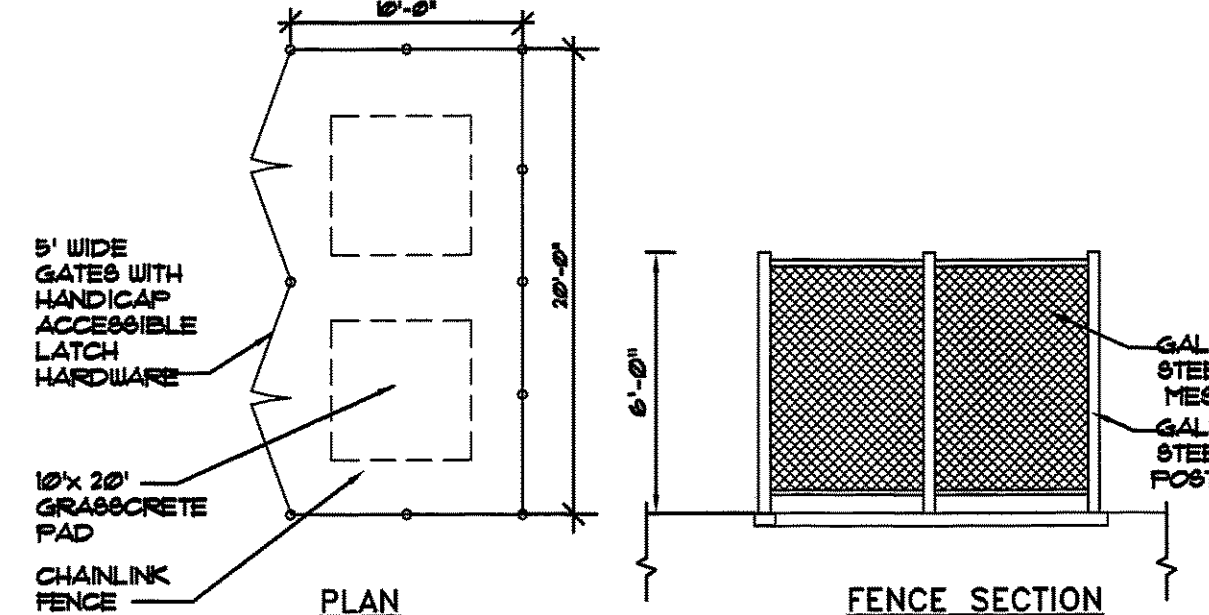
12 CURB INSTALLATION
NOT TO SCALE



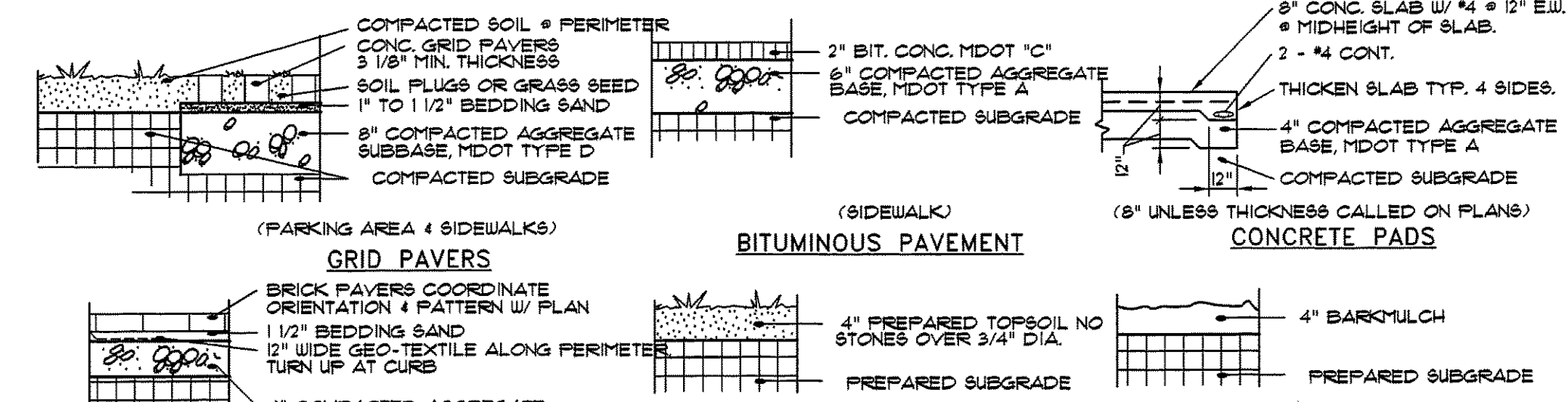
11 SHRUB PLANTING DETAIL
NOT TO SCALE



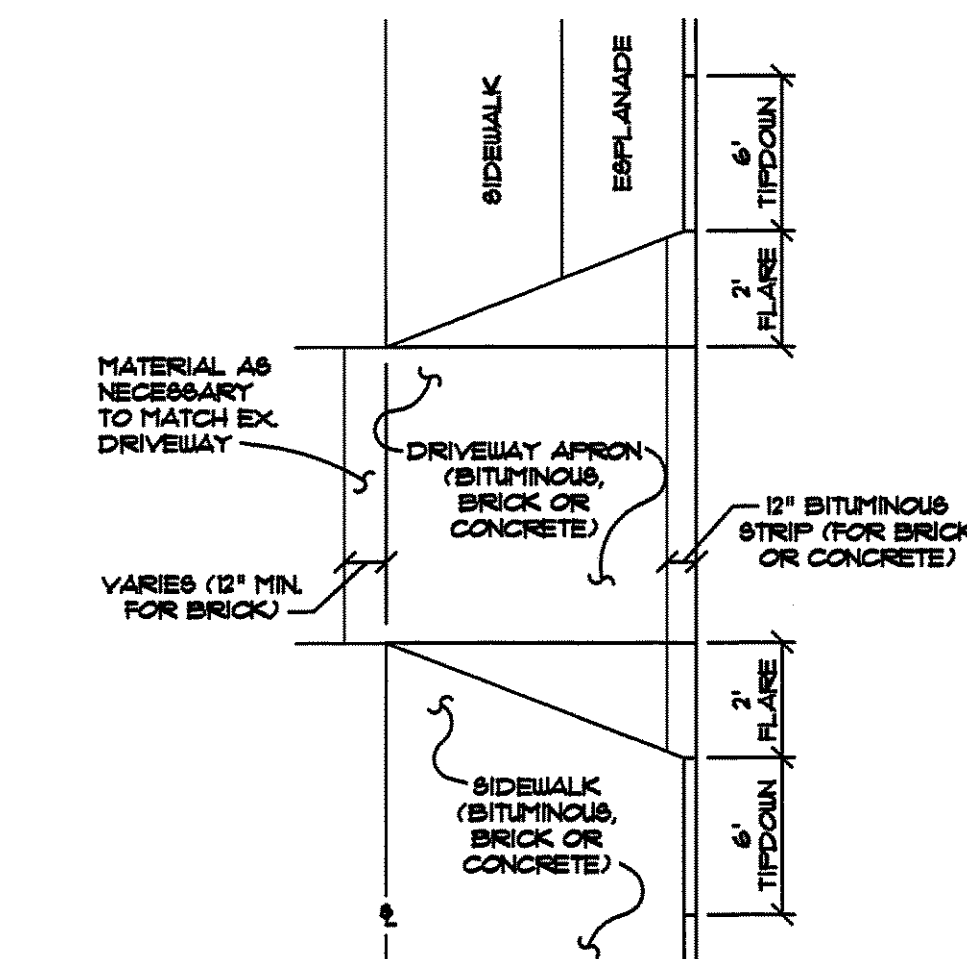
10 WATER SERVICE DETAIL
NOT TO SCALE



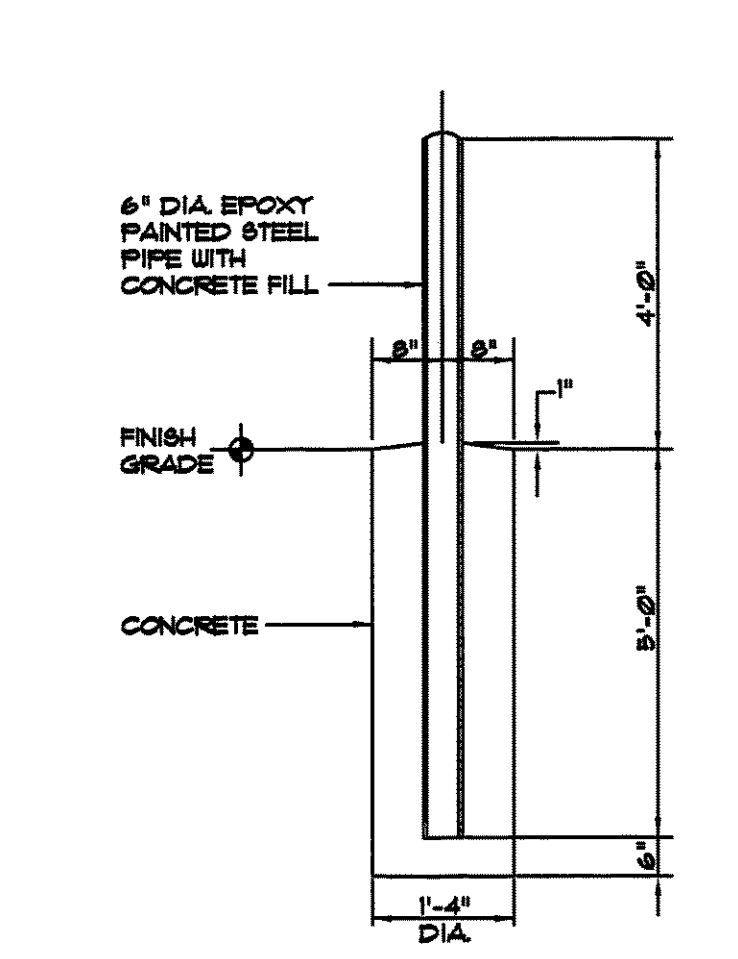
9 DUMPSTER ENCLOSURE DETAIL
NOT TO SCALE



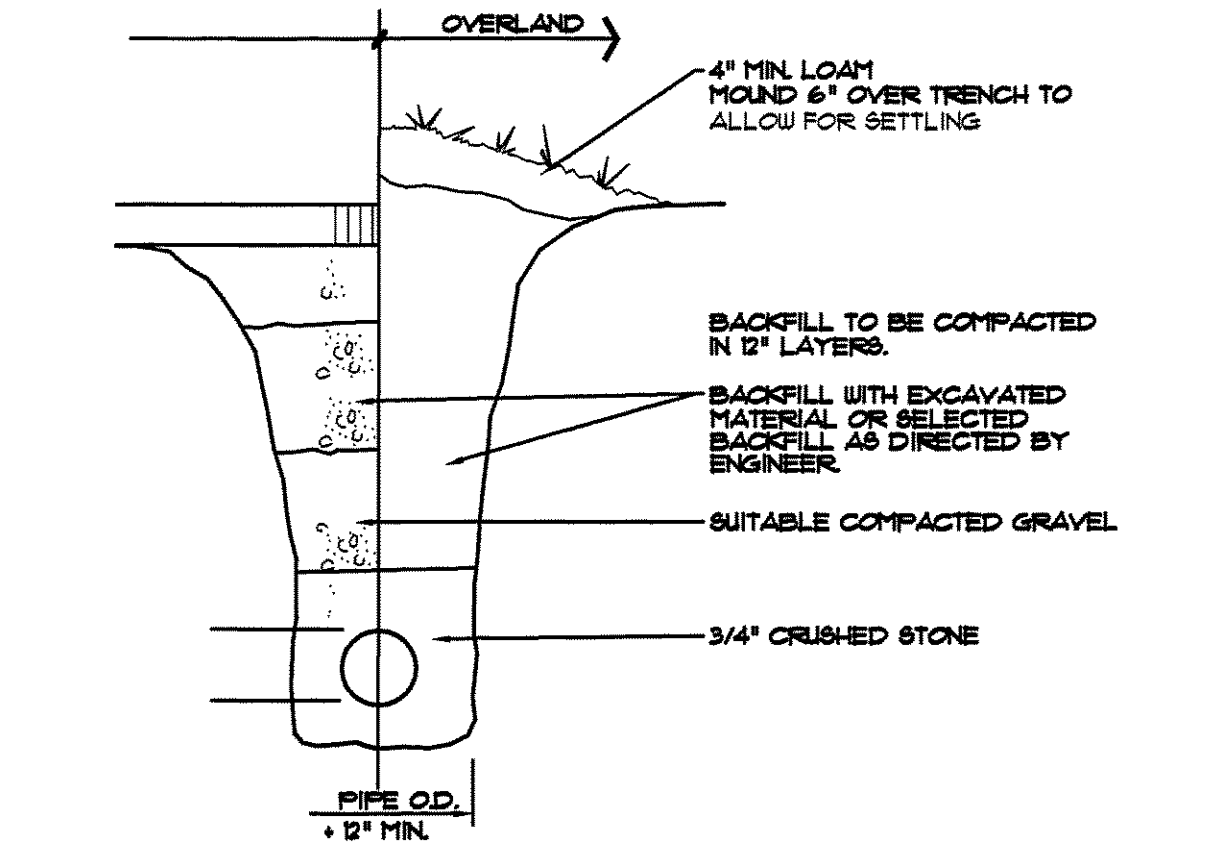
8 SURFACING DETAILS
NOT TO SCALE



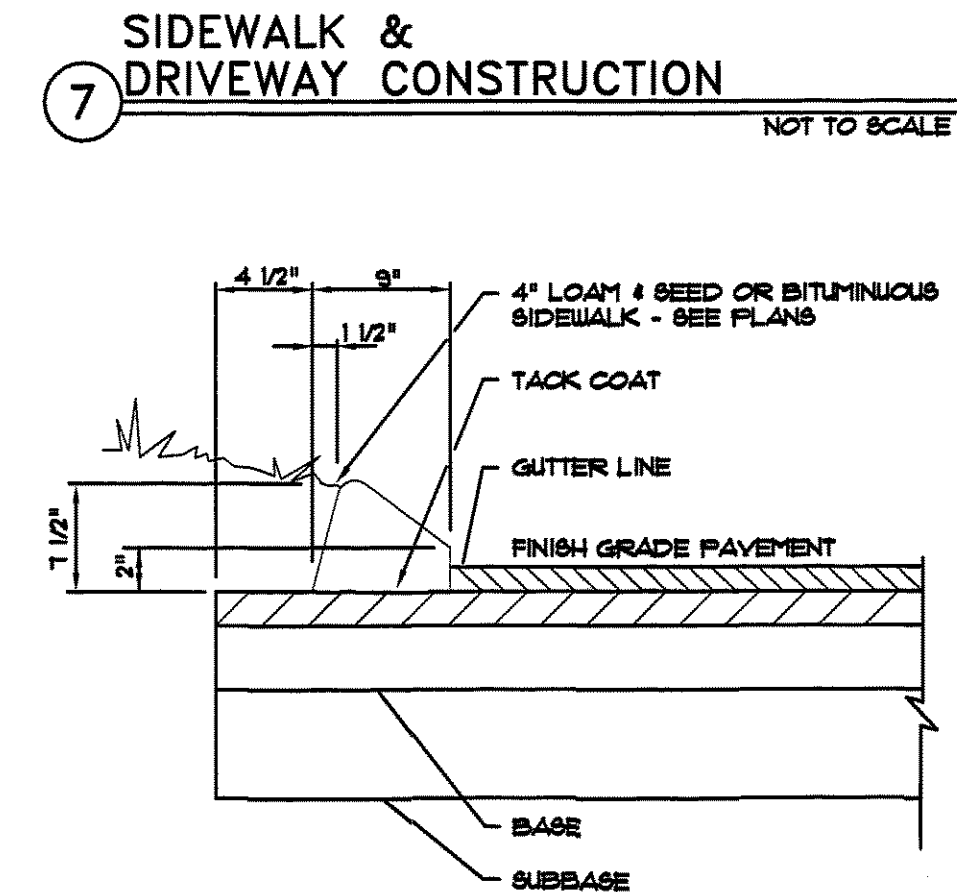
7 SIDEWALK & DRIVEWAY CONSTRUCTION
NOT TO SCALE



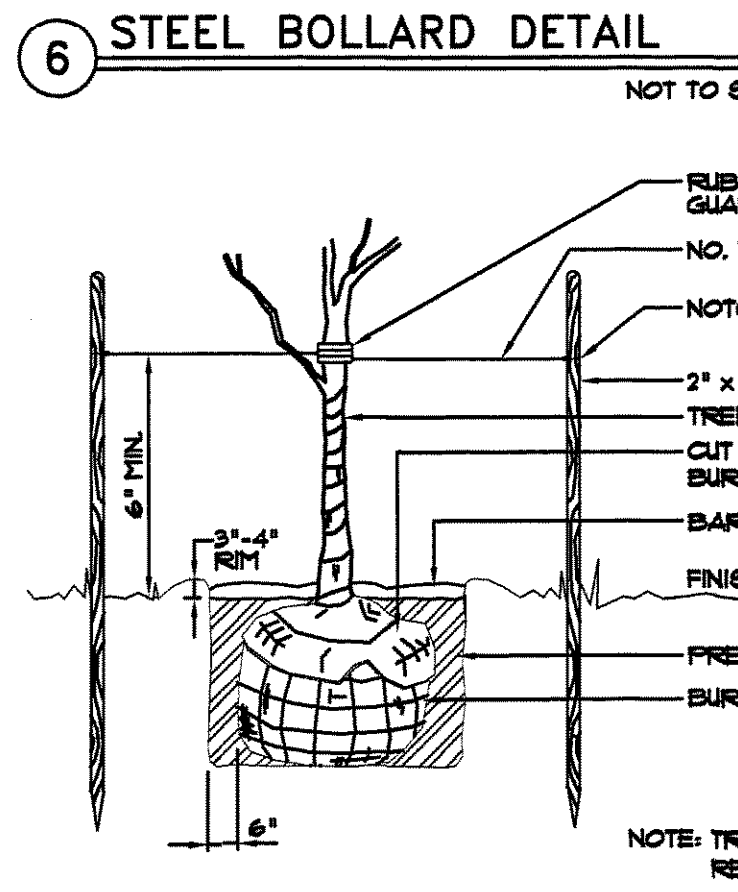
6 STEEL BOLLARD DETAIL
NOT TO SCALE



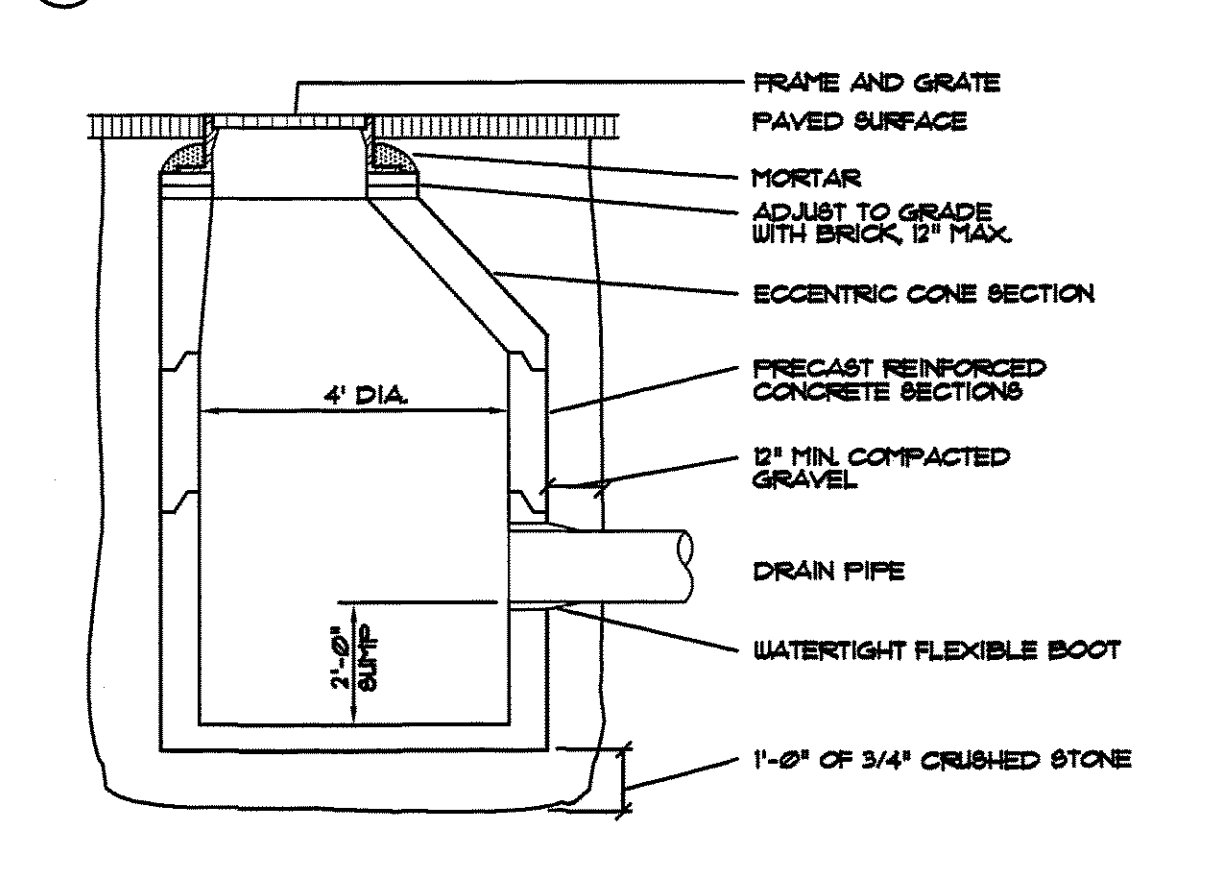
5 TYPICAL TRENCH SECTION
NOT TO SCALE



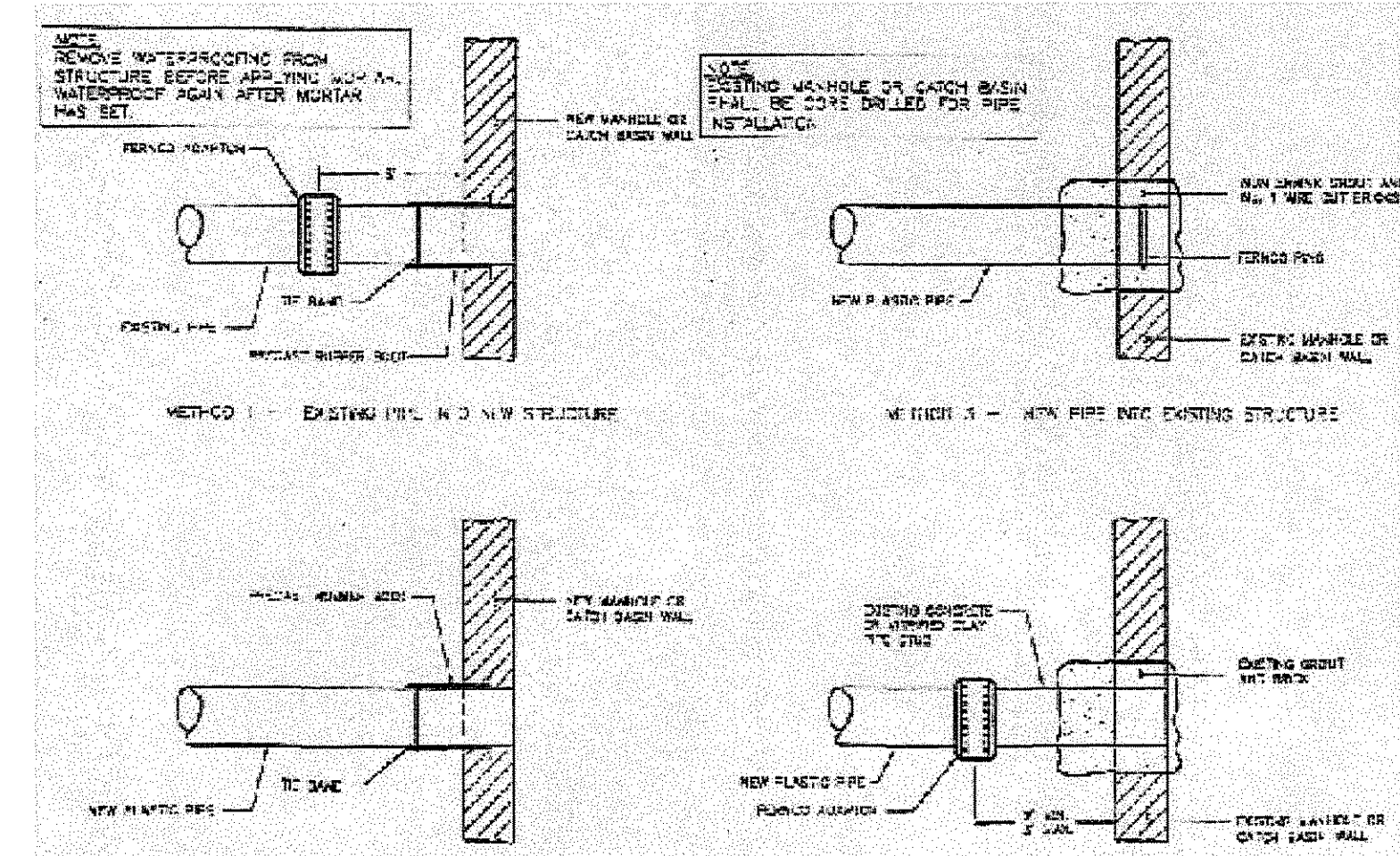
4 SLOPED BITUMINOUS CURB DETAIL
NOT TO SCALE



3 TREE PLANTING DETAIL
NOT TO SCALE



2 CATCH BASIN W/ ECCENTRIC CONE SECTION
NOT TO SCALE



1 PIPE CONNECTION DETAIL
NOT TO SCALE

© 2006 TFH ARCHITECTS

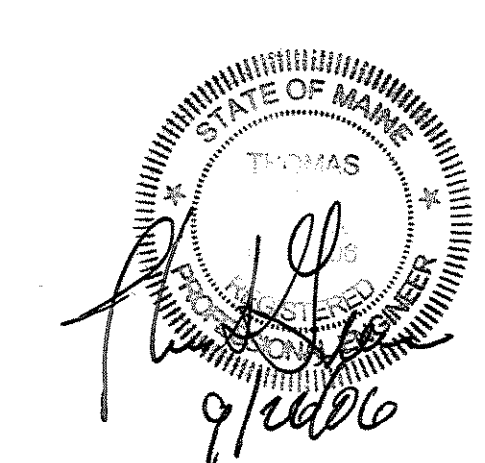
ANDERSON STREET CONDOMINIUM
FOR
WILLIAM P. SIMPSON

TFH ARCHITECTS
100 COMMERCIAL STREET
PORTLAND MAINE 04101
TELEPHONE 207 775 6141
ARCHITECTURE PLANNING

CONSULTANTS:

REVISIONS:

DATE: 09/01/06
PROJECT No. 0504
DRAWN BY: RJS
CHECKED BY: TST
SCALE: AS SHOWN
SHEET TITLE: SITE DETAILS



C1.2