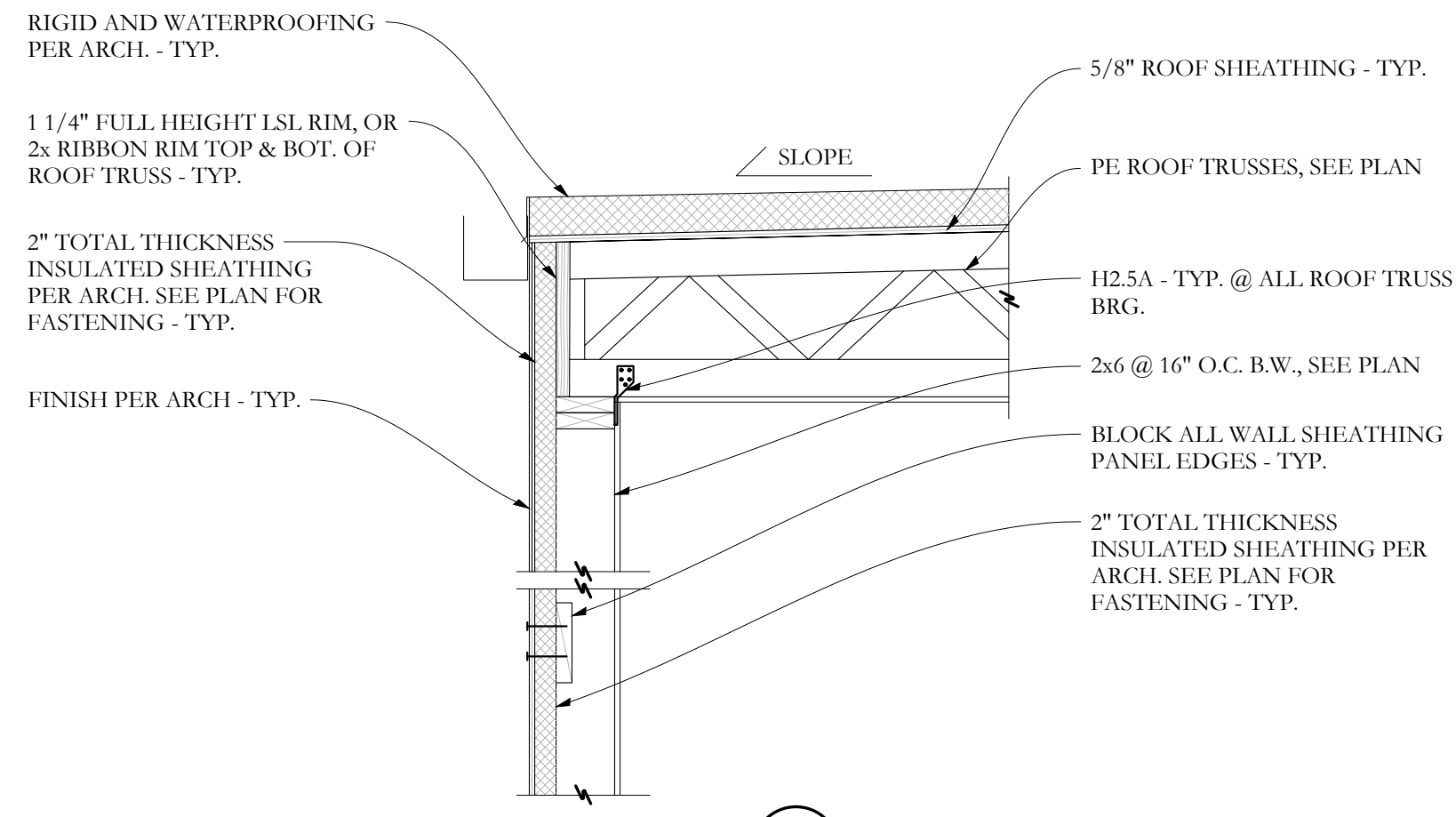
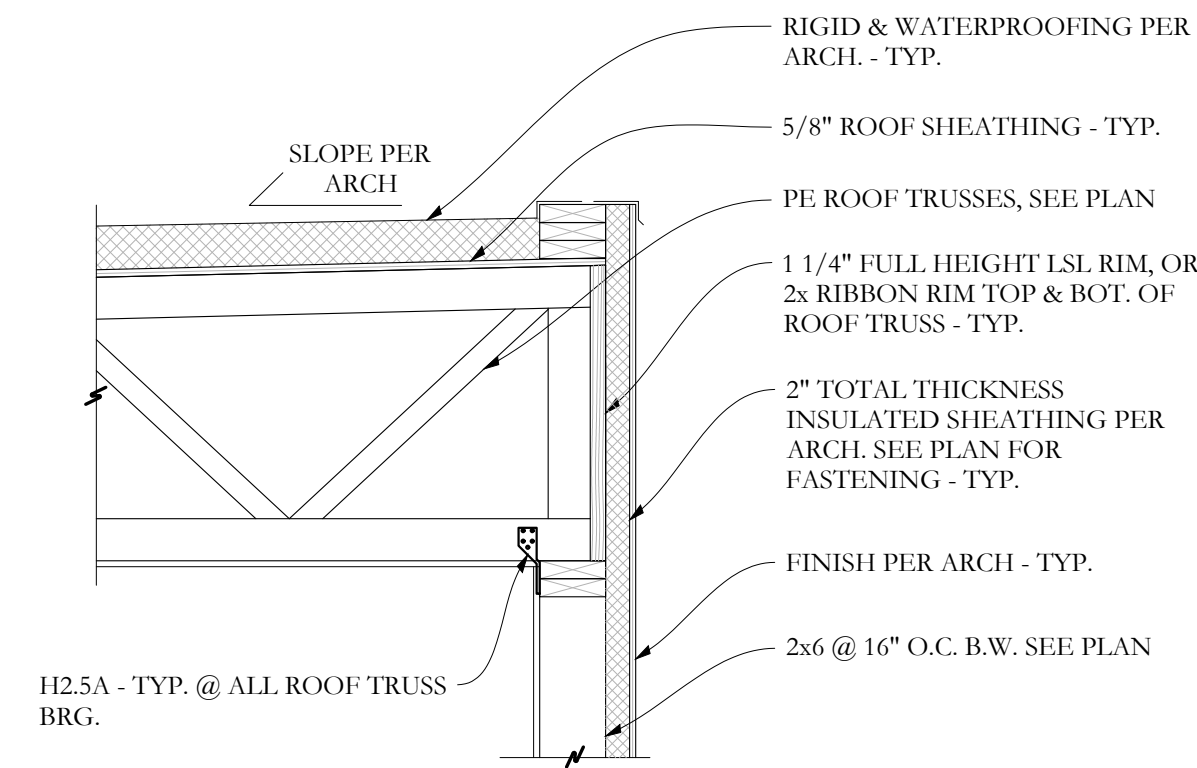


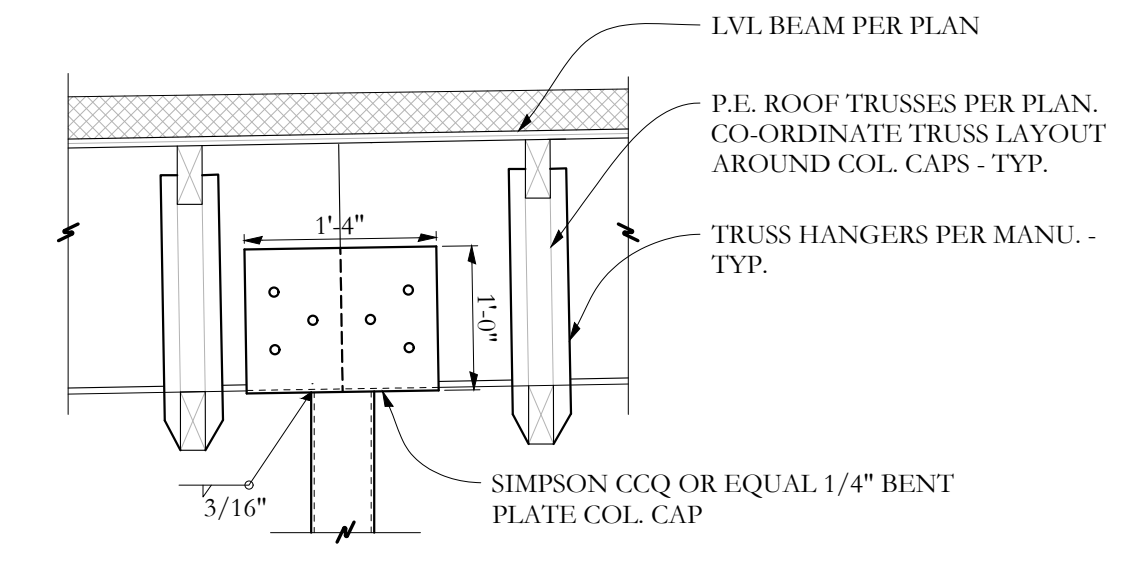
SECTION **H** 3/4"=1'-0" S2.1



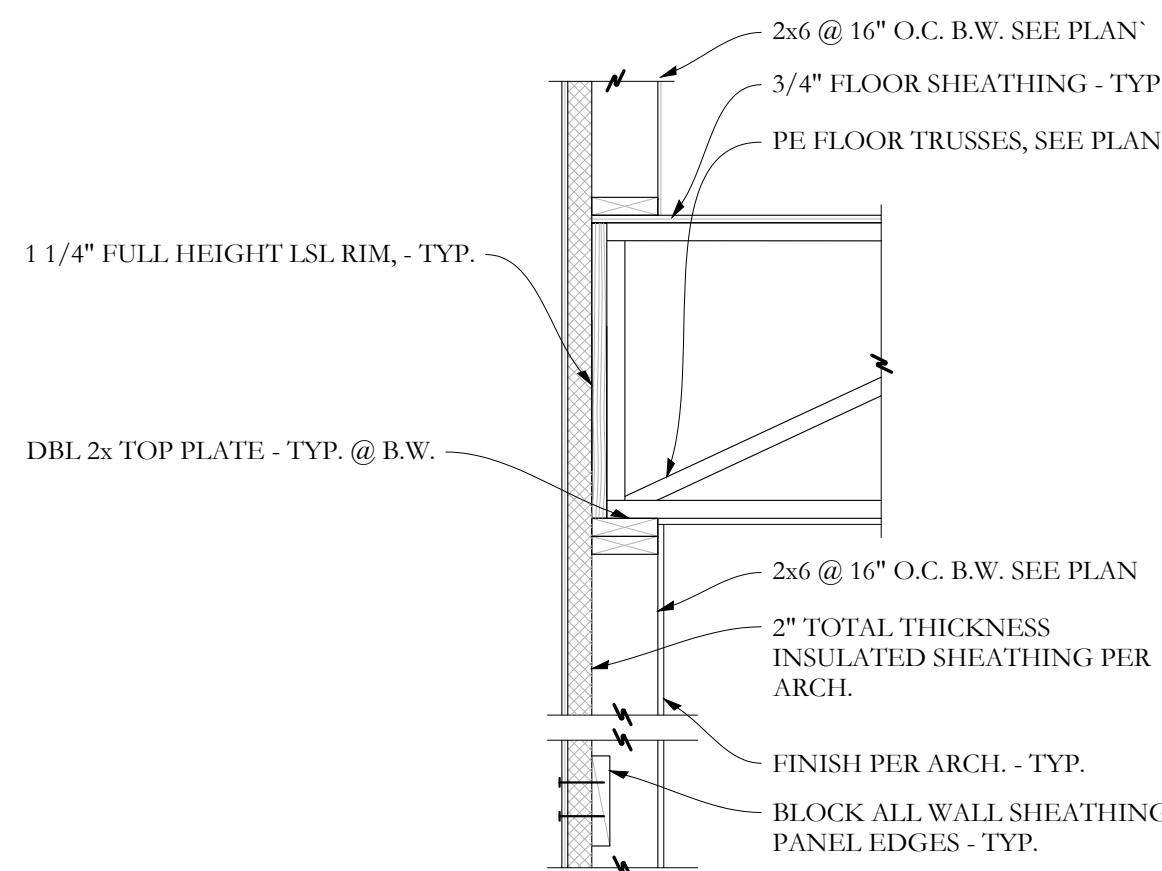
SECTION **I** 3/4"=1'-0" S2.1



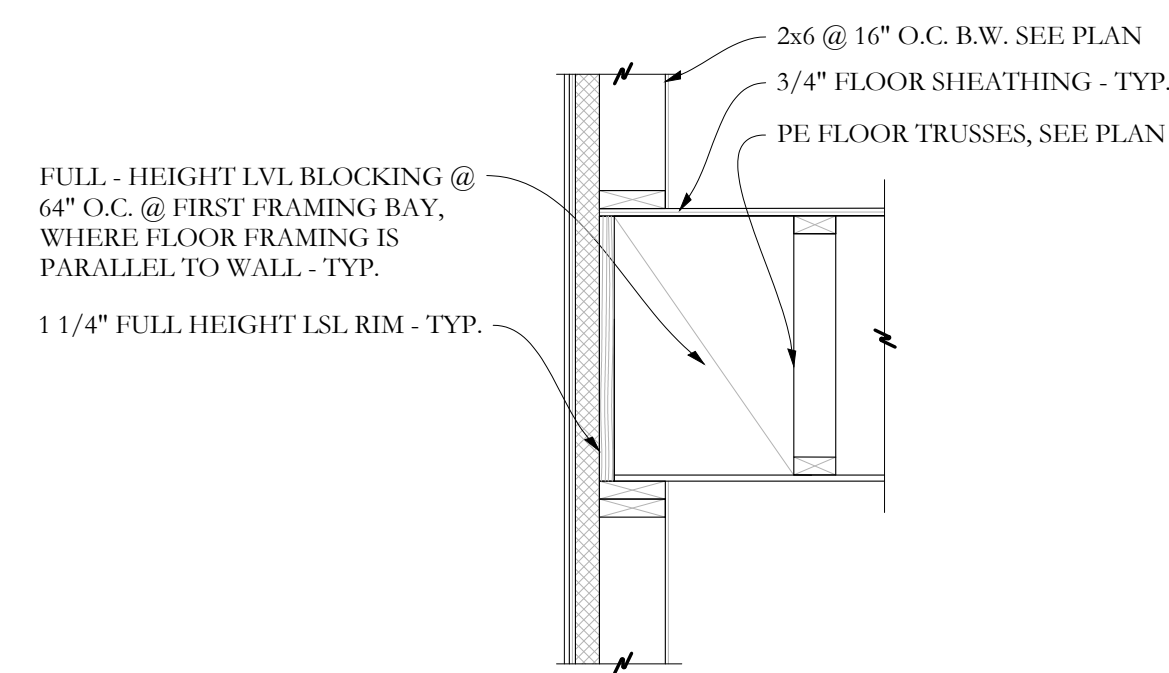
SECTION **K** 3/4"=1'-0" S2.1



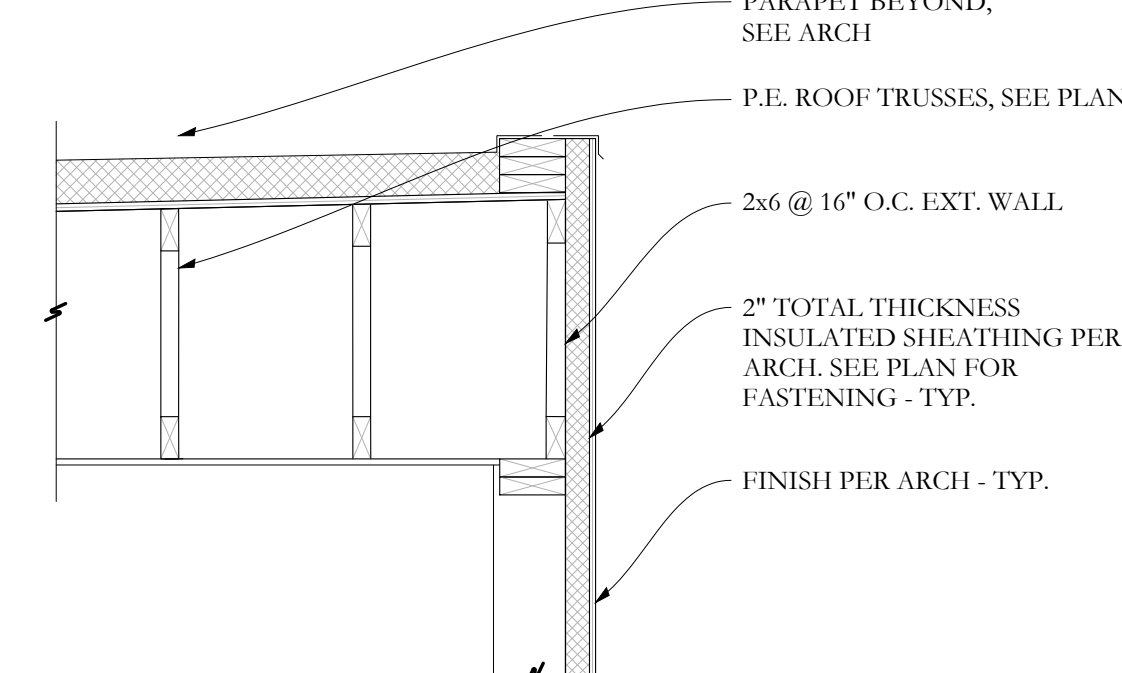
SECTION **L** 3/4"=1'-0" S2.1



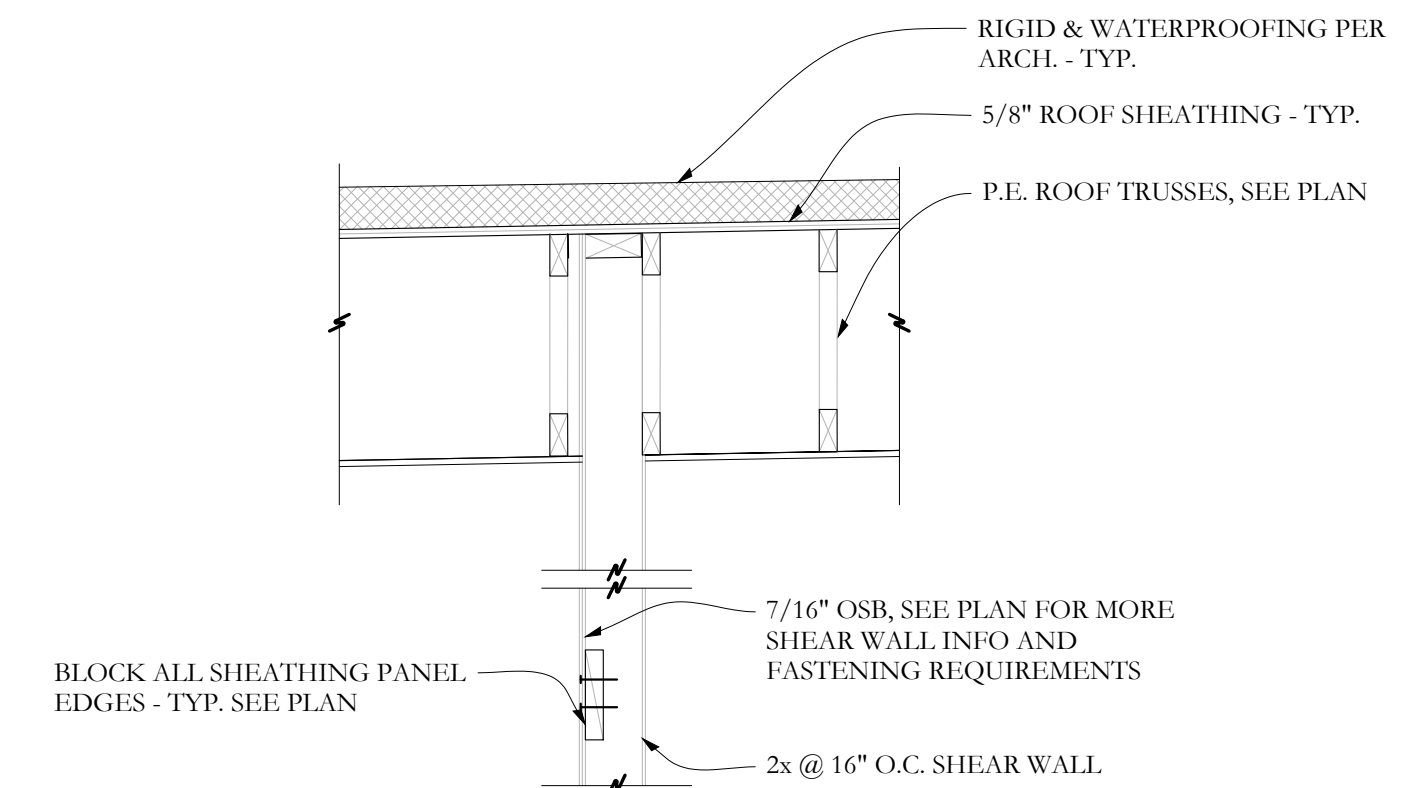
SECTION **D** 3/4"=1'-0" S2.1



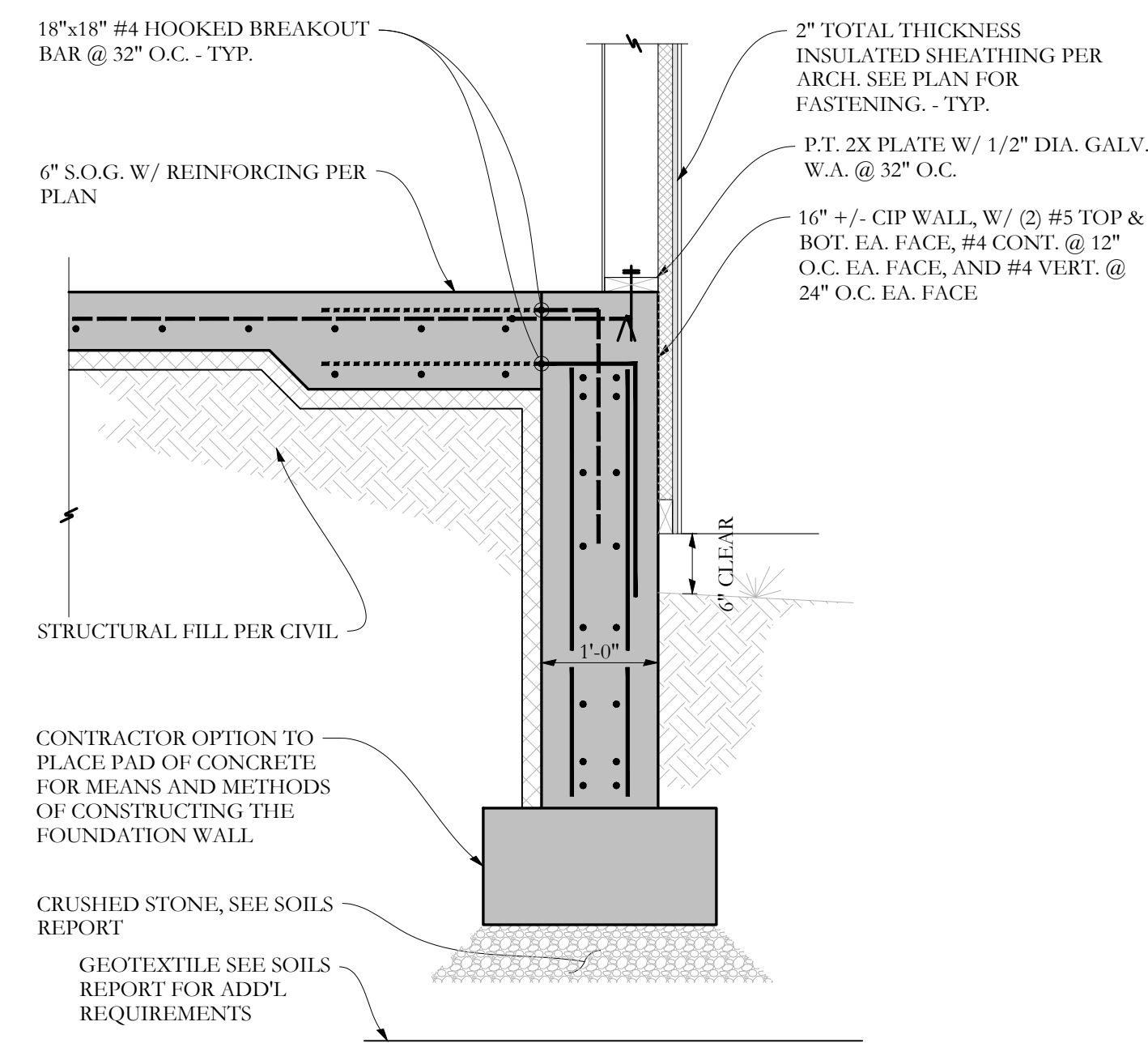
SECTION **E** 3/4"=1'-0" S2.1



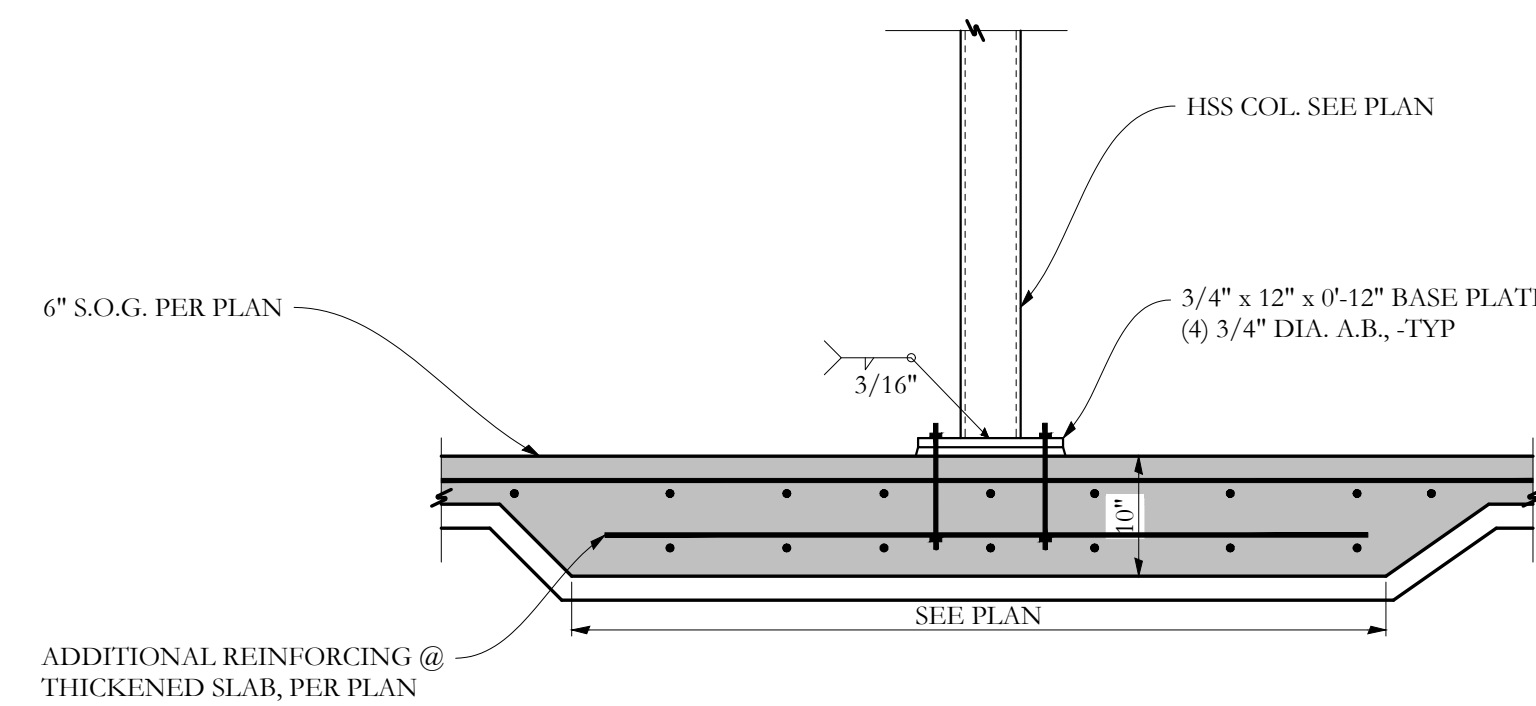
SECTION **F** 3/4"=1'-0" S2.1



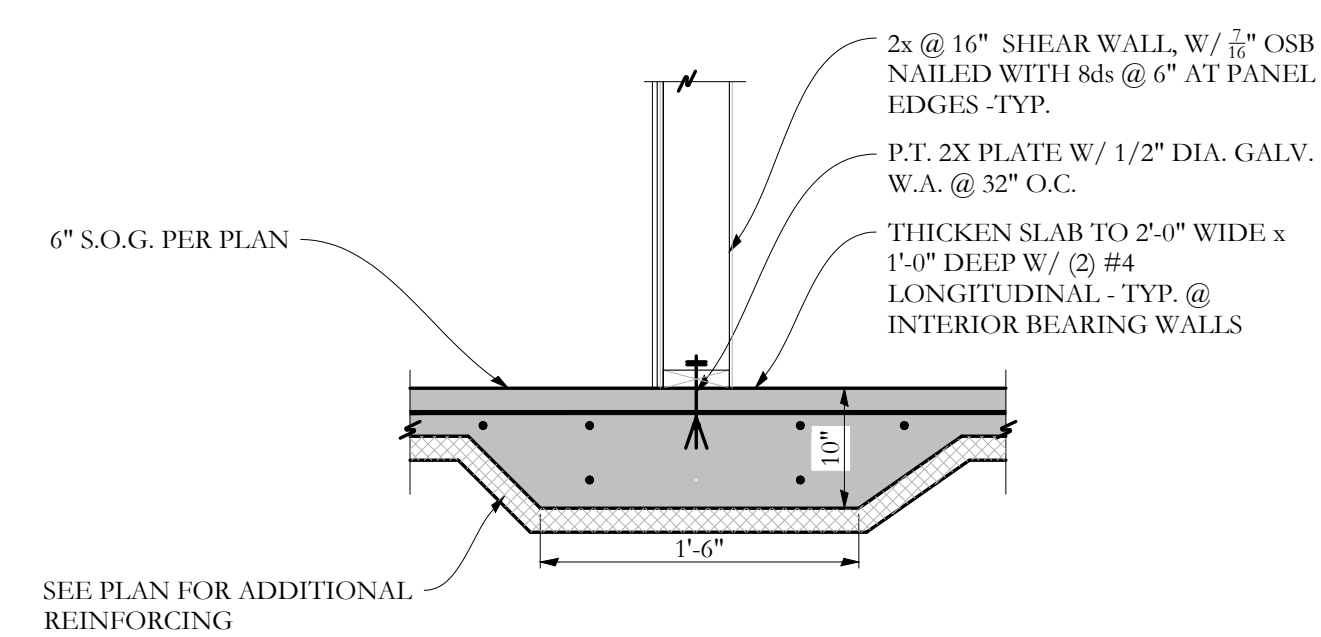
SECTION **G** 3/4"=1'-0" S2.1



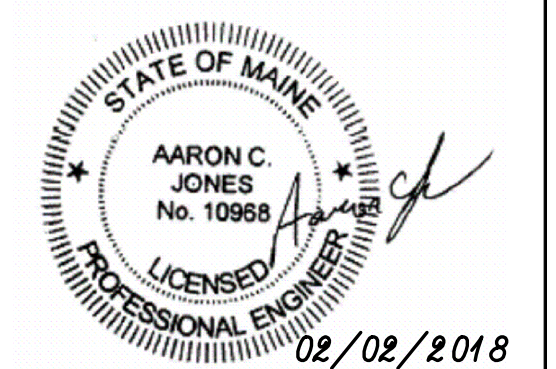
SECTION **A** 3/4"=1'-0" S2.1



SECTION **B** 3/4"=1'-0" S2.1



SECTION **C** 3/4"=1'-0" S2.1



Structural Integrity
 Consulting Engineers, Inc.
 46 Forest Ave
 Portland, ME, 04101
 p. 207-774-6644
 f. 866-793-7835
 www.structuralintegrity.com
 BUILD WITH CONFIDENCE
 © 2013 Structural Integrity Consulting Engineers, Inc.
 SI # 17-0127

REVISIONS	DATE	BY
1	02/14/18	
2	02/20/18	
3		
4		
5		