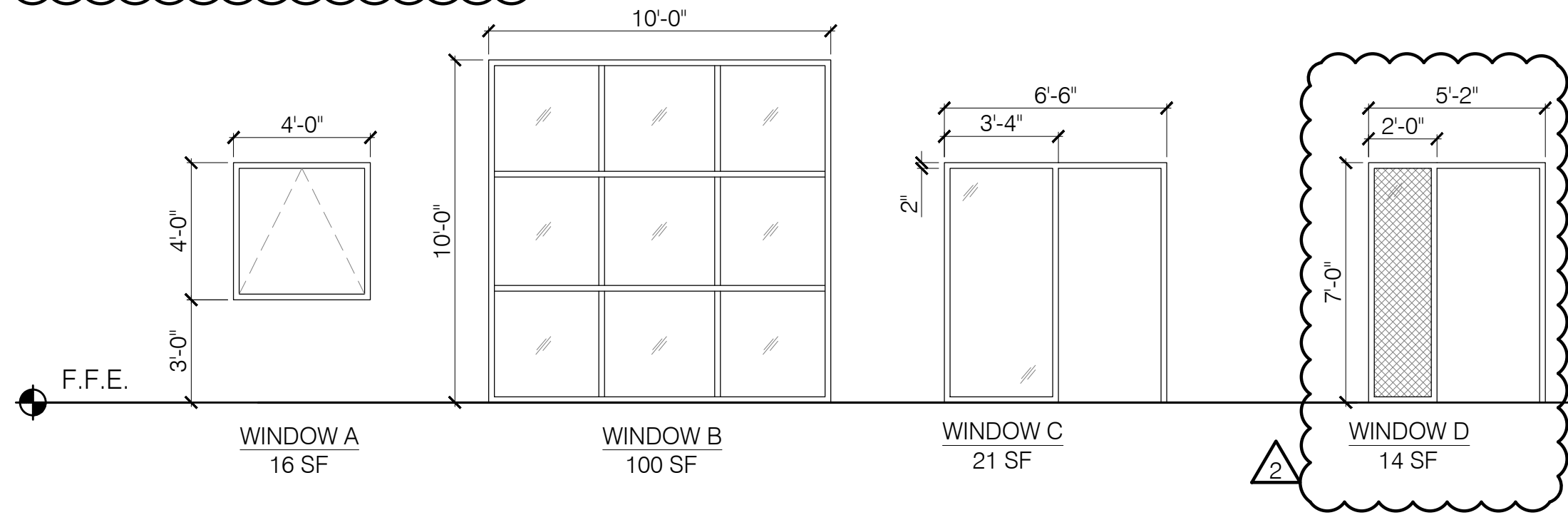
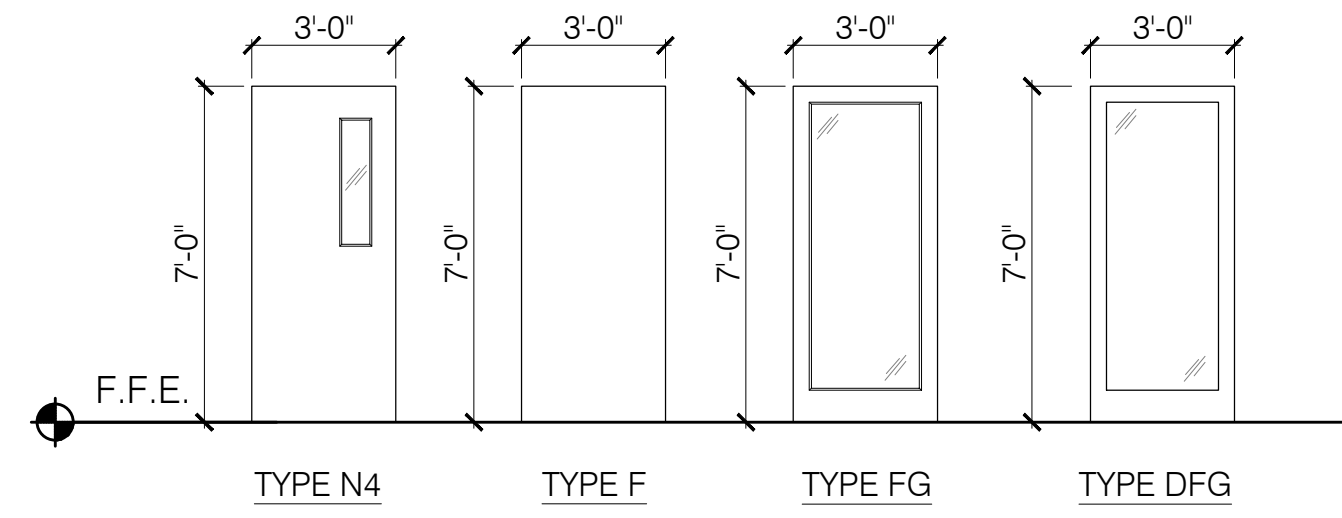


WINDOW SCHEDULE				
TYPE	SIZE (ROUGH OPENING)	MATERIAL	OPERATION	NOTES
A	4'-0" X 4'-0"	UPVC	AWNING	
B	10'-0" X 10'-0"	ALUMINUM	FIXED STOREFRONT	1
C	6'-6" X 7'-0"	ALUMINUM	FIXED STOREFRONT	
D	5'-2" X 7'-0"	STEEL	FIXED	2

NOTES:  
 1. ALTERNATE. SEE DOOR SCHEDULE FOR BASE BID.  
 2. GLAZING TO BE WIRED SAFETY GLASS



DOOR SCHEDULE									
DOOR #	FROM	TO	SIZE	DOOR MATERIAL	DOOR TYPE	DOOR RATING	FRAME	HARDWARE SET	NOTES
100	OUTSIDE	VESTIBULE	3'-0" X 7'-0"	ALUMINUM	DFG	-	ALUMINUM STOREFRONT	01	1, 2, 3, 4
101	-	-	-	-	-	-	-	-	-
102	VESTIBULE	OFFICE 1	3'-0" X 7'-0"	ALUMINUM	DFG	-	STEEL FRAME	01	1, 2, 3, 5
103	VESTIBULE	STAIRS 1	3'-0" X 7'-0"	SOLID CORE VENEER	N4	60 MIN.	HOLLOW METAL	02	2, 3
104	-	-	-	-	-	-	-	-	-
105	OFFICE 1	STORAGE	3'-0" X 7'-0"	SOLID CORE VENEER	F	-	HOLLOW METAL	04	2
106	-	-	-	-	-	-	-	-	-
107,110	OFFICE 1	TOILET	3'-0" X 7'-0"	SOLID CORE VENEER	F	-	HOLLOW METAL	03	2
108	OFFICE 1	STAIRS 2	3'-0" X 7'-0"	SOLID CORE VENEER	N4	90 MIN.	HOLLOW METAL	02	2, 3
109	STAIRS 2	OUTSIDE	3'-0" X 7'-0"	INSULATED STEEL	N4	-	HOLLOW METAL	01	2, 3, 4
201	STAIRS 1	CORRIDOR	3'-0" X 7'-0"	SOLID CORE VENEER	N4	60 MIN.	HOLLOW METAL	02	2, 3
202	STAIRS 2	CORRIDOR	3'-0" X 7'-0"	SOLID CORE VENEER	N4	90 MIN.	HOLLOW METAL	02	2, 3
203	CORRIDOR	OFFICE 3	3'-0" X 7'-0"	SOLID CORE VENEER	FG	20 MIN.	HOLLOW METAL	02	2, 3
204	CORRIDOR	OFFICE 2	3'-0" X 7'-0"	SOLID CORE VENEER	FG	20 MIN.	HOLLOW METAL	02	2, 3
205	OFFICE 2	TOILET	3'-0" X 7'-0"	SOLID CORE VENEER	F	-	HOLLOW METAL	03	2
206	OFFICE 3	TOILET	3'-0" X 7'-0"	SOLID CORE VENEER	F	-	HOLLOW METAL	03	2
207	CORRIDOR	SERV.CLOSET	3'-0" X 7'-0"	SOLID CORE VENEER	F	-	HOLLOW METAL	04	2
208,209	OFFICE	UTL CLOSET	3'-0" X 7'-0"	SOLID CORE VENEER	F	-	HOLLOW METAL	04	2



FINISH SCHEDULE									
ROOM NAME	FLOOR	WALLS				WAINSCOTING	BASE	CEILING	NOTES
		N	S	E	W				
VESTIBULE	CONC	GWB	GWB	GWB	GWB	-	RWB	GWB - PT	2, 5
STAIR 1	RSF	GWB	GWB	GWB	GWB	-	RWB	GWB - PT	2
OFFICE 1	CONC	GWB	GWB	GWB	GWB	-	-	GWB	3, 4, 6
1ST FLOOR UNISEX BATH - TYP.	CONC	GWB	GWB	GWB	GWB	-	-	GWB - PT	3, 4, 5
STAIR 2	RSF	GWB	GWB	GWB	GWB	-	RWB	GWB - PT	2
CORRIDOR	CPT TILE	GWB	GWB	GWB	GWB	-	RWB	ACT	2
OFFICE 2	CPT	GWB	GWB	GWB	GWB	-	-	ACT	2
2ND FLOOR UNISEX BATH - TYP.	VCT	GWB	GWB	GWB	GWB	-	-	GWB - PT	
OFFICE 3	CPT	GWB	GWB	GWB	GWB	-	-	ACT	2

NOTES:  
 1. -  
 2. GWB TO BE PAINTED.  
 3. GWB TO BE PRIMED ONLY. PAINT BY FUTURE TENANT.  
 4. WALL BASE AND FLOORING BY FUTURE TENANT.  
 5. SEALED & POLISHED CONCRETE FLOOR (BASE BID)  
 6. SEALED & POLISHED CONCRETE FLOOR (ALTERNATE)

DOOR SCHEDULE NOTES:

- DOOR HARDWARE AND ACCESSORIES TO BE ADA COMPLIANT.
- COORDINATE DOOR HARDWARE FINISHES AND DESIGNS WITH OWNER.
- GLAZING TO BE TEMPERED SAFETY GLASS.
- EXTERIOR DOOR TO BE THERMALLY BROKEN.
- GLAZING TO BE WIRED SAFETY GLASS.

HARDWARE SETS:

- 01 ENTRY DOOR: (3) CLEAR OFFSET HINGES, KEY CYLINDER, EXIT DEVICE W/ PULL, SURFACE CLOSER, DOOR STOP, ADA THRESHOLD, DOOR SWEEP, WEATHERSTRIPPING GASKETING
- 02 PASSAGE DOOR: (3) CLEAR OFFSET HINGES, CLOSER, PASSAGE LOCKSET, DOOR STOP
- 03 PRIVACY DOOR: (3) CLEAR OFFSET HINGES, BATHROOM PRIVACY LOCKSET, DOOR STOP
- 04 STORAGE DOOR: (3) HINGES, STRIKE, CLOSET/STORAGE LOCKSET, DOOR STOP
- 05 OVERHEAD DOOR: OVERHEAD DOOR TRACK, ELECTRIC OPERATOR, BOTTOM-SENSING EDGE, WEATHERSTRIPPING GASKETING

KEY :

- ACT ACOUSTICAL CEILING TILE
- CONC. CONCRETE
- CPT. CARPET
- CPT TILE CARPET TILE
- GWB GYPSUM WALL BOARD
- INSUL INSULATION
- PLWD PLYWOOD
- PT PAINT
- RSF RESILIENT SHEET FLOORING
- RWB RESILIENT/RUBBER WALL BASE
- SAT SUSPENDED ACOUSTICAL TILE
- VCT VINYL COMPOSITE TILE