

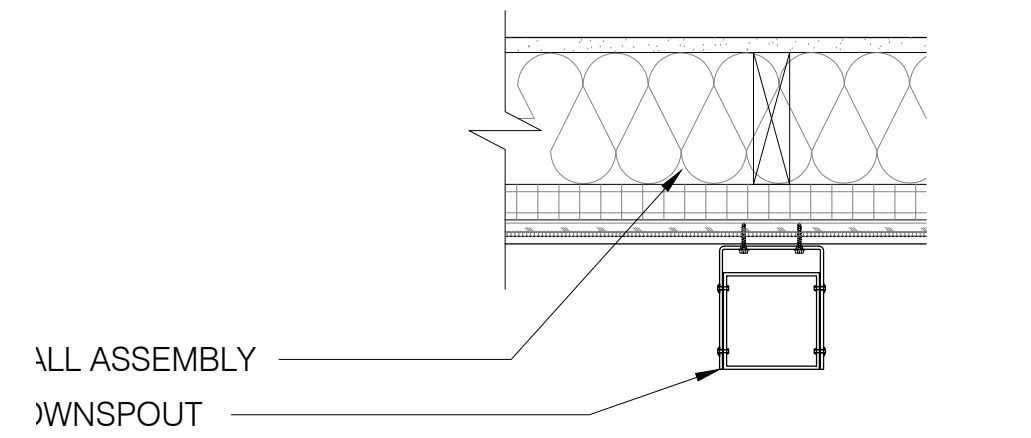
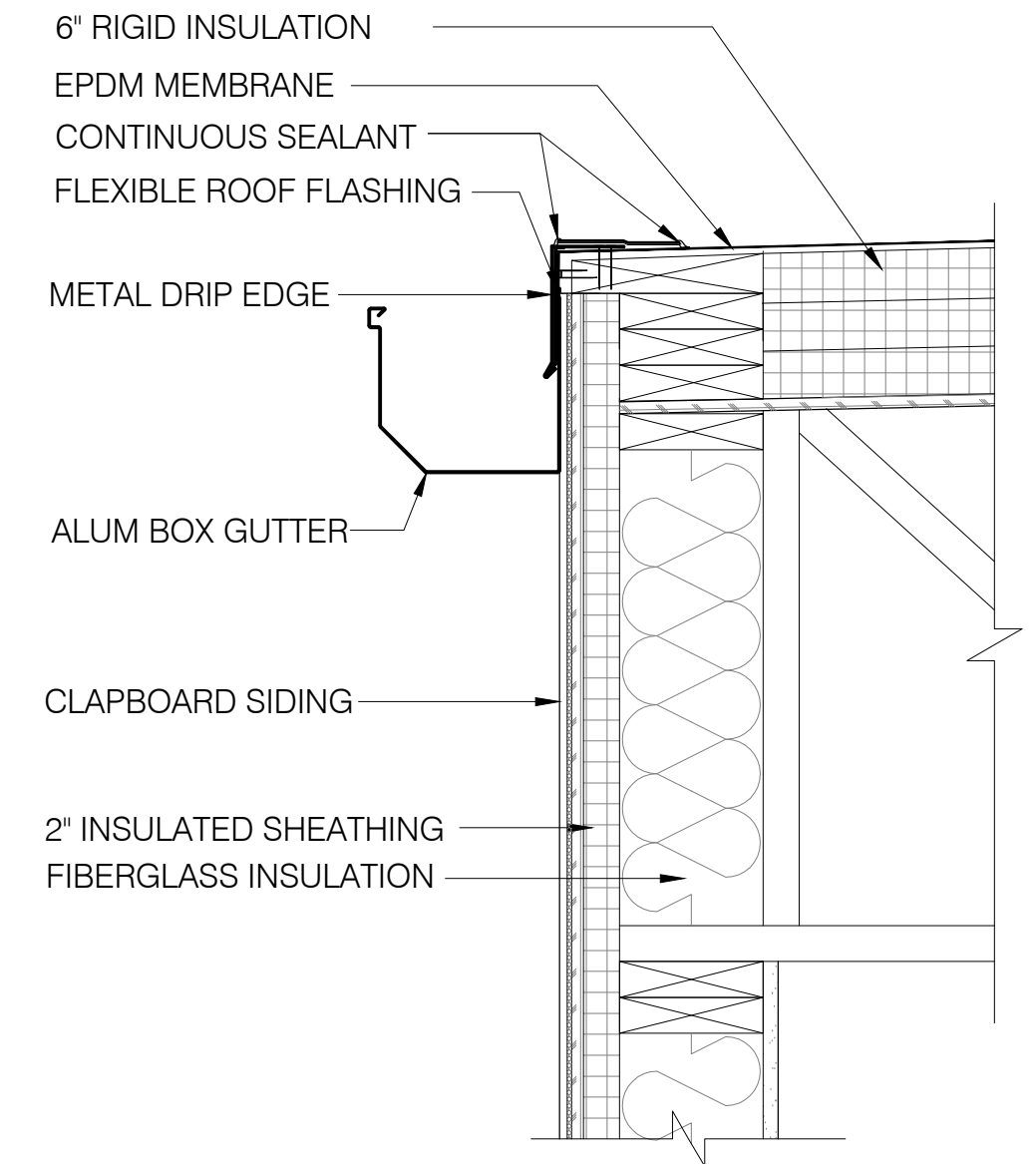
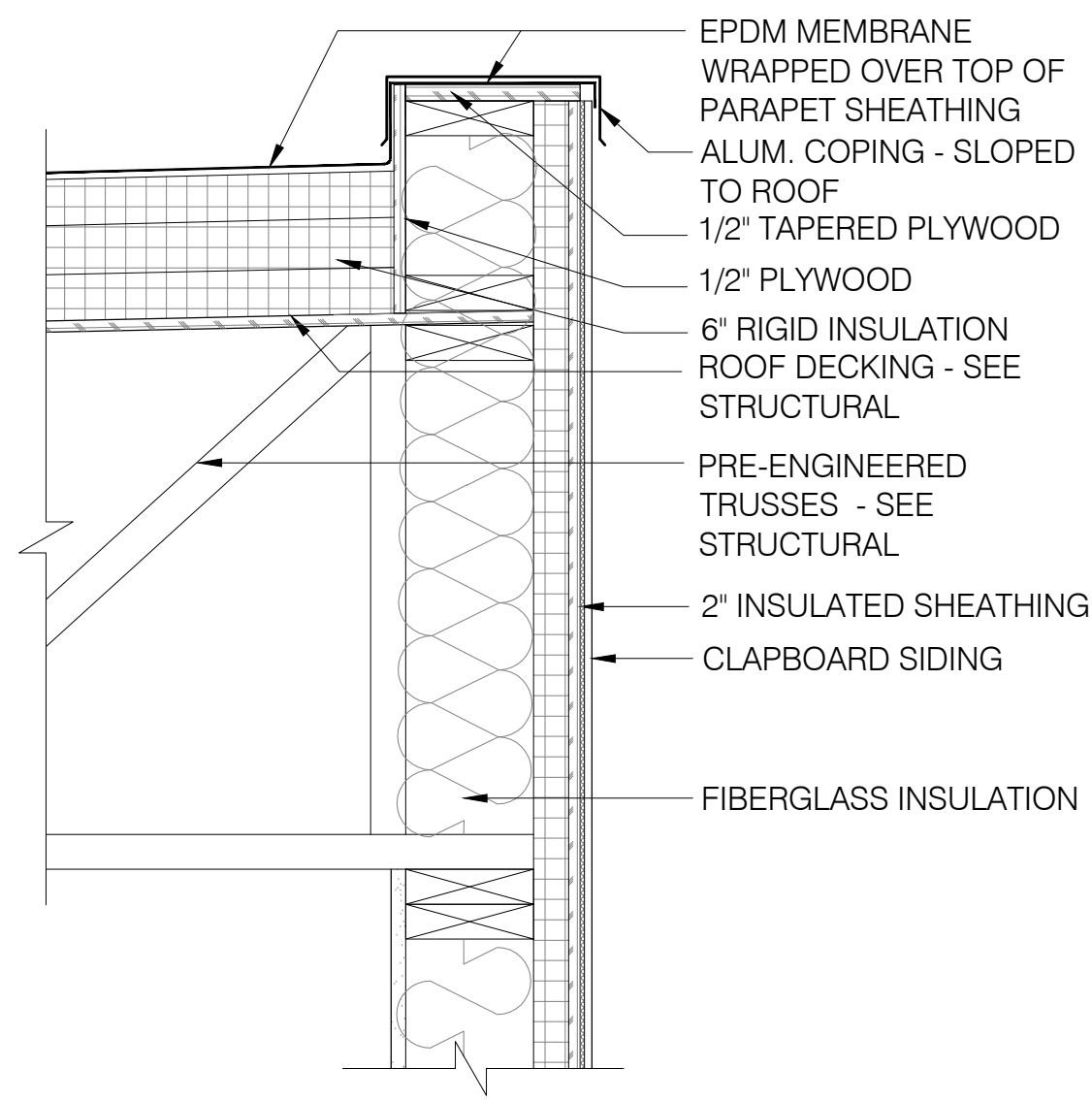
1 B. WALL DETAIL  
SCALE: 1-1/2" = 1'-0"

2 VERTICAL SIDING JOINT  
SCALE: 1-1/2" = 1'-0"

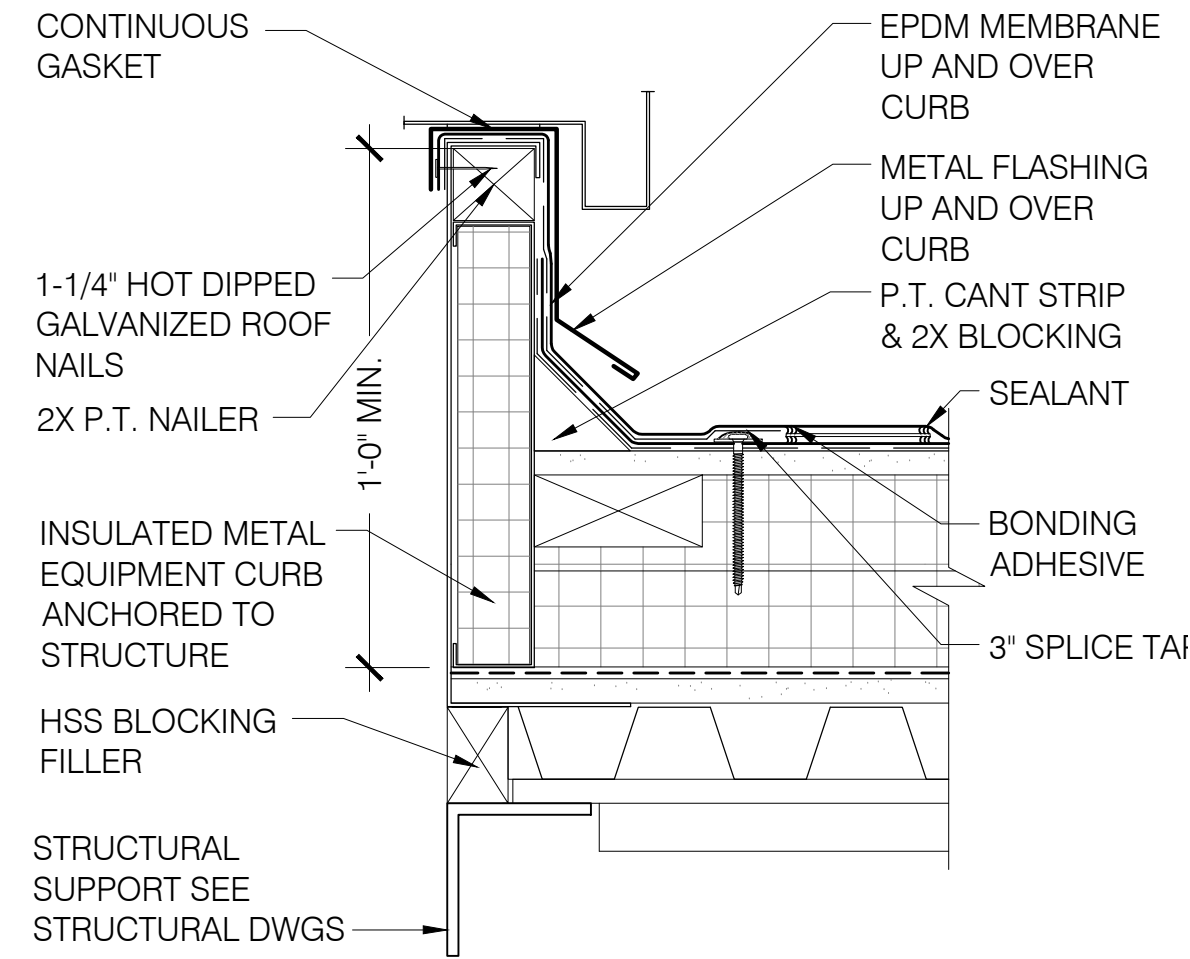
3 HORIZONTAL SIDING JOINT  
SCALE: 1-1/2" = 1'-0"

4 PARAPET DETAIL  
SCALE: 1 1/2" = 1'-0"

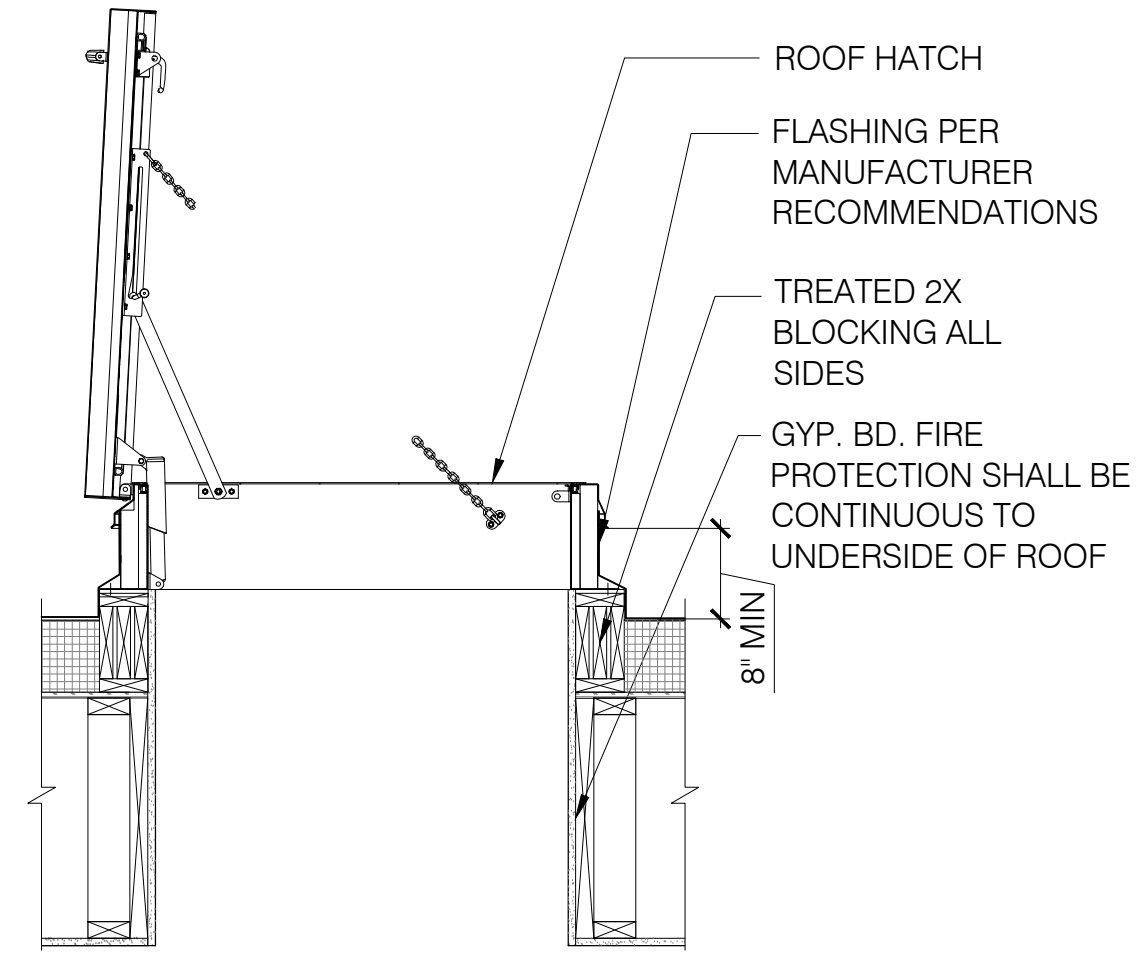
5 GUTTER DETAIL  
SCALE: 1-1/2" = 1'-0"



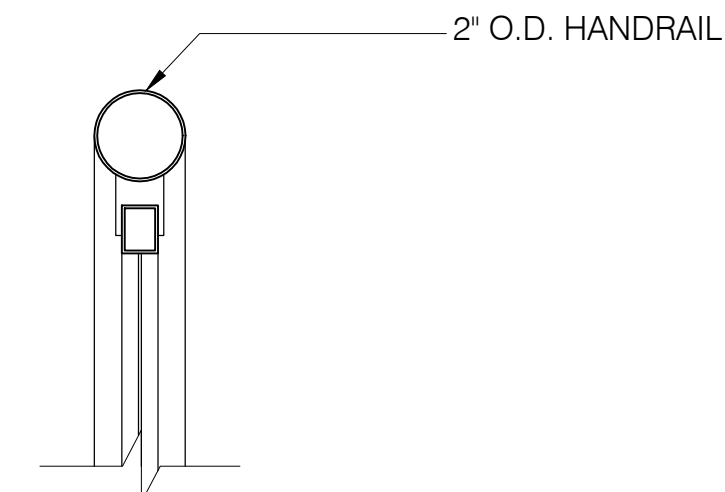
6 DOWNSPOUT DETAIL  
SCALE: 1-1/2" = 1'-0"



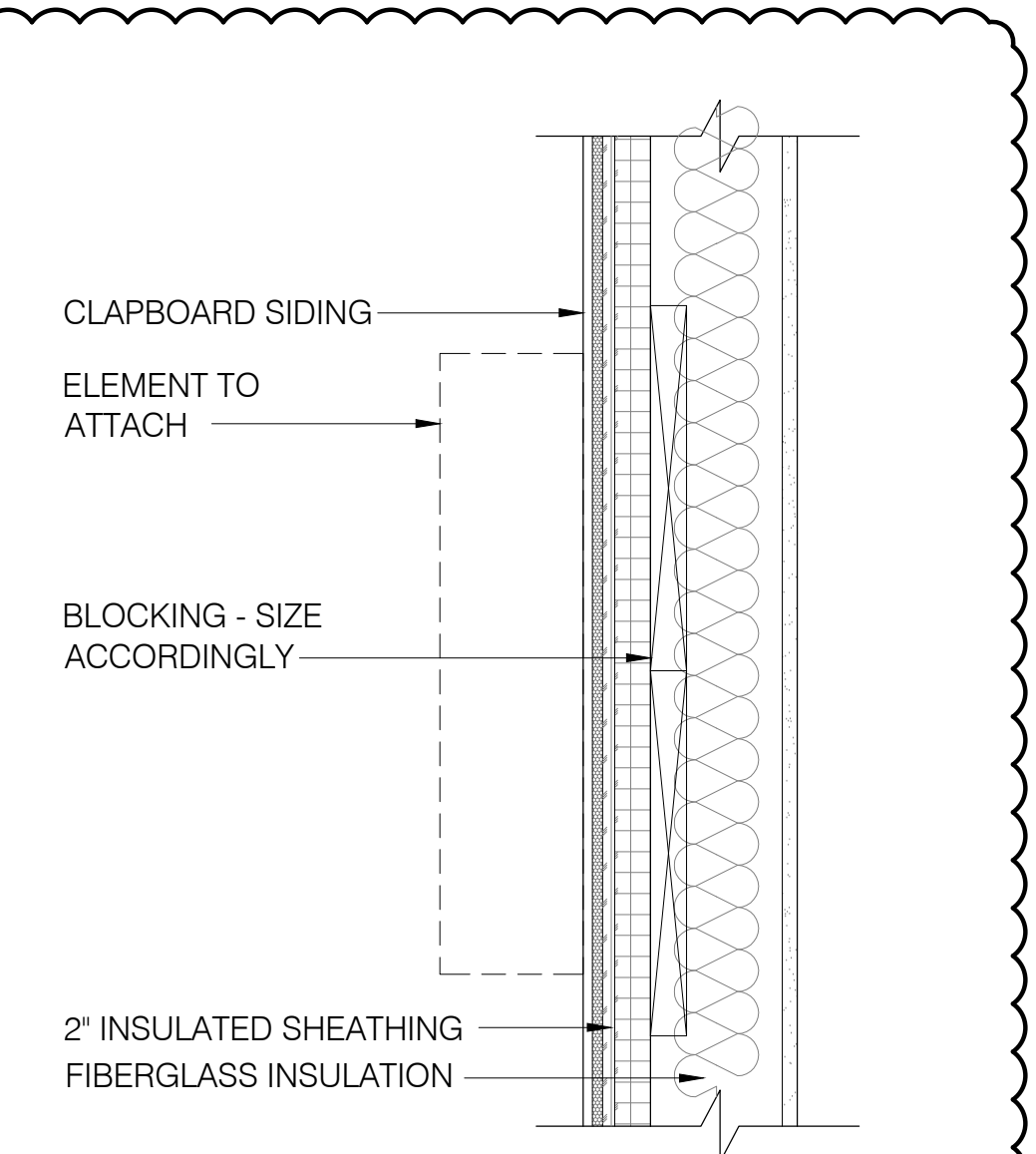
7 EQUIPMENT CURB DETAIL  
SCALE: 3" = 1'-0"



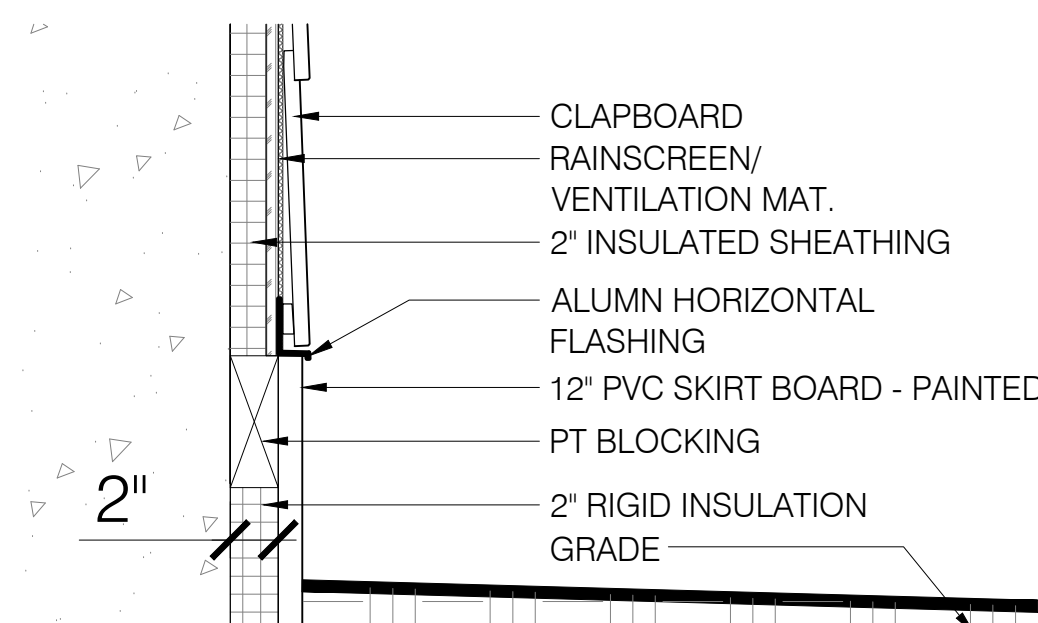
8 ROOF HATCH DETAIL  
SCALE: 3/4" = 1'-0"



9 EXTERIOR RAILING DETAIL  
SCALE: 3" = 1'-0"



10 GENERIC BLOCKING  
SCALE: 1-1/2" = 1'-0"



11 BASE OF WALL DETAIL  
SCALE: 3/4" = 1'-0"