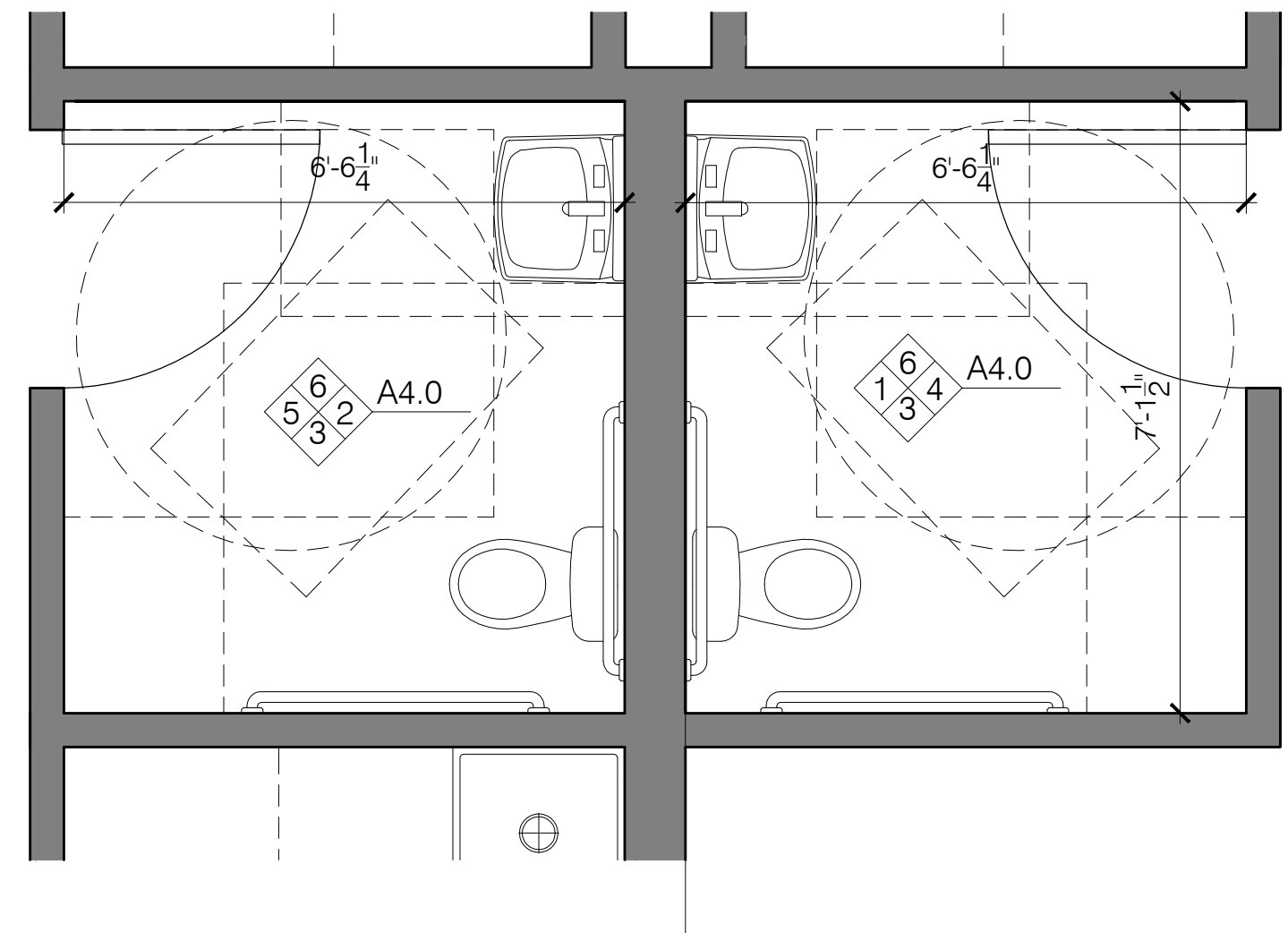
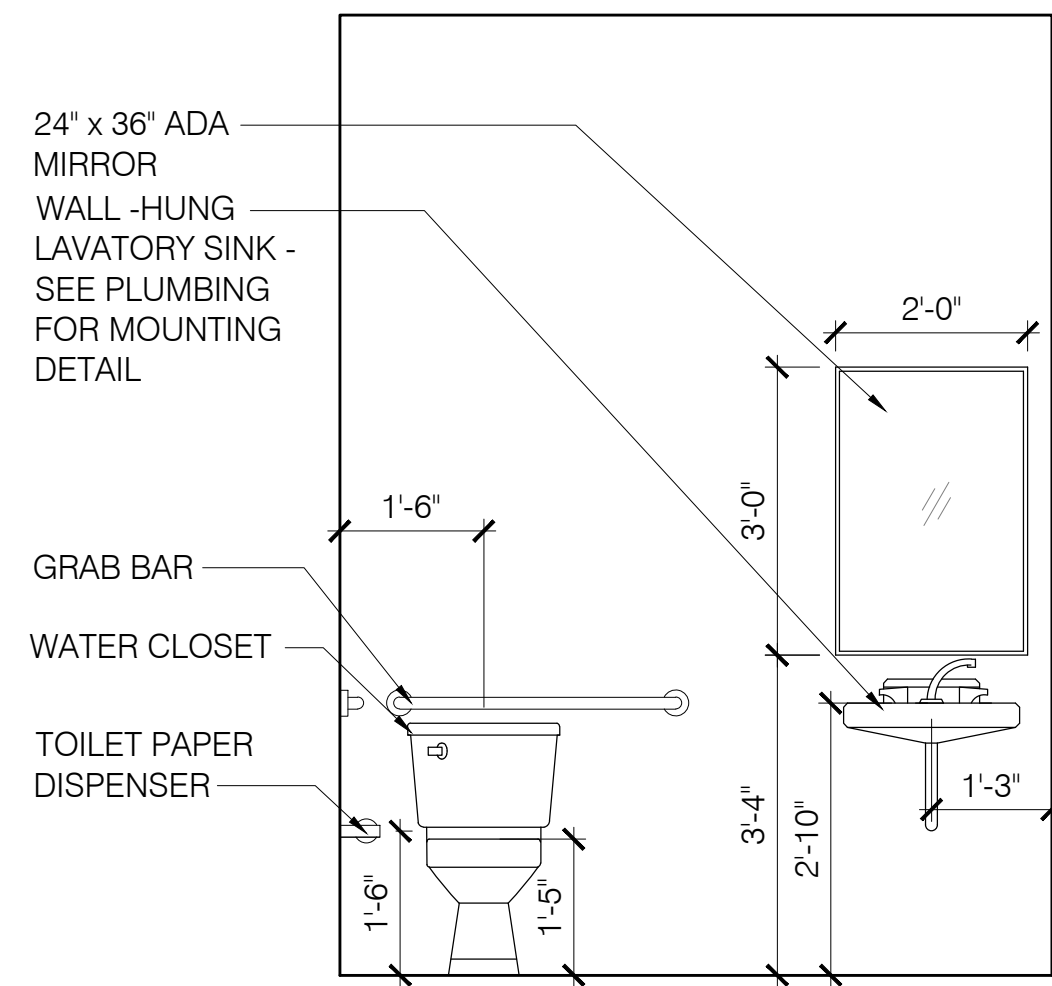


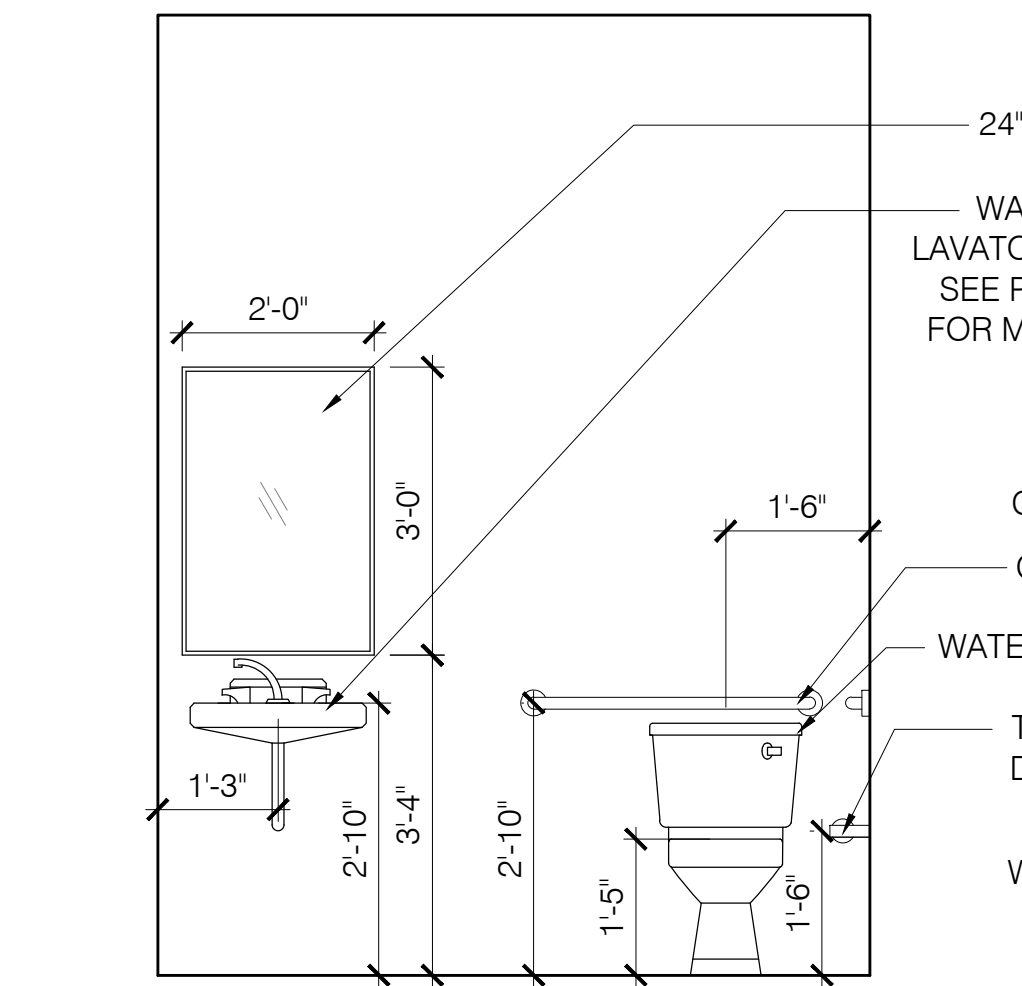
FIRST FLOOR TOILET PLAN
SCALE: 1/2" = 1'-0"



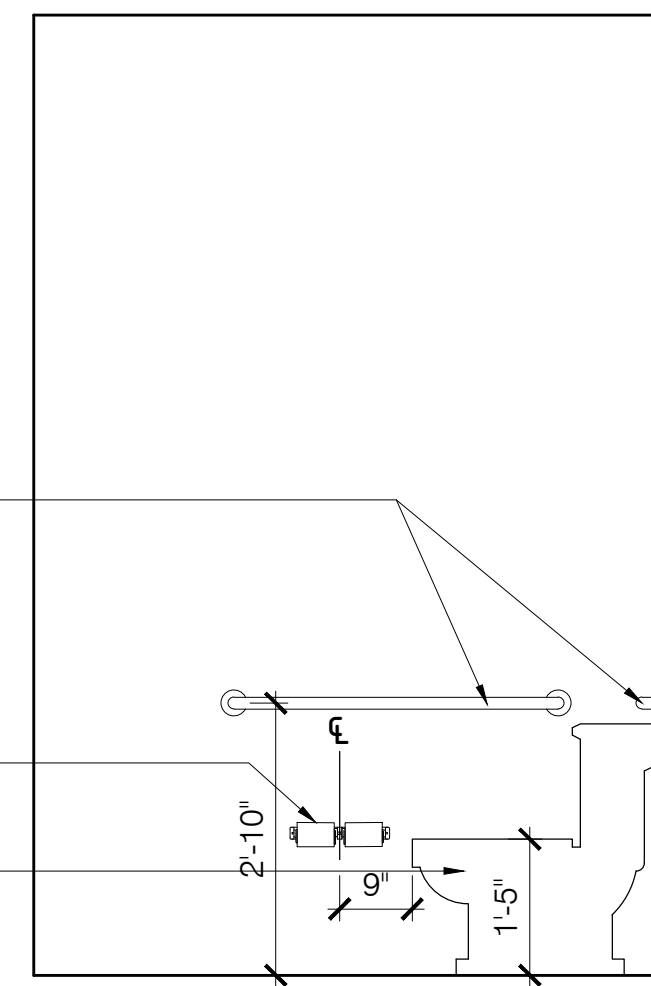
SECOND FLOOR TOILET PLAN
SCALE: 1/2" = 1'-0"



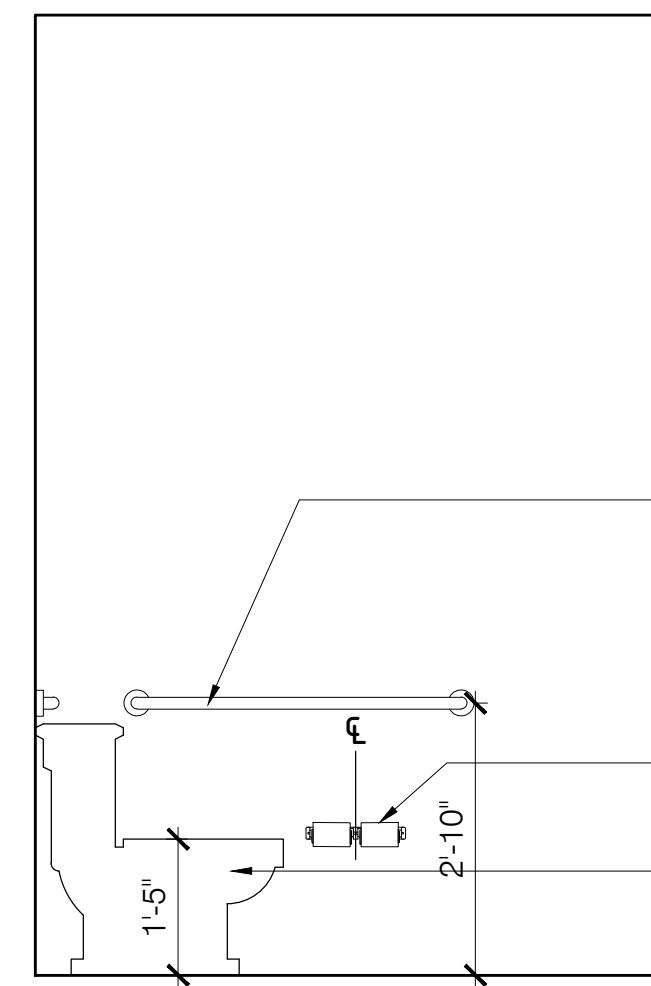
1 ADA RESTROOM INT ELEV
SCALE: 1/2" = 1'-0"



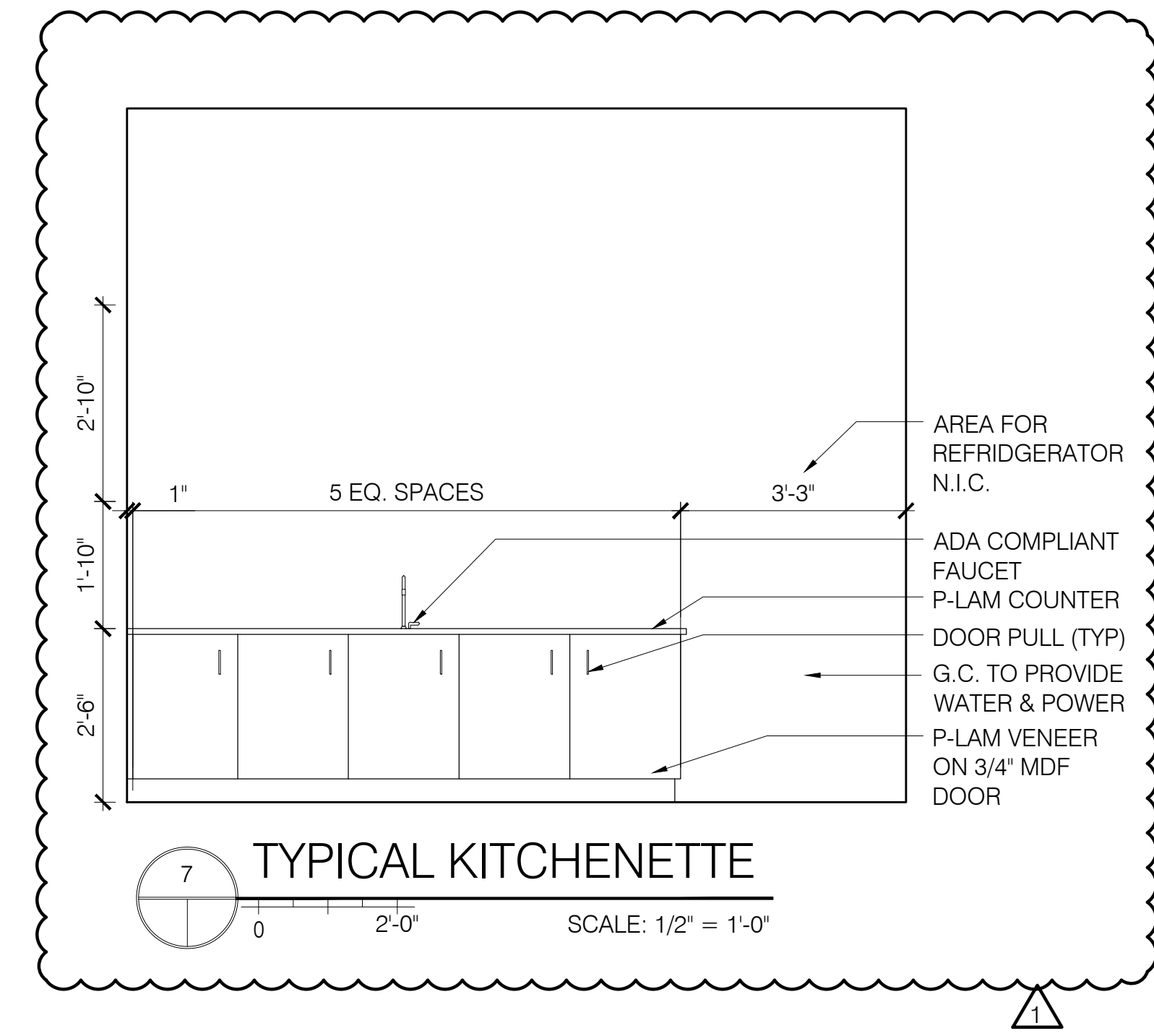
2 ADA RESTROOM INT ELEV
SCALE: 1/2" = 1'-0"



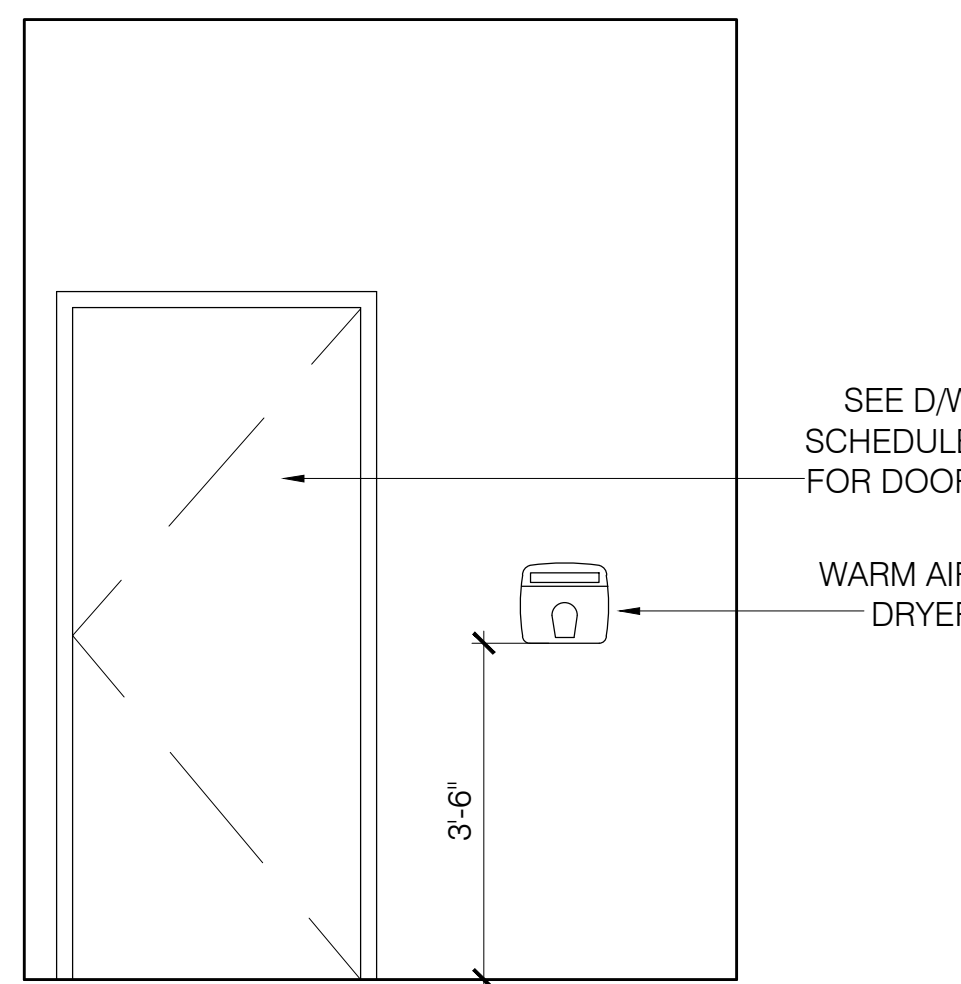
3 ADA RESTROOM INT ELEV
SCALE: 1/2" = 1'-0"



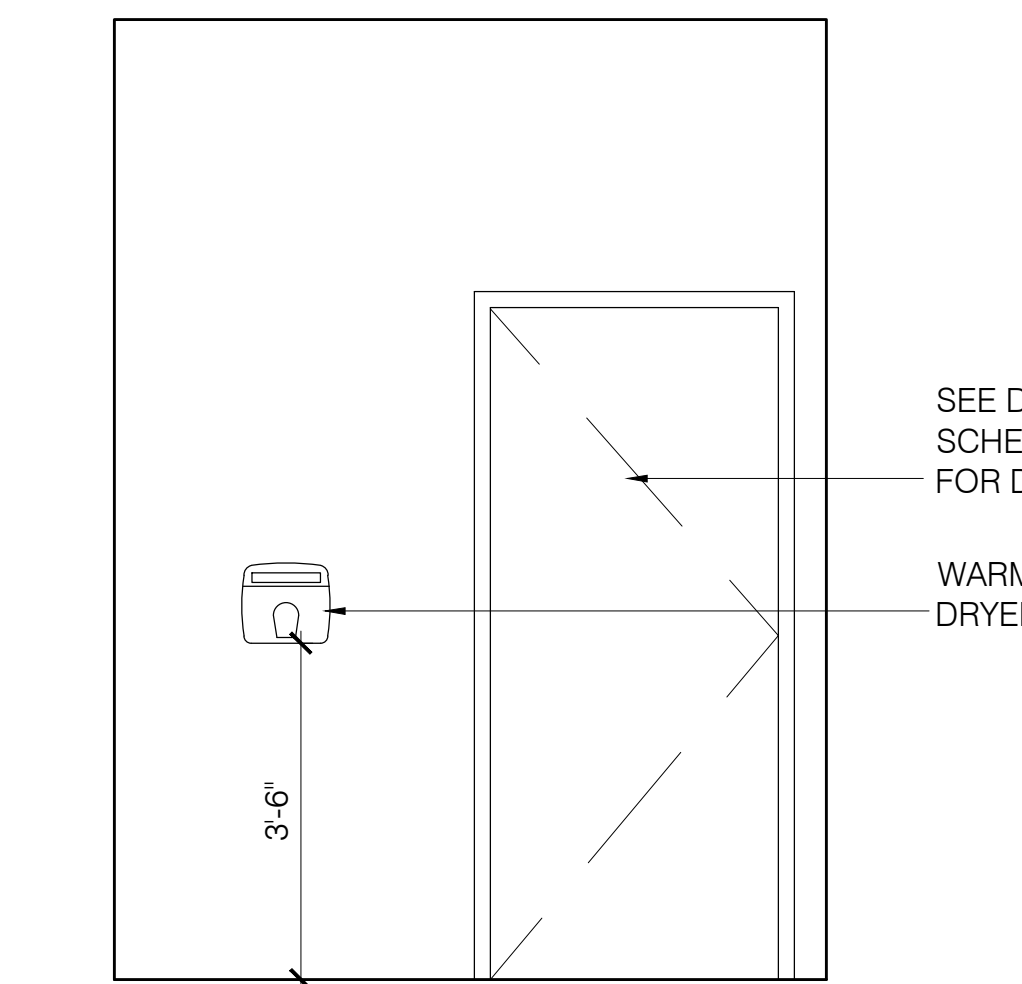
4 ADA RESTROOM INT ELEV
SCALE: 1/2" = 1'-0"



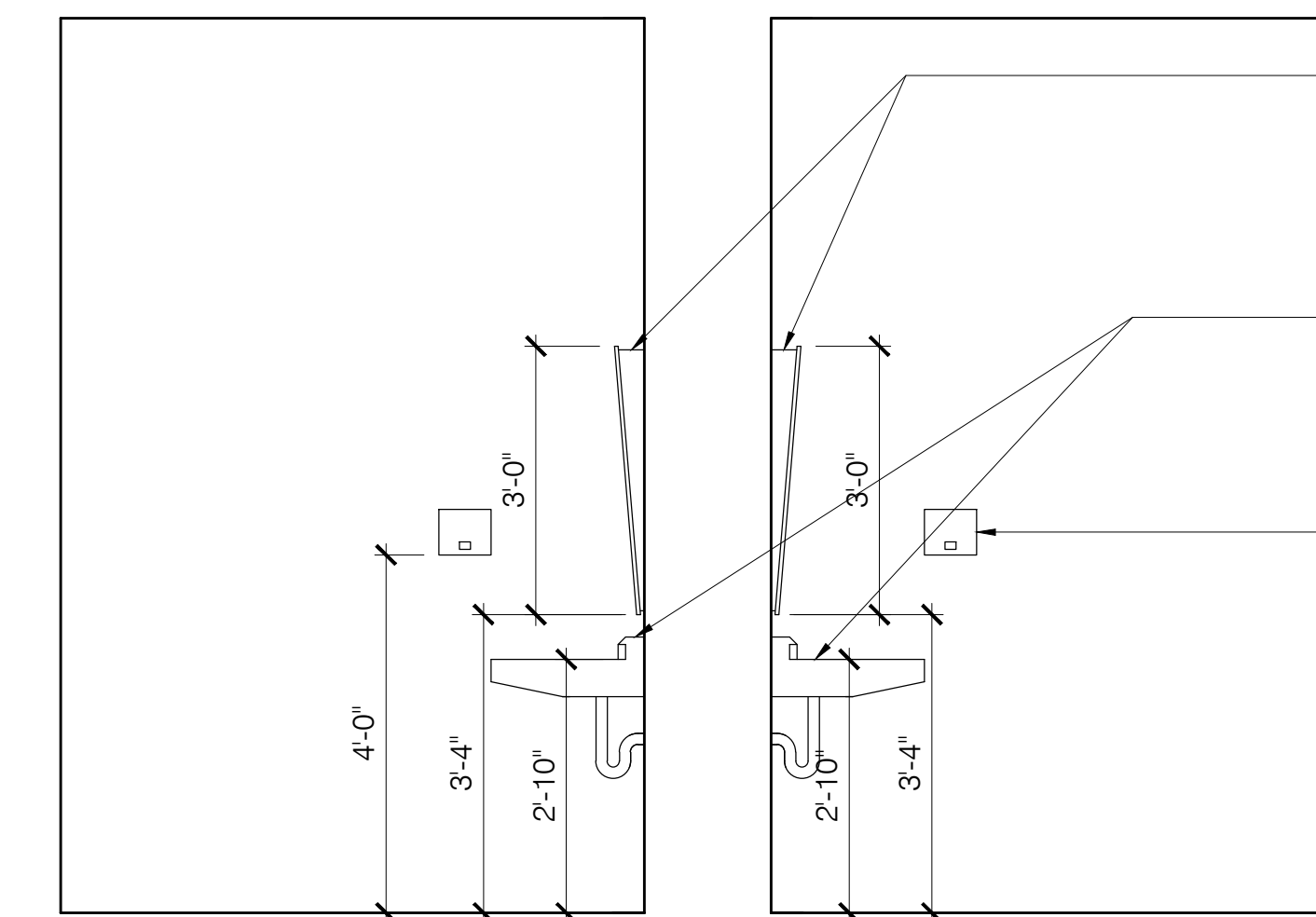
7 TYPICAL KITCHENETTE
SCALE: 1/2" = 1'-0"



4 ADA RESTROOM INT ELEV
SCALE: 1/2" = 1'-0"



5 ADA RESTROOM INT ELEV
SCALE: 1/2" = 1'-0"



6 ADA RESTROOM INT ELEV
SCALE: 1/2" = 1'-0"