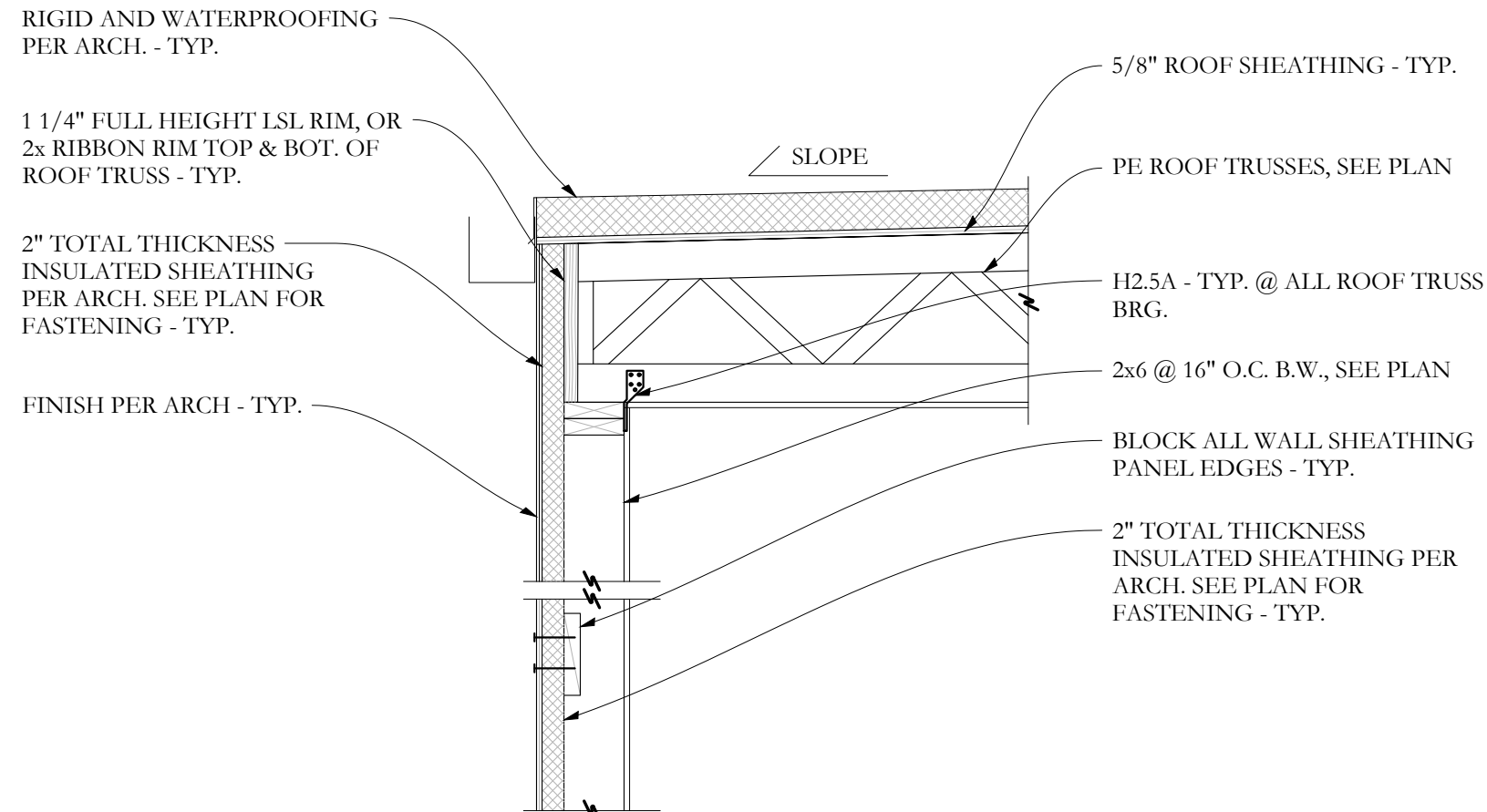
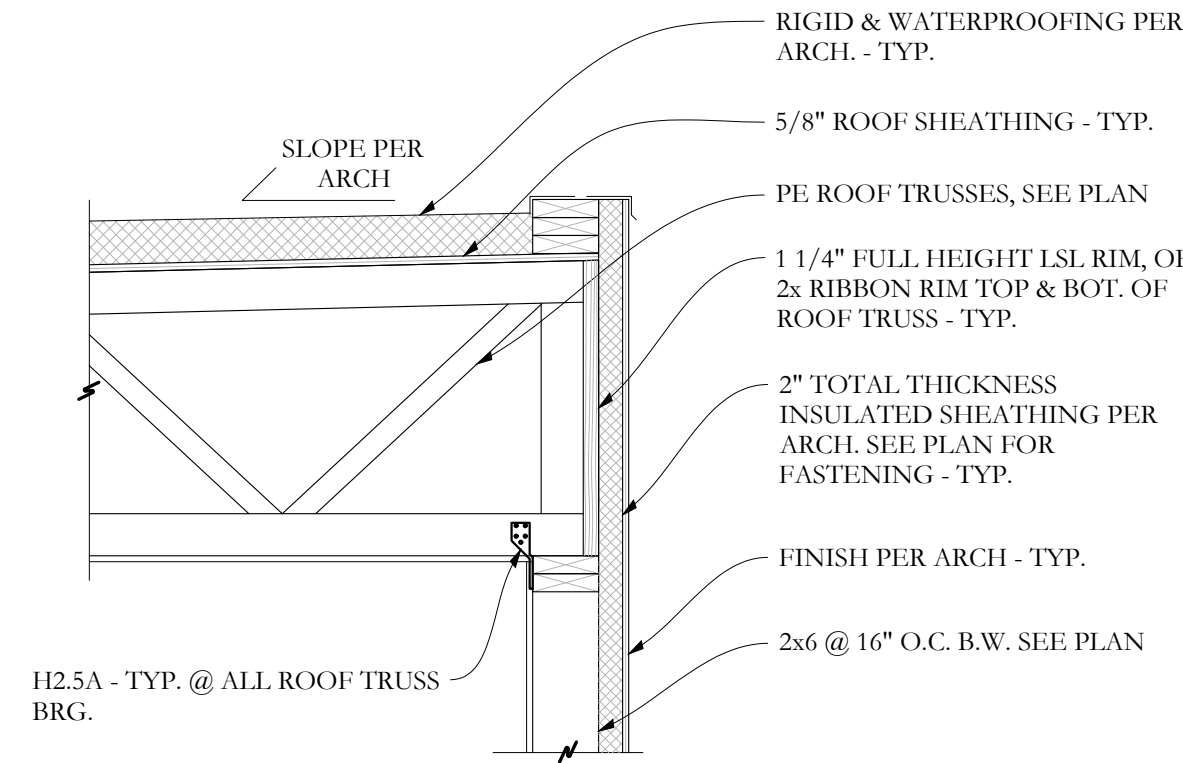


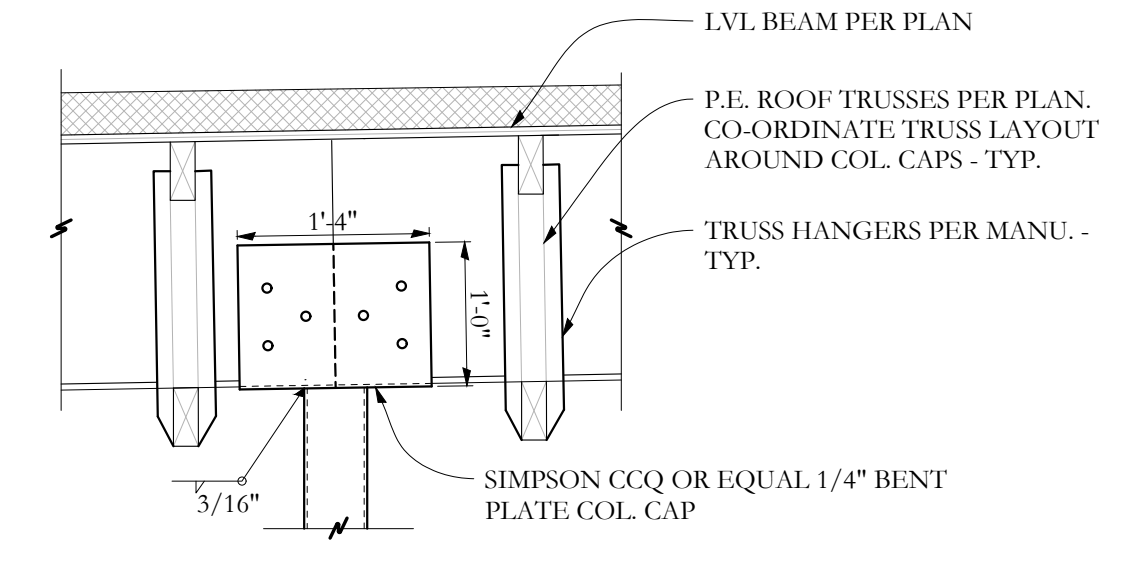
SECTION **H** 3/4"=1'-0" S2.1



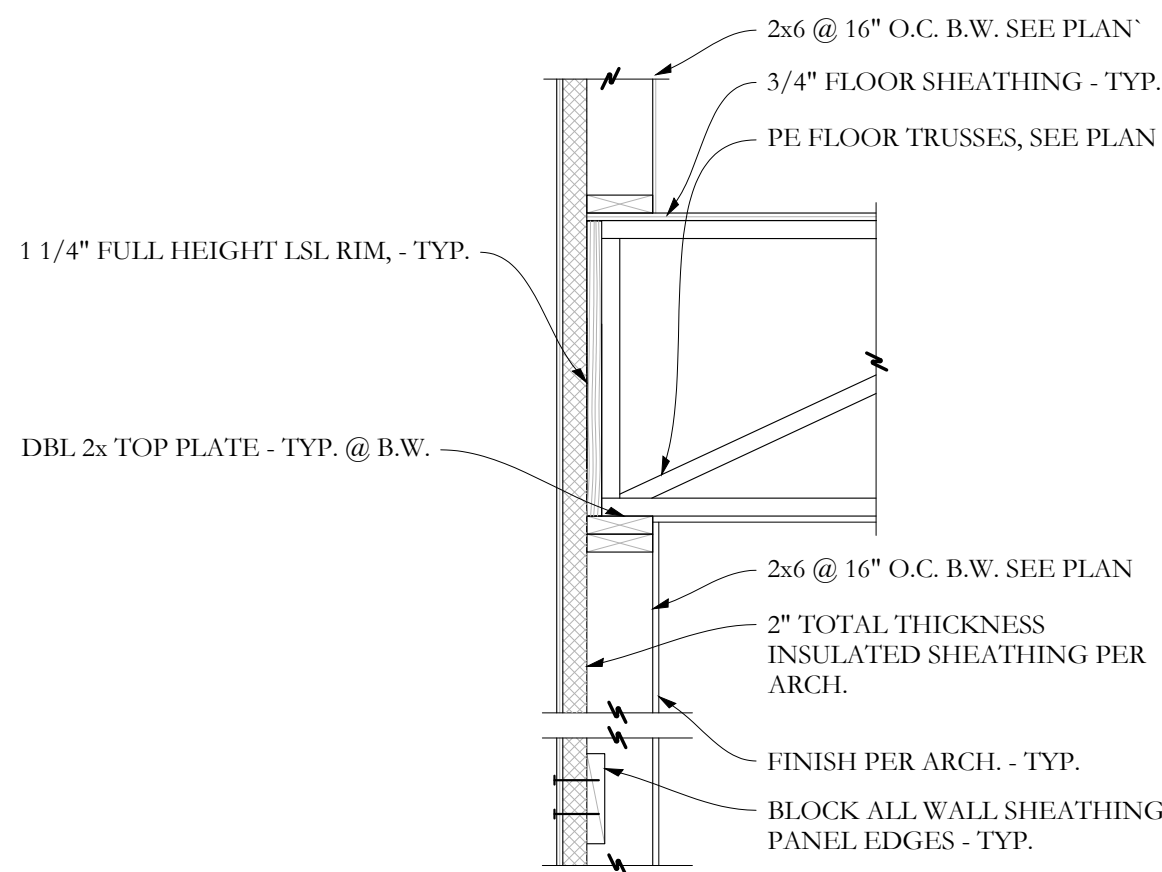
SECTION **J** 3/4"=1'-0" S2.1



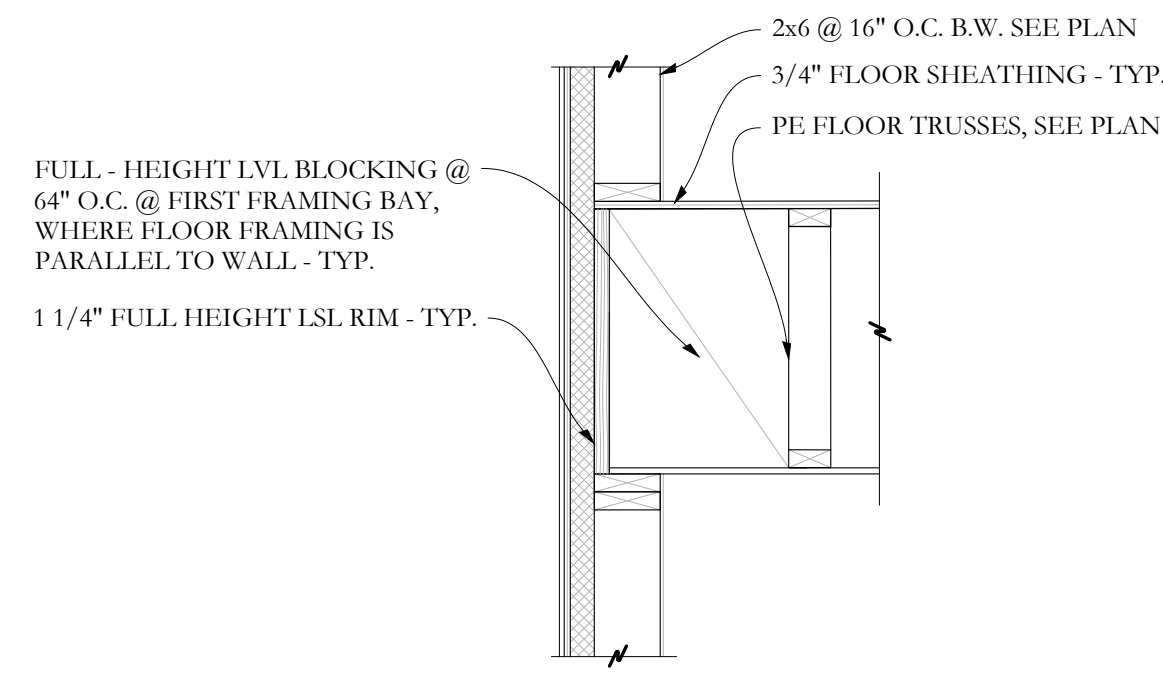
SECTION **K** 3/4"=1'-0" S2.1



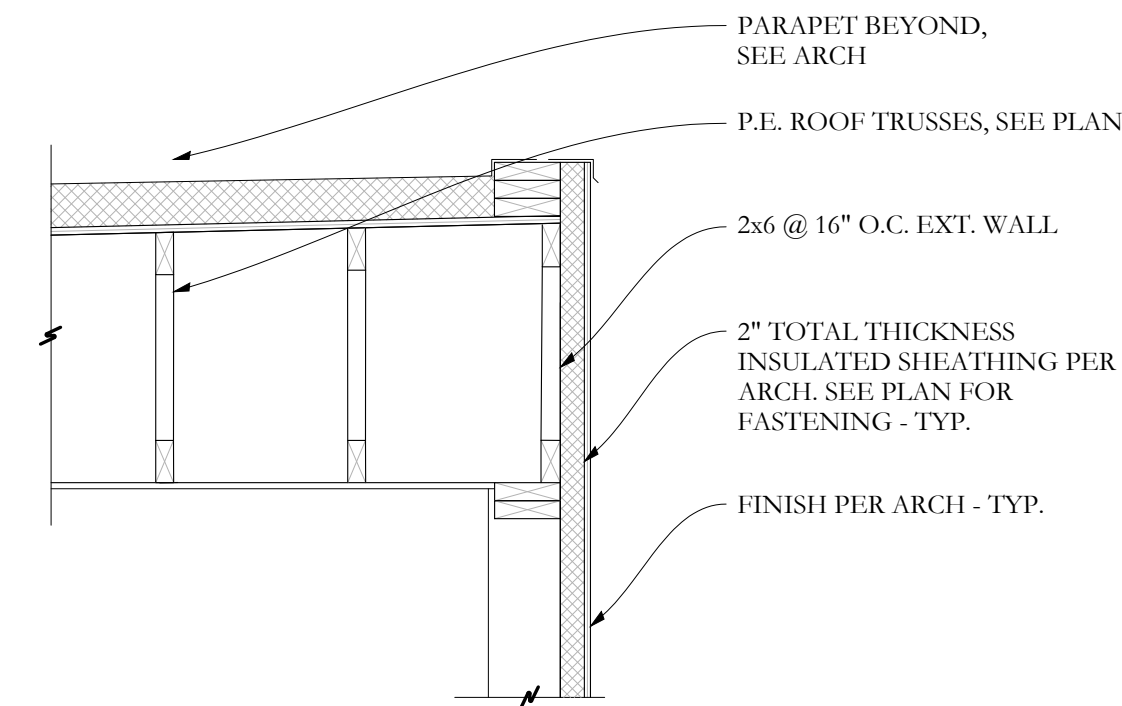
SECTION **L** 3/4"=1'-0" S2.1



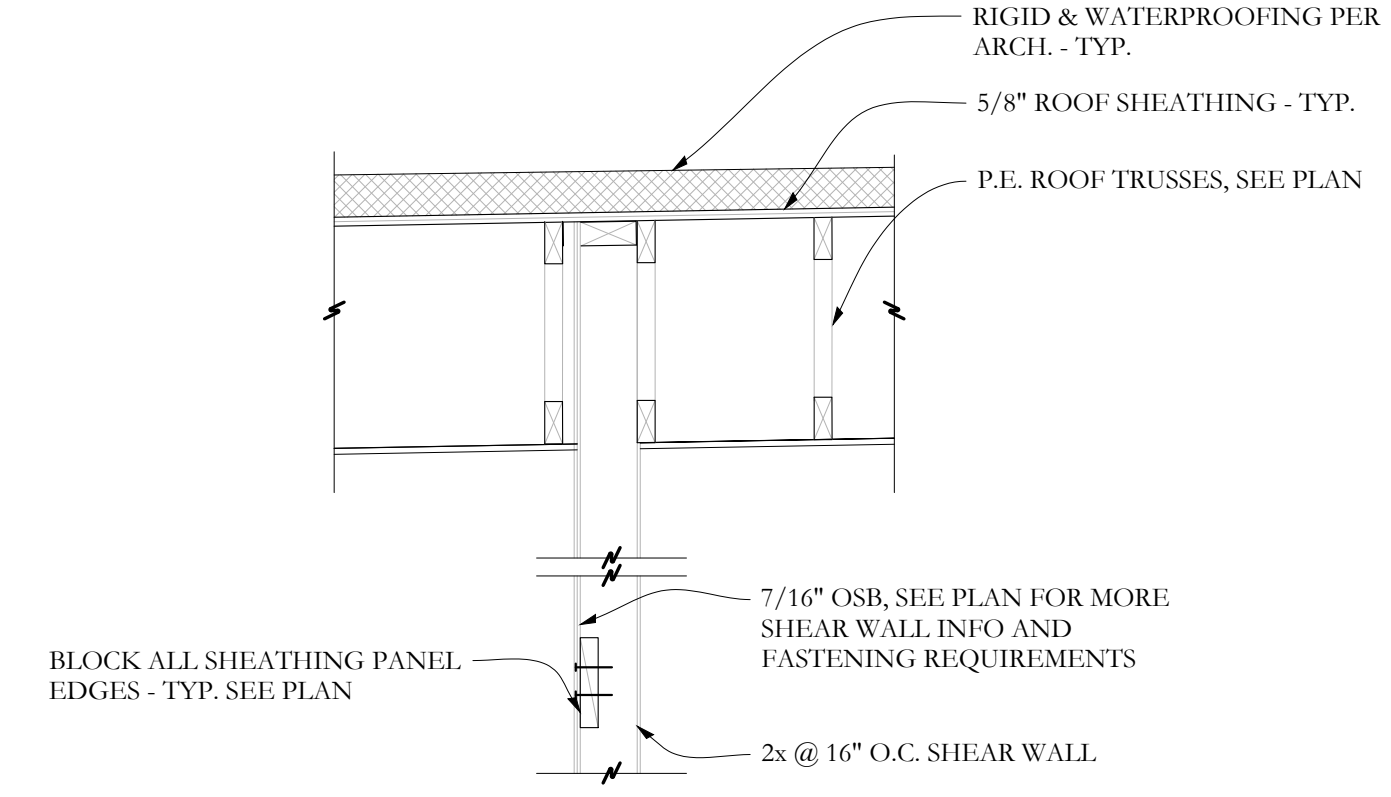
SECTION **D** 3/4"=1'-0" S2.1



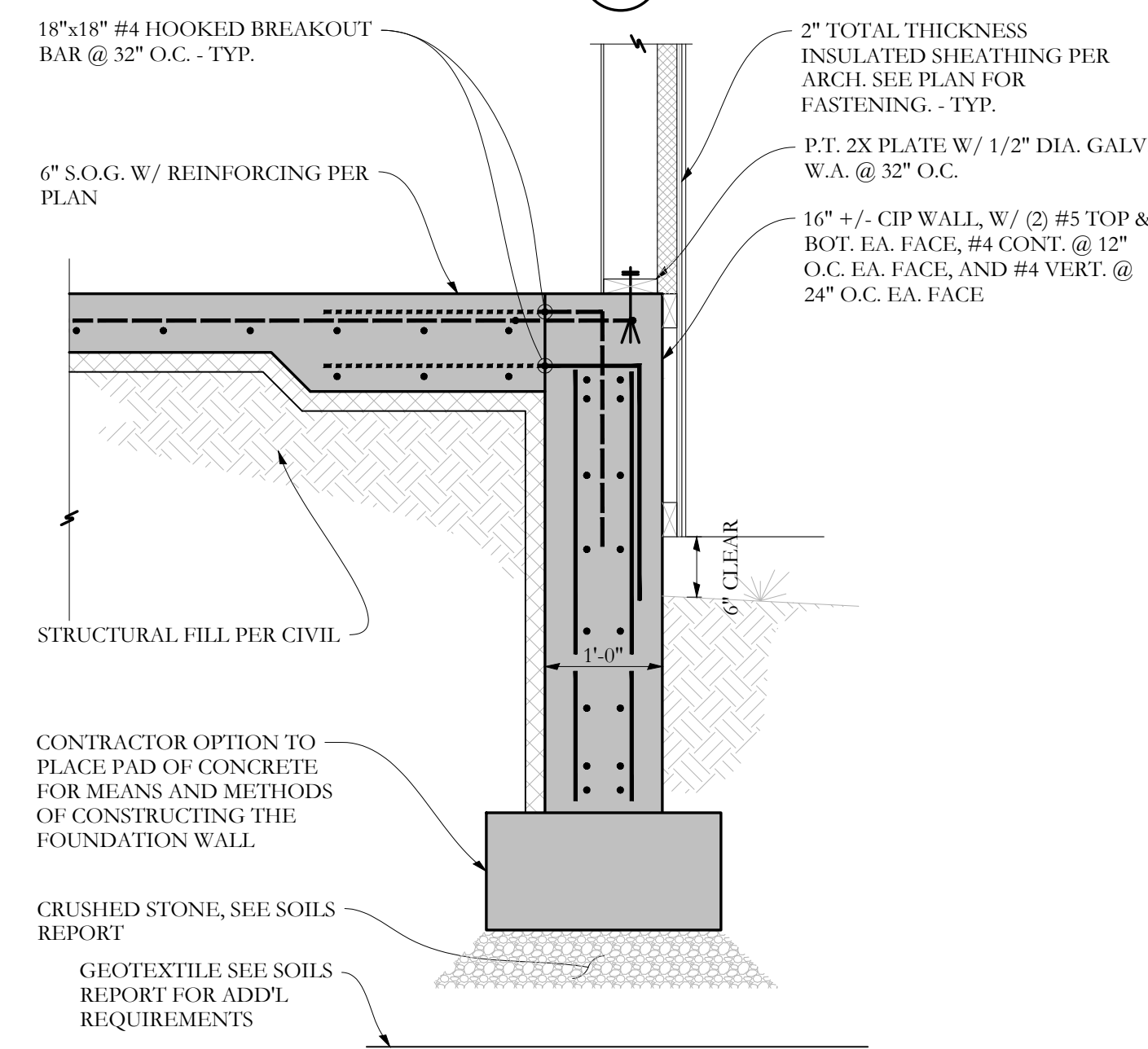
SECTION **E** 3/4"=1'-0" S2.1



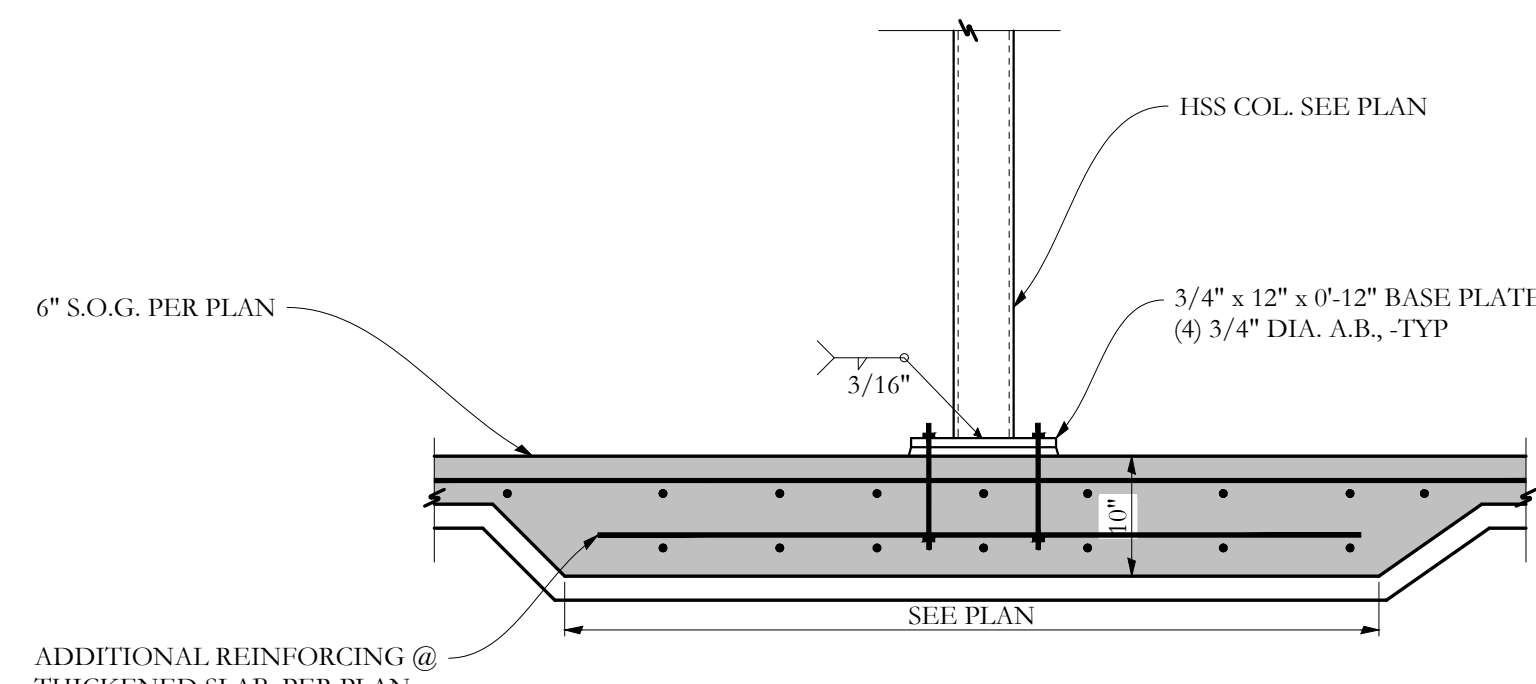
SECTION **F** 3/4"=1'-0" S2.1



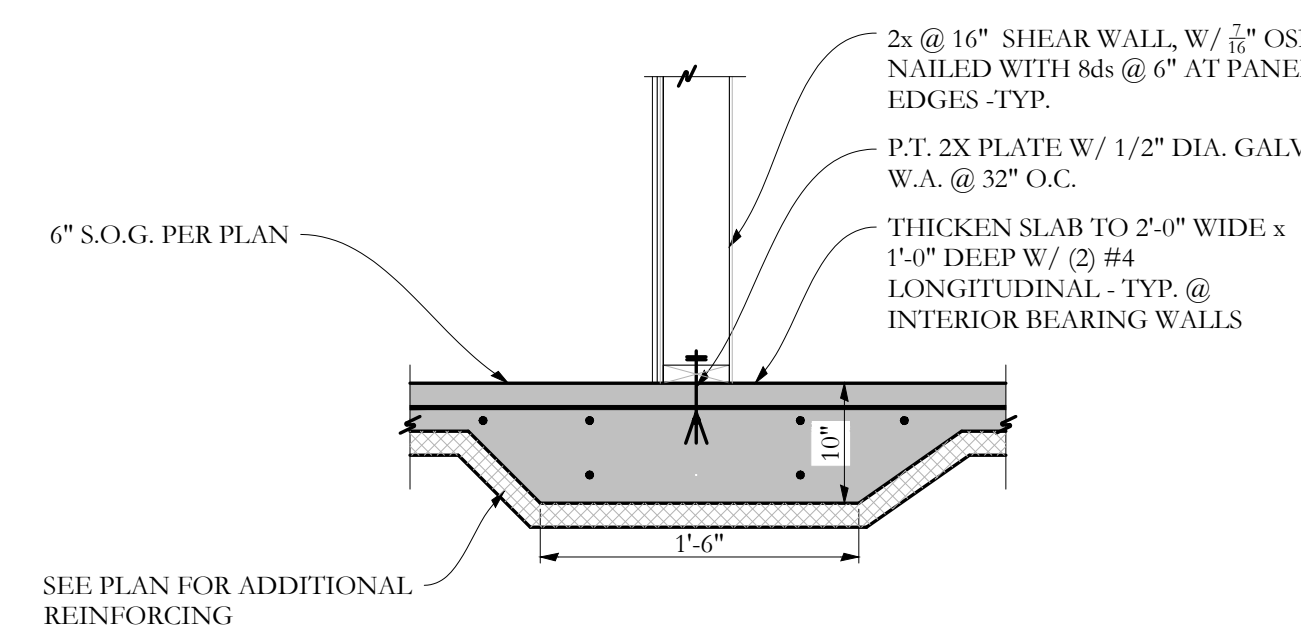
SECTION **G** 3/4"=1'-0" S2.1



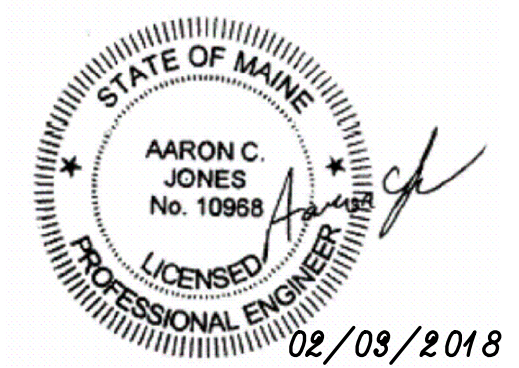
SECTION **A** 3/4"=1'-0" S2.1



SECTION **B** 3/4"=1'-0" S2.1



SECTION **C** 3/4"=1'-0" S2.1



**Structural Integrity**  
Consulting Engineers, Inc.  
46 Forest Ave  
Portland, ME, 04101  
p. 207-774-6644  
f. 866-793-7835  
www.structuralintegrity.com  
BUILD WITH CONFIDENCE  
© 2013 Structural Integrity Consulting Engineers, Inc.  
SI # 17-0127

REVISIONS	1	2	3	4	5