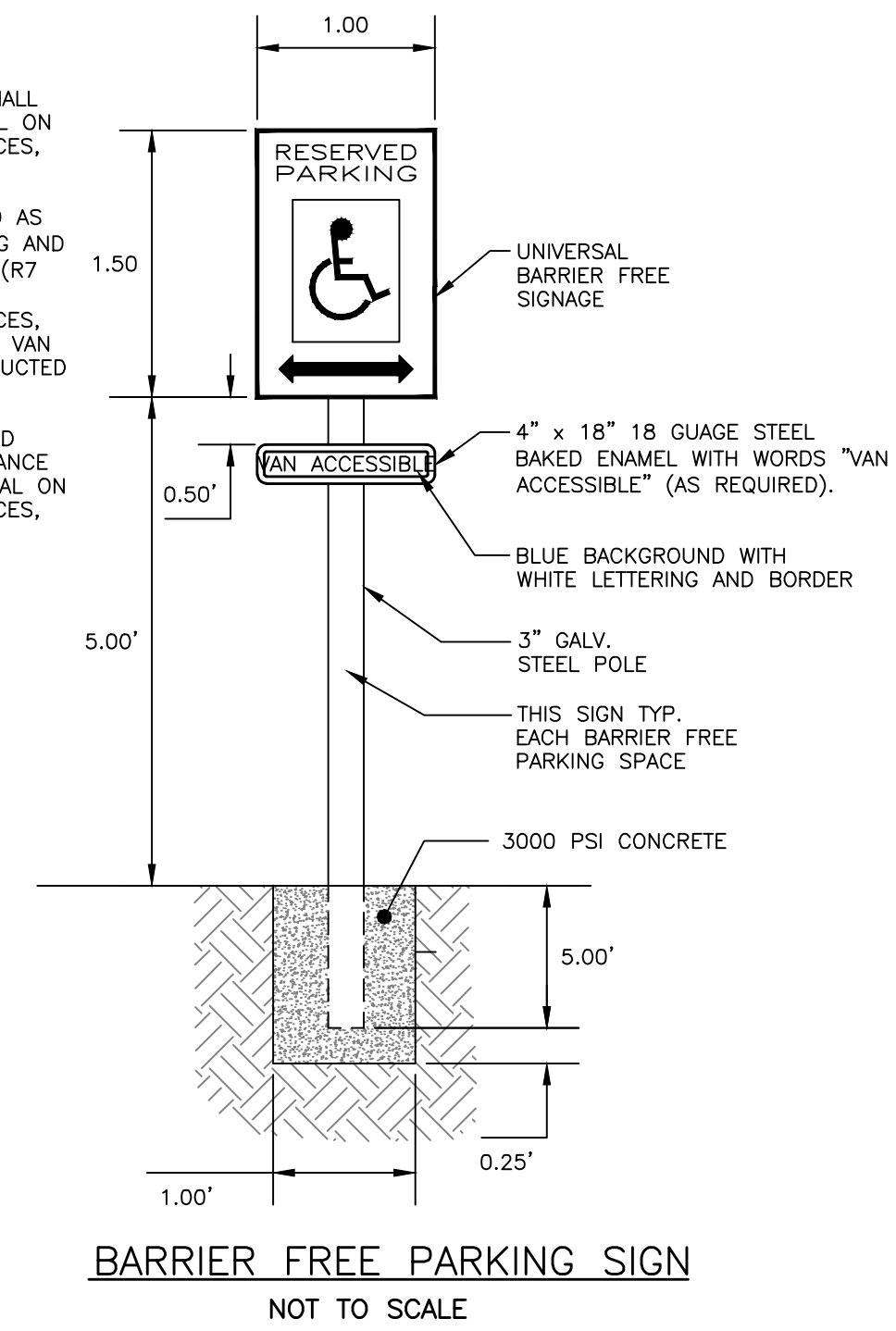


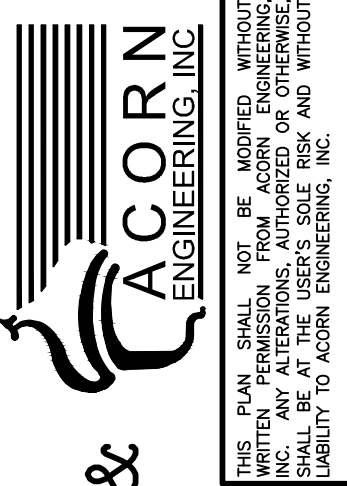
NOTES:
1. ALL ASPECTS OF RESERVED PARKING SIGN CONSTRUCTION SHALL BE IN ACCORDANCE WITH MANUAL ON UNIFORM TRAFFIC CONTROL DEVICES, 2009 OR MOST RECENT EDITION
2. SIGN SHALL BE CONSTRUCTED AS SIGN R7-8 UNDER THE "PARKING AND STANDING SIGNS AND PLAQUES" (R7 SERIES) WITHIN THE MANUAL ON UNIFORM TRAFFIC CONTROL DEVICES, 2009 OR MOST RECENT EDITION. VAN ACCESSIBILITY SHALL BE CONSTRUCTED AS SIGN R7-8a OR R7-8b.
3. SIGN POST CONSTRUCTION AND MOUNTING SHALL BE IN ACCORDANCE WITH CHAPTER 2A OF THE MANUAL ON UNIFORM TRAFFIC CONTROL DEVICES, 2009 OR MOST RECENT EDITION.



ISSUED FOR CONSTRUCTION

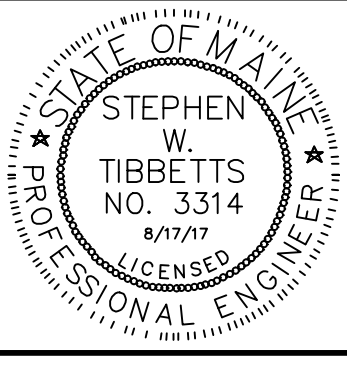
ISSUED FOR	BY
PRELIM APP.	SWT
CITY REPONSE	SWT
	8/17/17

DRAWING NAME: SITE DETAILS - 2
PROJECT NAME: 50 COVE STREET SITE REDEVELOPMENT
CLIENT: RANDOM ORBIT, LLC.
30 DANFORTH STREET, SUITE 213 PORTLAND, ME 04101



STEPHEN W. TIBBETTS, P.E.
Consulting Civil Engineer
15 Oak Ridge Rd Brunswick, Maine 04011
(207) 725-2667 stibbettspe@gmail.com

FILE: 1083_CIVIL
JN: 1083
SCALE: NTS
DESIGNED BY: WHS
DRAWN BY: SJL
CHECKED BY: SWT



DRAWING NO.
C-31