

COPYRIGHT: Reuse or reproduction of the contents of this document is not permitted without written permission of Bild Architecture LLC

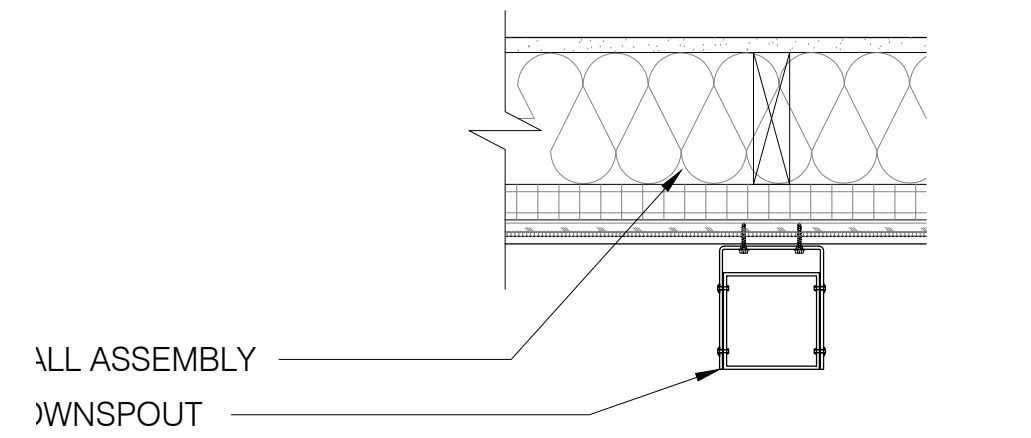
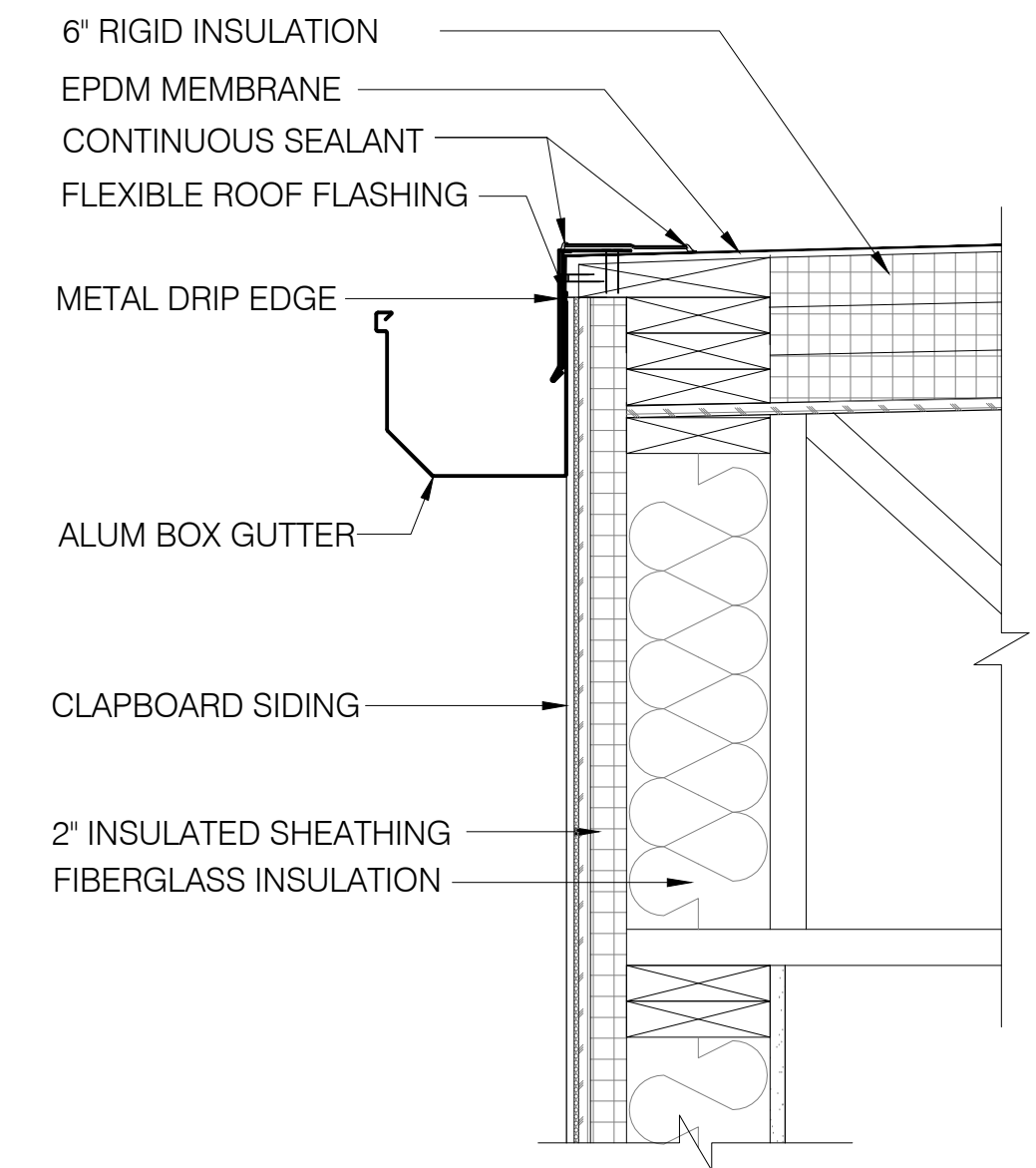
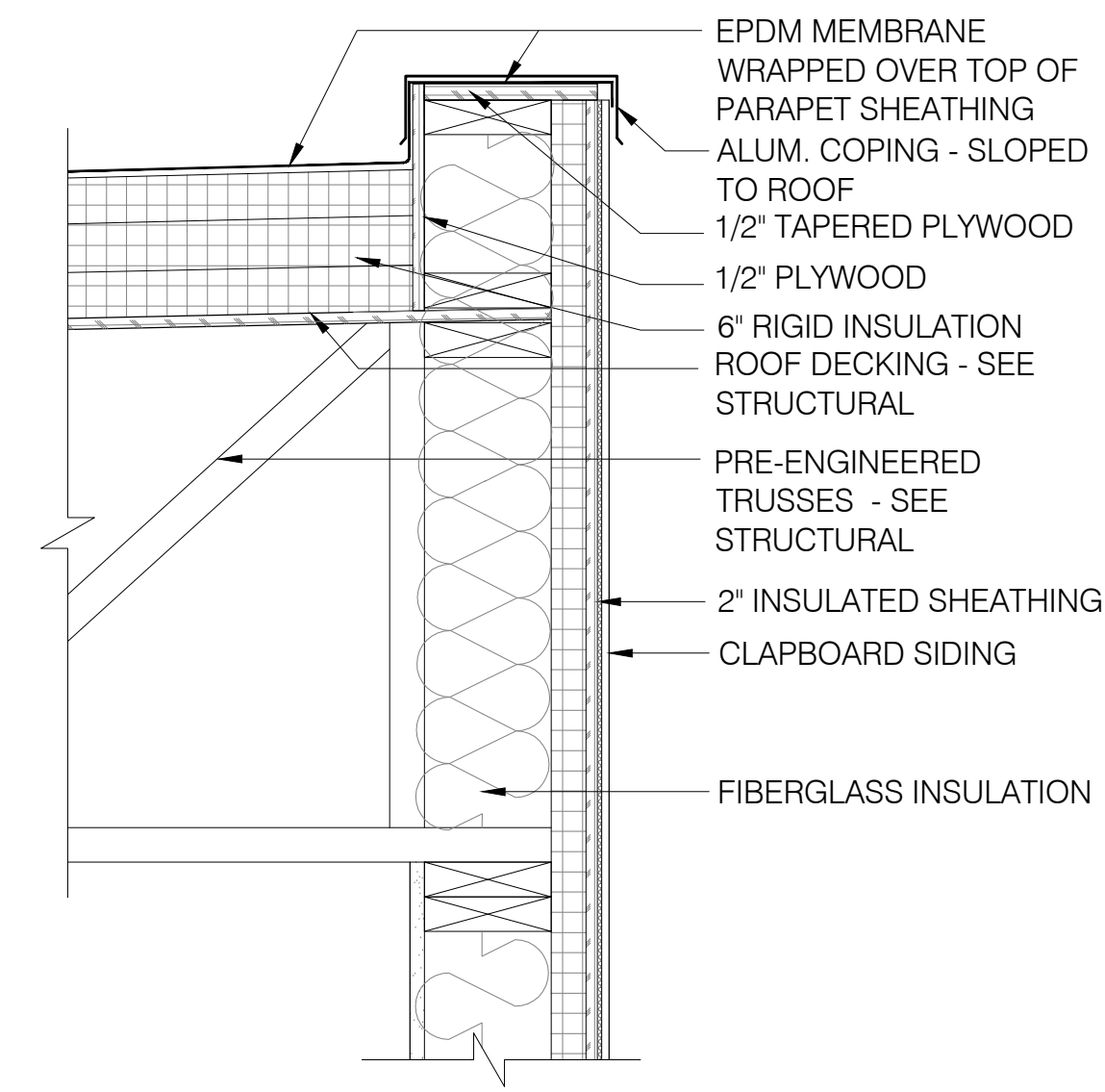
1 B. WALL DETAIL
SCALE: 1-1/2" = 1'-0"

2 VERTICAL SIDING JOINT
SCALE: 1-1/2" = 1'-0"

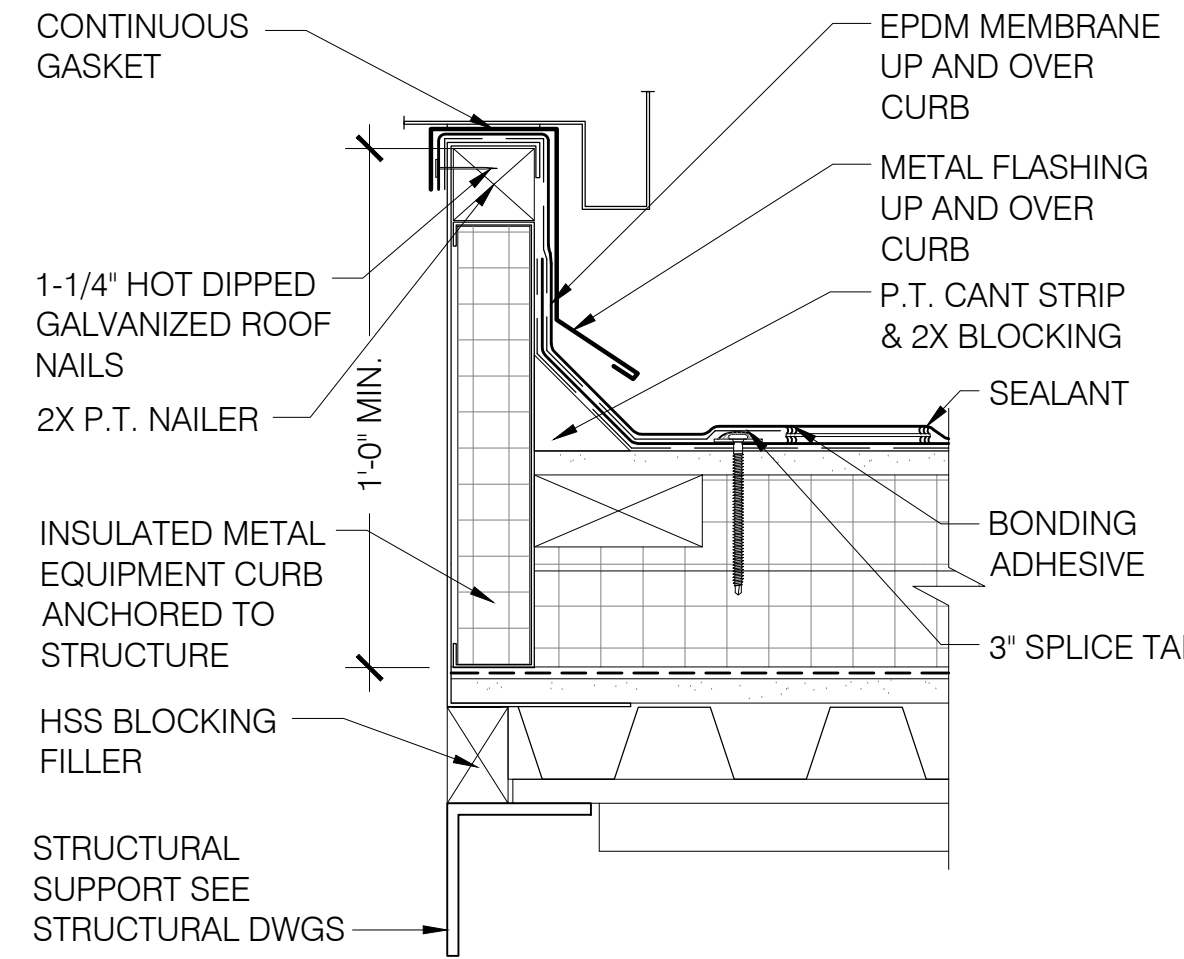
3 HORIZONTAL SIDING JOINT
SCALE: 1-1/2" = 1'-0"

4 PARAPET DETAIL
SCALE: 1 1/2" = 1'-0"

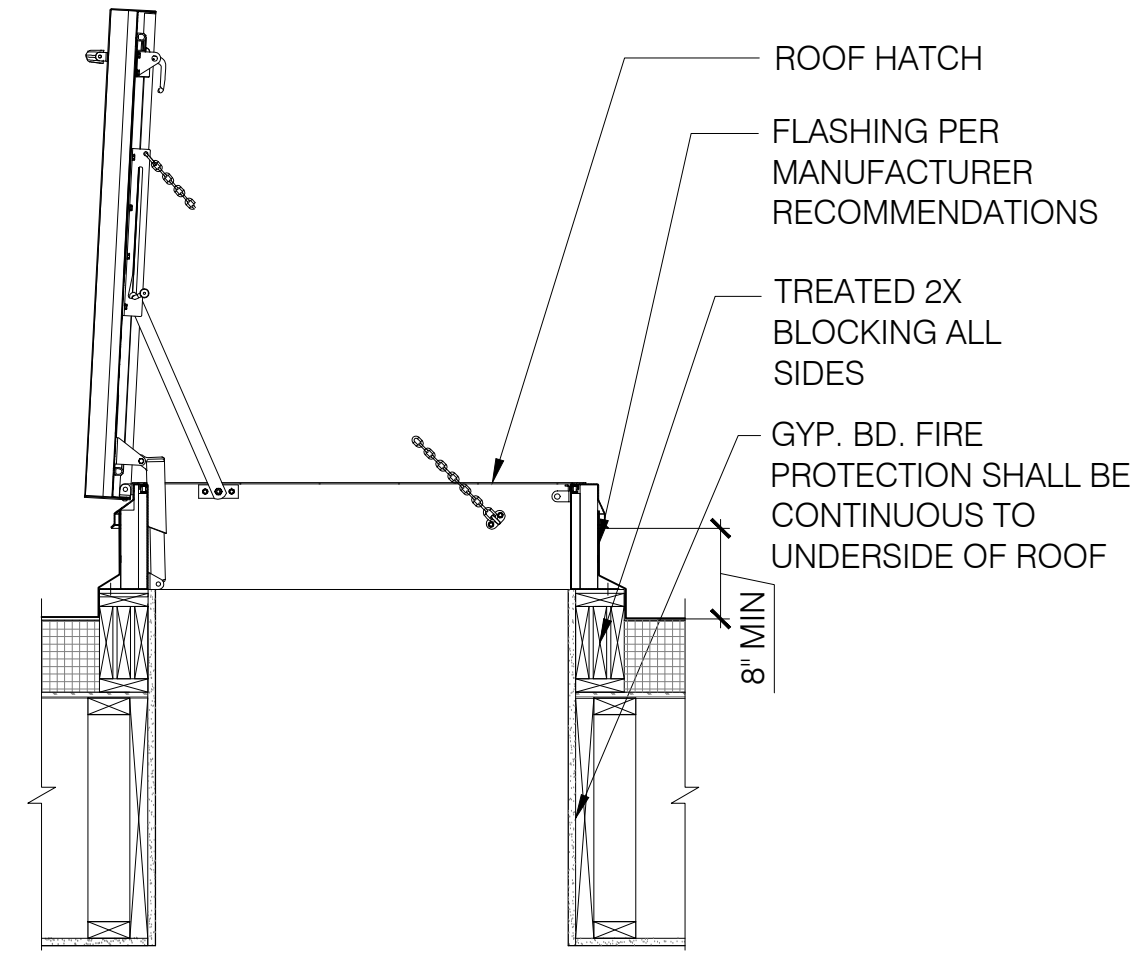
5 GUTTER DETAIL
SCALE: 1-1/2" = 1'-0"



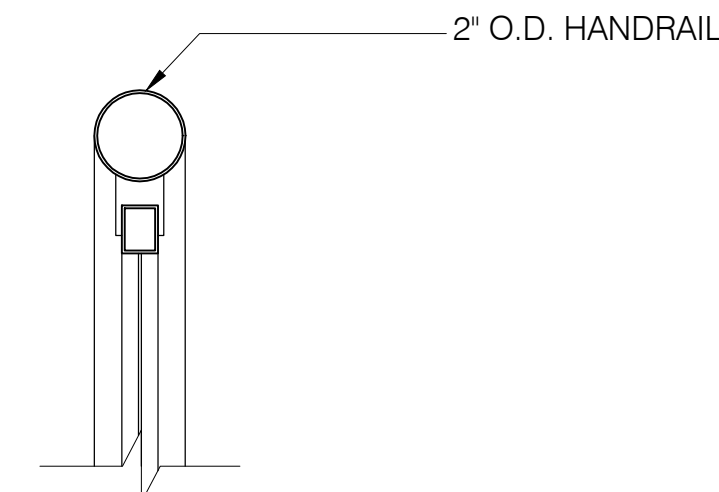
6 DOWNSPOUT DETAIL
SCALE: 1-1/2" = 1'-0"



7 EQUIPMENT CURB DETAIL
SCALE: 3" = 1'-0"

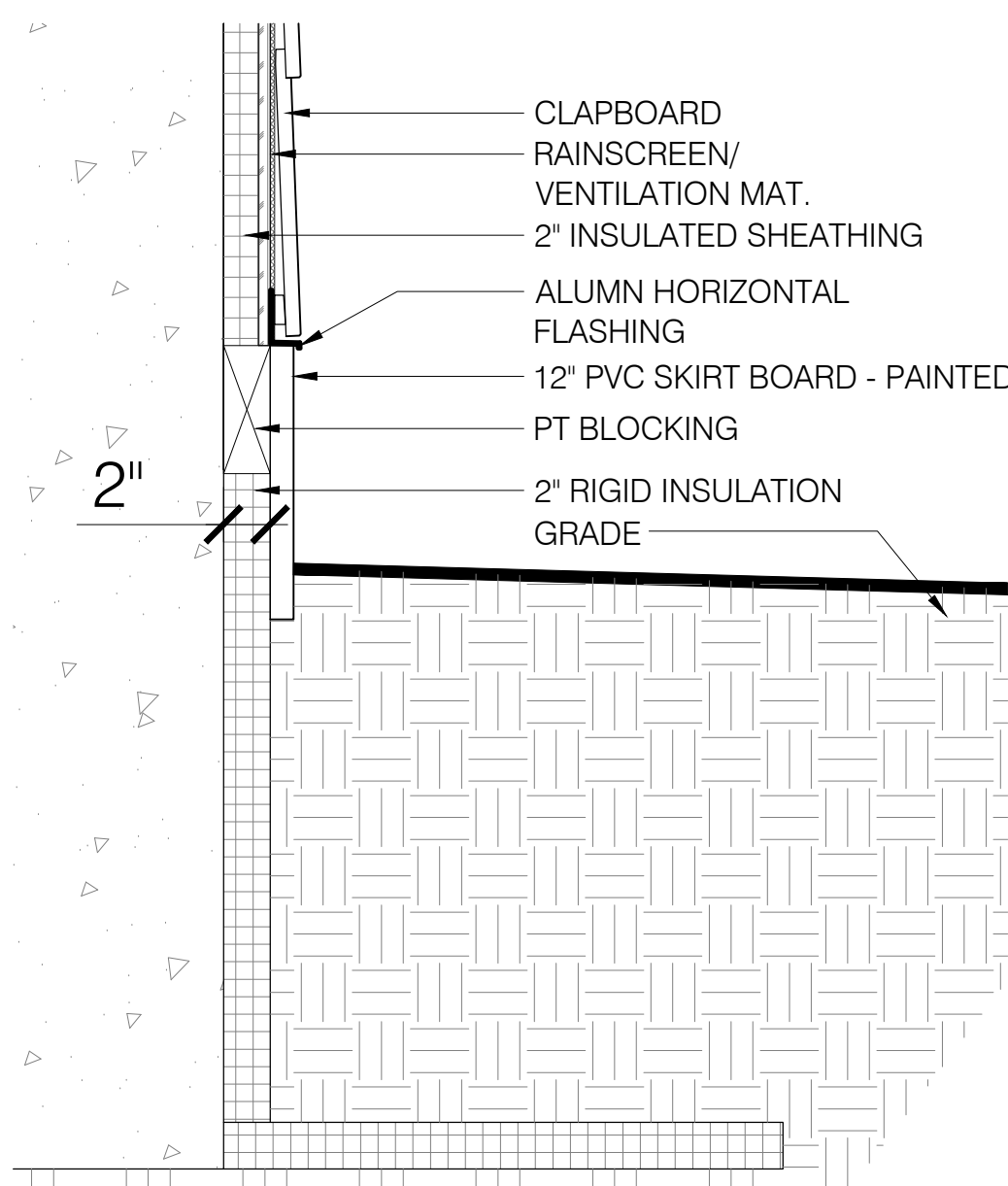


8 ROOF HATCH DETAIL
SCALE: 3/4" = 1'-0"



9 EXTERIOR RAILING DETAIL
SCALE: 3" = 1'-0"

10 NOT USED
SCALE: 3" = 1'-0"



11 BASE OF WALL DETAIL
SCALE: 3/4" = 1'-0"

Bild Architecture
PO Box 8235
Portland, ME
04104
207.408.0168
evan@bildarchitecture.com



PROJECT NO. **16040**
PROJECT NAME **MIXED-USE SHELL**
50 COVE STREET, PORTLAND ME - 04101

REVISIONS

1	-
2	-
3	-
4	-
5	-

PERMITTING DRAWINGS
DRAWN BY **EMW**
SHEET TITLE **DETAILS**

ISSUE DATE **2/2/18**
SHEET SCALE **N.T.S.**