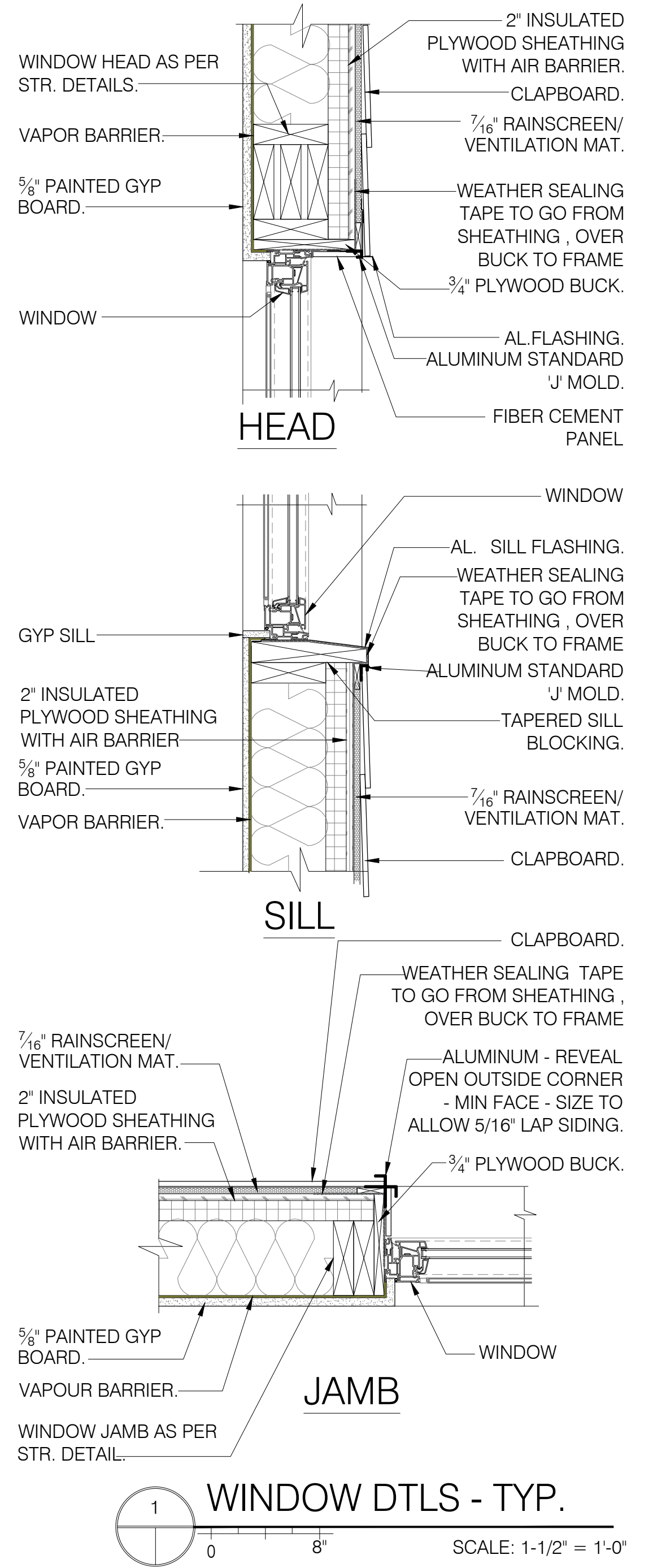
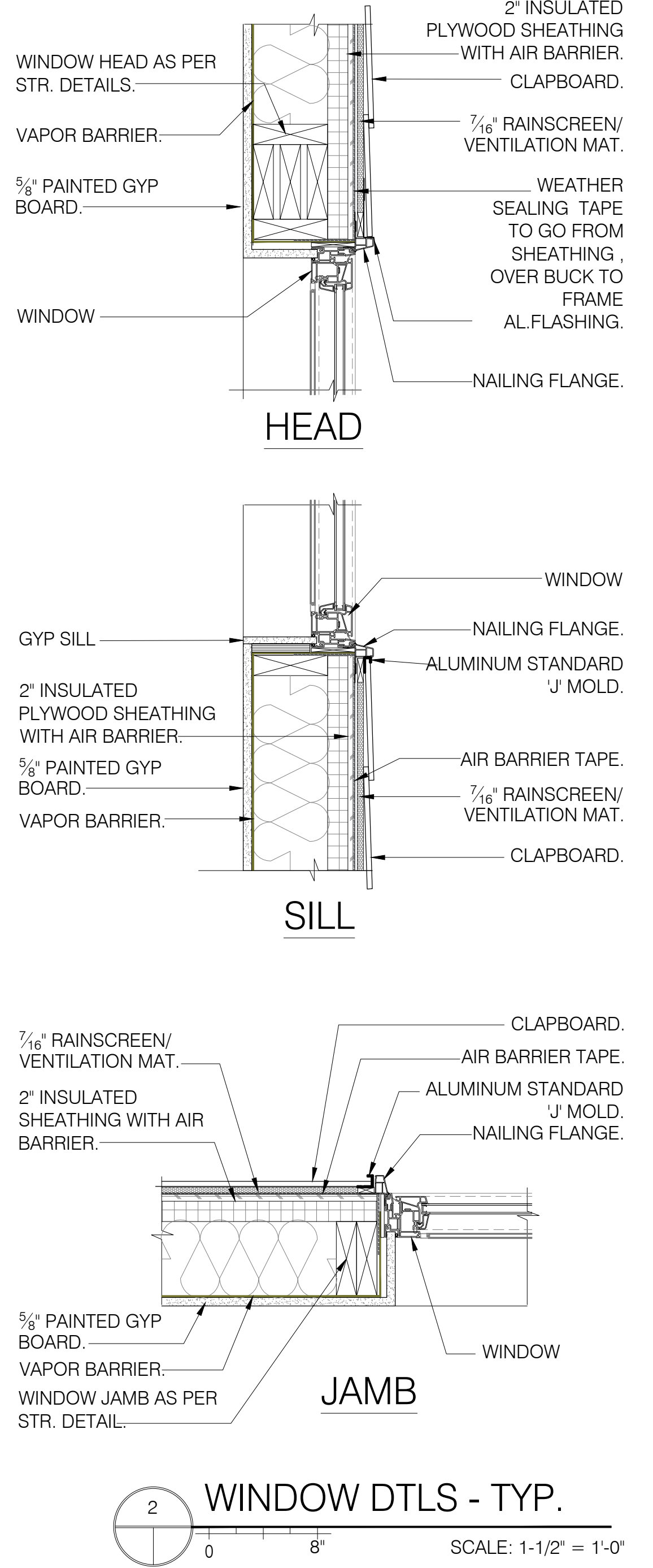


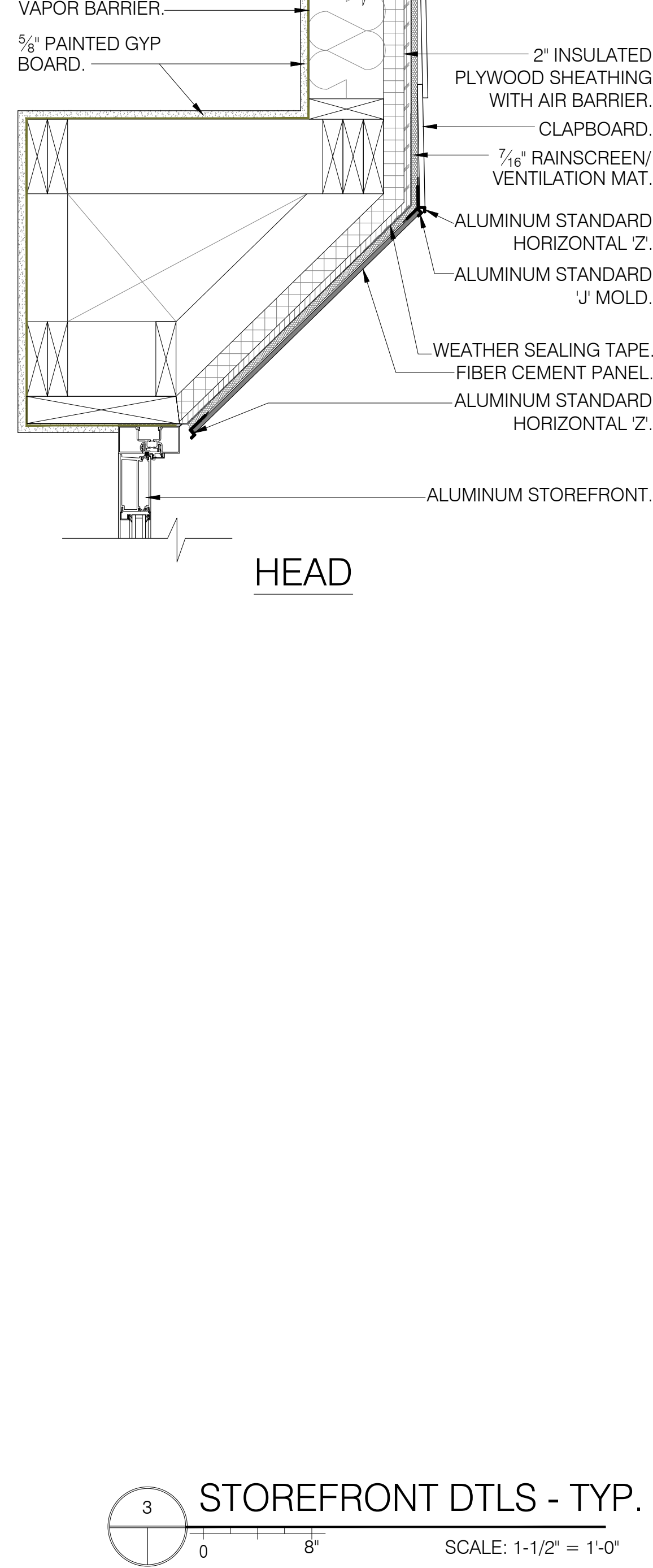
COPYRIGHT: Reuse or reproduction of the contents of this document is not permitted without written permission of Bild Architecture LLC



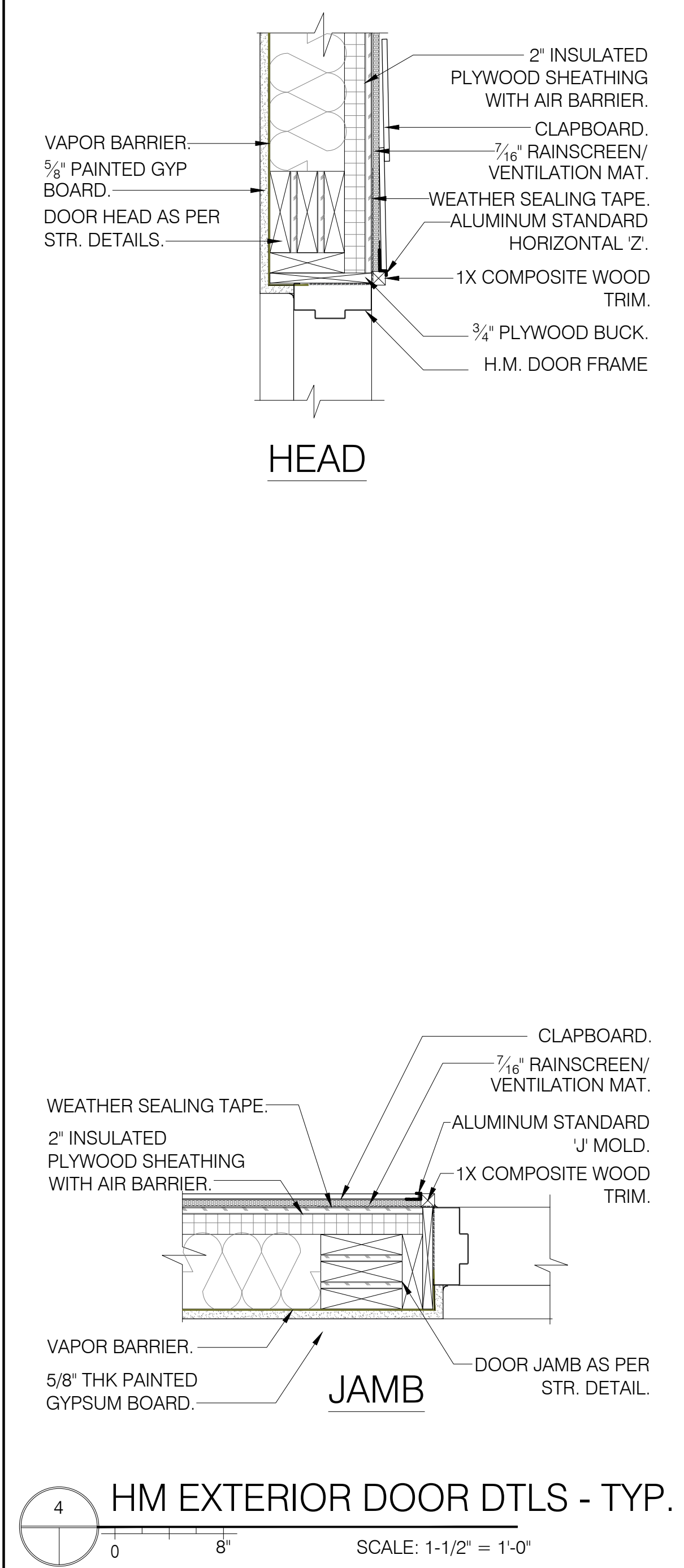
1 WINDOW DTLS - TYP. SCALE: 1-1/2" = 1'-0"



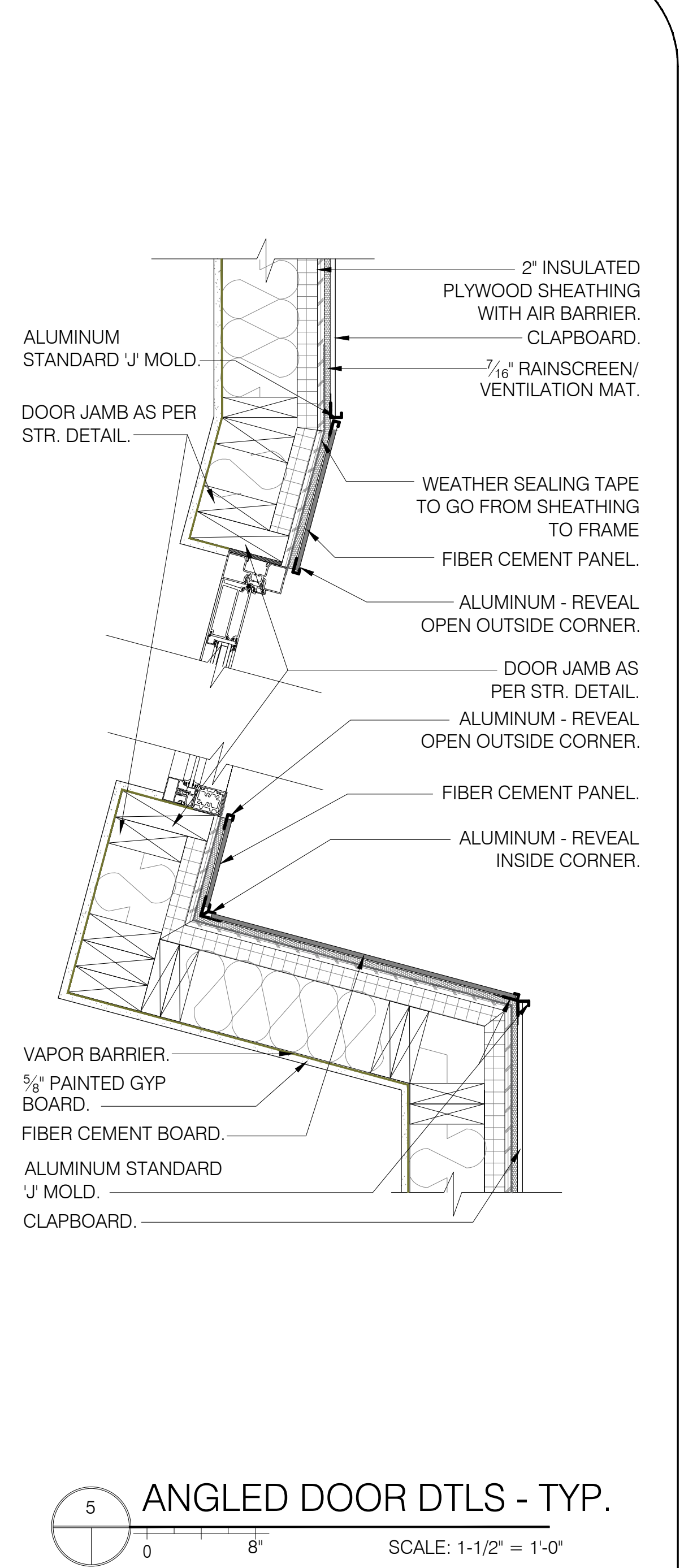
2 WINDOW DTLS - TYP. SCALE: 1-1/2" = 1'-0"



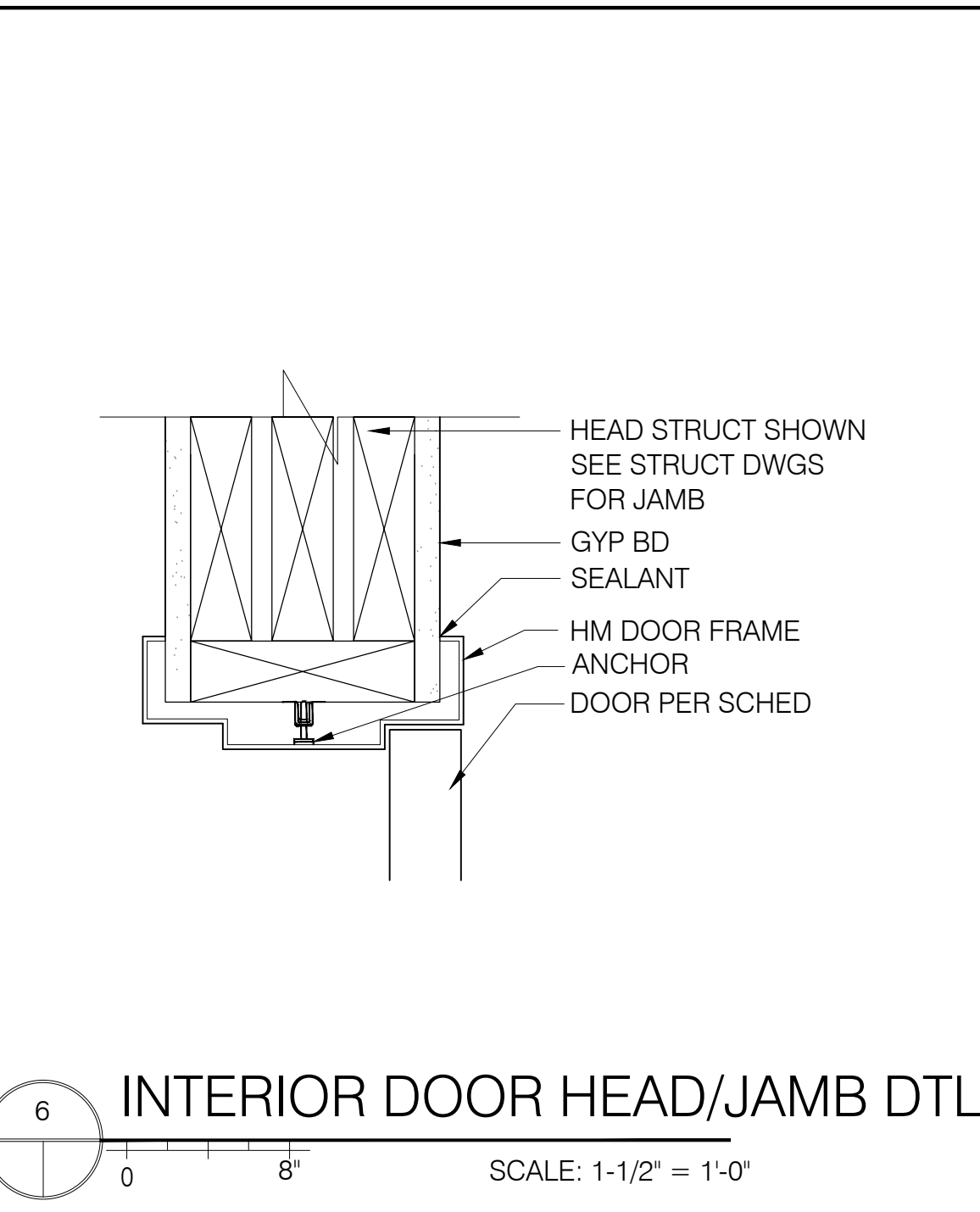
3 STOREFRONT DTLS - TYP. SCALE: 1-1/2" = 1'-0"



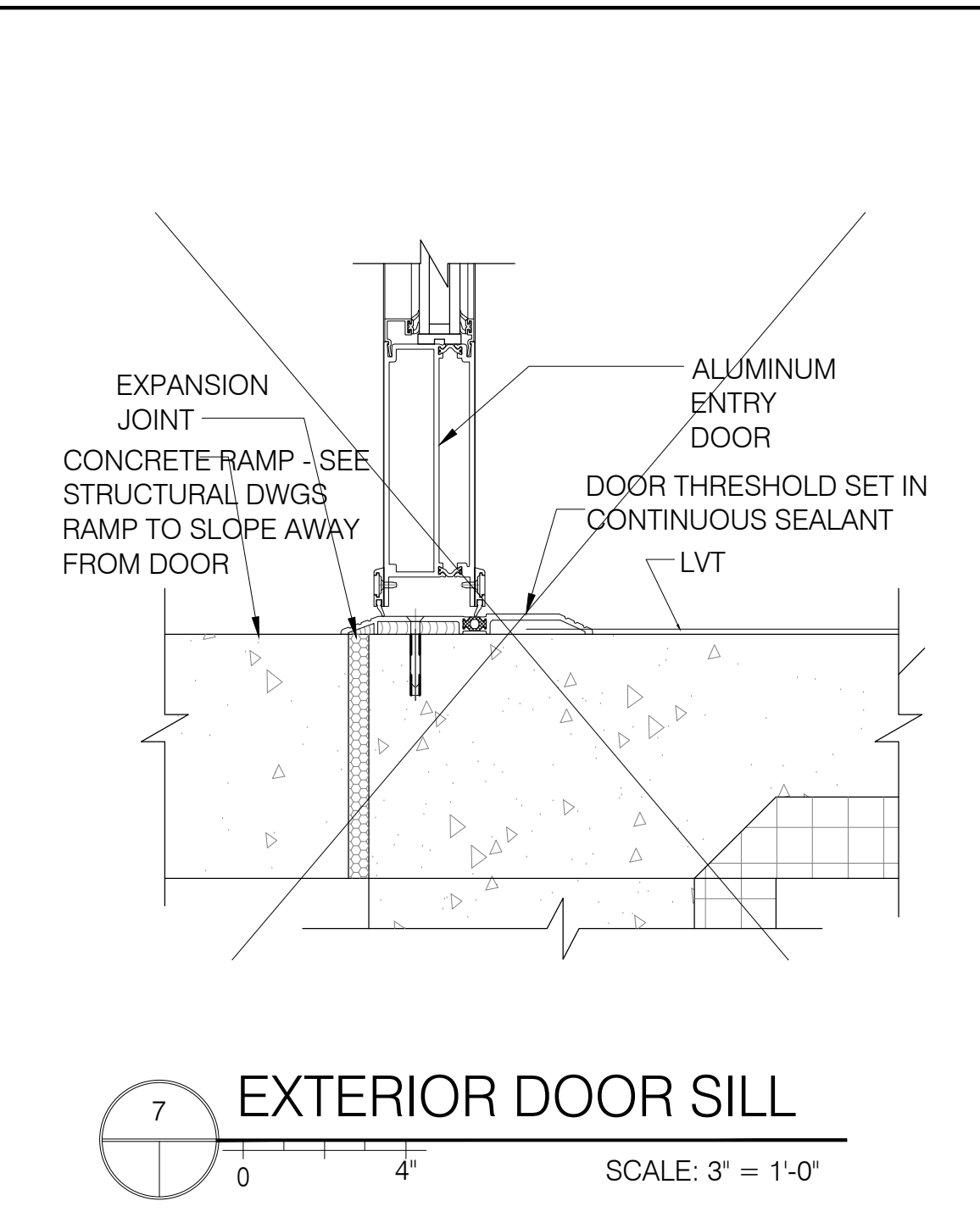
4 HM EXTERIOR DOOR DTLS - TYP. SCALE: 1-1/2" = 1'-0"



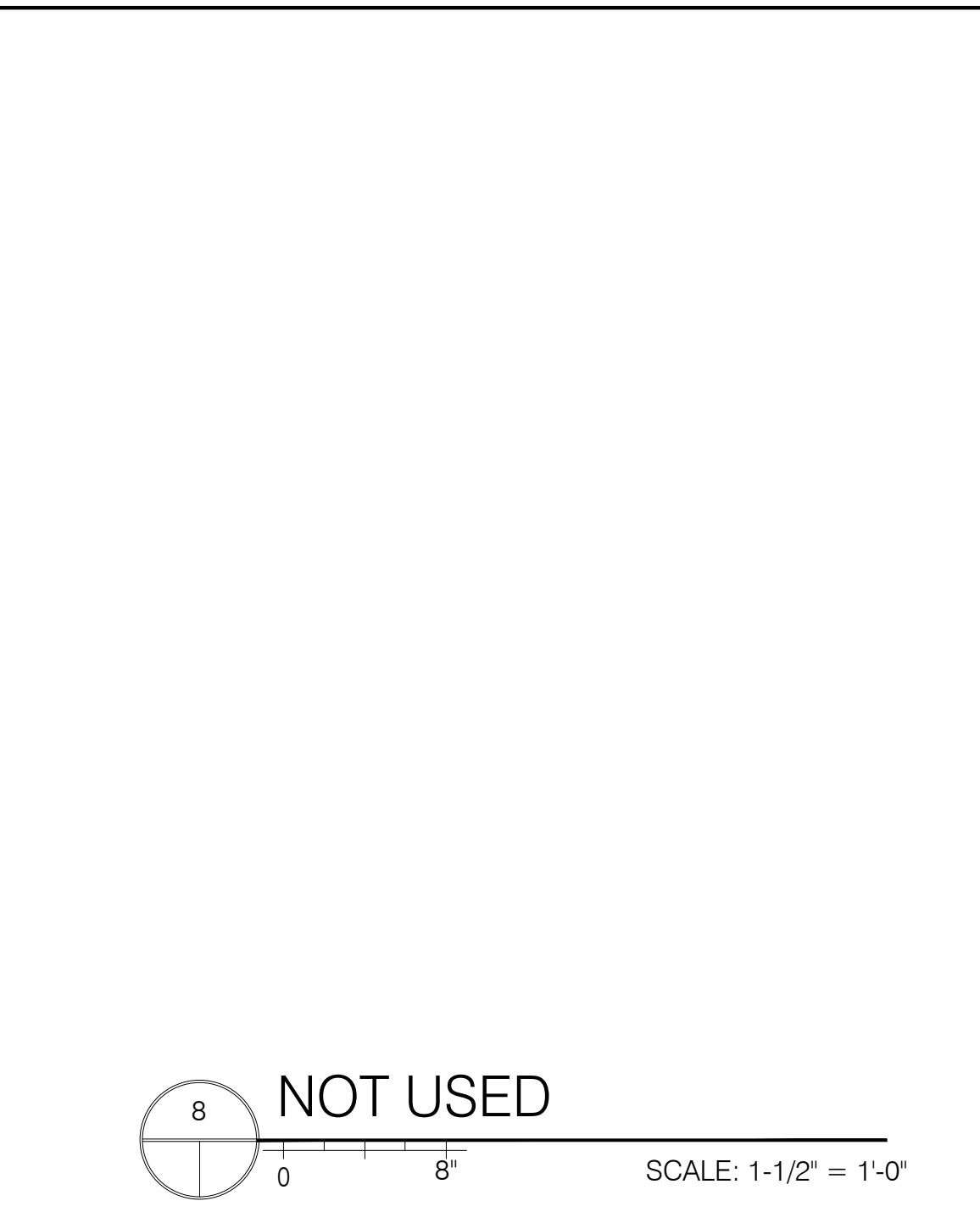
5 ANGLED DOOR DTLS - TYP. SCALE: 1-1/2" = 1'-0"



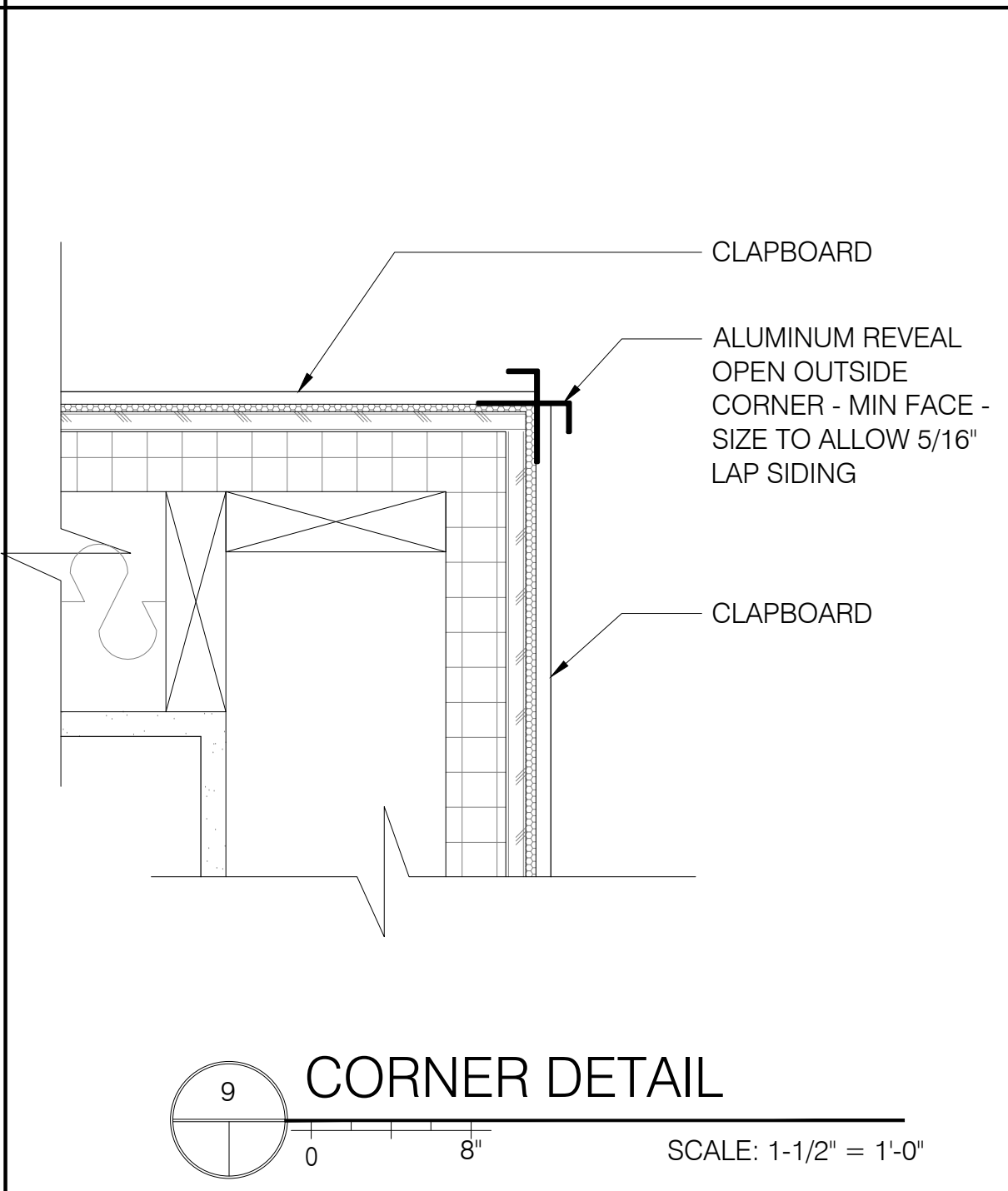
6 INTERIOR DOOR HEAD/JAMB DTL SCALE: 1-1/2" = 1'-0"



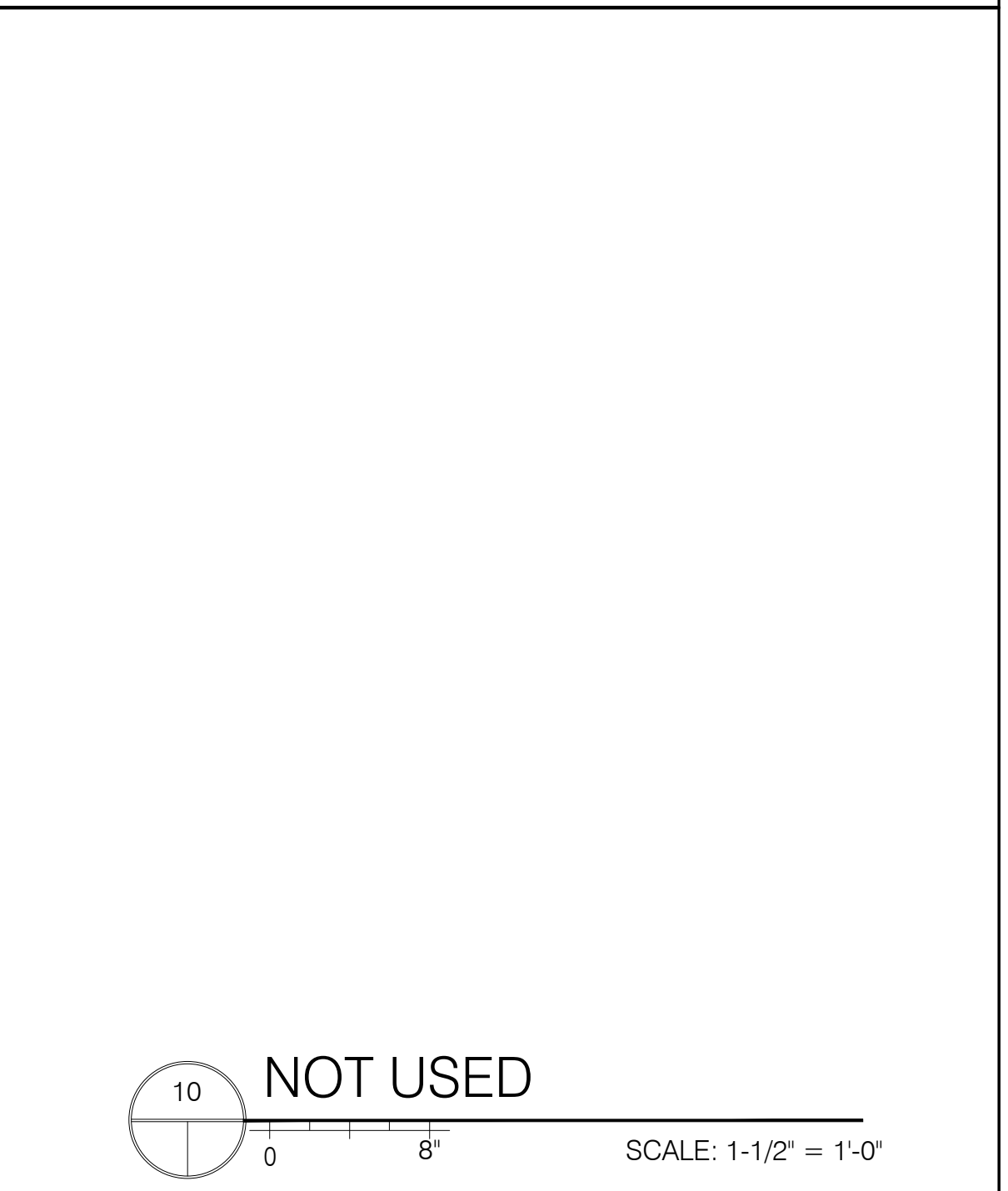
7 EXTERIOR DOOR SILL SCALE: 3" = 1'-0"



8 NOT USED SCALE: 1-1/2" = 1'-0"



9 CORNER DETAIL SCALE: 1-1/2" = 1'-0"



10 NOT USED SCALE: 1-1/2" = 1'-0"

Bild Architecture
 PO Box 8235
 Portland, ME
 04104
 207.408.0168
 evan@bildarchitecture.com

PROJECT NO. 16040
PROJECT NAME MIXED-USE SHELL
50 COVE STREET, PORTLAND ME - 04101

PERMITTING DRAWINGS
 REVISIONS
 1
 2
 3
 4
 5

DRAWN BY **EMW**
 SHEET TITLE **DOOR & WINDOW DETAILS**

ISSUE DATE **2/2/18**
 SHEET SCALE **AS NOTED**

A
5.0