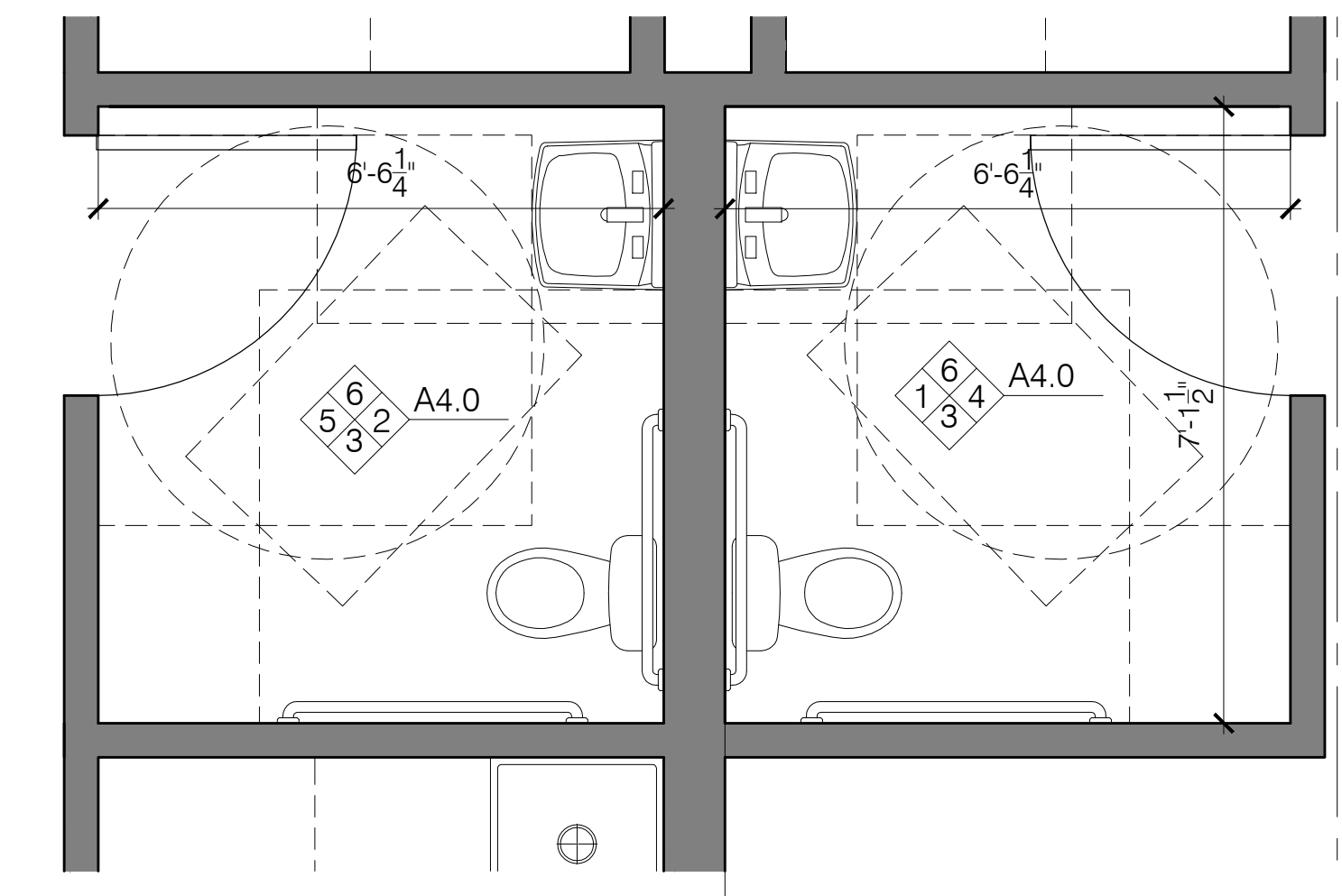
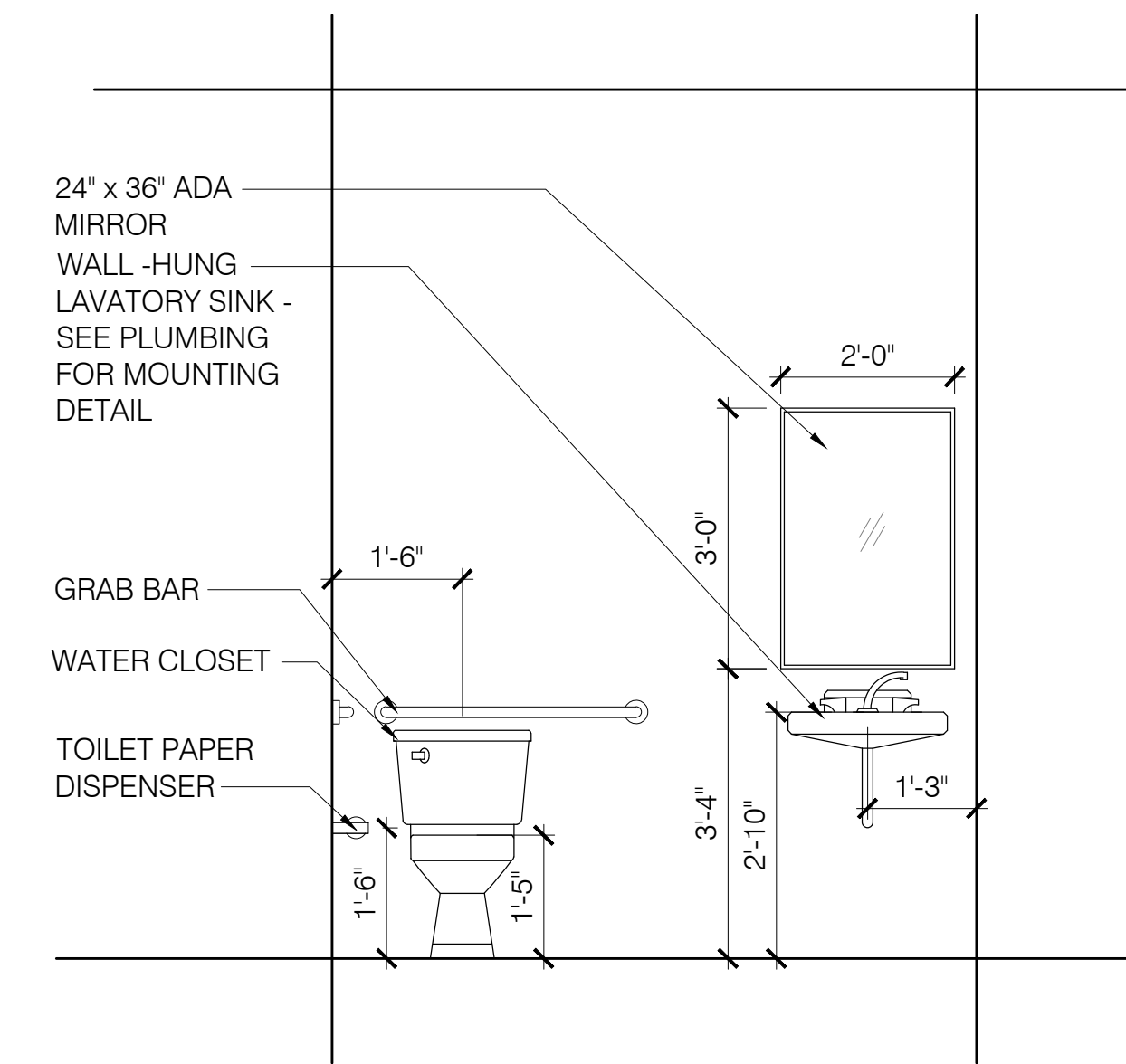


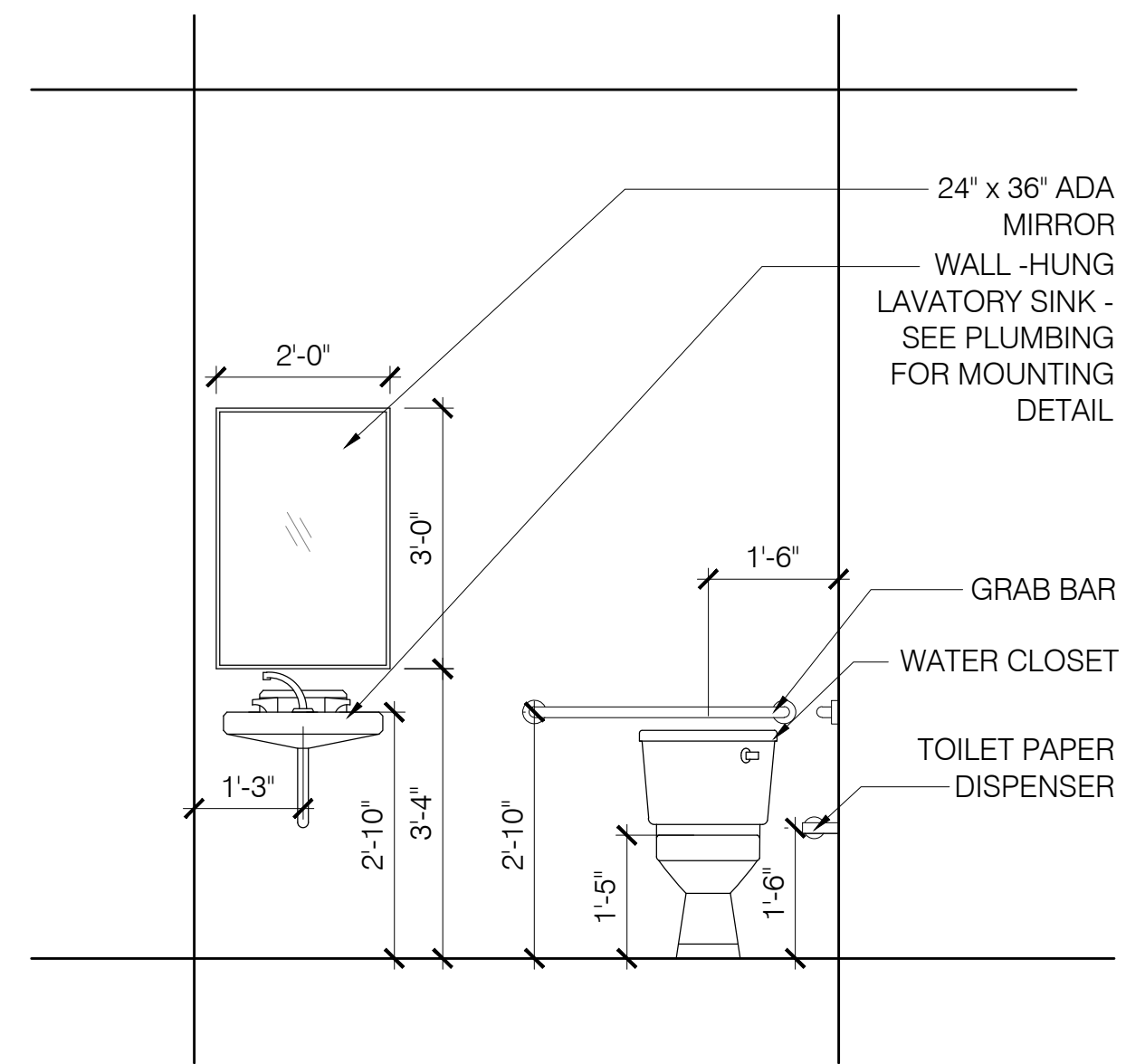
FIRST FLOOR TOILET PLAN  
SCALE: 1/2" = 1'-0"



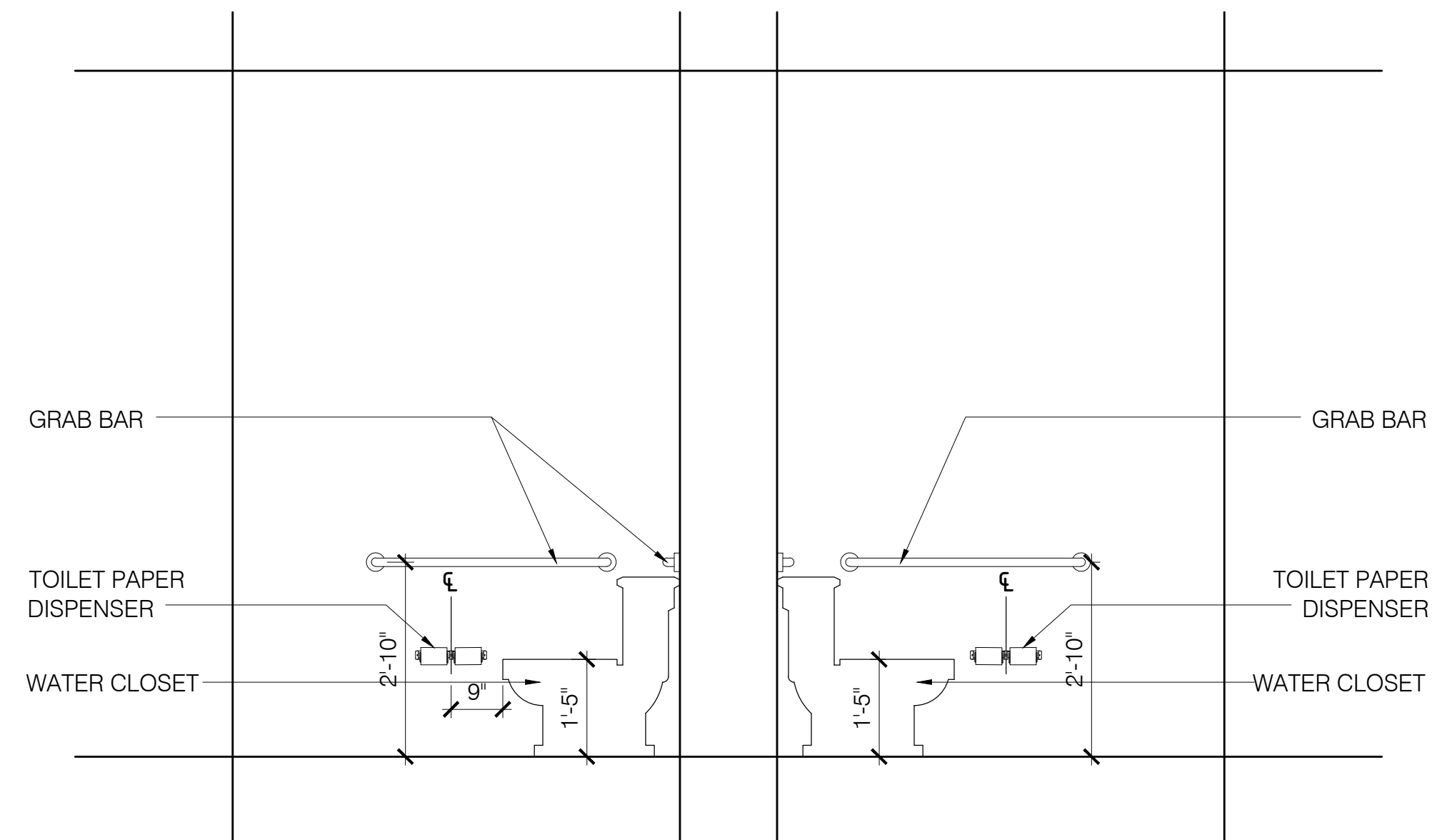
SECOND FLOOR TOILET PLAN  
SCALE: 1/2" = 1'-0"



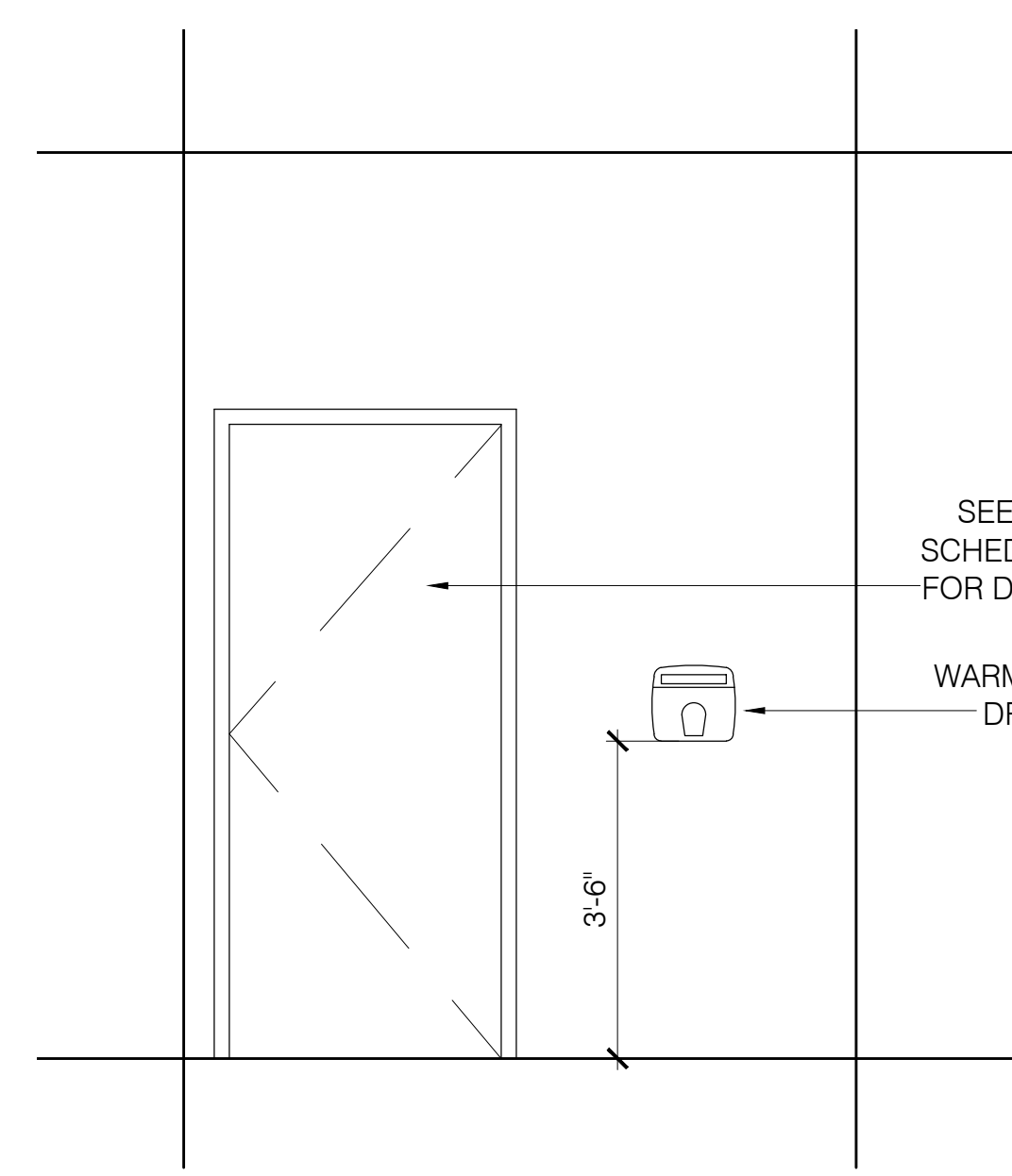
1 ADA RESTROOM INT ELEV  
SCALE: 1/2" = 1'-0"



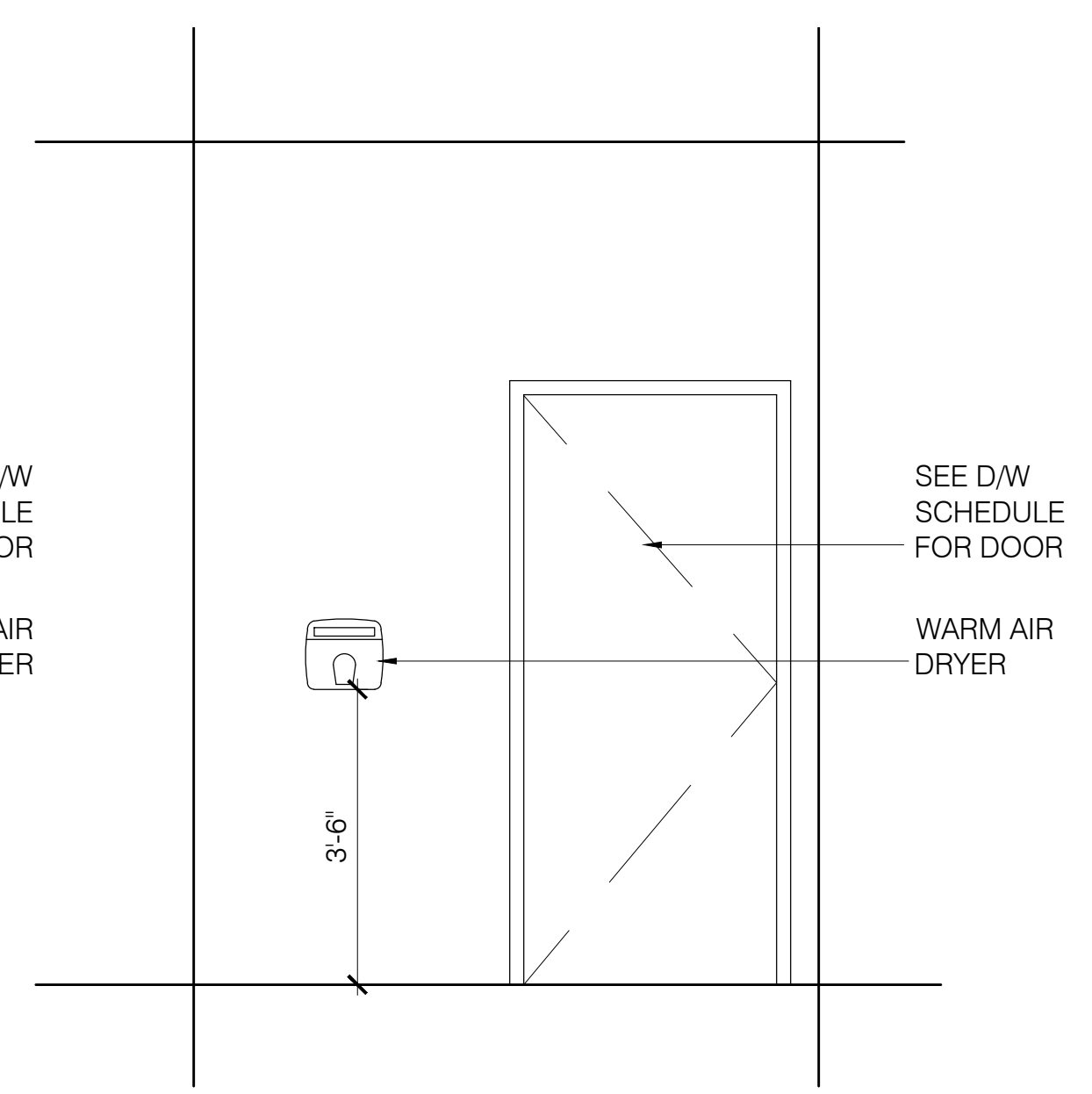
2 ADA RESTROOM INT ELEV  
SCALE: 1/2" = 1'-0"



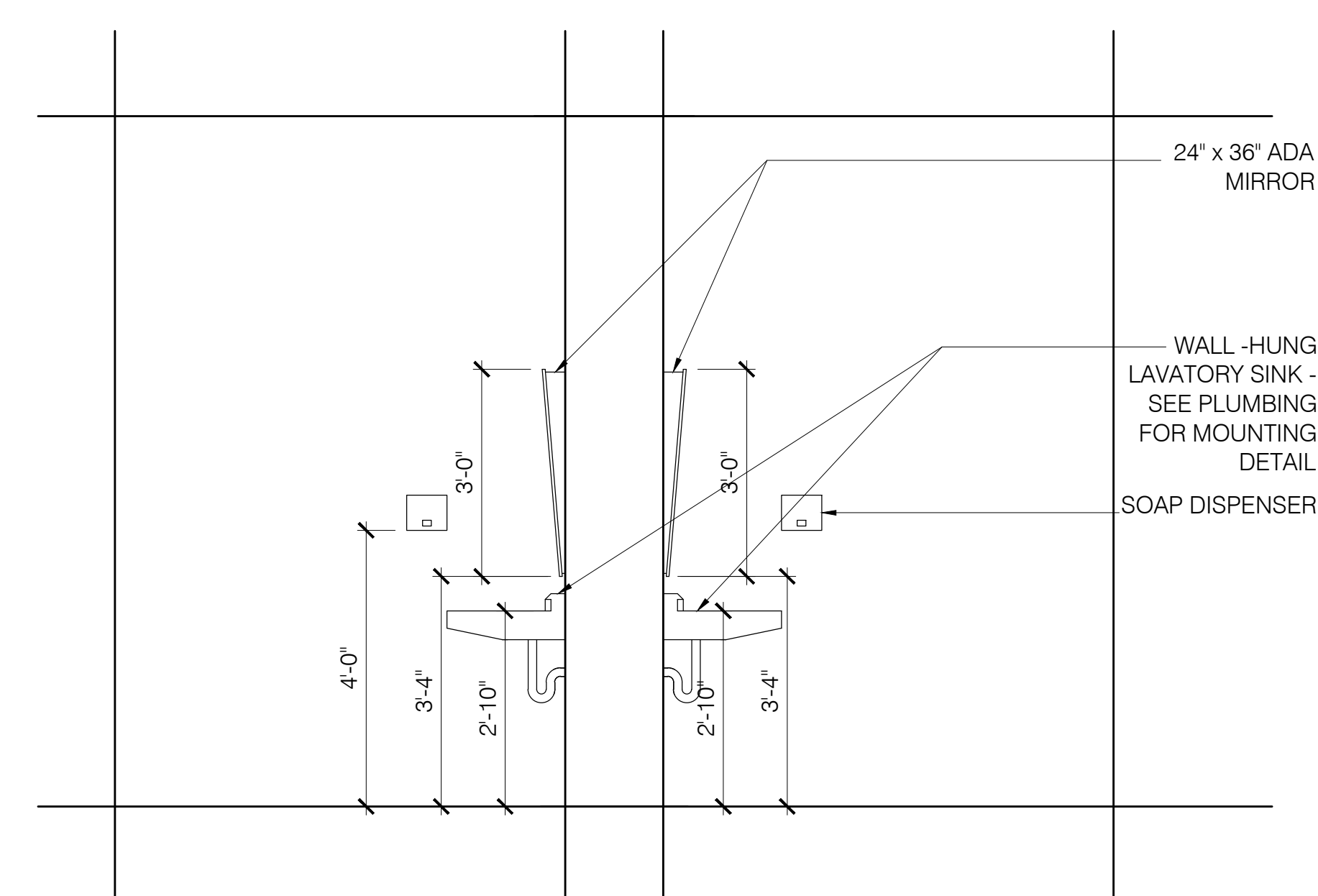
3 ADA RESTROOM INT ELEV  
SCALE: 1/2" = 1'-0"



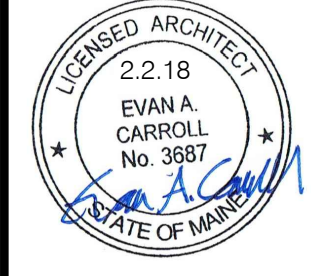
4 ADA RESTROOM INT ELEV  
SCALE: 1/2" = 1'-0"



5 ADA RESTROOM INT ELEV  
SCALE: 1/2" = 1'-0"



6 ADA RESTROOM INT ELEV  
SCALE: 1/2" = 1'-0"



**Bild Architecture**  
PO Box 8235  
Portland, ME  
04104  
207.408.0168  
evan@bildarchitecture.com



PROJECT NO. **16040**  
PROJECT NAME **MIXED-USE SHELL**  
50 COVE STREET, PORTLAND ME - 04101

REVISIONS	DATE	BY
1		
2		
3		
4		
5		

DRAWN BY **EMW**  
SHEET TITLE **TOILET DETAILS**

ISSUE DATE **2/2/18**  
SHEET SCALE **1/2" = 1'-0"**