

180
Washington Ave
PORTLAND, MAINE

REV. 1 08.20.14

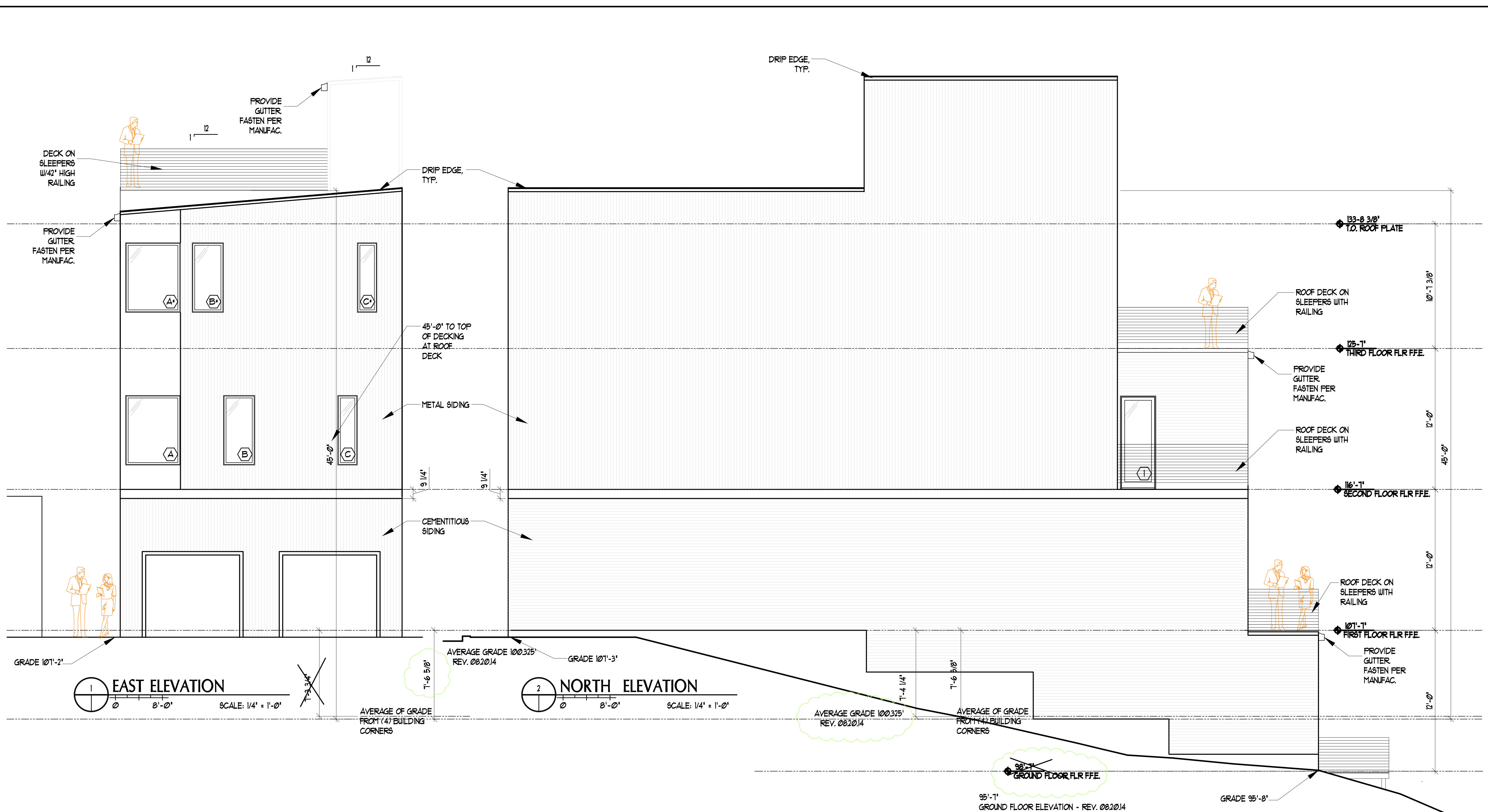
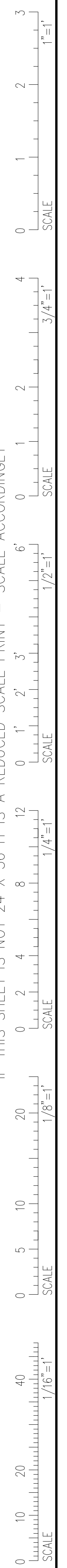
DATE	DESCRIPTION
REVISIONS	
Date Issued	07.03.14
Project Number	142111
Drawing Scale	AS NOTED
SHEET NAME	

PROPOSED ELEVATIONS

Drawn By
TJR
Checked By
JCC

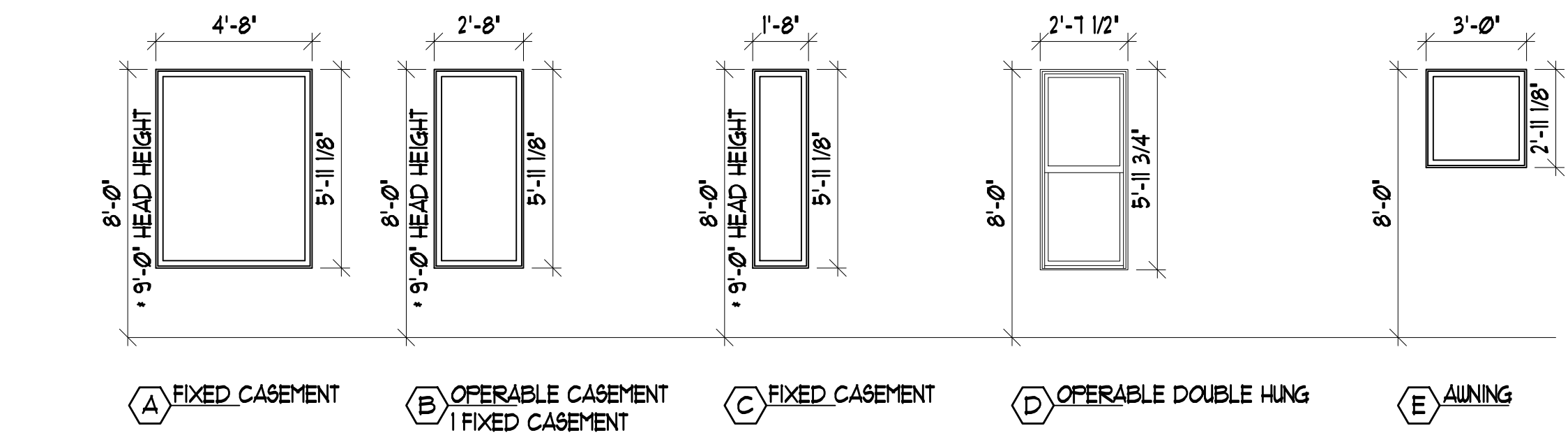
A2.2

IF THIS SHEET IS NOT 24 X 36 IT IS A REDUCED SCALE PRINT - SCALE ACCORDINGLY



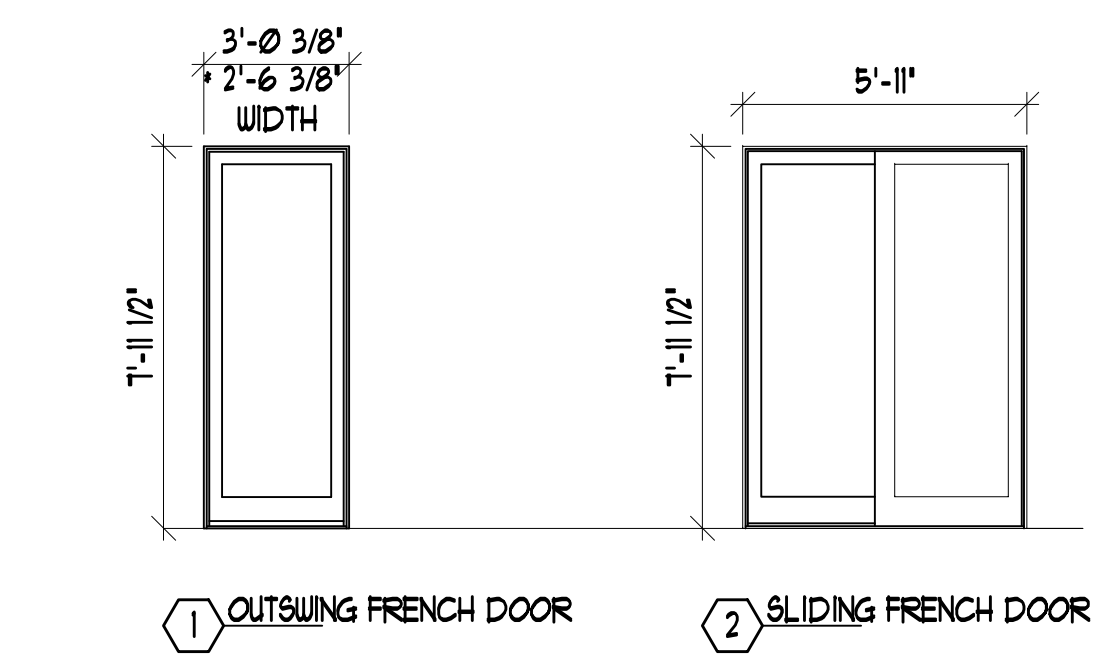
EAST ELEVATION
SCALE: 1/4" = 1'-0"

NORTH ELEVATION
SCALE: 1/4" = 1'-0"



WINDOWS LEGEND
SCALE: 1/4" = 1'-0"

GLAZING TO MEET OR EXCEED IECC 2009 STANDARDS
U-FACTOR = 0.35
SHGC = NOT REQUIRED
HEAD HEIGHT: 8'-0" UNO



DOORS LEGEND
SCALE: 1/4" = 1'-0"

GLAZING TO MEET OR EXCEED IECC 2009 STANDARDS
U-FACTOR = 0.35
SHGC = NOT REQUIRED
HEAD HEIGHT: 8'-0" UNO