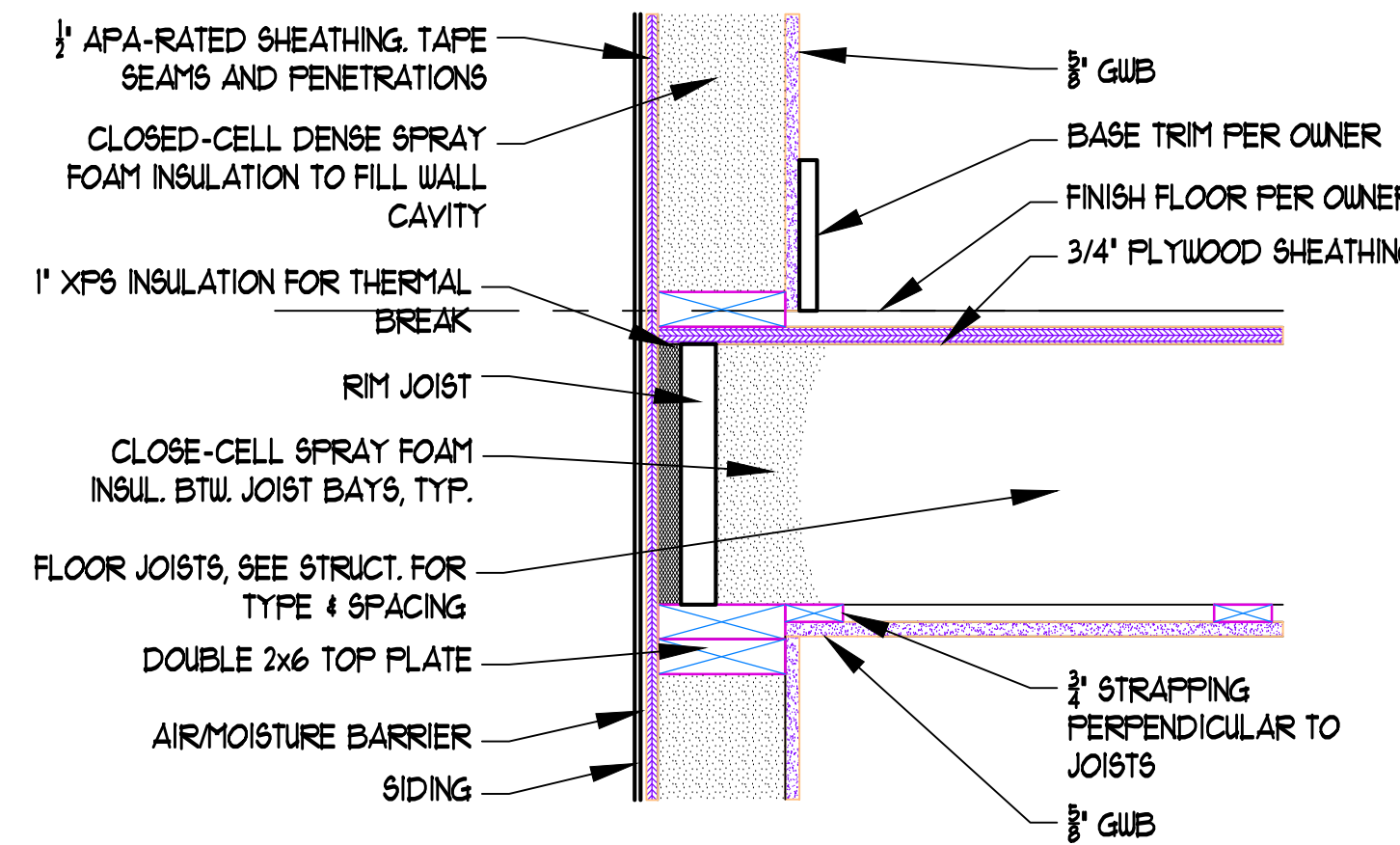
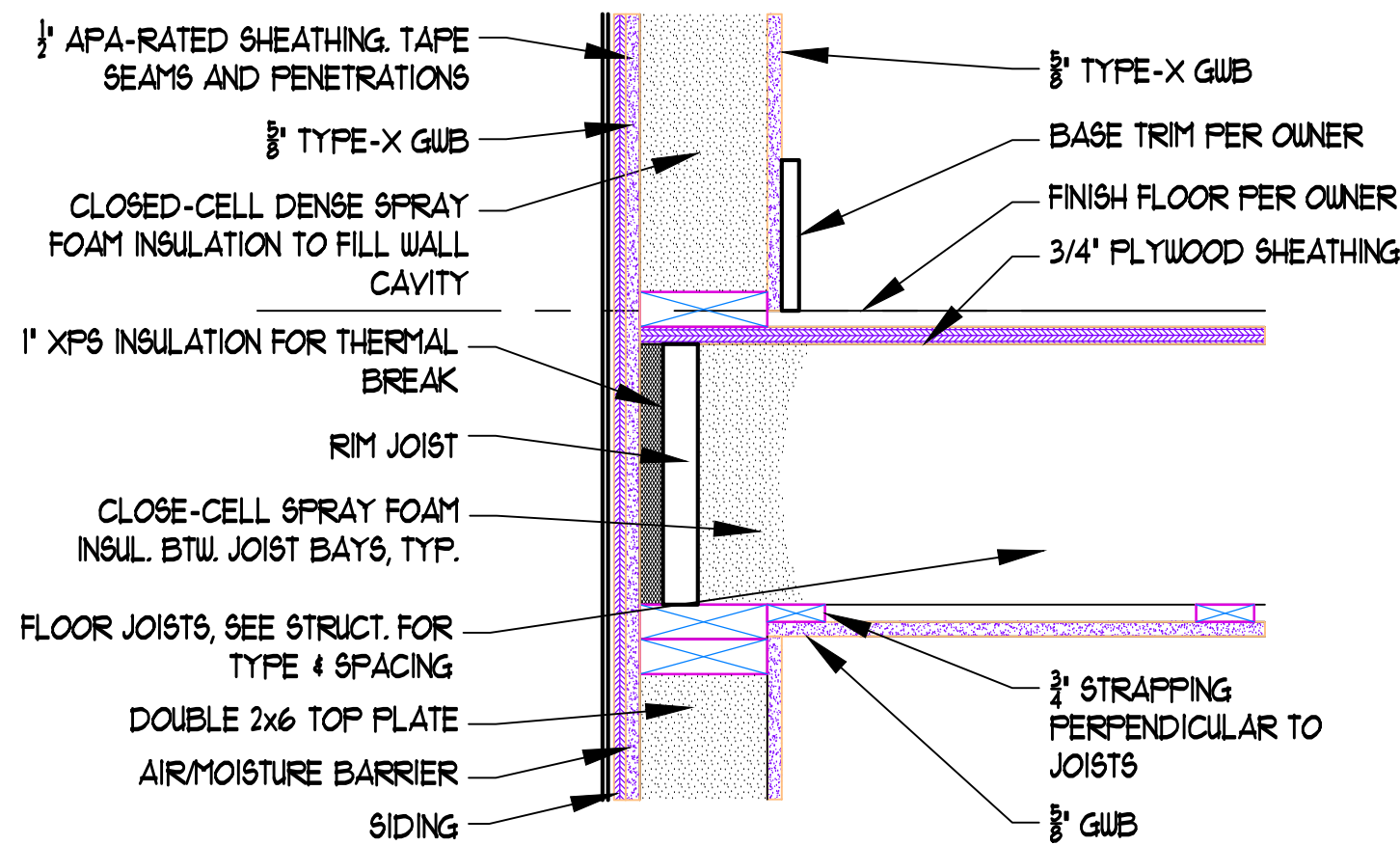


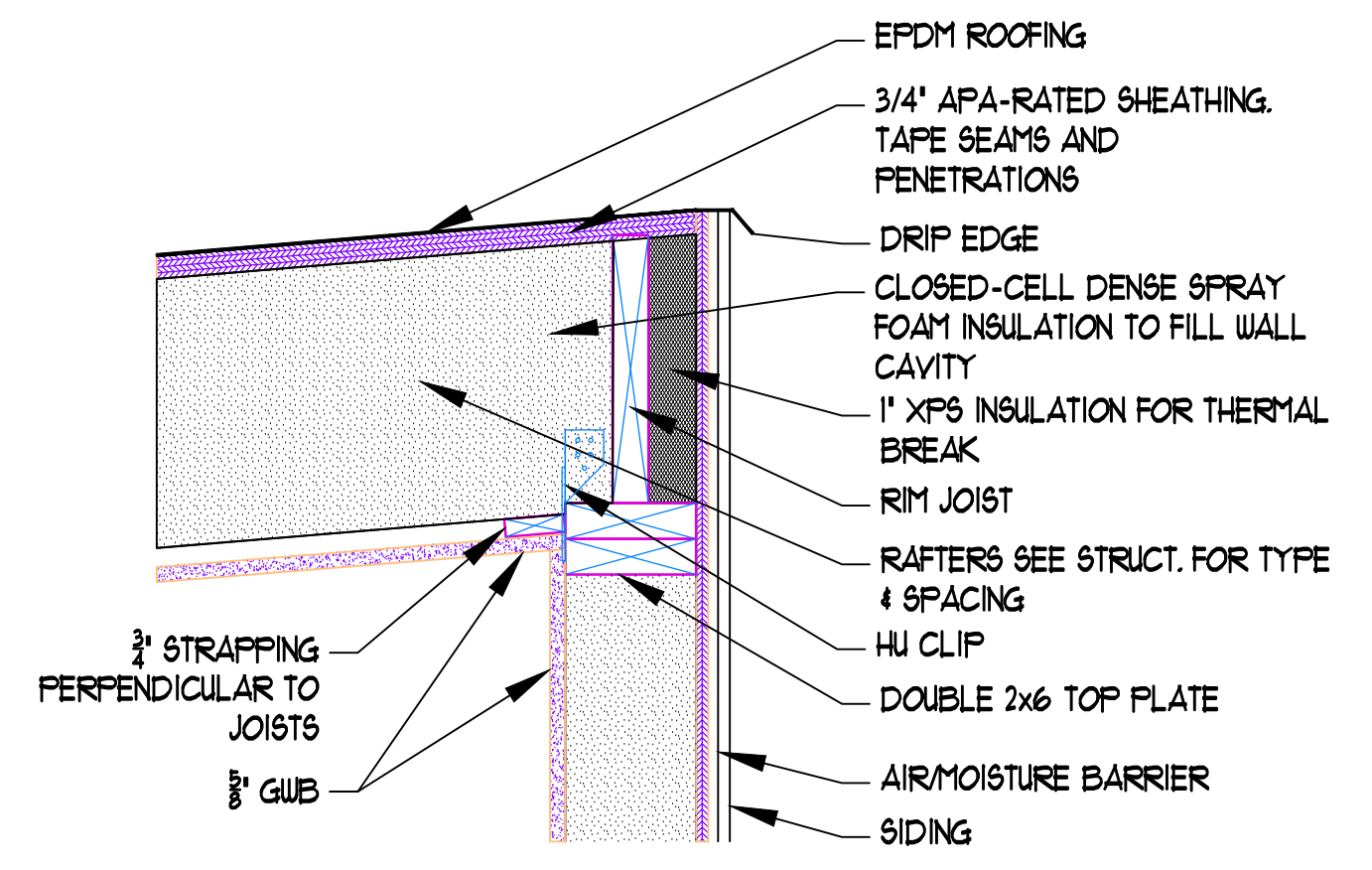
IF THIS SHEET IS NOT 24 X 36 IT IS A REDUCED SCALE PRINT - SCALE ACCORDINGLY



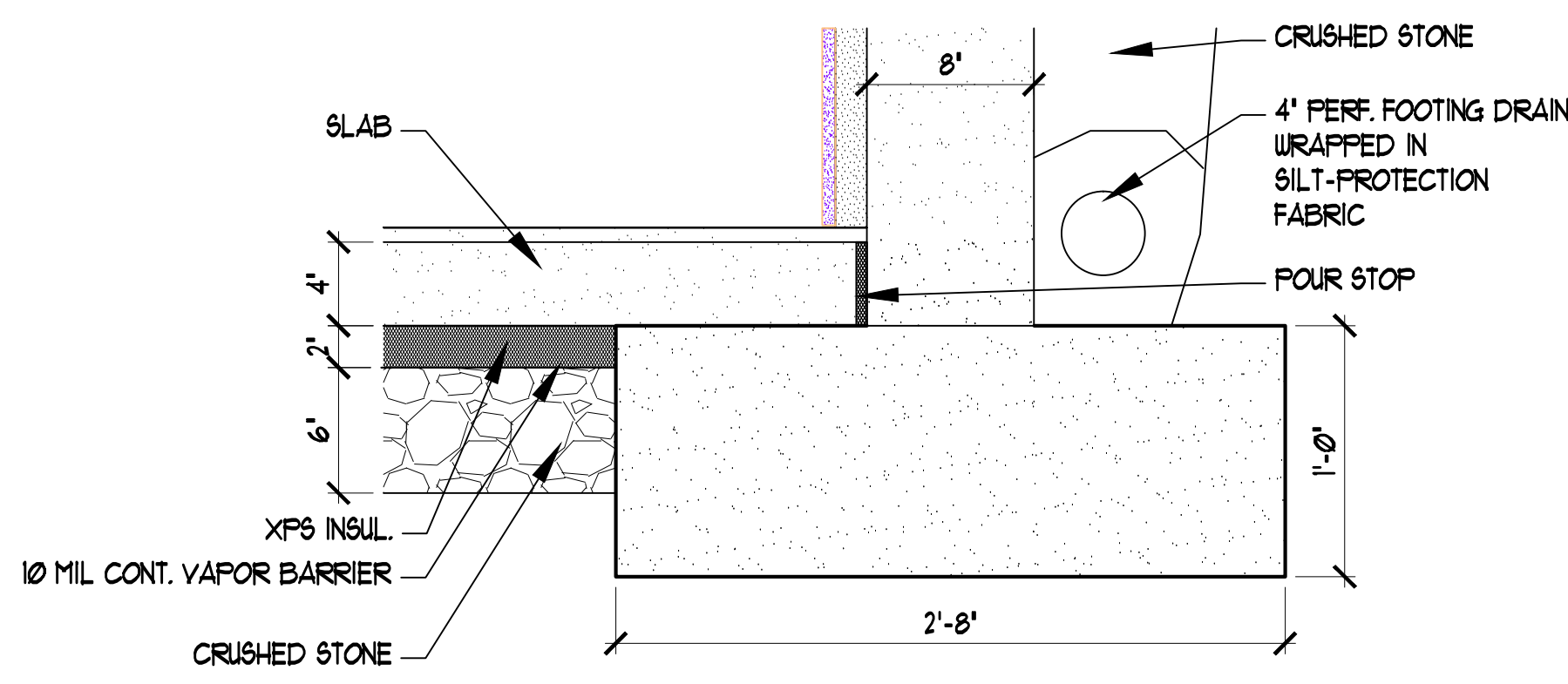
1 TYPICAL EXTERIOR WALL AT RIM JOIST
SCALE: 1-1/2" = 1'-0"



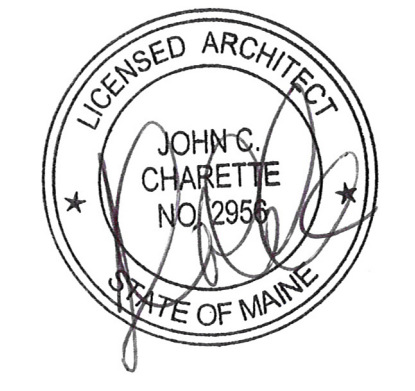
2 TYPICAL RATE EXTERIOR WALL @ RIM JOIST
SCALE: 1-1/2" = 1'-0"



3 ROOF DETAIL
SCALE: 1-1/2" = 1'-0"



4 TYP. FOOTING DETAIL @ BASEMENT
SCALE: 1-1/2" = 1'-0"



180
Washington Ave
PORTLAND, MAINE

DATE	DESCRIPTION
REVISIONS	
Date Issued	07.09.14
Project Number	142111
Drawing Scale	AS NOTED
SHEET NAME	

BUILDING SECTION

Drawn By
TJR

Checked By
JCC

A3.2