

# Dayton® Tubular Gas Fired Direct Spark Propeller Unit Heaters

ENGLISH

## Installation (Continued) HEATER MOUNTING

Refer to Figures 3A, 3B, and 3C for suspension of units.

**⚠ WARNING** *Make certain that the lifting methods used to lift the heater and the method of suspension used in the field installation of the heater are capable of uniformly supporting the weight of the heater at all times. Failure to heed this warning may result in property damage or personal injury!*

**⚠ WARNING** *Make sure that the structure to which the unit heater is to be mounted is capable of safely supporting its weight. Under no circumstances must the gas lines, the venting system or the electrical conduit be used to support the heater; nor should any other objects (i.e. ladder, person) lean against the heater gas lines, venting system or the electrical conduit for support. Failure to heed these warnings may result in property damage, personal injury, or death.*

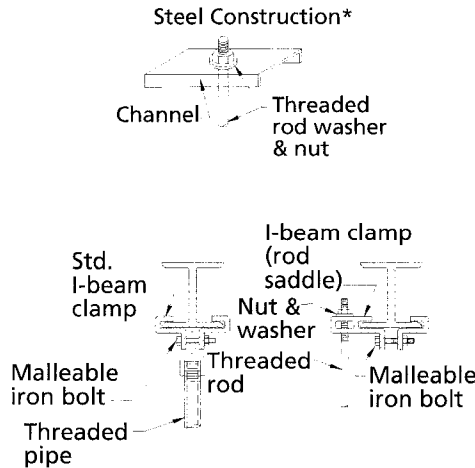


Figure 3B

**⚠ CAUTION** *Unit heaters must be hung level from side to side and from front to back, see Figures 3A, 3B, and 3C. Failure to do so will result in poor performance and/or premature failure of the unit.*

## Wood Construction Joists\*

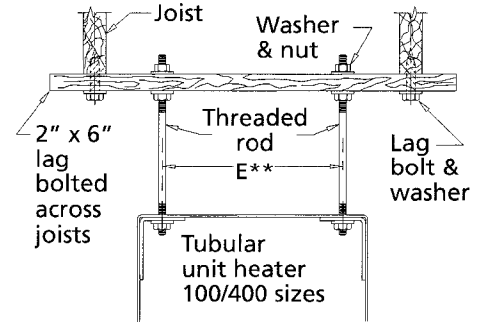
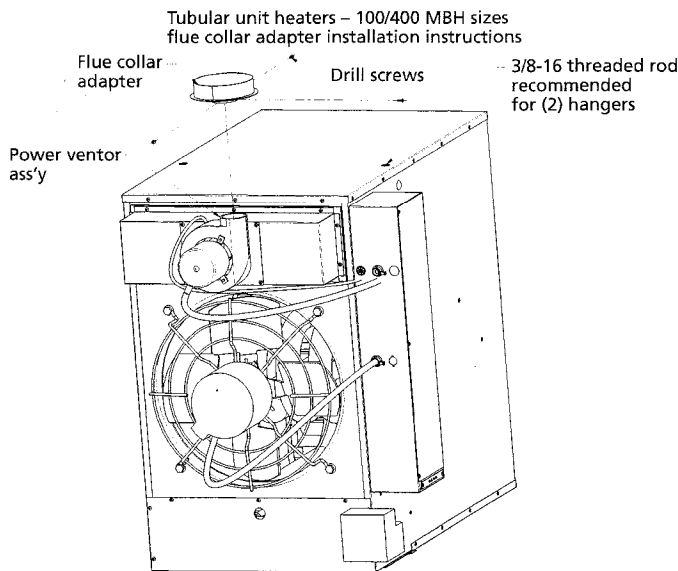


Figure 3C

(\*) All hanging hardware and wood is not included with the unit (To be field supplied).  
(\*\*) See Table 1 for Dimension E.

**⚠ WARNING** *Ensure that all hardware used in the suspension of each unit heater is more than adequate for the job. Failure to do so may result in extensive property damage, severe personal injury, or death!*



Install the flue collar adapter to the power ventor ass'y as shown. Secure in place using drill screws as shown. Refer to installation instructions included with the unit for all other installation requirements.

Figure 3A

## Gas Piping

**⚠ WARNING** *To avoid damage or possible personal injury, do not connect gas piping to this unit until a supply line pressure/leak test has been completed. Connecting the unit before completing the pressure/leak test may damage the unit gas valve and result in a fire hazard.*

*Do not rely on a shut-off valve to isolate the unit while conducting gas pressure/leak tests. These valves may not be completely shut off, exposing the gas valve to excessive pressure and damage.*