

SITE PLAN APPLICATION
218-220 WASHINGTON AVENUE
WRITTEN SUBMISSION S -1 SITE LIGHTING

THERE ARE ONLY TWO SITE LIGHTING FIXTURES PROPOSED FOR THIS PROJECT, AT THE SITE ENTRANCE DRIVEWAY. THESE WILL BE SPAULDING CIMMARON LED FIXTURES ON 20 FOOT POLES, A CUT SHEET OF THE FIXTURE IS ATTACHED.

CIMARRON LED	Cat.#	Approvals	SPAULDING LIGHTING
	Job	Type	

SPECIFICATIONS

Construction:

- Stylish vertically finned die-cast solid top housing for maximum heat dissipation; Stops collection of unsightly debris from gathering on top of the housing
- Rugged lower die-cast aluminum heat sink accelerates thermal management and optimizes PCB and optical performance
- Separate optical and electrical compartment for optimum component operation
- One piece die cut silicone gasket ensures weather proof seal around each individual LED for IP65 rating
- Backlight Control (BC) option available for 85% spill light reduction, doesn't change fixture appearance or EPA, recommended for Type III and Type IV distributions
- Stamped bezel provides mechanical compression to seal the optical assembly
- Complements the Hubbell Southwest series of outdoor fixtures
- Weight - 45.0 pounds, EPA - 1.3 ft²
- Features exclusive wiHUBB technology
 - Wireless system for On/Off and 0-10VDC full range dimming control
 - Programmable autonomous operation
- Suitable for applications requiring 3G testing prescribed by ANSI C136.31

Optics:

- Choice of 72 high brightness LED configurations with individual acrylic lenses specially designed for IES Type II, III, IV and V distributions
- CCT: 3000K (80 CRI), 4200K (70 CRI), 5100K (67 CRI), and turtle friendly Amber LED options
- CRI: 70

Electrical:

- Universal input voltage 120-277 VAC, 50/60 Hz
- Integral step-down transformer for 347V & 480V
- Ambient operating temperature -40° C to 40° C
- Automatic thermal self-protection
- Drivers have greater than 90% power factor and less than 10% THD

- Optional continuous dimming to 10% or dual circuitry available
- LED drivers have output power over-voltage, over-current protection and short circuit protection with auto recovery
- 1050 mA driver available with 90L configuration for increased lumen output
- LED electrical assembly, including PR devices, consumes no power in the 'off' state
- Surge protection of 10KA 8/20 µSec wave; clamping voltage of 320V & surge rating of 273J

Lumen maintenance:

- L90 at 60,000 hours (Projected per IESNA TM-21-11)

Installation:

- Two die-cast aluminum arm designs: The decorative arm offers a sleek upswept look while the straight arm follows the housing's contoured lines for continuity of style
- Fixture ships with arm installed for ease of installation and mounts to #2 drill pattern
- Wall bracket, mast arm fitter and pole accessories are also available allowing easy mounting for virtually any application

Finish:

- TGIC thermoset polyester powder paint finish applied at nominal 2.5 mil thickness

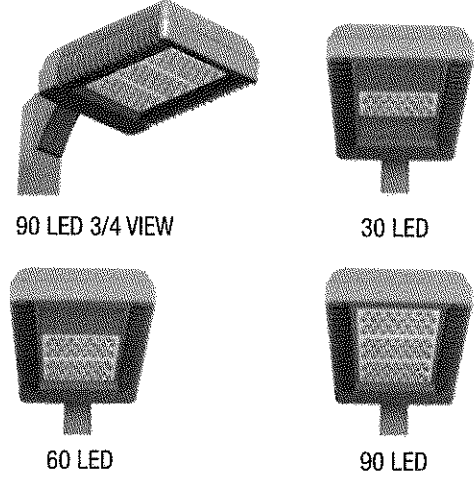
Warranty:

Five year limited warranty (for more information visit: <http://www.hubbelloutdoor.com/resources/warranty/>)

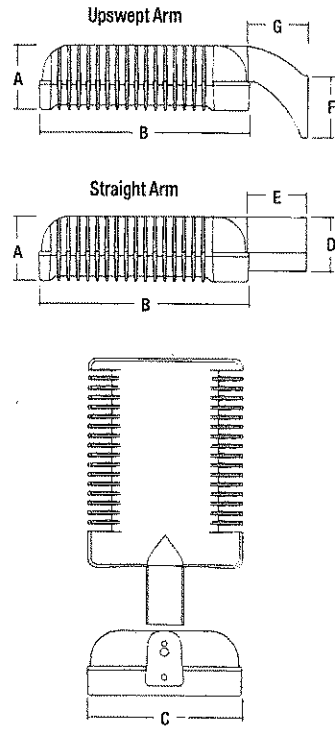
Listings:

- Listed to UL1598 and CSA C22.2#250.0-24 for wet locations
- Models meet DesignLights Consortium (DLC) qualifications, consult DLC website for more details: <http://www.designlights.org/QPL>
- IDA approved • IP65

PRODUCT IMAGE(S)



DIMENSIONS



A	B	C	D	E	F	G
6 3/4"	21 3/4"	16"	6 5/8"	6 5/16"	5 5/8"	6 1/8"
171mm	552mm	406mm	168mm	160mm	143mm	155mm

CERTIFICATIONS/LISTINGS



ORDERING INFORMATION SEE NEXT PAGE



Spaulding Lighting • 701 Millennium Boulevard • Greenville, SC 29607 • Phone: 864-678-1000

Due to our continued efforts to improve our products, product specifications are subject to change without notice.

© 2014 SPAULDING LIGHTING. All Rights Reserved • For more information visit our website: www.spauldinglighting.com • Printed in USA

ORDERING INFORMATION ORDERING EXAMPLE: CL1-A-90LU-5K-3-DB-RPA3



SERIES	NO. OF LEDs	VOLTAGE	CCT	DRIVE CURRENT	OPTIONS
CL1 Cimarron LED	90L 90 High brightness LEDs 60L 60 High brightness LEDs 30L 30 High brightness LEDs	U ² Universal 120V-277V, 50/60 Hz 1 ¹ 120V 2 ² 208V 3 ³ 240V 4 ⁴ 277V 5 480V, 60 Hz F 347V, 60 Hz E ⁴ 220V, 50 Hz	3K 3000K 4K 4200K 5K 5100K AM ⁶ Amber (590 nm available for "Turtle Friendly" applications (consult factory))	Leave blank for 700mA (standard) 035 350mA Amber CCT only 105 1050 mA (use with 90L only for higher lumen output)	BC ⁵ Backlight control BL ^{1,2,5} Bi-level control CD ³ Continuous dimming WB Wall bracket RPA3 3" Round pole adapter RPA4 4" Round pole adapter RPA5 5" Round pole adapter RPA6 6" Round pole adapter F(X) ^{3,4} Fusing (replace X with voltage: 1-120V, 2-208V, 3-240V, 4-277V, 5-480V, 6-347V) SSB Stainless steel LED bezel VG Vandal guard
MOUNTING					
A Arm mount construction (6" straight rigid arm included & acceptable for 90° configurations)					
AD Decorative arm mount const. (6" decorative upswept arm incl. & acceptable for 90° configurations)					
MAF Mast arm fitter for mounting to standard 2 3/8" mast arm bracket, includes 6" straight rigid arm					
DISTRIBUTION					
2 Type II					
3 Type III					
4 Type IV					
5M Type V Medium					
5S Type V Short					
5W Type V Wide					
2L Type II Rotated 90° left					
3L Type III Rotated 90° left					
4L Type IV Rotated 90° left					
2R Type II Rotated 90° right					
3R Type III Rotated 90° right					
4R Type IV Rotated 90° right					
COLOR					
DB Dark Bronze					
BL Black					
WH White					
GR Gray					
PS Platinum Silver					
RD Red (premium color)					
FG Forest Green (premium color)					
CC Custom Color					
SC ⁰ Motion sensor On/Off control, No light output when no motion detected					
SCP Programmable motion control, factory default is 50%					
PR(X) ⁵ NEMA Photo cell receptacle (replace X with voltage: U=120-277, 5=480, 6=347)					
WIH ⁷ In-fixture wireless control module (120, 277, 347 & 480V)					

- Notes: 1- For BL option 30L and 60L; N/A 347V & 480V
 2- BL & CD cannot be combined
 3- Fuse option not available with universal voltage
 4- Select F3 fusing option for 220V
 5- Photocell receptacle not available with BL option
 6- Recommended for Type III and IV distributions only
 7- Select only when using voltage specific option (F or WIH)
 8- Available in 350mA drive current only Type IV, 5M

ENERGY SAVING DATA

ENERGY DATA	INPUT WATTS		LUMENS DELIVERED						DRIVERS CURRENT
	120V-277V	347V-480V	TYPE 2	TYPE 3	TYPE 4	TYPE 5M	TYPE 5S	TYPE 5W	
Power Factor >.9									
Total Harmonic Distortion <10%									
30L-5K	70	87	6384	6164	6641	7108	6999	6619	2@700mA
60L-5K	140	157	13300	12842	13125	13185	13675	12954	4@700mA
90L-5K	210	227	19684	19006	19202	20592	19610	18973	6@700mA
90L-5K-105	336	363	26974	25351	26548	25793	27445	25195	6@1050mA
30L-4K	70	87	6089	6109	6104	6417	6439	6046	2@700mA
60L-4K	140	157	11583	11468	12036	12038	12581	11807	4@700mA
90L-4K	210	227	17143	16973	17648	18521	20220	17394	6@700mA
90L-4K-105	336	363	23896	23912	24199	24583	25357	23128	6@1050mA
30L-3K	70	87	4606	4668	4686	4858	4902	4601	2@700mA
60L-3K	140	157	9013	9175	9216	9409	9461	8844	4@700mA
90L-3K	210	227	13360	13601	13575	13923	14004	13902	6@700mA
90L-3K-105	336	363	17645	17612	17469	17950	18271	17330	6@1050mA

ACCESSORIES SEE NEXT PAGE



Spaulding Lighting • 701 Millennium Boulevard • Greenville, SC 29607 • Phone: 864-678-1000
 Due to our continued efforts to improve our products, product specifications are subject to change without notice.
 © 2014 SPAULDING LIGHTING. All Rights Reserved • For more information visit our website: www.spauldinglighting.com • Printed in USA

ACCESSORIES

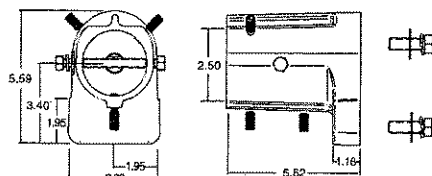
Catalog Number	Description
CR-RPA3-XX ¹	Round pole adapter for straight arm (3¼ - 3¾")
CR-RPA4-XX ¹	Round pole adapter for straight arm (3¾ - 4½")
CR-RPA5-XX ¹	Round pole adapter for straight arm (5")
CR-RPA6-XX ¹	Round pole adapter for straight arm (6")
CRD-RPA2-XX ¹	Round pole adapter for upswept arm (2¾ - 3¾")
CRD-RPA3-XX ¹	Round pole adapter for upswept arm (3¾ - 3¾")
CRD-RPA4-XX ¹	Round pole adapter for upswept arm (3¾ - 4½")
CRD-RPA5-XX ¹	Round pole adapter for upswept arm (5")
CRD-RPA6-XX ¹	Round pole adapter for upswept arm (6")
WB-CR-XX ¹	Wall bracket
TPLB-XX ¹	Twin parallel luminaire bracket
MAF-CL-XX ¹	Horizontal mast arm fitter for 2 3/8" OD arm. Mounts to standard 6" arm (ordered with fixture)

- 1 Replace XX with color choice, eg.: DB for Dark Bronze
- 2 When ordering poles, specify Pole Drill Pattern #2
- 3 Fixture must include standard 6" arm

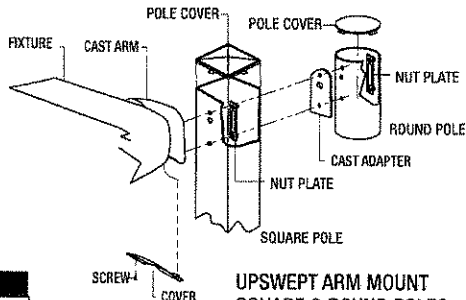
MOUNTING ACCESSORIES

Catalog Number	Description
ARM-CL-K-TA-XX ¹	Adjustable mounting arm for single fixture (2-3/8 tenon) – 5 lbs. 2.3 kgs.
ARM-CL-TK-TA-XX ¹	Adjustable mounting arm for two fixtures at 180° (2-3/8 tenon) – 7 lbs. 3.2 kgs.
ARM-CL-K-S-XX ¹	10" adjustable arm – .5 lbs. .05 kgs. – 5.75 lbs. 2.6 kgs.

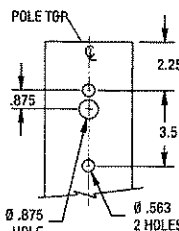
- 1 Replace XX with color choice, eg.: DB for Dark Bronze
- 2 Fixture must include standard 6" straight arm



MAF – HORIZONTAL MAST ARM FITTER



UPSWEPT ARM MOUNT SQUARE & ROUND POLES



#2 DRILL PATTERN FOR POLES

TENON TOP POLE BRACKET ACCESSORIES

(2 3/8" OD tenon) (RSS version requires 4" round pole adapter)

Catalog Number	Description
SETA-XX ¹	Square pole tenon adapter (4 at 90 degrees)
RETA-XX ¹	Round pole tenon adapter (4 at 90 degrees)
TETA-XX ¹	Hexagonal pole tenon adapter (3 at 120 degrees)

- 1 Replace XX with color choice, eg.: DB for Dark Bronze

PHOTOCONTROL EQUIPMENT

Catalog Number	Description
PTL-1	Photocontrol - twist-lock cell (120V)
PTL-8	Photocontrol - twist-lock cell (120-277V)
PTL-5	Photocontrol - twist-lock cell (480V)
PTL-6	Photocontrol - twist-lock cell (347V)
PSC	Shorting cap - twist-lock

LIGHTING FACTS

lighting facts
Light Output (Lumens) 6276
Watts 68.4
Lumens per Watt (Efficiency) 91
Color Accuracy 74
Light Color 4021 (Bright White)Warranty Yes

lighting facts
Light Output (Lumens) 6882
Watts 69.7
Lumens per Watt (Efficiency) 98
Color Accuracy 68
Light Color 4085 (Daylight)
Warranty Yes

lighting facts
Light Output (Lumens) 15068
Watts 288.5
Lumens per Watt (Efficiency) 72
Color Accuracy 76
Light Color 5433 (Daylight)
Warranty Yes

lighting facts
Light Output (Lumens) 22898
Watts 338.5
Lumens per Watt (Efficiency) 67
Color Accuracy 75
Light Color 4192 (Bright White)
Warranty Yes