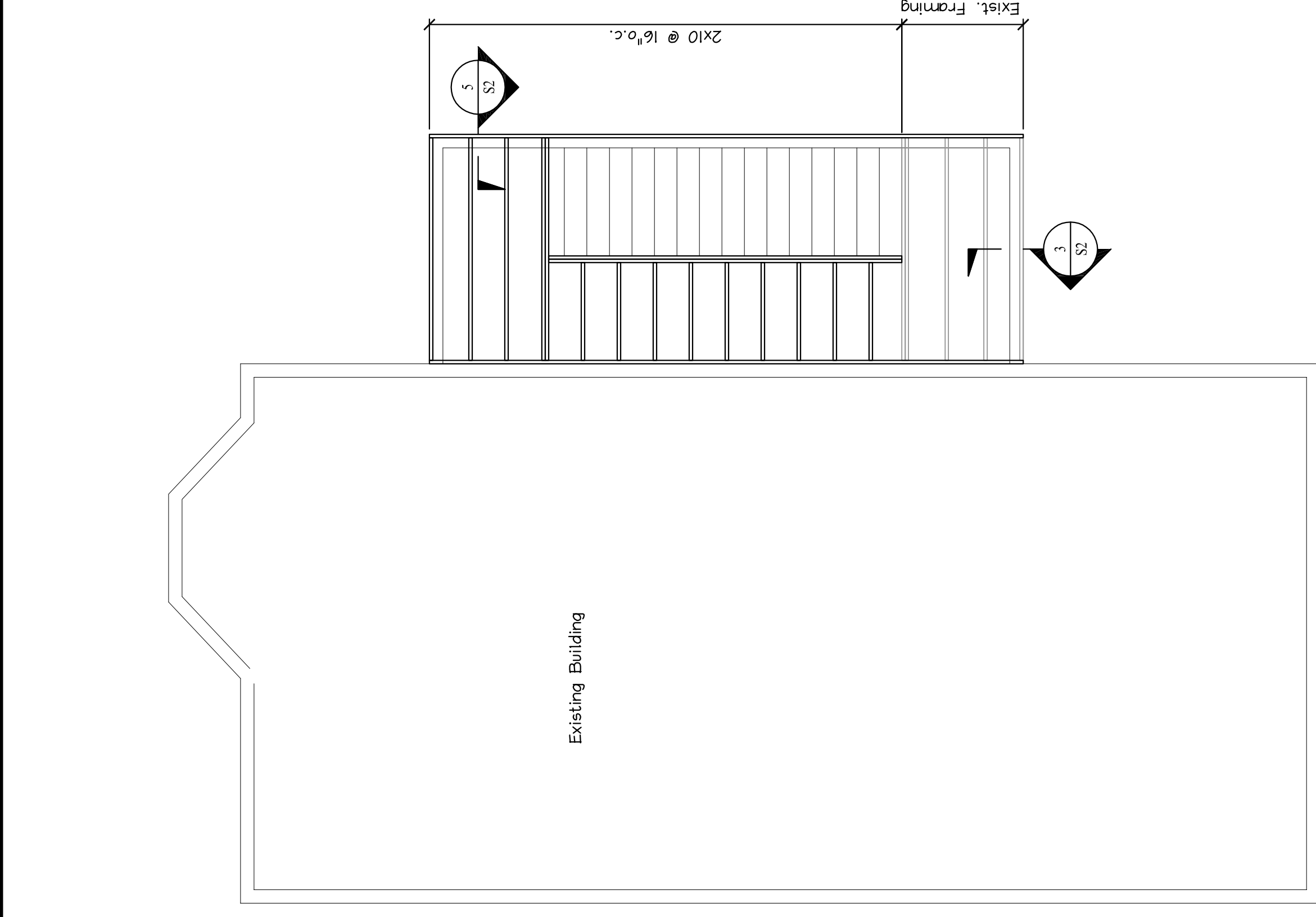


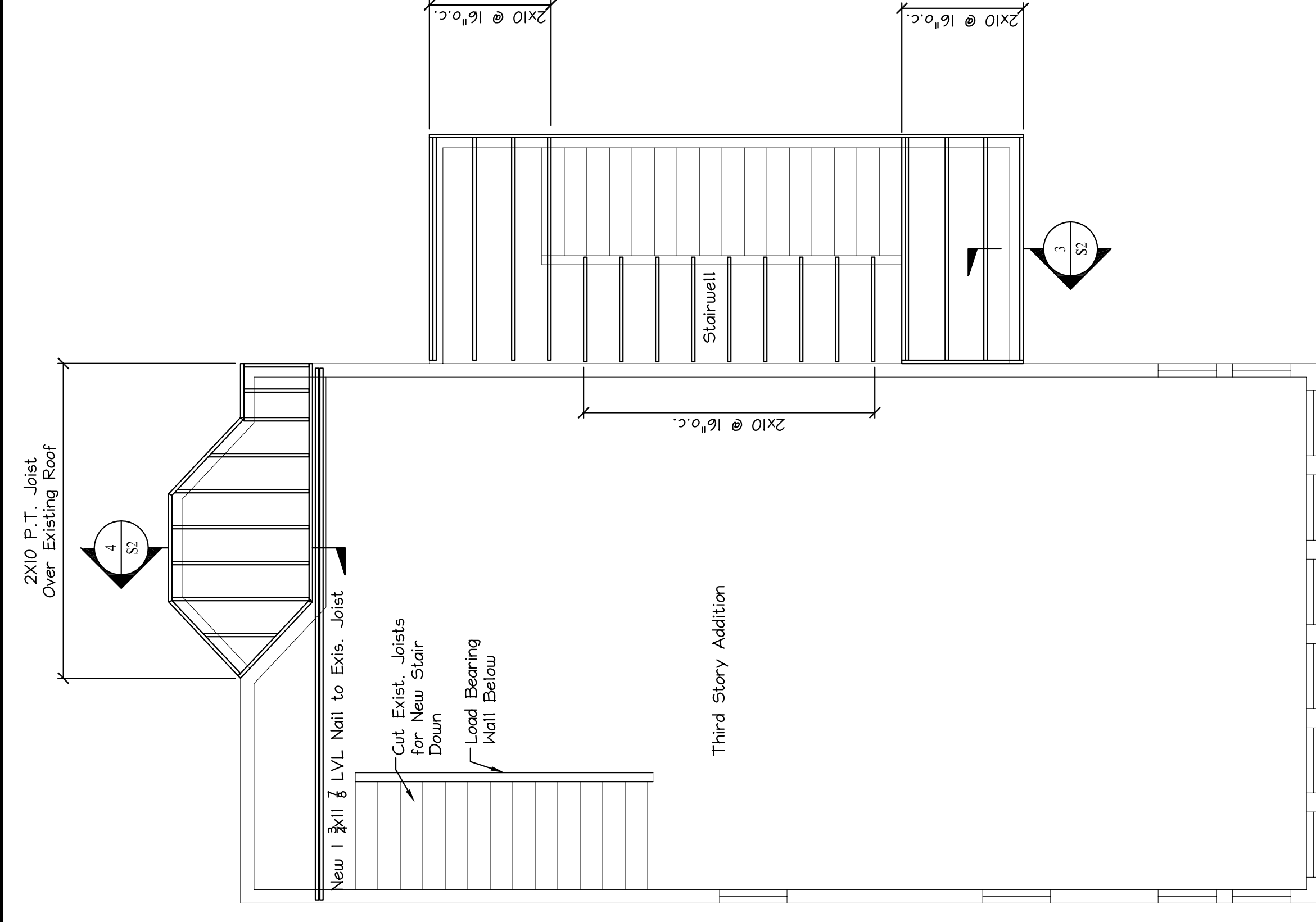
EXIST. FLOOR FRAMING PLAN

SCALE: 1/4" = 1'-0"



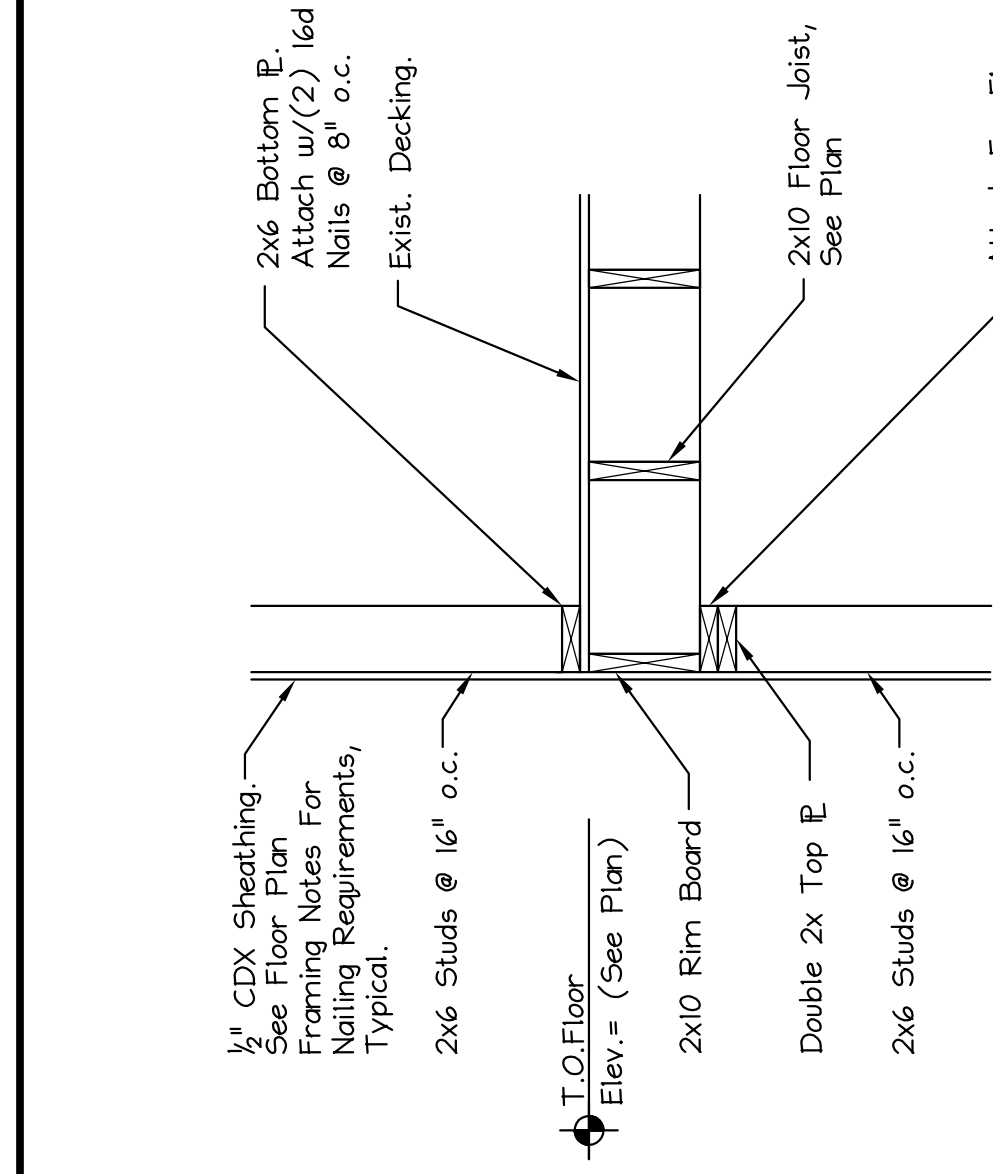
SECOND FLOOR FRAMING PLAN

SCALE: 1/4" = 1'-0"



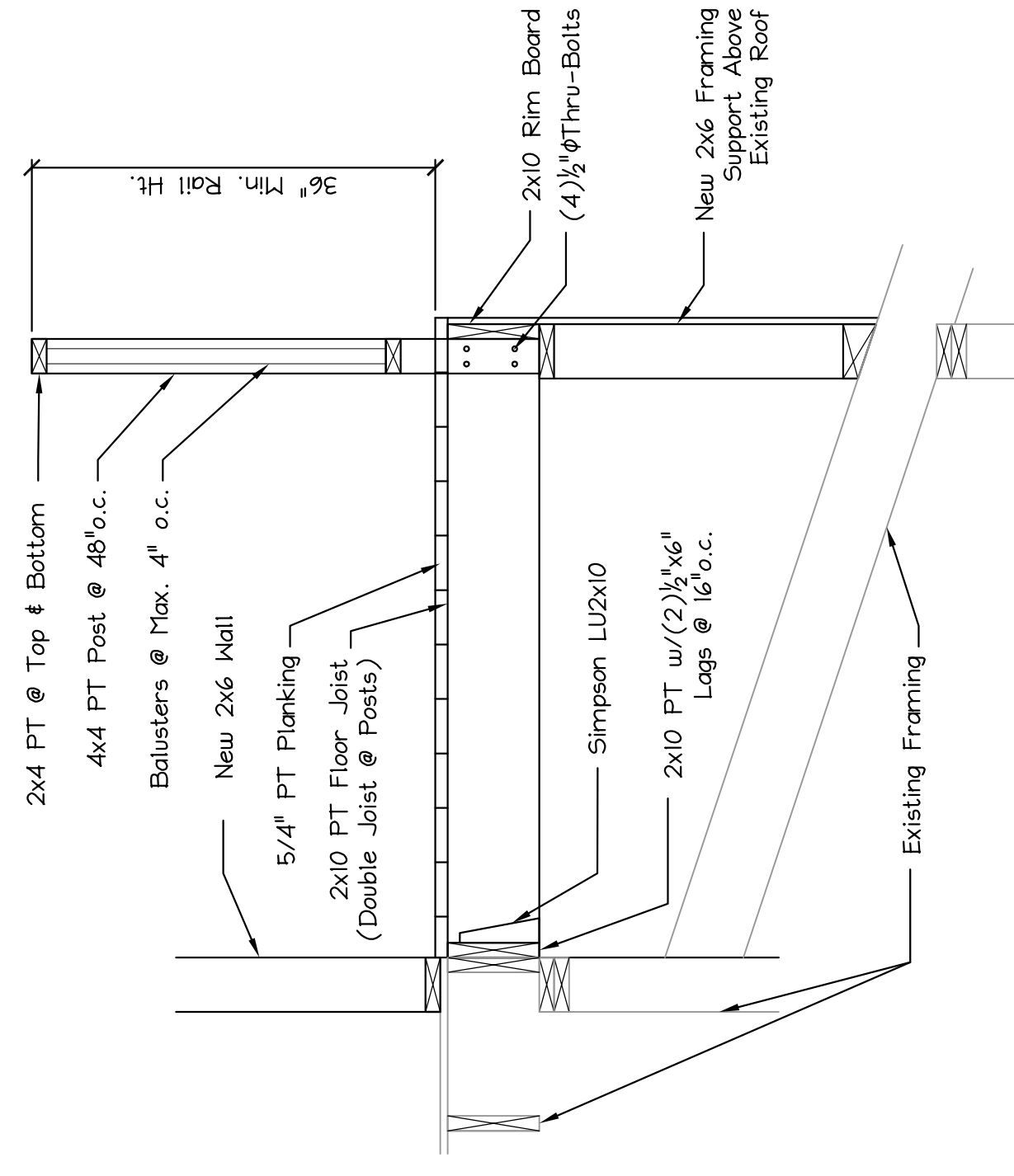
THIRD FLOOR FRAMING PLAN

SCALE: 1/4" = 1'-0"



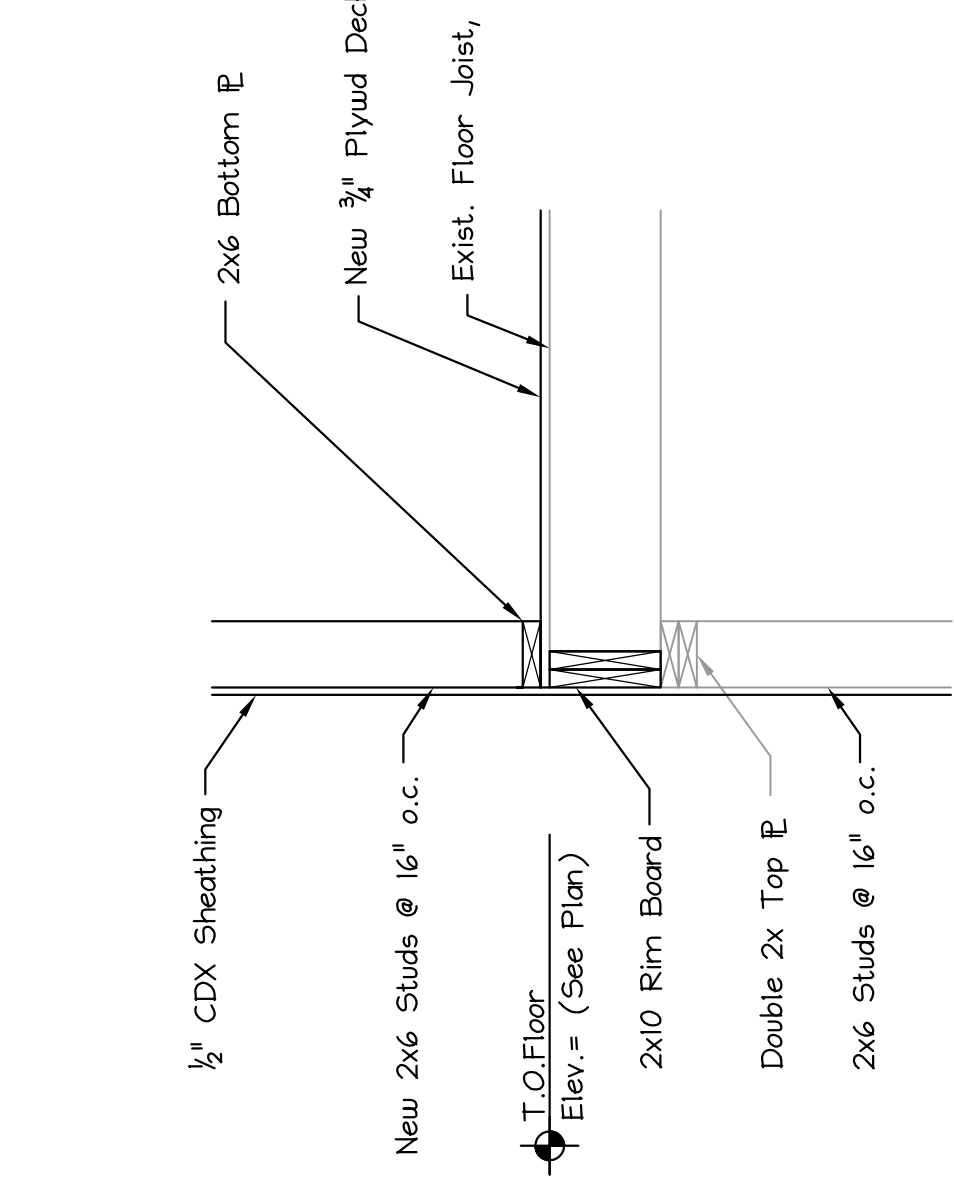
SECTION 3

SCALE: 3/4" = 1'-0"



SECTION 4

SCALE: 3/4" = 1'-0"



SECTION 5

SCALE: 3/4" = 1'-0"

#	DATE	DESCRIPTION

GLENN MORSE  
BUILDING RENOVATION  
PORTLAND, MAINE

**M**  
Macleod Structural Engineers, PA  
404 Main Street  
Gorham, Maine 04038  
phone: (207) 839-0980  
fax: (207) 839-0982

Copyright © 2006 Macleod Structural Engineers, P.A.  
Reproduction of this document without the written consent of Macleod Structural Engineers, P.A. is prohibited.

THIS DRAWING IS ISSUED  
SUBMITTED FOR PERMIT  
DATE: 2/28/08

This Drawing Shall Be Considered A  
"Contract Document" ONLY When It  
Possesses The Engineer's Seal & Signature  
And Is Accompanied By The Original  
"Progress Print - Not For Construction"

DRN BY: DMB  
CHKD BY: BWN  
DATE: 1/29/08  
SCALE: AS NOTED  
PROJ. NO.: 2007-800

SHEET TITLE:  
FLOOR FRAMING PLANS  
& DETAILS  
S2 OF 4

#	DATE	DESCRIPTION

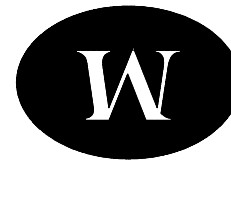
CURRENT REVISION

MAINE

GLENN MORSE  
BUILDING RENOVATION

PORTLAND

Copyright © 2006 MacLeod Structural Engineers, P.A.  
 Reproduction of this document without the written consent of  
 MacLeod Structural Engineers, P.A. is prohibited.



404 Main Street  
 Gorham, Maine 04038  
 phone: (207) 839-0980  
 fax: (207) 839-0982

MA License 05427 ME License 45530  
 RI License 23051 RI License 07910  
 NH License 2302 NH License 24265A

**THIS DRAWING IS ISSUED**  
 SUBMITTAL FOR PERMIT  
 DATE: 2/8/08

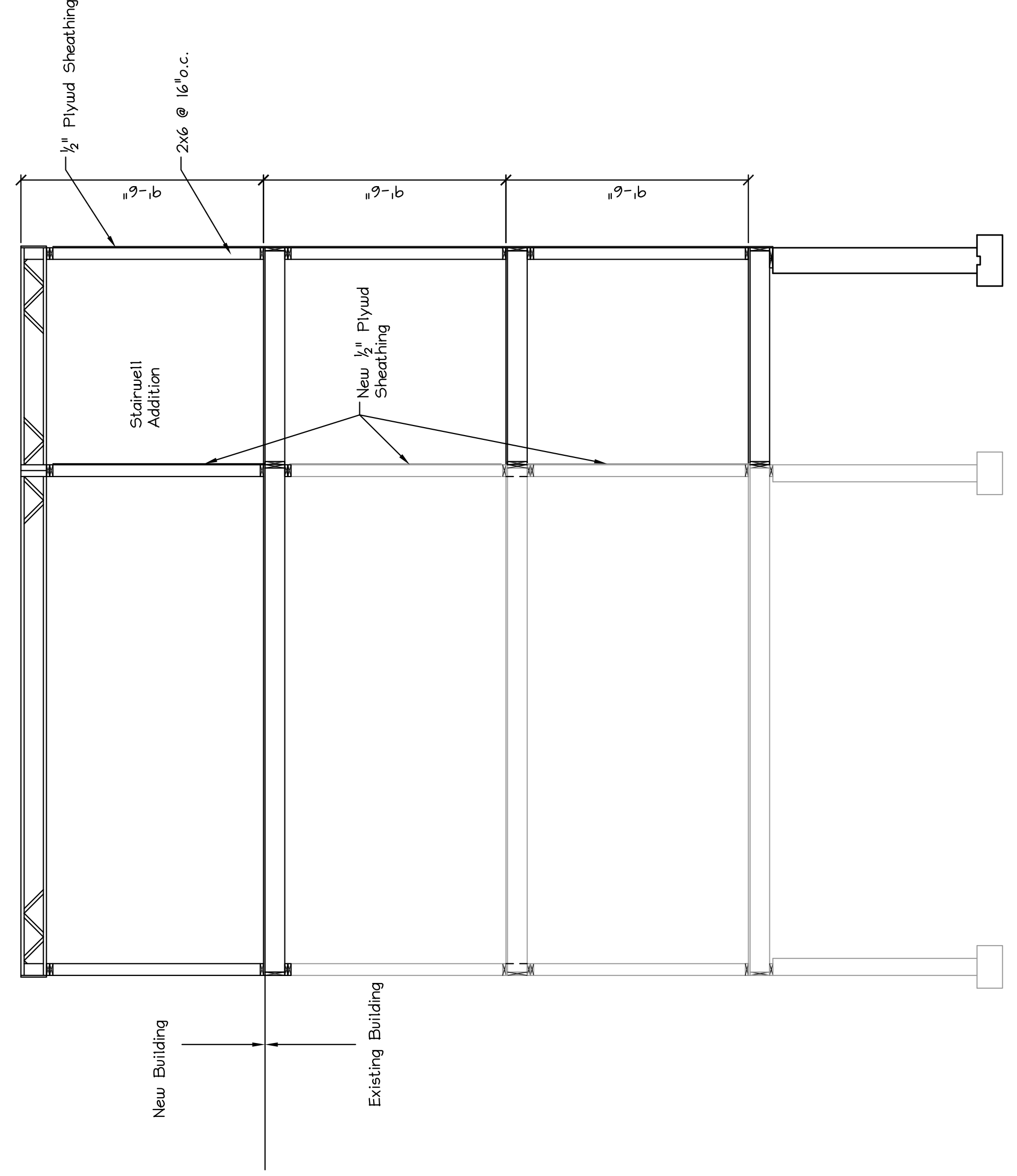
This Drawing Shall Be Considered A  
 "Contract Document" ONLY When It  
 Possesses The Engineer's Seal & Signature  
 "Progress Print = Not For Construction"

DRN BY:	DNB
CHKD BY:	BWN
DATE:	1/29/08
SCALE:	As Noted
PROJ. NO.:	2007-000

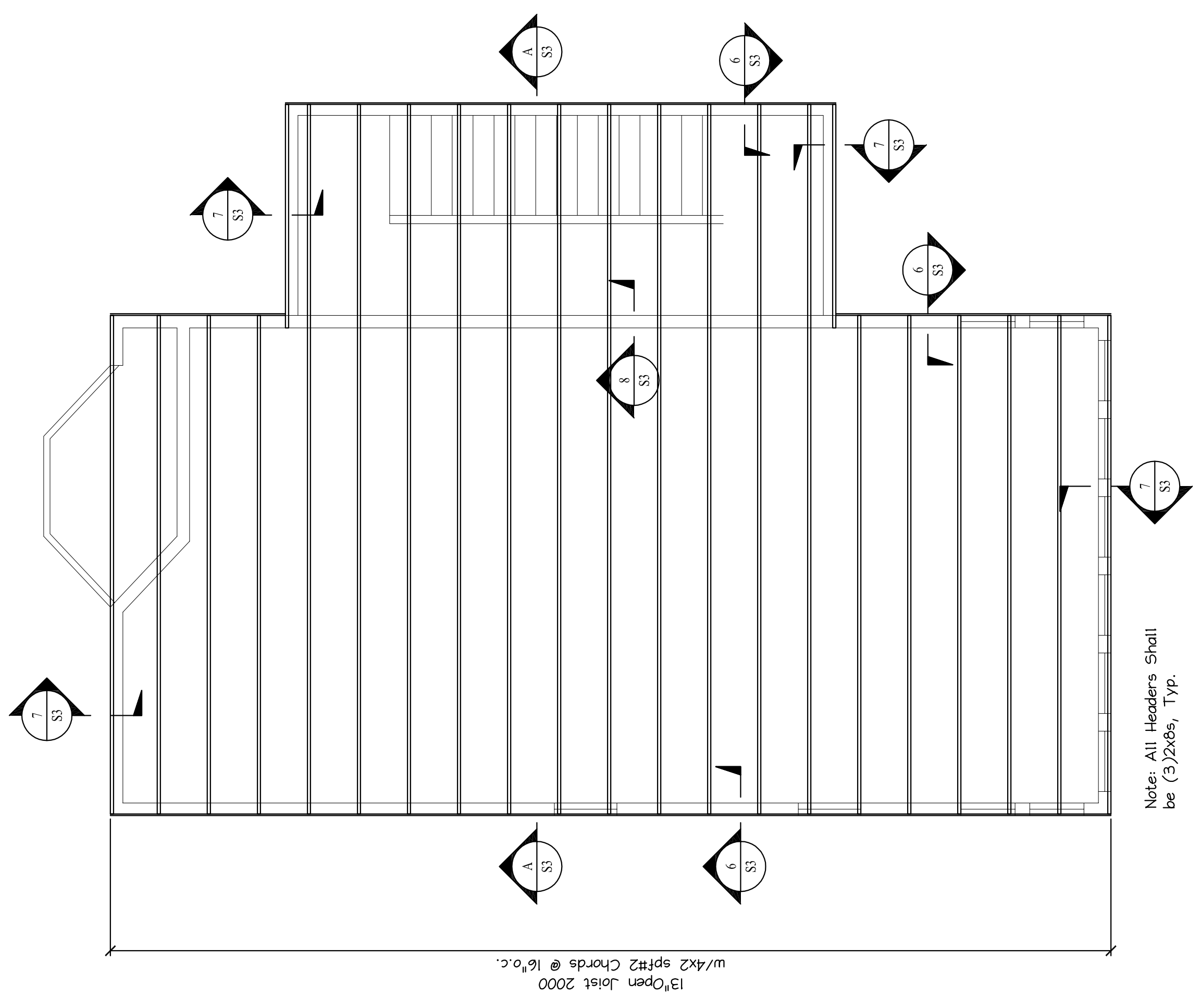
SHEET TITLE:

ROOF FRAMING  
PLANS & DETAILS

S3 OF 4

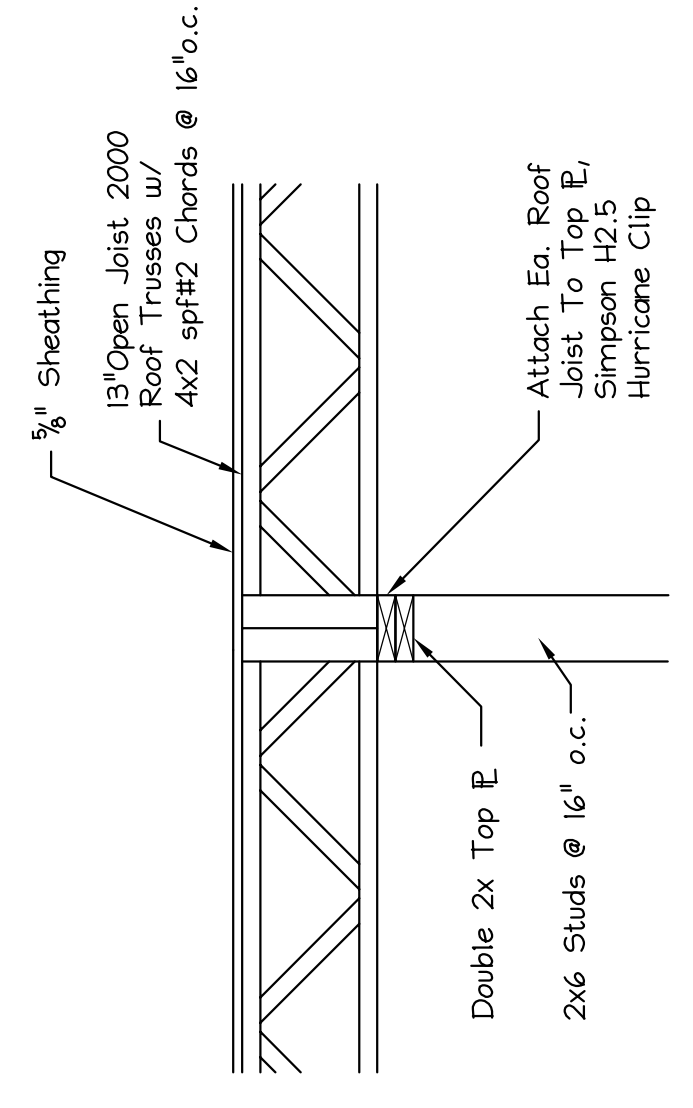


A CROSS SECTION  
SCALE: 1/4" = 1'-0"

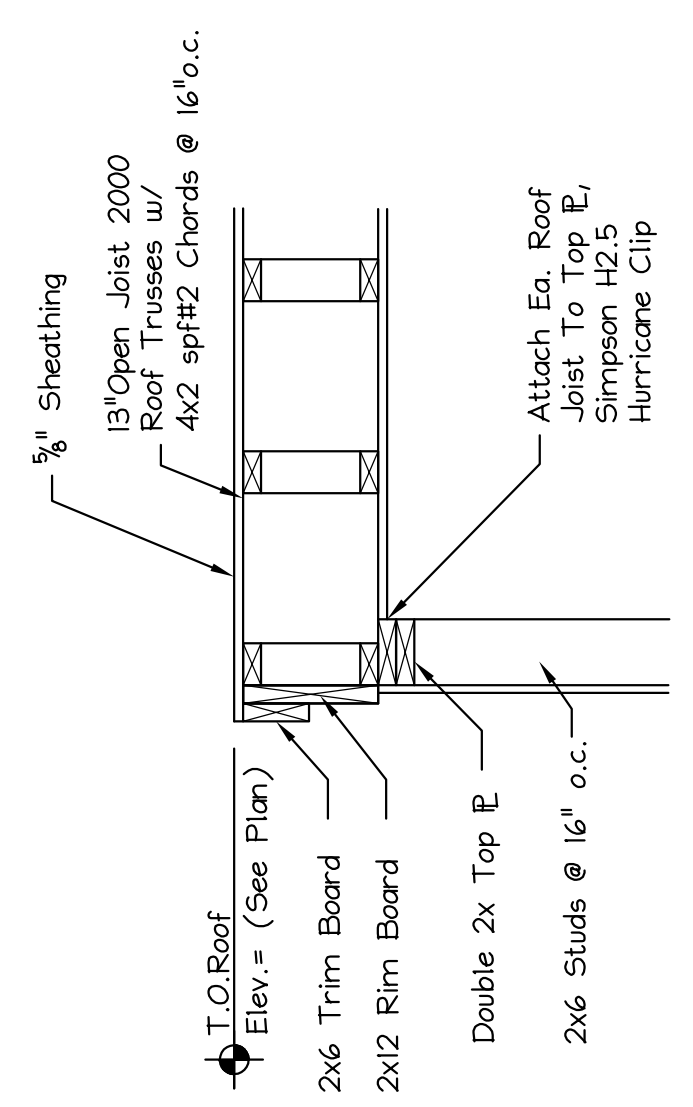


Note: All Headers Shall  
be (3)2x6s, Typ.

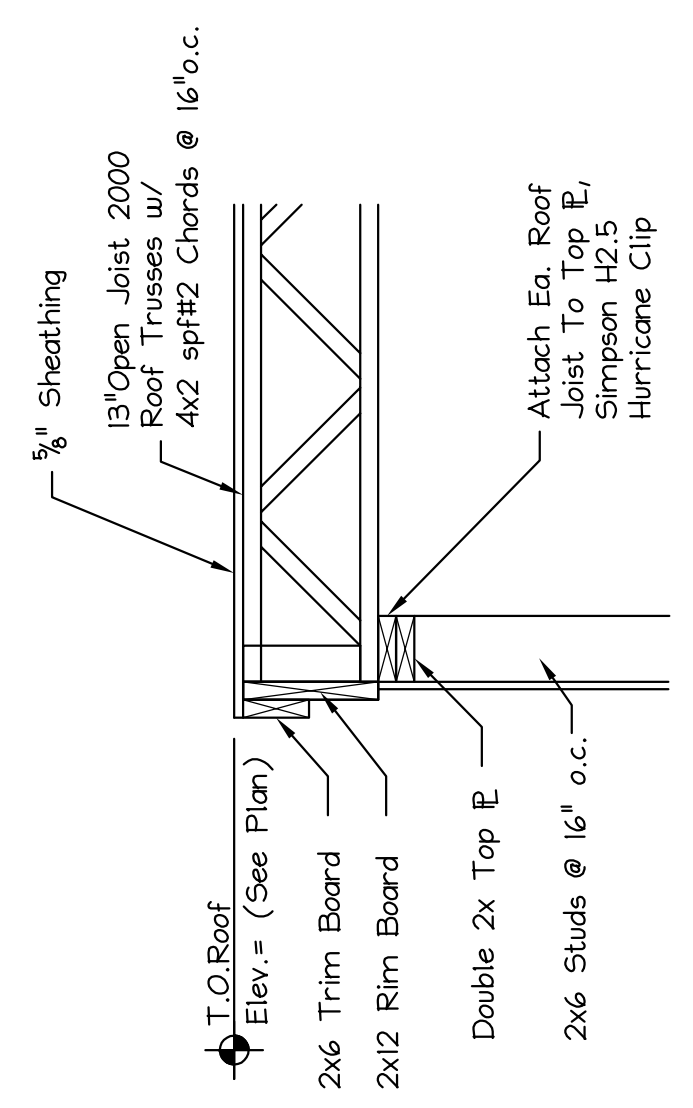
ROOF FRAMING PLAN  
SCALE: 1/4" = 1'-0"



SECTION 8  
SCALE: 3/4" = 1'-0"



SECTION 7  
SCALE: 3/4" = 1'-0"



SECTION 6  
SCALE: 3/4" = 1'-0"

**GENERAL NOTES:**

- STRUCTURAL DRAWINGS SHALL BE USED IN CONJUNCTION WITH JOB SPECIFICATIONS AND ARCHITECTURAL, MECHANICAL, ELECTRICAL, PLUMBING, AND SITE DRAWINGS. CONSULT THESE DRAWINGS FOR LOCATIONS AND DIMENSIONS OF OPENINGS, CHASES, INSETS, REGLETTS, SLEEVES, DEFLECTIONS, AND OTHER DETAILS NOT SHOWN ON THE STRUCTURAL DRAWINGS.
- ALL DIMENSIONS AND CONDITIONS MUST BE VERIFIED IN THE FIELD. ANY DISCREPANCIES SHALL BE BROUGHT TO THE ATTENTION OF THE ENGINEER BEFORE PROCEEDING WITH THE AFFECTED PART OF THE WORK.
- THE STRUCTURE IS DESIGNED TO BE SELF SUPPORTING AND STABLE AFTER THE BUILDING IS COMPLETE. IT IS THE CONTRACTOR'S SOLE RESPONSIBILITY TO DETERMINE ERECTION PROCEDURES AND SEQUENCE TO ENSURE SAFETY OF THE STRUCTURE AND PERSONNEL DURING ERECTION. THIS INCLUDES THE FORTHBRACING, SHORING, SHEETING, AND MATERIAL SHALL REMAIN THE PROPERTY OF THE CONTRACTOR AFTER COMPLETION OF THE PROJECT.
- ALL APPLICABLE FEDERAL, STATE, AND MUNICIPAL REGULATIONS SHALL BE FOLLOWED, INCLUDING THE FEDERAL DEPARTMENT OF LABOR OCCUPATIONAL SAFETY AND HEALTH ACT.
- IT IS THE OWNER'S SOLE RESPONSIBILITY TO EMPLOY ONE OR MORE SPECIAL INSPECTORS (IF REQUIRED) TO PROVIDE INSPECTIONS IN COMPLIANCE WITH ALL APPLICABLE REQUIREMENTS OF IBC 2003.

**STRUCTURAL DESIGN CRITERIA:**

- BUILDING CODE: IBC 2003 INTERNATIONAL BUILDING CODE
- DESIGN WIND LOADS - MAIN WIND FORCE RESISTING SYSTEM: = 100 MPH  
DESIGN WIND SPEED = 1.0  
BUILDING USE IMPORTANCE FACTOR (I<sub>M</sub>) = B  
BUILDING EXPOSURE CATEGORY
- SNOW: GROUND SNOW LOAD = 60 PSF  
IMPORTANCE FACTOR, I = 1.0  
EXPOSURE FACTOR, C<sub>e</sub> = 0.7  
FLAT ROOF SNOW LOAD = 42 PSF
- ROOF DEAD LOAD = 10.0 PSF  
TOP CHORD = 10.0 PSF  
BOTTOM CHORD
- DESIGN SEISMIC CRITERIA:  
EQUIVALENT LATERAL FORCE PROCEDURE  
SEI GROUP (CATEGORY) = I  
SDI = 0.328  
SDI = 0.124  
SEISMIC DESIGN CATEGORY = C  
SITE CLASS = D  
R = 7.0  
Cd = 4.5  
SEISMIC RESISTING SYSTEM = LIGHT FRAMED WALLS WITH SHEAR PANELS  
SEISMIC BASE SHEAR, V = 0.047 x W

**FOUNDATION NOTES:**

- FOUNDATION DESIGNED BASED ON AN ASSUMED MAXIMUM ALLOWABLE BEARING PRESSURE OF 2500 PSF. IT IS THE RESPONSIBILITY OF THE OWNER/CONTRACTOR TO VERIFY THE SOIL BEARING CAPACITY. NOTIFY THE ENGINEER AND STOP WORK IN CLAY, HEAVY SOILS, SILL, OR OTHER DELETERIOUS MATERIALS ARE ENCOUNTERED.
- DESIGN OF EXTERIOR FOUNDATIONS IS BASED ON A FROST DEPTH OF 4'-6" BELOW FINISHED GRADE.
- NO HORIZONTAL JOINT WILL BE PERMITTED IN THE WALLS UNLESS NOTED OTHERWISE.
- FOUNDATION CONTRACTOR SHALL SET COLUMN ANCHOR RODS AND LEVELING PLATES, INCLUDING GROUTING, AS PER THE STRUCTURAL STEEL CONTRACTOR'S DRAWINGS.
- EXCAVATING AND BACK FILLING AT NEW FOUNDATION WALLS SHALL BE DONE SUCH THAT WATER TABLE DURING CONSTRUCTION MAINTAINED ON BOTH SIDES WHERE DESIGN CONDITIONS REQUIRE DIFFERENT BACK FILL HEIGHTS. WALLS SHALL BE FIRMLY SHORED IN POSITION, HEIGHTS SHALL REMAIN UNTIL FLOORS ARE PLACED AND PROPERLY SET, TO PROVIDE FULL SUPPORT.
- CONTRACTOR SHALL BE RESPONSIBLE FOR DESIGN, INSTALLATION, AND FINAL CLEARANCE OF ANY NEEDLING, SHORING, OR BRACING OF EXISTING STRUCTURES.
- VAPOR BARRIER BENEATH SLAB SHALL BE "STEGO WRAP" OR APPROVED EQUAL.  
POLYETHYLENE IS NOT AN ALTERNATE PRODUCT.

**CONCRETE NOTES:**

- ALL CONCRETE WORK SHALL CONFORM TO ACI-318.
- ALL CONCRETE EXCEPT INTERIOR AND EXTERIOR SLABS ON GROUND SHALL BE 3000 PSI AT 28 DAYS AND A MAXIMUM SLUMP OF 4". ALL INTERIOR AND EXTERIOR SLABS ON GROUND SHALL BE 4000 PSI AT 28 DAYS AND A MAXIMUM SLUMP OF 4". MAXIMUM SIZE AGGREGATE SHALL BE ¾" (WALL/FOOTINGS) AND 1½" (SLABS ON GROUND).
- CONCRETE TO REMAIN EXPOSED TO WEATHER SHALL BE AIR ENTRAINED. NO AIR ENTRAINMENT IN INTERIOR CONCRETE SLABS.
- CONCRETE SHALL NOT BE PLACED IN WATER OR ON FROZEN GROUND.
- REINFORCING BARS SHALL CONFORM TO ASTM A615 GRADE 60. DEFORMED BARS SHALL BE DETAILED AND FABRICATED IN ACCORDANCE TO ACI-318 LATEST EDITION, AND PLACED IN ACCORDANCE WITH ACI-318.
- SPLICES OF REINFORCING BARS SHALL BE IN ACCORDANCE WITH ACI-318.
- ANCHOR RODS SHALL CONFORM TO ASTM F1554-36.
- HOOKS NOT DIMENSIONED SHALL BE ACI STANDARD HOOKS.
- CONCRETE COVER OVER REINFORCEMENT SHALL BE AS FOLLOWS:  
CONCRETE CAST AGAINST EARTH = 3"  
CONCRETE EXPOSED TO EARTH OR WEATHER = 1½"  
CONCRETE NOT EXPOSED TO EARTH OR WEATHER = ¾"

**WOOD FRAMING NOTES:**

- STRUCTURAL LUMBER: SPRUCE PINE FIR NO.1/NO.2 OR BETTER  
Fb = 675 PSI E<sub>x</sub> = 70 PSI  
Fc = 1150 PSI E<sub>y</sub> = 1400000 PSI
- DESIGN CODE: IBC 2003 / NATIONAL DESIGN SPECIFICATIONS FOR WOOD CONSTRUCTION BY THE NATIONAL FOREST PRODUCTS ASSOCIATION.
- NAILING REQUIREMENTS FOR PLYWOOD SHEATHING:  
PROVIDE 8d NAILS AS FOLLOWS UNLESS SHOWN OTHERWISE:  
8d NAILS @ 8" o.c. ALONG INTERMEDIATE MEMBERS  
PROVIDE BLOCKING AT ALL PANEL EDGES
- SPIKE TOGETHER ALL FRAMING MEMBERS WHICH ARE BUILT-UP USING MULTIPLE 2x LUMBER.
- PROVIDE GALVANIZED METAL TIES EQUAL TO SIMPSON H2.5 HURRICANE TIES BETWEEN ROOF RAFTERS OR TRUSSES AND SUPPORTING WALL MEMBERS, UNLESS SHOWN OTHERWISE.  
PROVIDE GALVANIZED METAL CONNECTORS EQUAL TO SIMPSON TC26 TRUSS CONNECTOR BETWEEN ALL ROOF SCISSOR TRUSSES AND SUPPORTING WALL MEMBERS, UNLESS SHOWN OTHERWISE.
- PROVIDE PRESSURE TREATED LUMBER FOR ALL LUMBER IN CONTACT WITH MASONRY OR CONCRETE.
- ROOF SHEATHING: 5/8" APA RATED SHEATHING, EXTERIOR OR STRUCTURAL I OR II RATED SHEATHING, SPAN RATING 32/16 (TRUSSES), 24/12 (JOISTS). INSTALL SHEETS WITH FACE GRAIN DIRECTION PERPENDICULAR TO SUPPORTING MEMBERS.
- PROVIDE ½" THRU BOLTS STAGGERED @ 24" O.C. FOR ATTACHMENT OF 2x NAILER AT TOP OR BOTTOM OF WF BEAM (COORDINATE w/ PLANS)
- WALL CONSTRUCTION - FIRST FLOOR:  
STUD HEIGHT UP TO 10'-6"  
2x STUD PLATES  
½" CDX SHEATHING  
FRAMING AS SHOWN ON PLANS
- ROOF CONSTRUCTION  
FRAMING AS SHOWN ON PLANS  
APA RATED PLYWOOD SHEATHING (REFER TO NOTE #7)  
PROVIDE 8d NAILS @ 12" o.c. ALONG FRAMING MEMBERS.
- ALL NAILS, SPIKES, BOLTS, ETC., FASTENING MEMBERS TO PRESSURE GALVANIZED LUMBER SHALL BE EITHER STAINLESS STEEL OR HEAVY GALVANIZED.

**WOOD TRUSS NOTES:**

- DESIGN CRITERIA FOR ROOF SYSTEM:  
A. LIVE LOAD (SNOW) PER STRUCTURAL DESIGN CRITERIA  
B. DEAD LOAD TOP CHORD PER STRUCTURAL DESIGN CRITERIA  
C. WIND LOAD PER STRUCTURAL DESIGN CRITERIA  
D. LOAD COMBINATIONS PER IBC 2003 INTERNATIONAL BUILDING CODE  
E. ALLOWABLE DEFLECTION = L/360  
F. PROVIDE BOTTOM CHORD CAMBER EQUAL TO THE TRUSS DEAD LOAD DEFLECTION.
- MATERIALS:  
A. STRESS GRADED LUMBER, METAL PLATE CONNECTORS
- APPLICABLE SPECIFICATIONS:  
A. NATIONAL DESIGN SPECIFICATIONS FOR STRESS GRADE LUMBER AND ITS FASTENING (NDS).  
B. MOST RECENT AISC STANDARDS.  
C. DESIGN SPECIFICATIONS FOR LIGHT METAL PLATE CONNECTED WOOD TRUSSES. THE LATEST EDITION.
- BRACING:  
A. TRUSS MANUFACTURER SHALL SPECIFY ALL BRACING FOR BOTH TEMPORARY CONSTRUCTION LOADING AND FOR PERMANENT LATERAL SUPPORT OF GABLE END TRUSS AND COMPRESSION MEMBERS, AS WELL AS ERECTION PROCEDURES.  
B. MINIMUM BRACING REQUIREMENTS AND INSTRUCTIONS FURNISHED BY TRUSS MANUFACTURER SHALL INCLUDE AND CONFORM TO HB-91.  
C. ALL TEMPORARY AND PERMANENT BRACING SHALL BE MINIMUM 2x4 SPP No. 2 MATERIAL CONNECTED WITH MINIMUM 2x4 NAILS AT TRUSS CONNECTIONS UNLESS OTHERWISE SPECIFIED BY TRUSS MANUFACTURER.  
D. THE CONTRACTOR SHALL COMPLY WITH THE "COMPLEMENTARY AND RECOMMENDATIONS FOR HANDLING, INSTALLING, AND BRACING METAL PLATE CONNECTED WOOD TRUSSES, HB-91" IT IS THE RESPONSIBILITY OF THE INSTALLER/CONTRACTOR TO PROPERLY RECEIVE, UNLOAD, STORE, HANDLE, INSTALL, AND BRACE TRUSSES TO PROTECT LIFE AND PROPERTY.
- ALL FABRICATED TRUSSES SHALL RECEIVE THE TPI MARK OF APPROVAL IN ACCORDANCE WITH THE TRUSS PLATE INSTITUTE PROCEDURES.
- SUBMIT TRUSS SHOP DRAWINGS FOR REVIEW PRIOR TO TRUSS MANUFACTURE.
- ANY VARIATIONS BY THE TRUSS MANUFACTURER FROM THESE DRAWINGS INCLUDING BUT NOT LIMITED TO THE NEED FOR BIRD MOUTHS SHALL BE CLEARLY NOTED ON THE TRUSS DRAWINGS. APPROPRIATE DETAILS SHALL BE PROVIDED, WHICH SHOW SUCH VARIATIONS. ALL VARIATIONS SHALL BE APPROVED BY THE ENGINEER.

#	DATE	DESCRIPTION

CURRENT REVISION

MAINE

GLENN MORSE  
BUILDING RENOVATION

PORTLAND

Copyright © 2006 MacLeod Structural Engineers, P.A.  
 Reproduction or This Document Without the Written Consent of MacLeod Structural Engineers, P.A. is Prohibited.

**M**

404 Main Street  
 Gorham, Maine 04038  
 phone: (207) 839-0980  
 fax: (207) 839-9982

**THIS DRAWING IS ISSUED**  
 SHEETNO: F04  
 DATE: 2/8/08

This Drawing Shall Be Considered A "Contract Document" ONLY When It Possesses The Engineer's Seal & Signature. It Shall Not Be Used For Construction Without The "Progress Print" = Not For Construction"

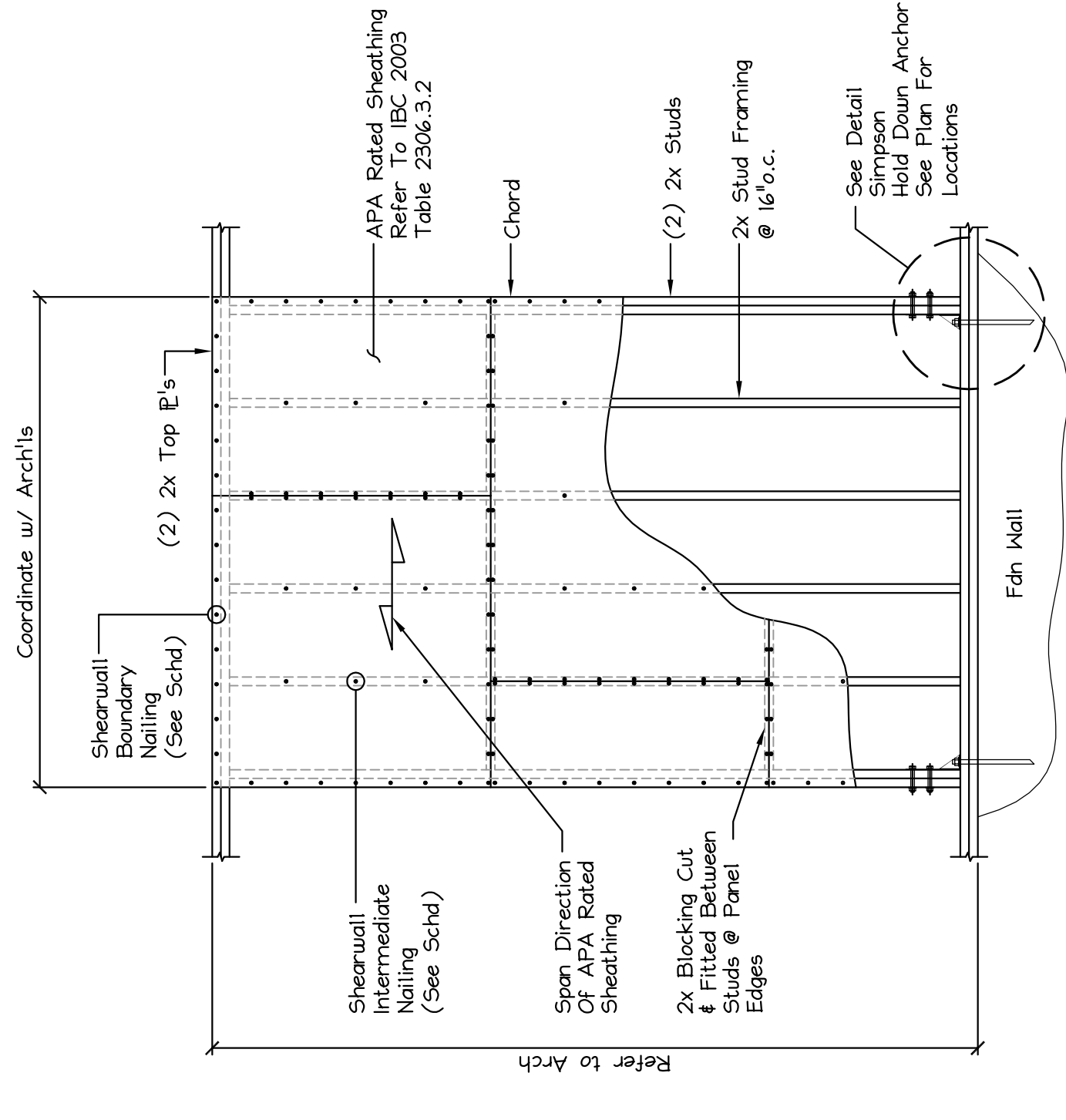
DRN BY:	DNB
CHKD BY:	BWN
DATE:	1/29/08
SCALE:	As Noted
PROJ. NO.:	2007-300

**SHEET TITLE:**

NOTES

**DETAIL - SHEATHING NAILING PLAN (ROOF OR FLOOR)**

SCALE: 1/2" = 1'-0"



**NAILING SCHEDULE:**  
 Shearwall Boundary:  
 8d Nails @ 6" o.c.  
 Blocked Panel Edges:  
 8d Nails @ 6" o.c.  
 Intermediate Support (Field):  
 8d Nails @ 12" o.c.

**DETAIL - SHEAR WALL**

SCALE: 1/2" = 1'-0"