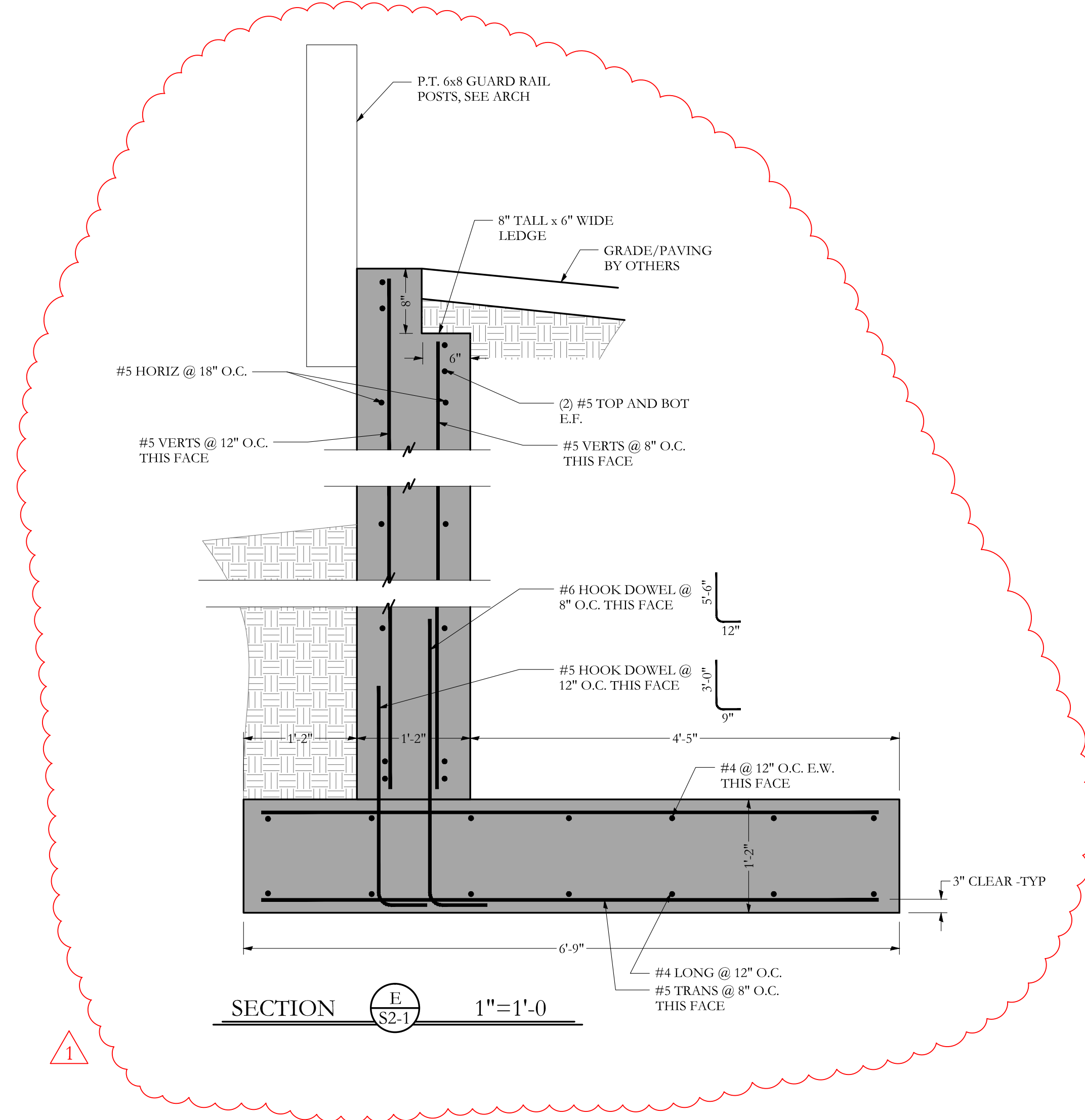
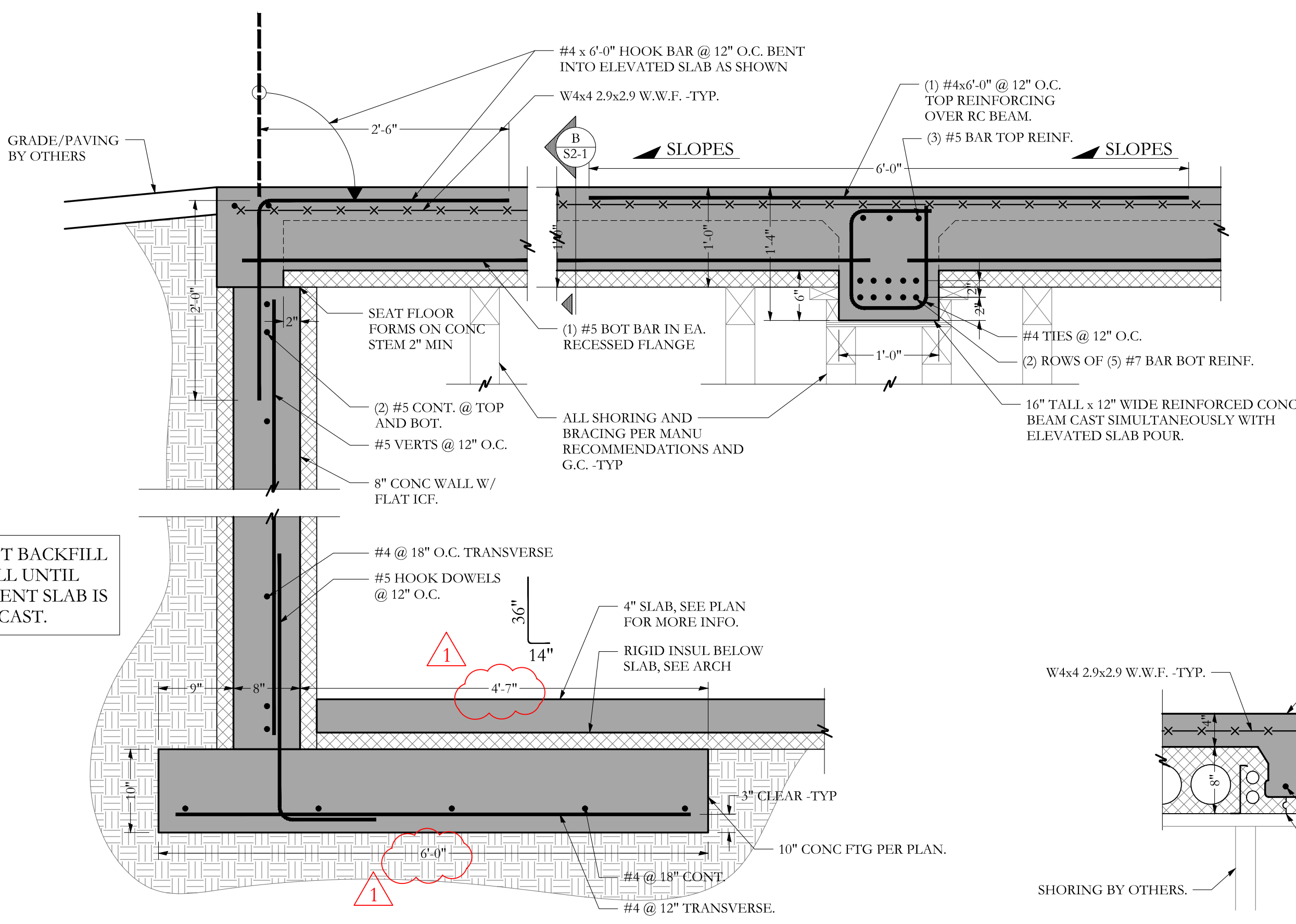


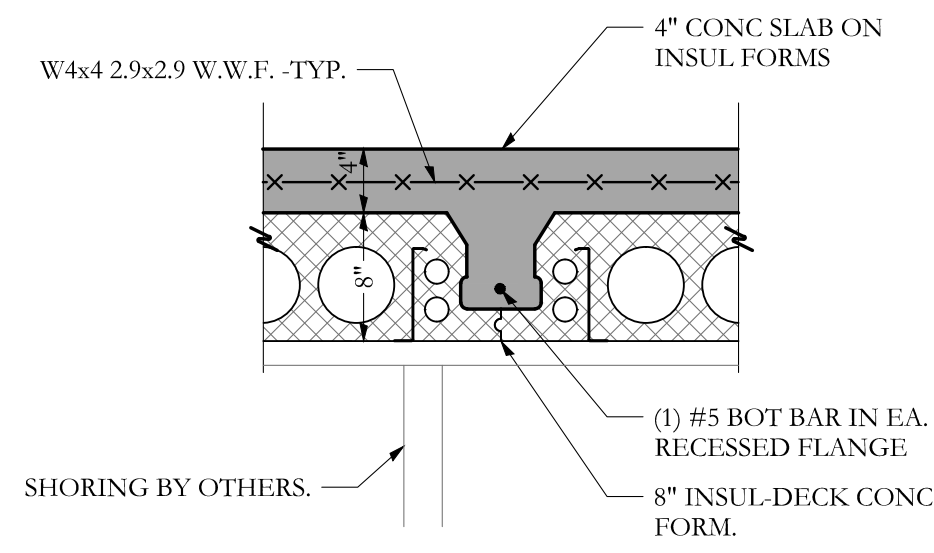
SECTION **D** S2-1 1"=1'-0



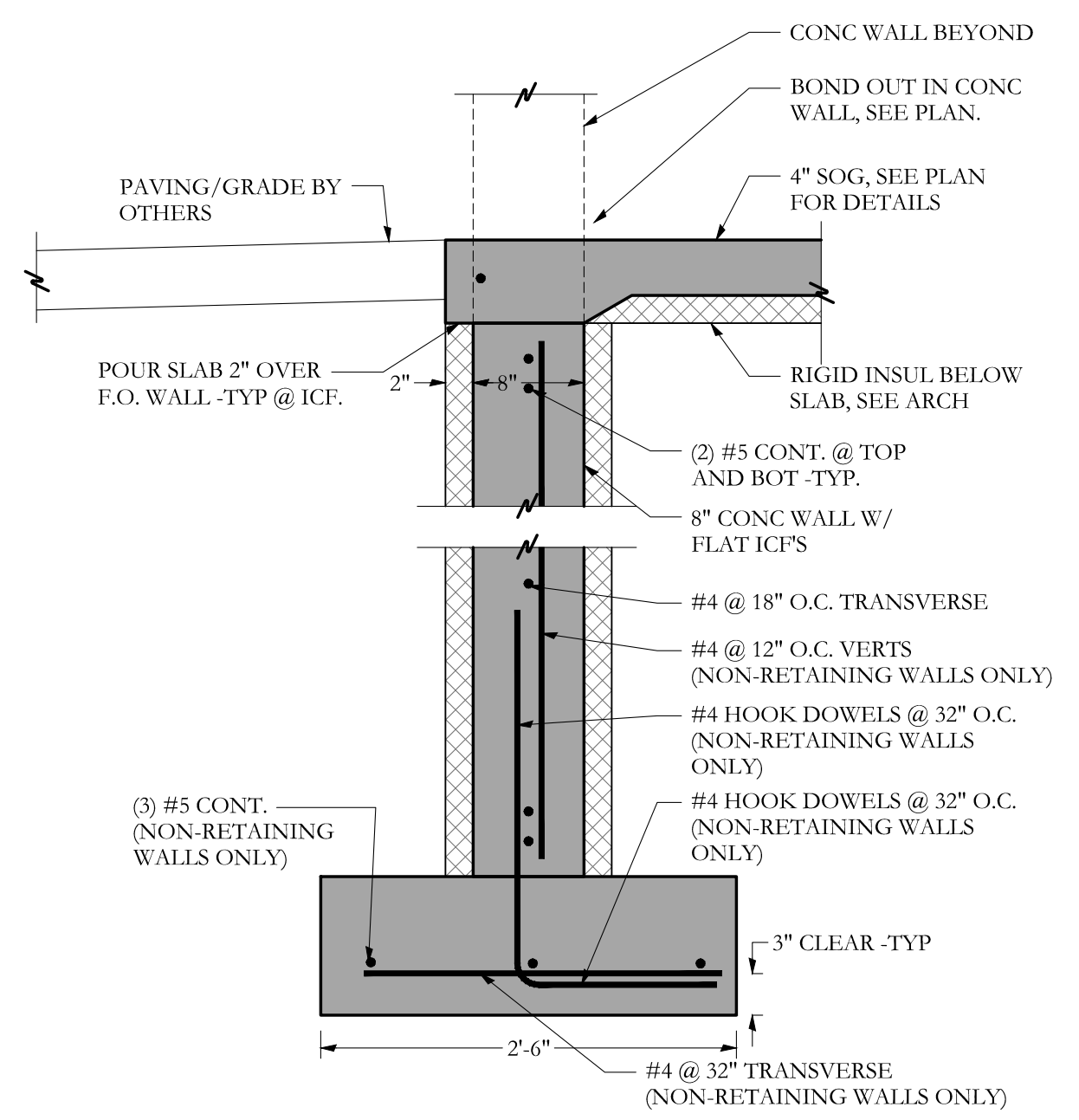
SECTION **E** S2-1 1"=1'-0



SECTION **A** S2-1 1"=1'-0



SECTION **B** S2-1 1"=1'-0



SECTION **C** S2-1 1"=1'-0

DO NOT BACKFILL WALL UNTIL BASEMENT SLAB IS CAST.

