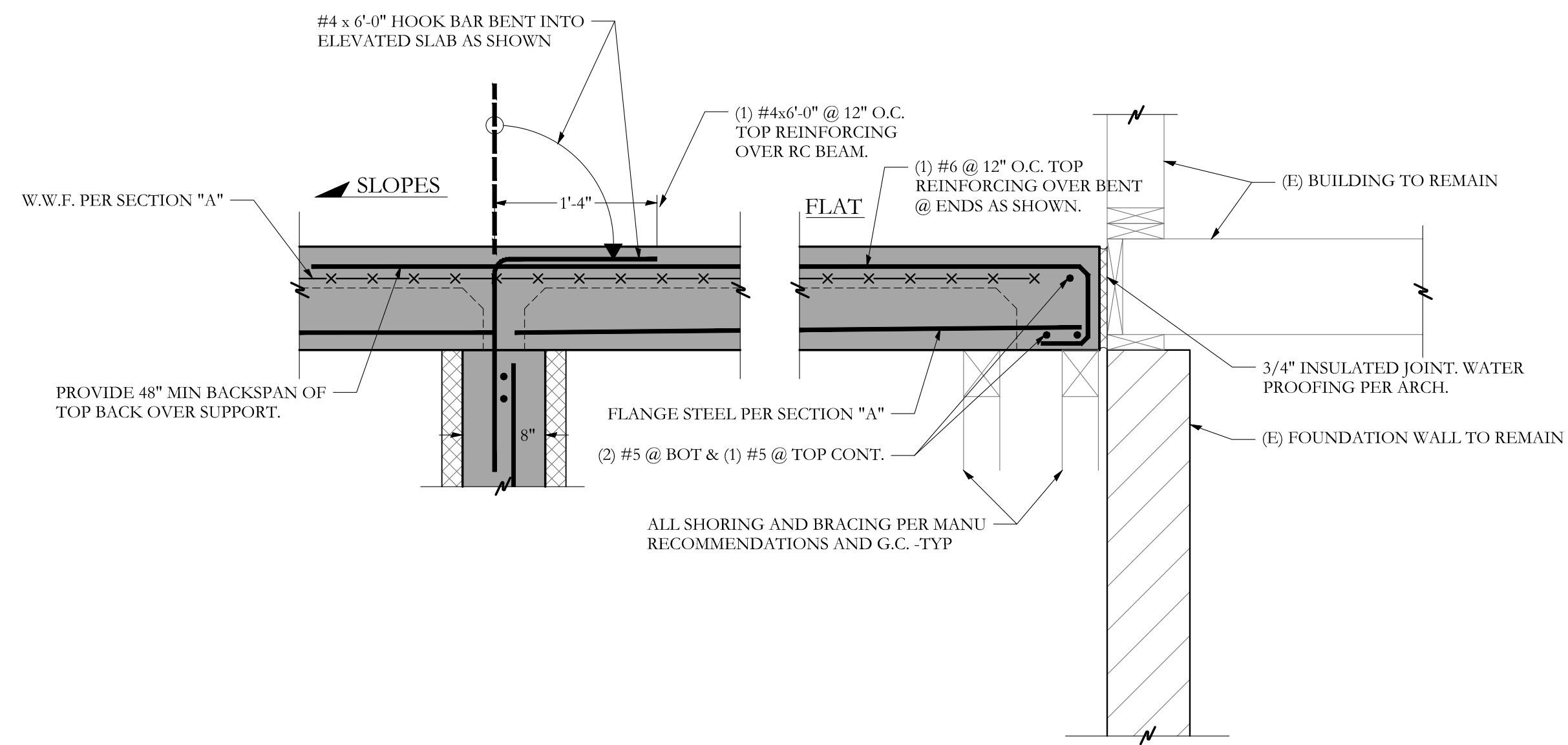
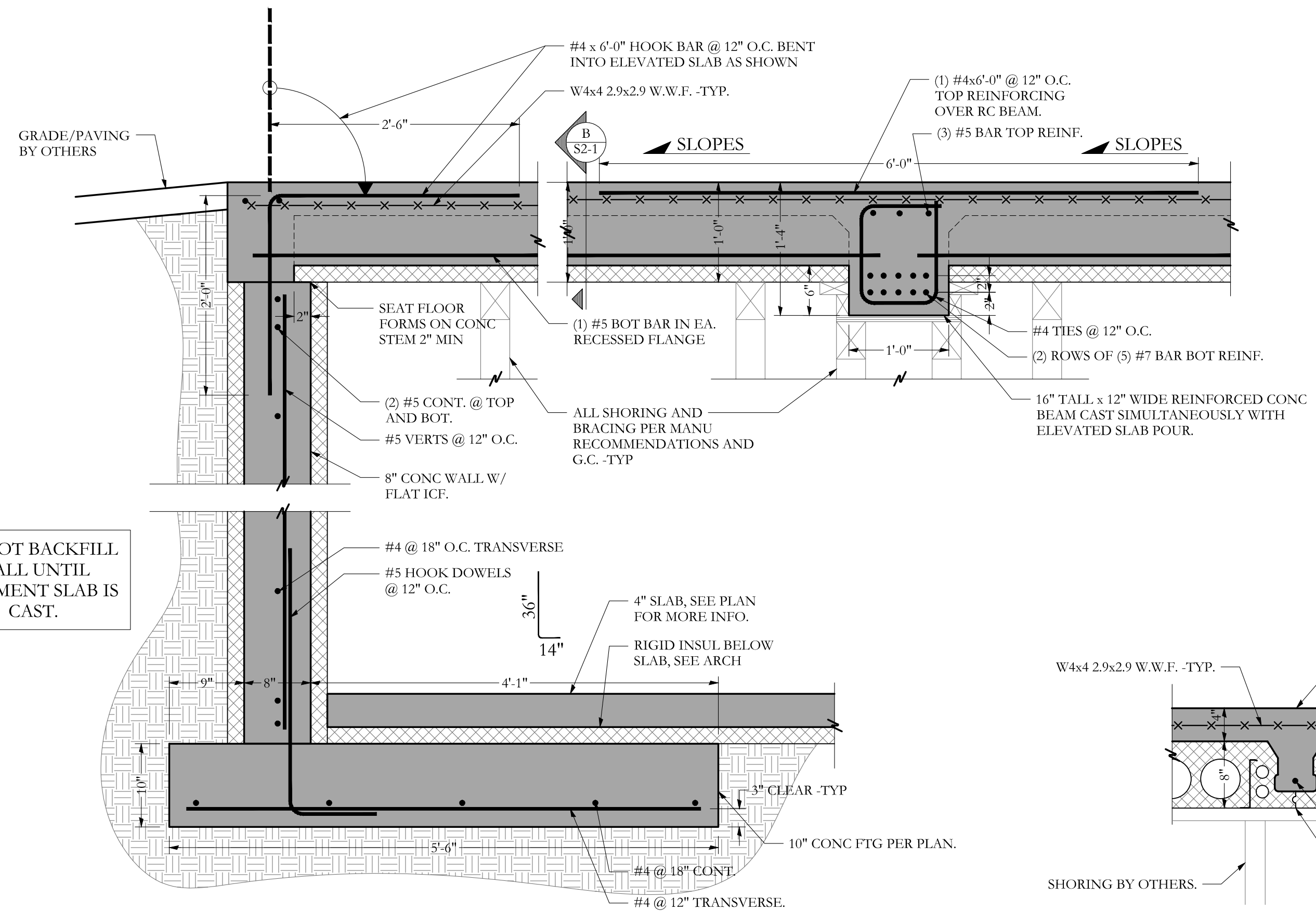


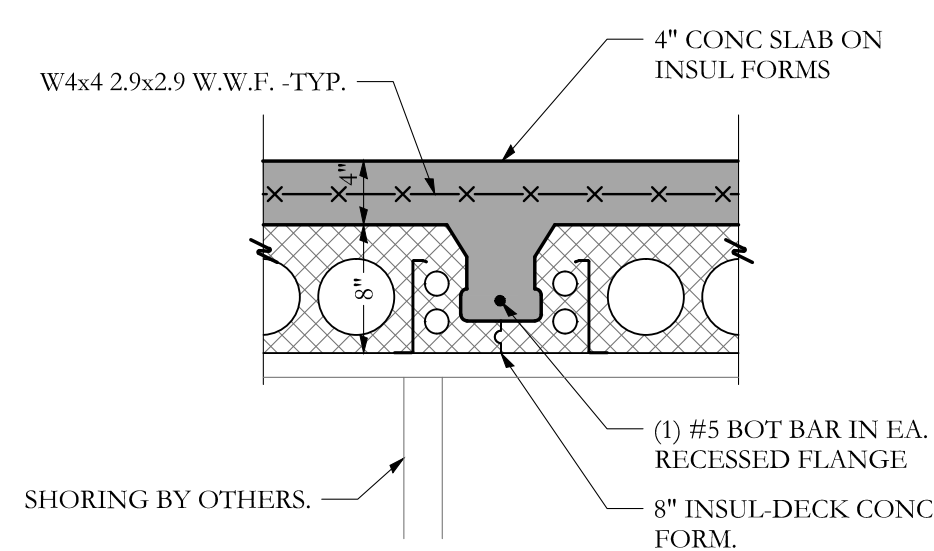
COPYRIGHT: Reuse or reproduction of the contents of this document is not permitted without written permission of Structural Integrity Consulting Engineers Inc.



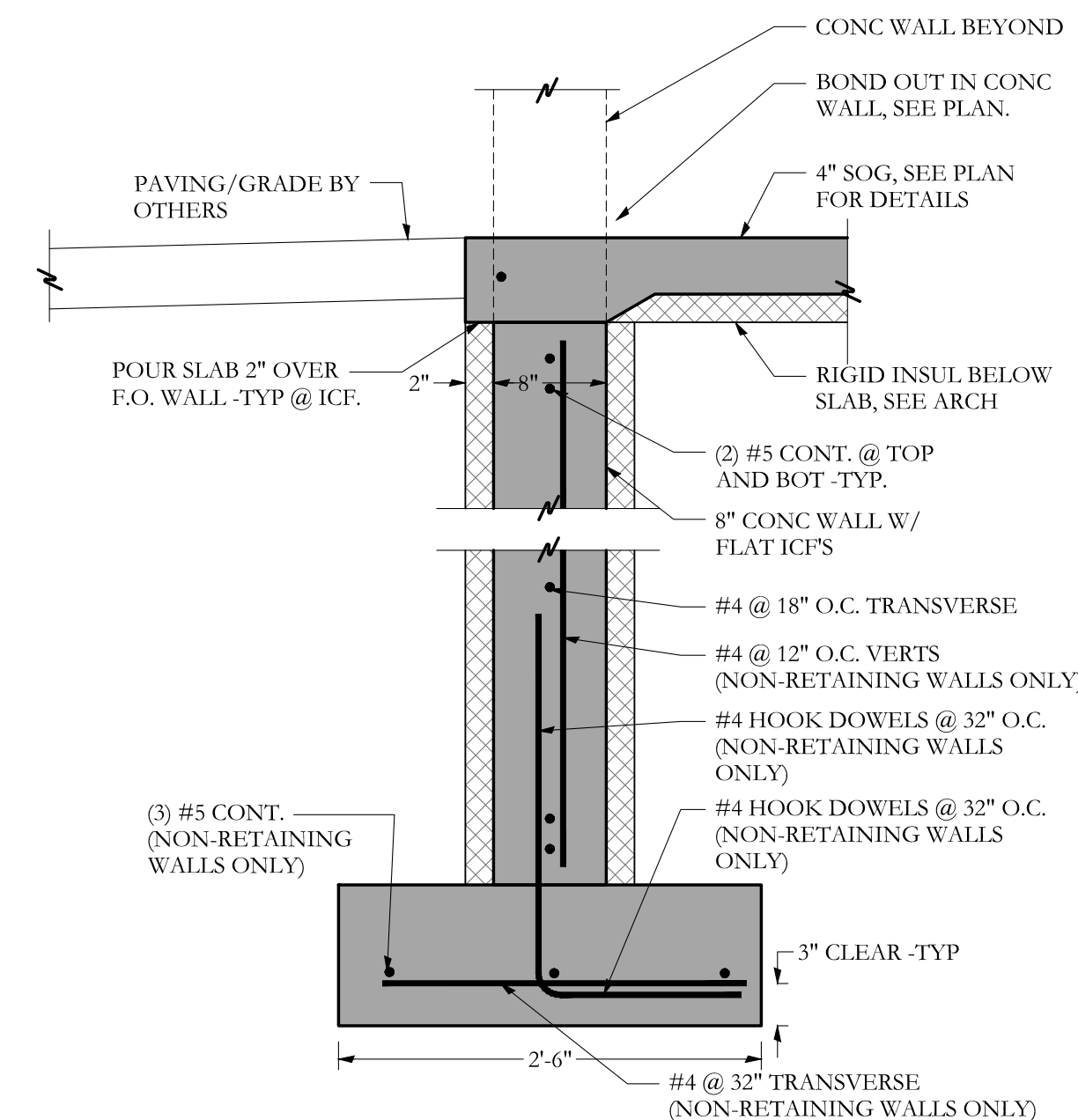
SECTION **D** S2-1 1"=1'-0



SECTION **A** S2-1 1"=1'-0



SECTION **B** S2-1 1"=1'-0



SECTION **C** S2-1 1"=1'-0

