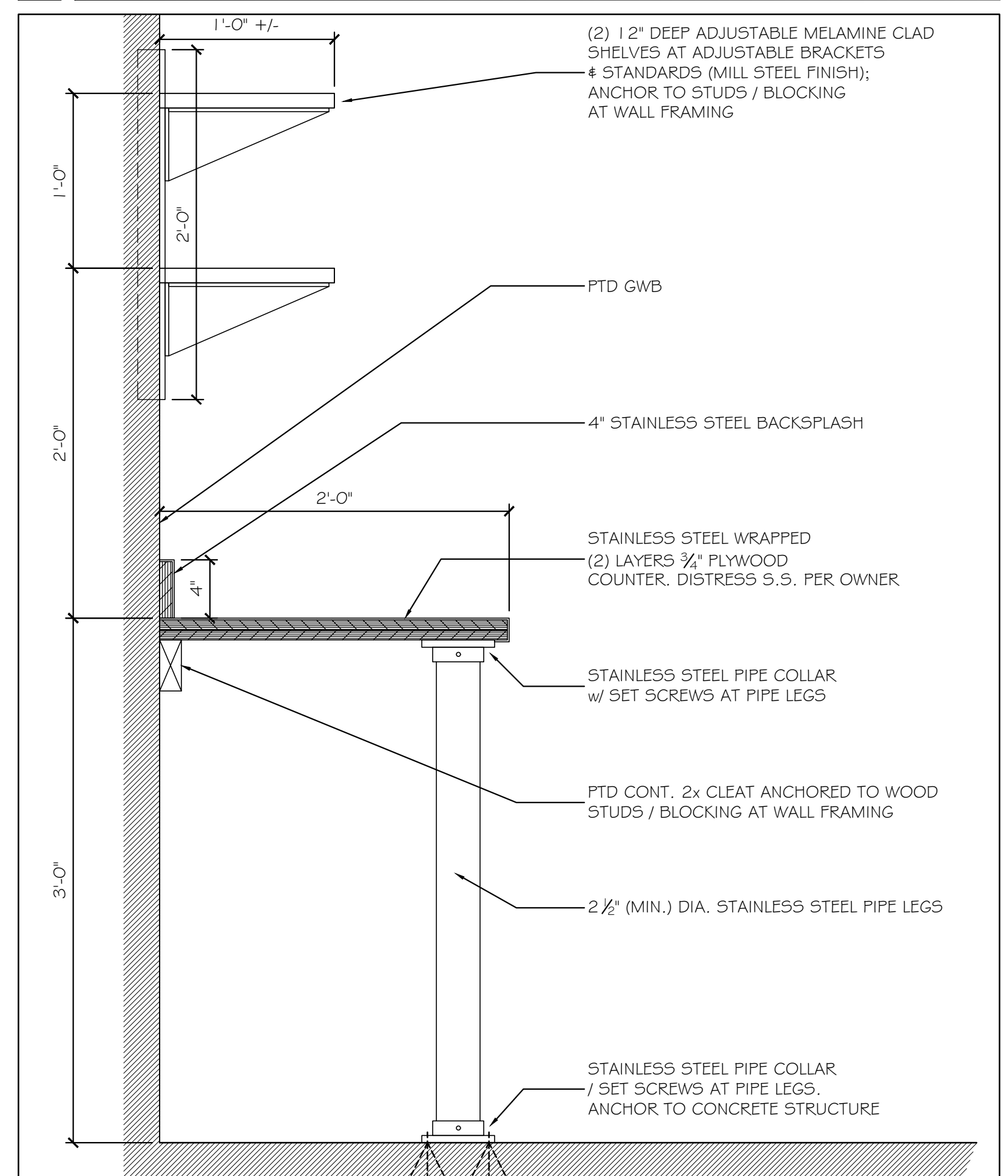
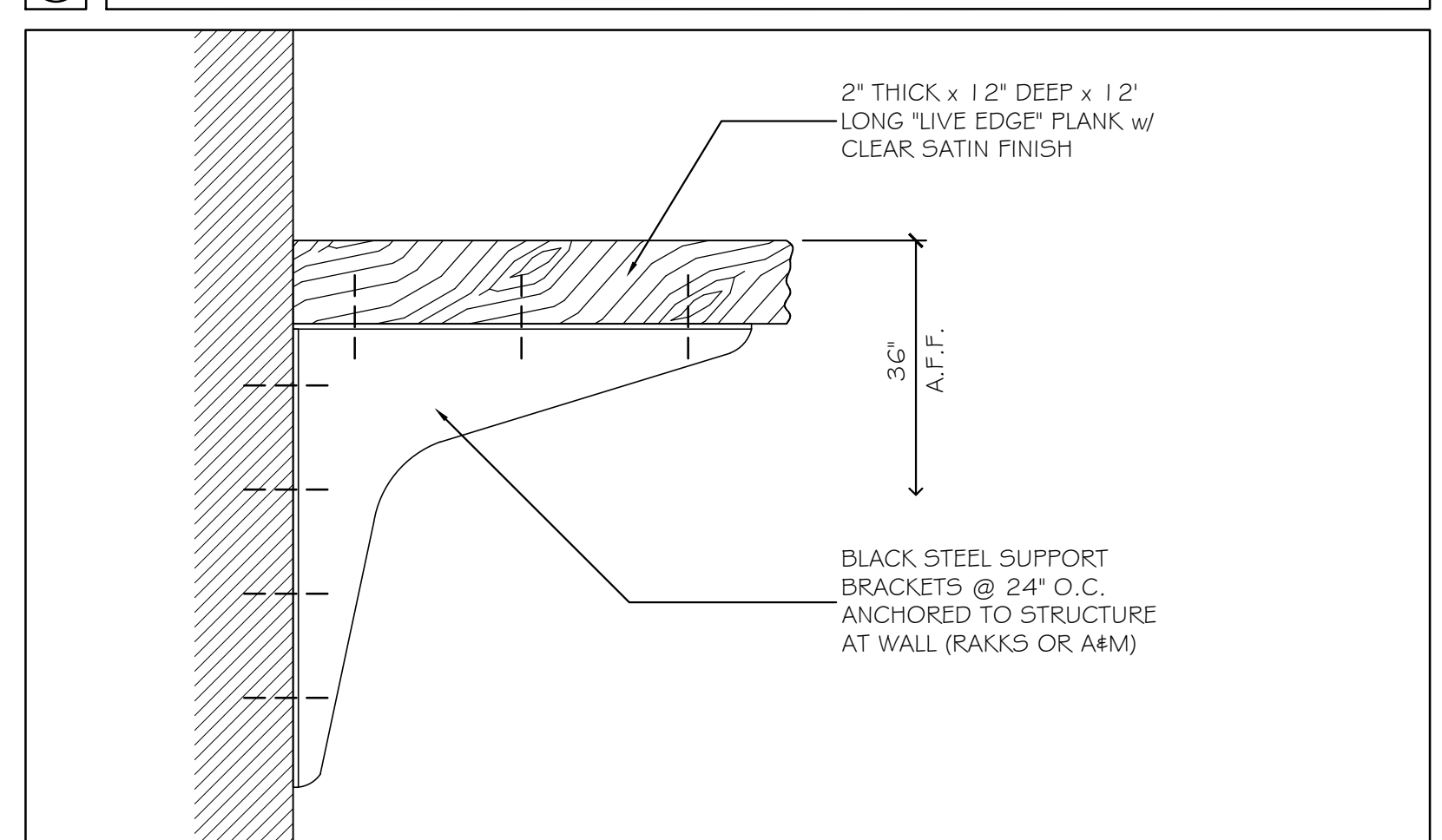


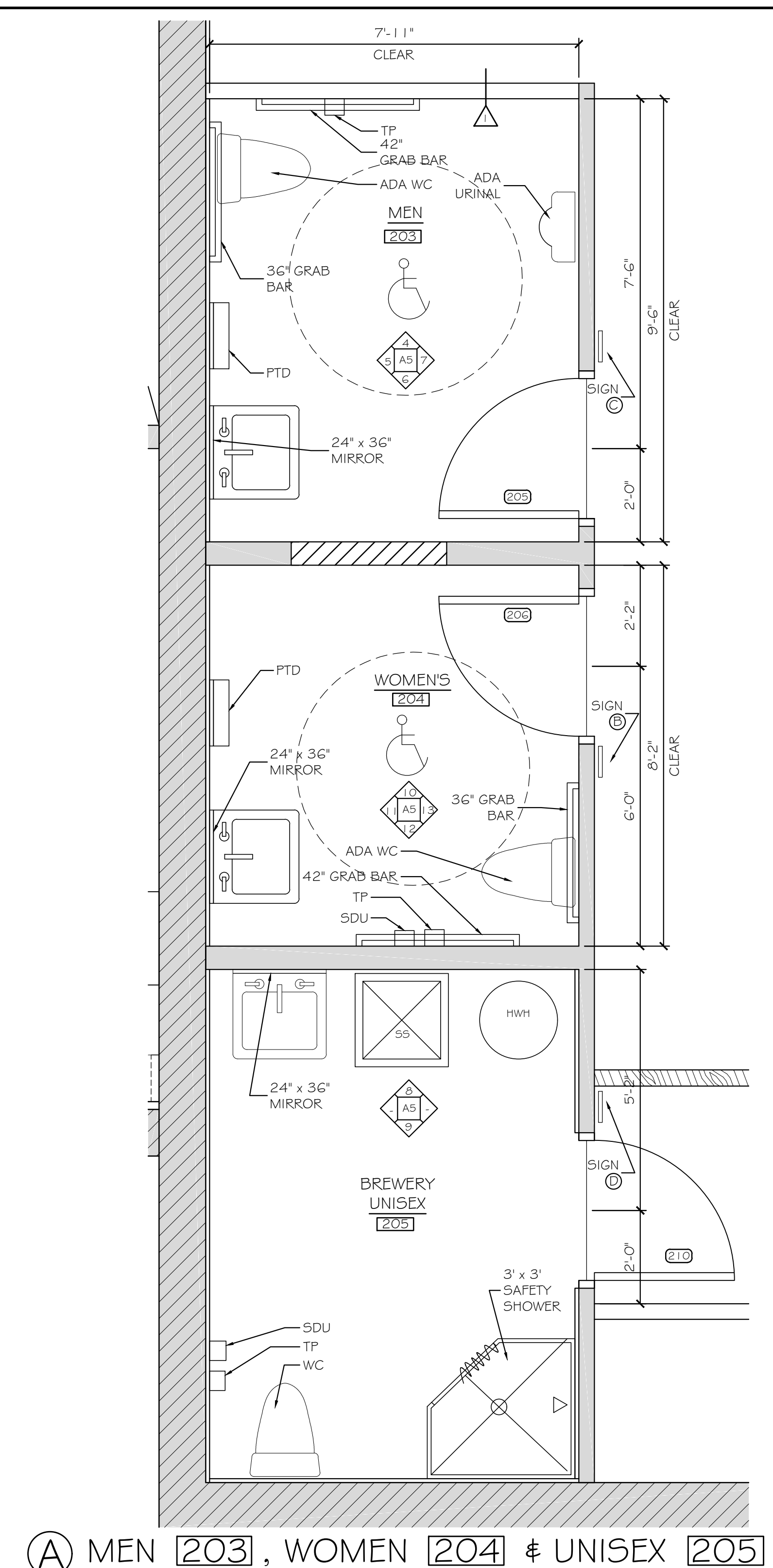
① FRONT BAR SECTION 1/2" = 1'-0"



② BACK BAR SECTION 1/2" = 1'-0"

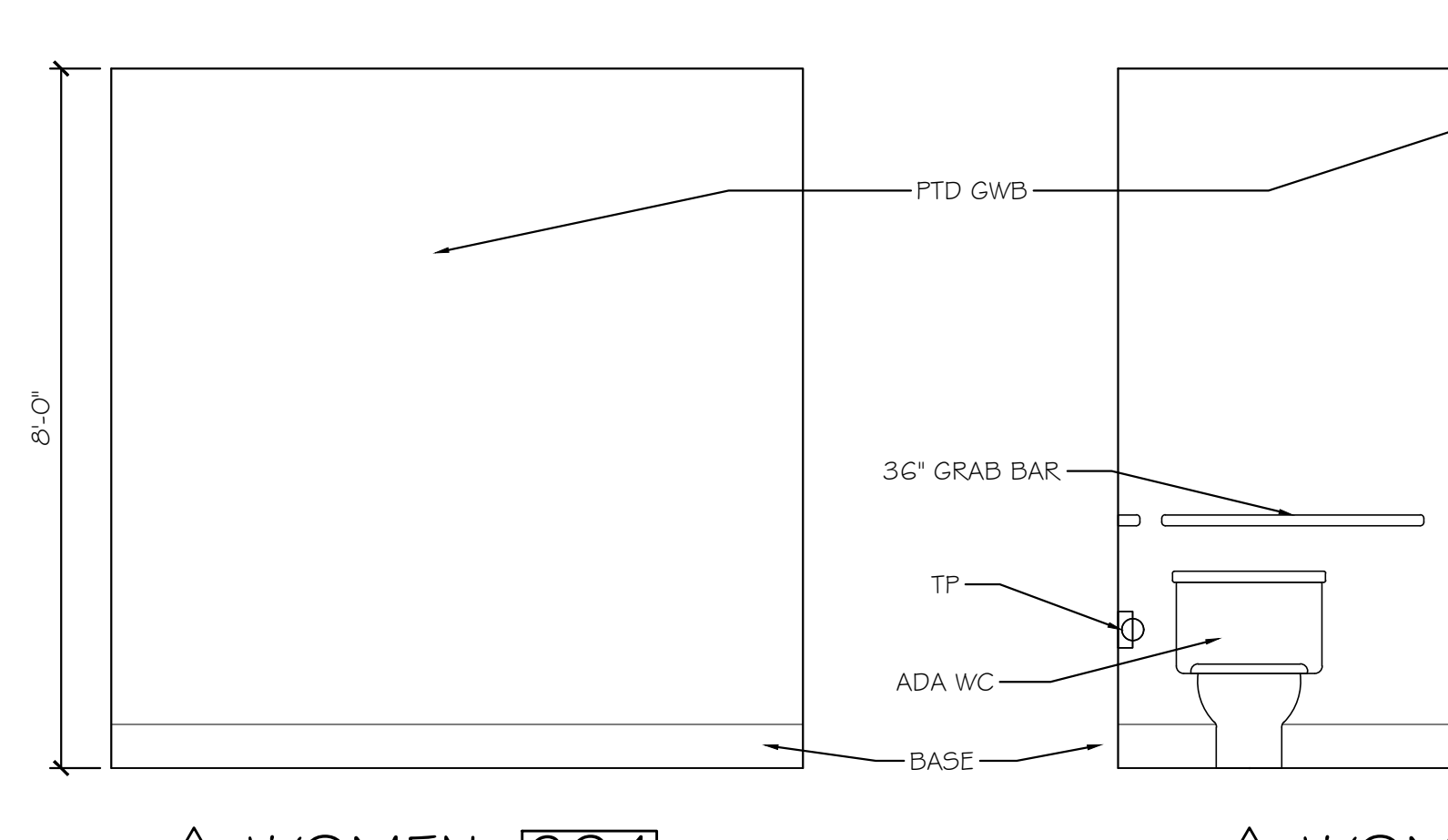


③ 12" DRINK RAIL DETAIL 3" = 1'-0"

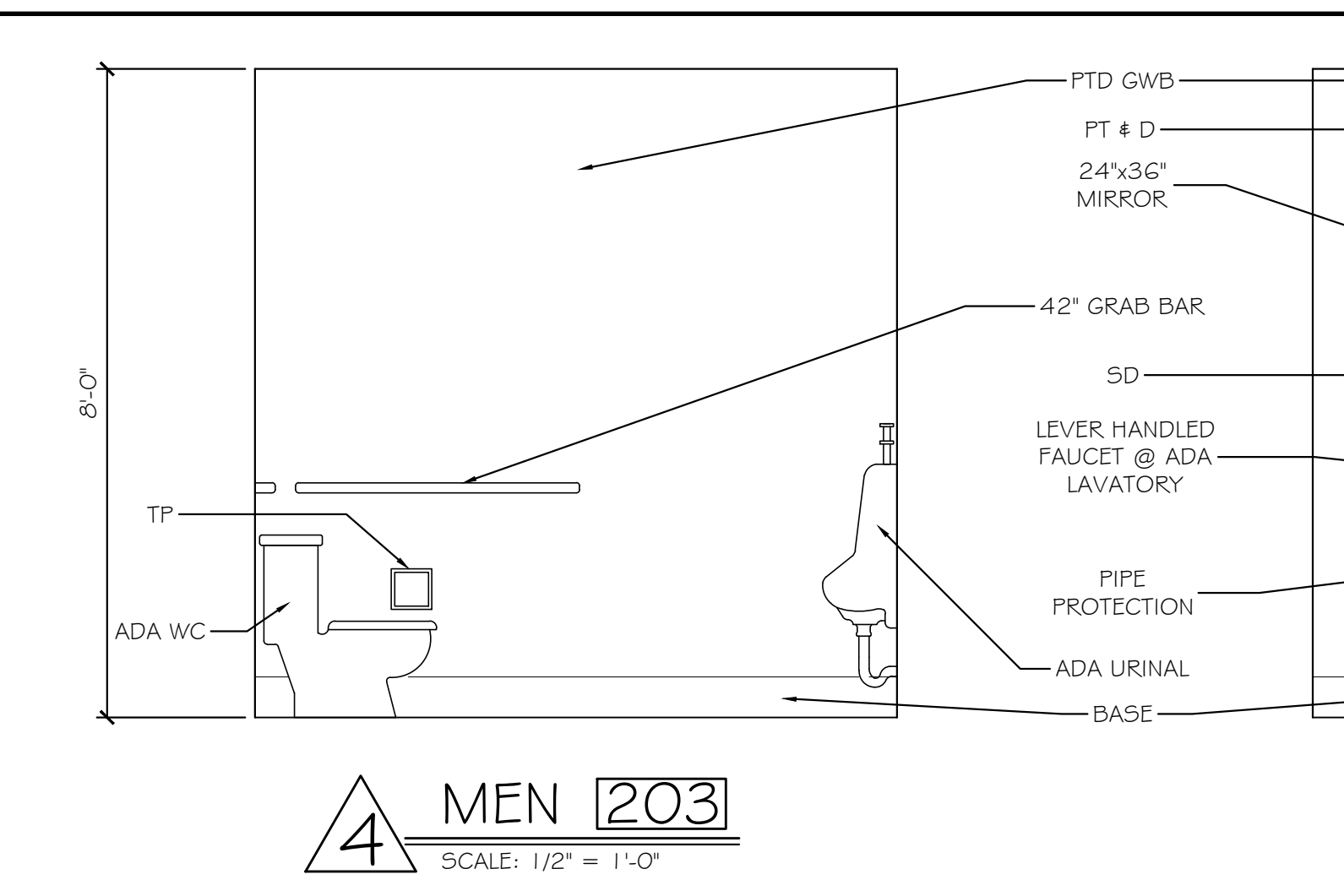


④ MEN 203, WOMEN 204 & UNISEX 205 SCALE: 1/2" = 1'-0"

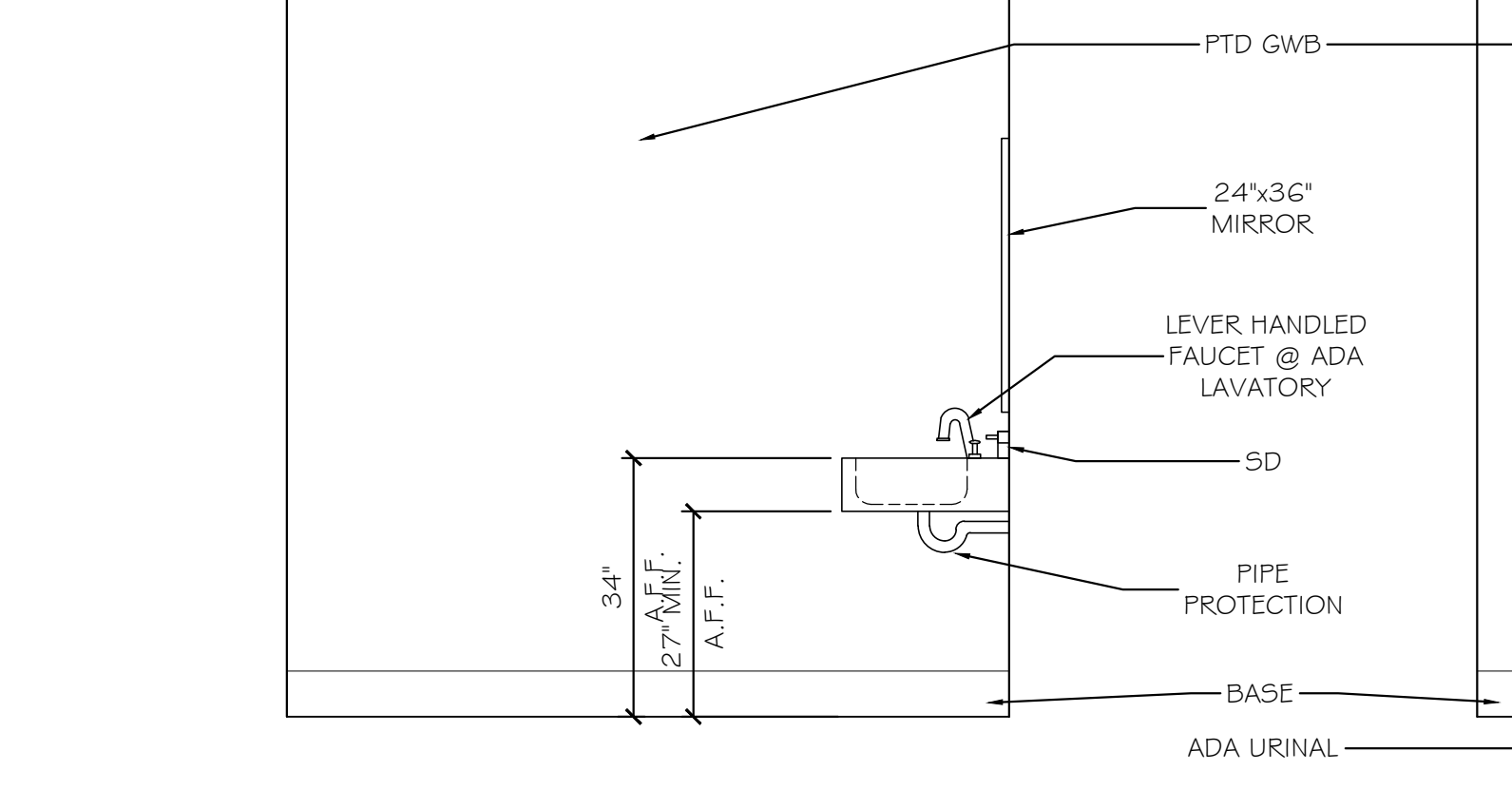
NOTE: SEE SHEET A-6 FOR MOUNTING HEIGHTS AND LOCATIONS OF TOILET ACCESSORIES FOR ACCESSIBILITY COMPLIANCE.



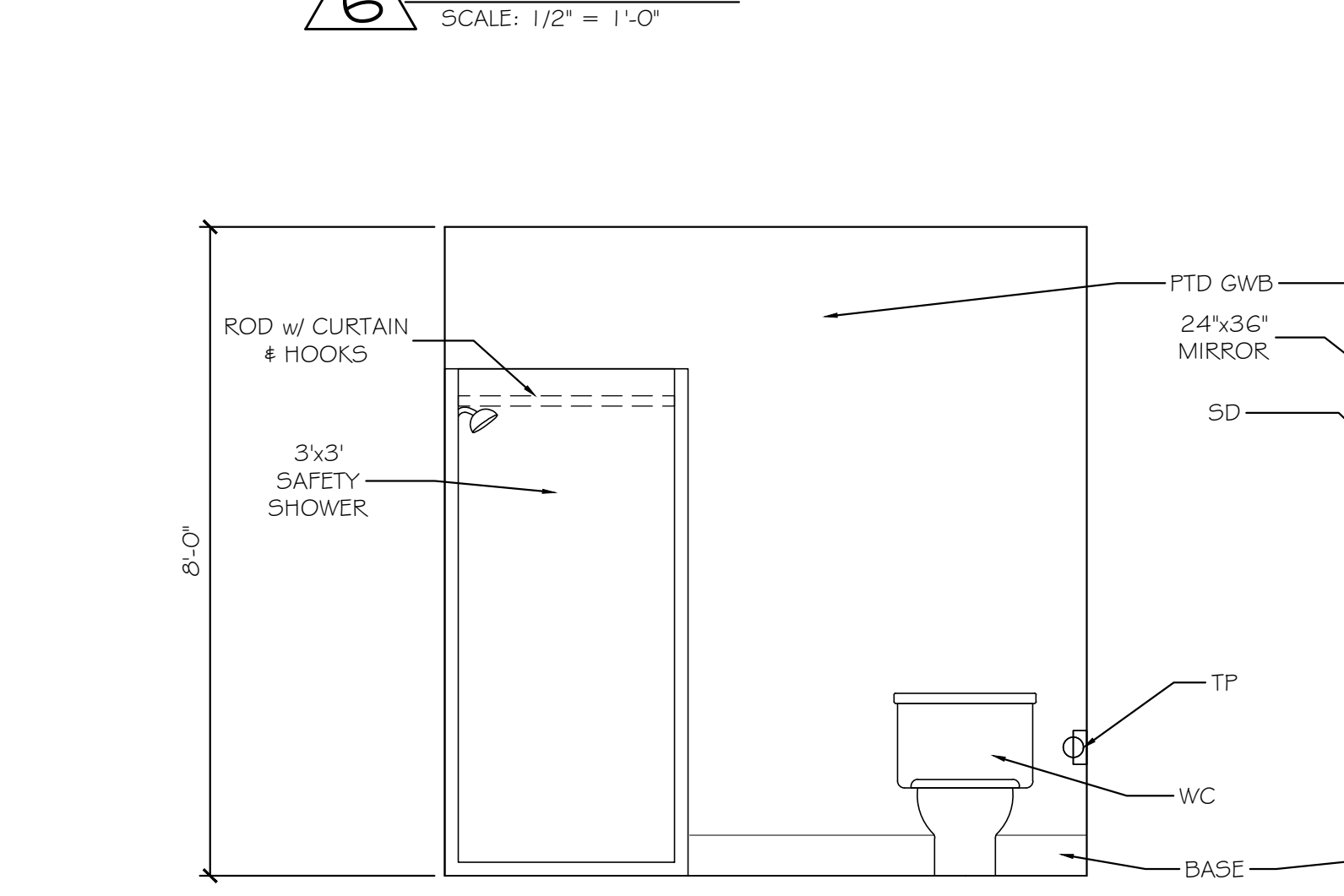
⑩ WOMEN 204 SCALE: 1/2" = 1'-0"



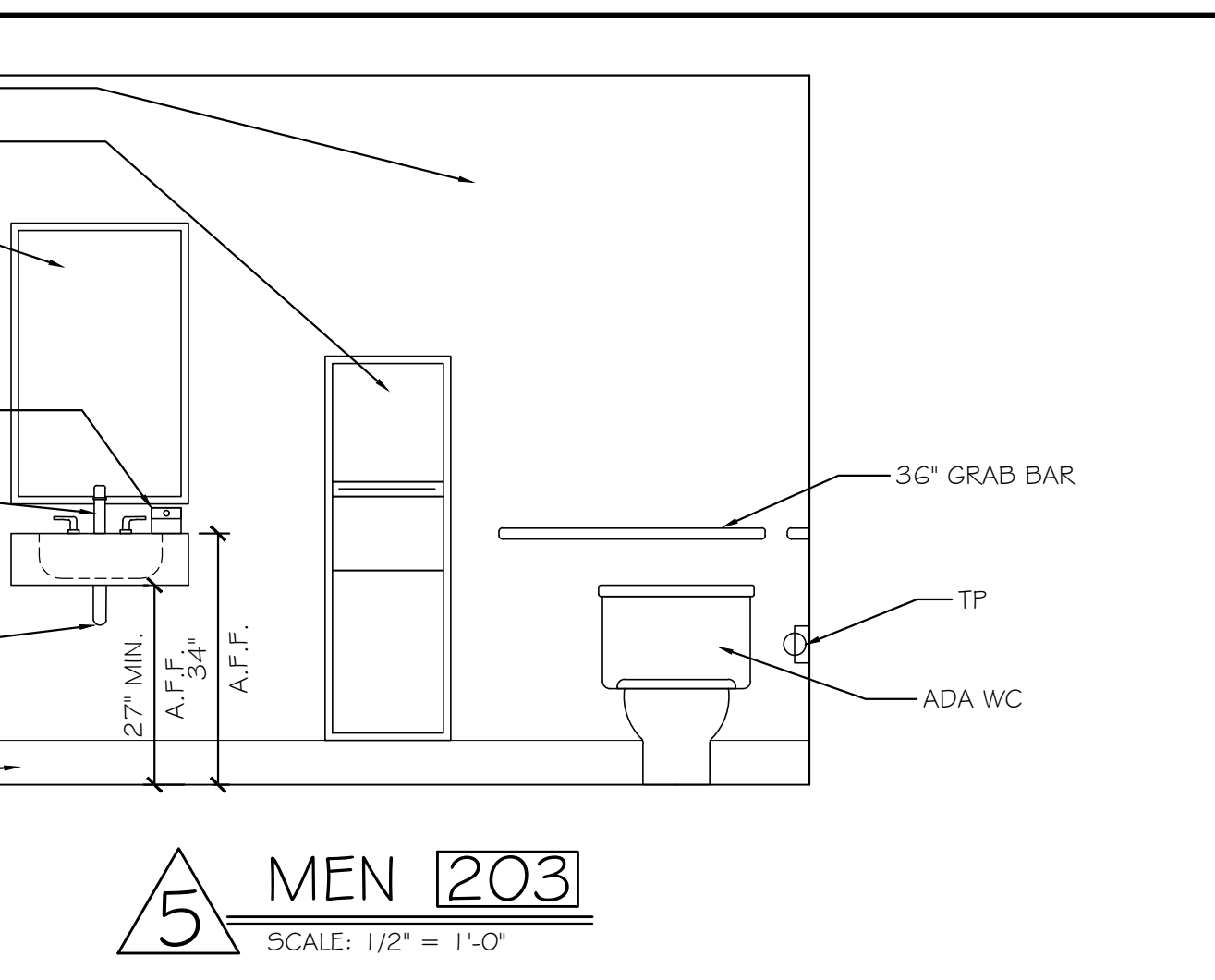
④ MEN 203 SCALE: 1/2" = 1'-0"



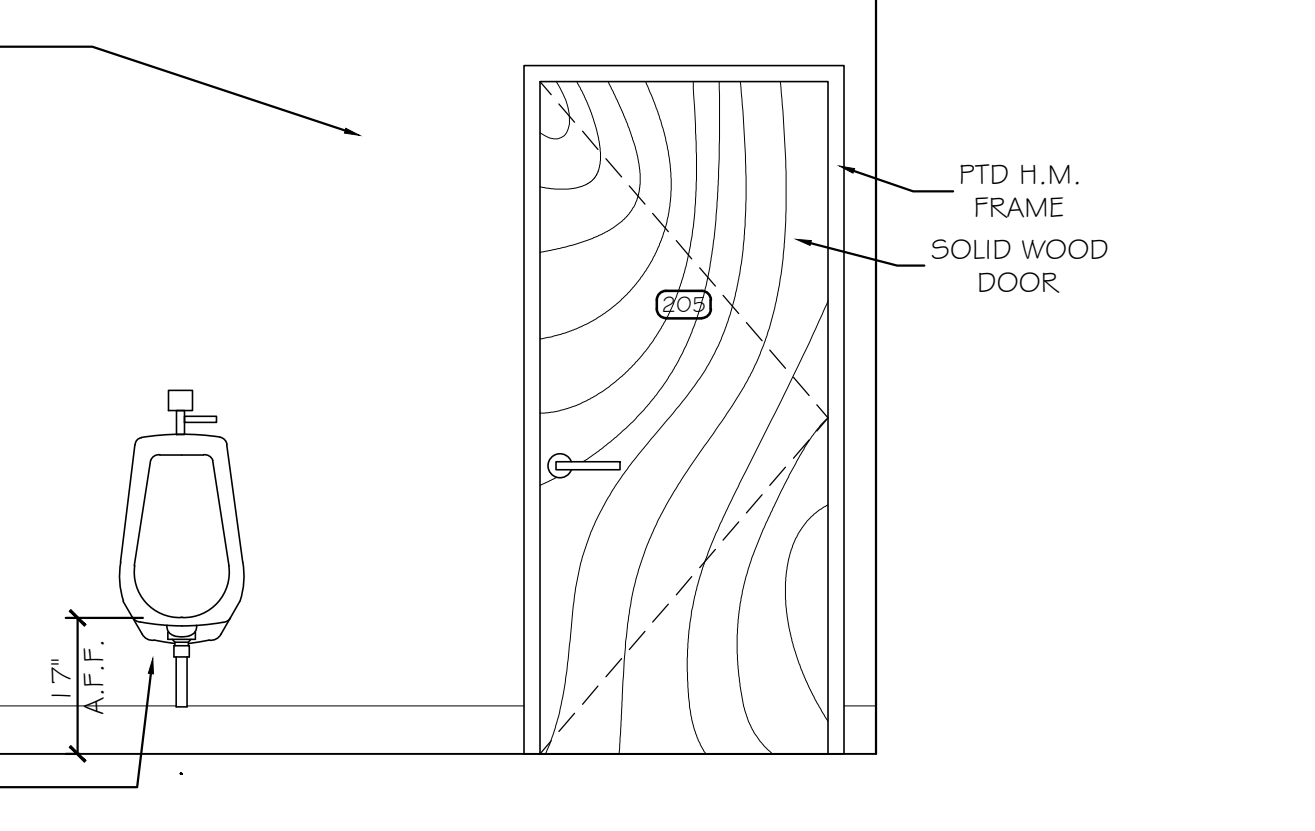
⑤ MEN 203 SCALE: 1/2" = 1'-0"



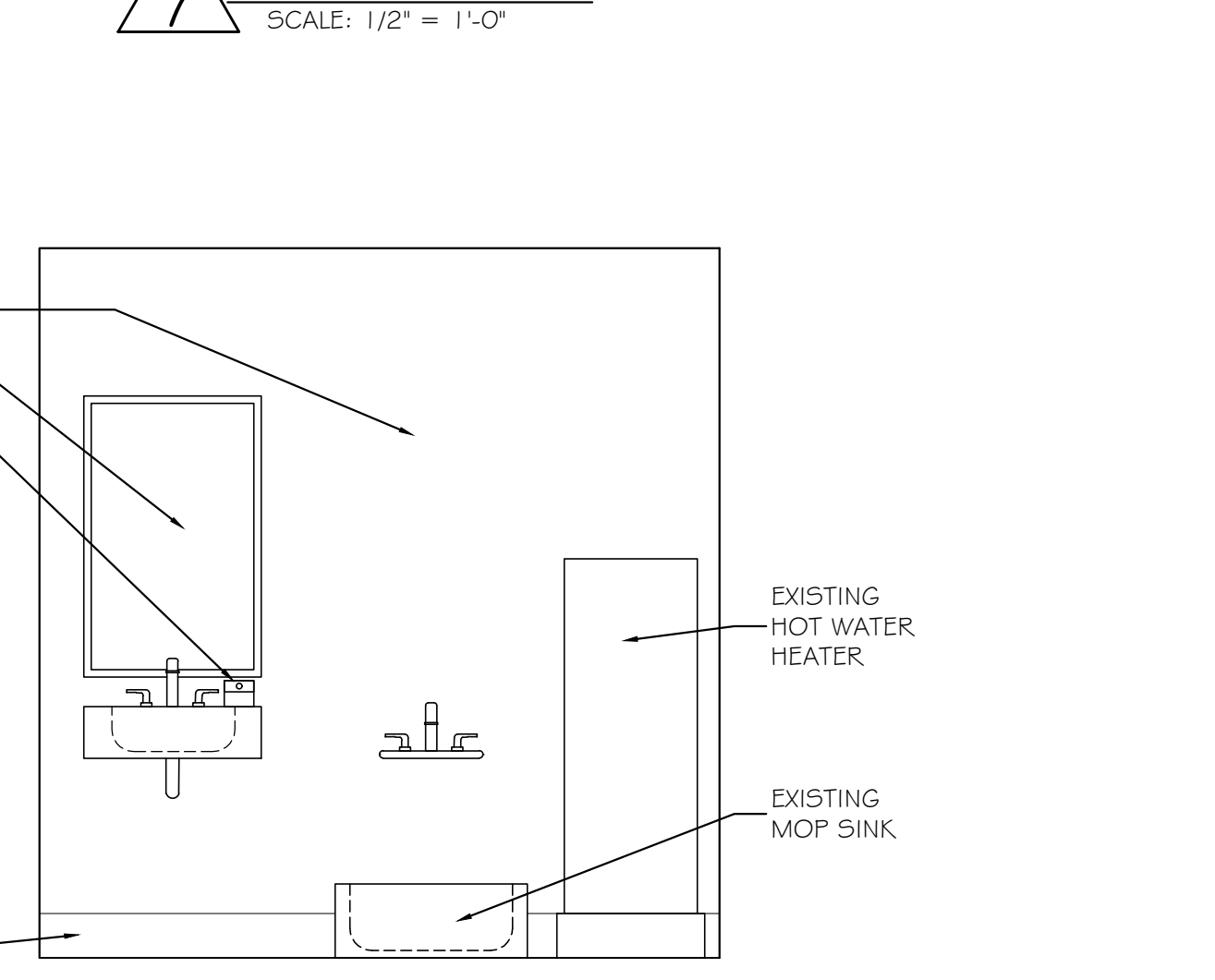
⑥ MEN 203 SCALE: 1/2" = 1'-0"



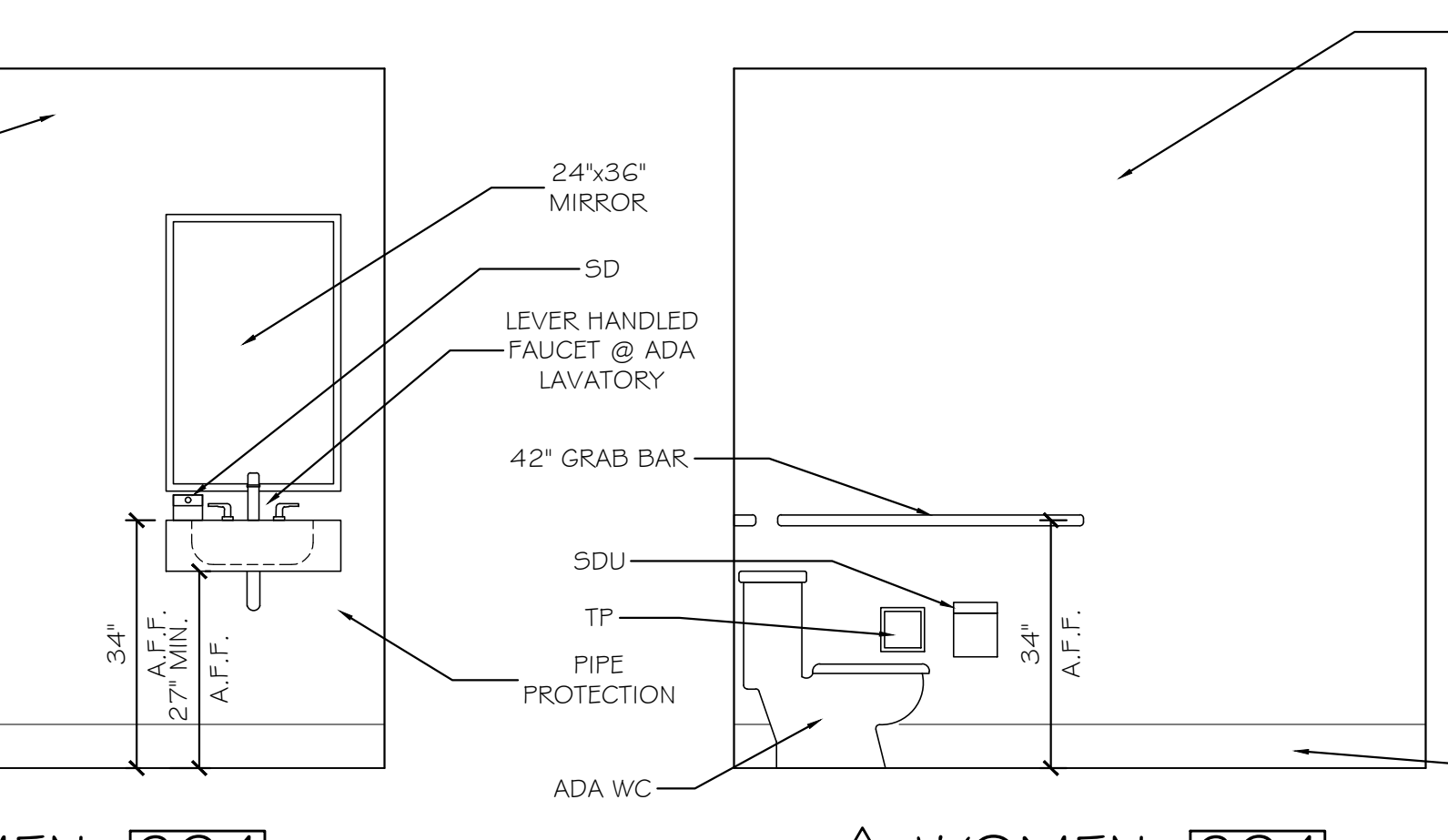
⑦ MEN 203 SCALE: 1/2" = 1'-0"



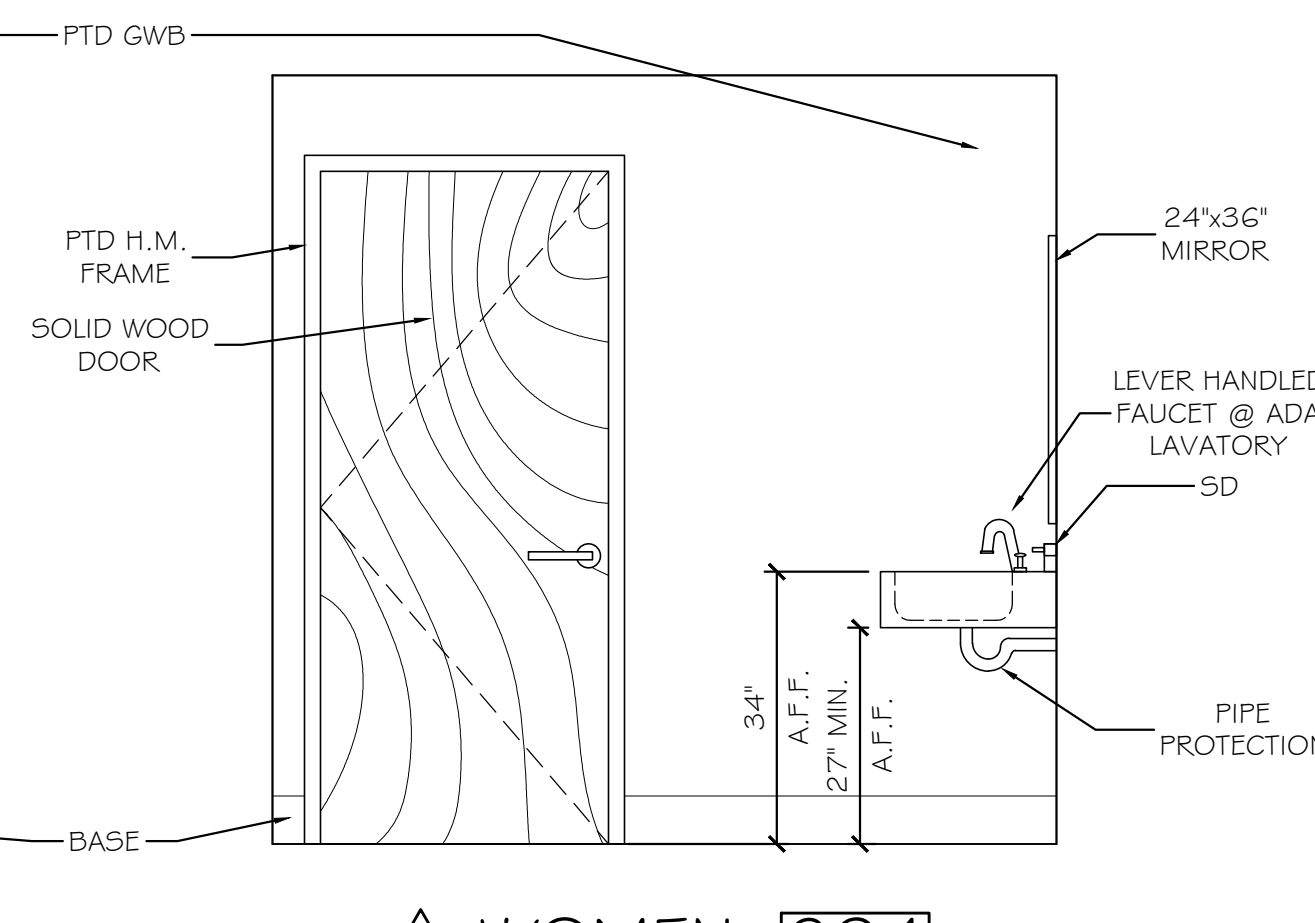
⑧ UNISEX 205 SCALE: 1/2" = 1'-0"



⑨ UNISEX 205 SCALE: 1/2" = 1'-0"



⑪ WOMEN 204 SCALE: 1/2" = 1'-0"



⑫ WOMEN 204 SCALE: 1/2" = 1'-0"

