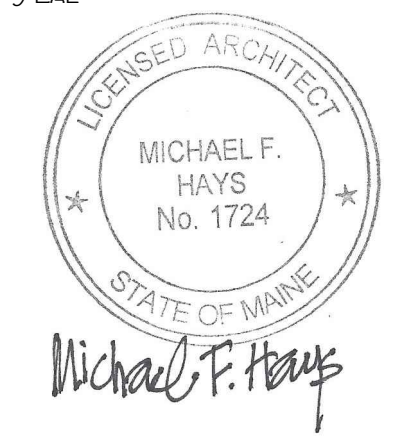
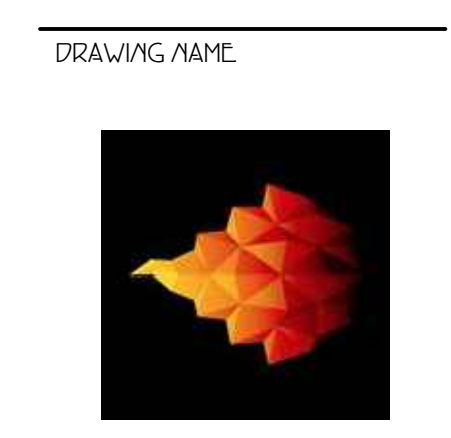


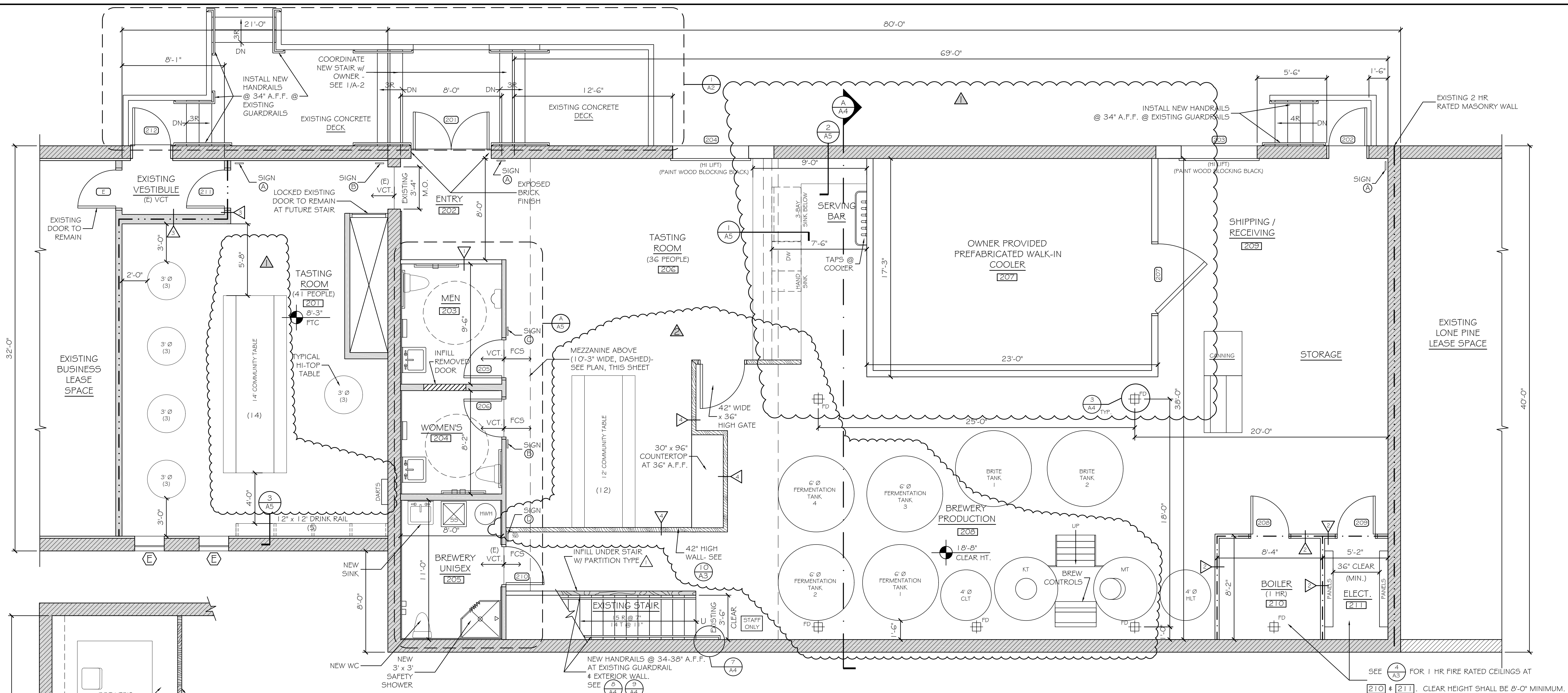
GRANT HAYS ASSOCIATES
 ARCHITECTURE & INTERIOR DESIGN
 P.O. BOX 6179 FALMOUTH MAINE 04103
 207.871.5900 www.granthays.com



REVISIONS
 20 JULY '17
 18 AUGUST '17



GOODFIRE BREWING COMPANY
 BREWING COMPANY
 219 AMERSON STREET
 PORTLAND, MAINE 04102



PROPOSED FLOOR PLAN
 SCALE: 1/4" = 1'-0"



- GENERAL NOTES**
- REFER TO STRUCTURAL DRAWINGS BY ASSOCIATED DESIGN PARTNERS, INC. FOR ADDITIONAL INFORMATION REGARDING FLOOR STRUCTURE.
 - REFER TO TIGRO DRAWINGS AND SPECIFICATION FOR BREWERY EQUIPMENT.
 - G.C. SHALL COORDINATE ALL DESIGN-BUILD MEP, LIFE SAFETY AND OTHER TRADES INTO THE WORK.
 - FIELD VERIFY LOCATION OF ALL FLOOR DRAINS WITH PRECAST CONCRETE TEE LAYOUT PRIOR TO CORE DRILLING. SEE STRUCTURAL DRAWINGS FOR ADDITIONAL INFORMATION.

WALL TYPES

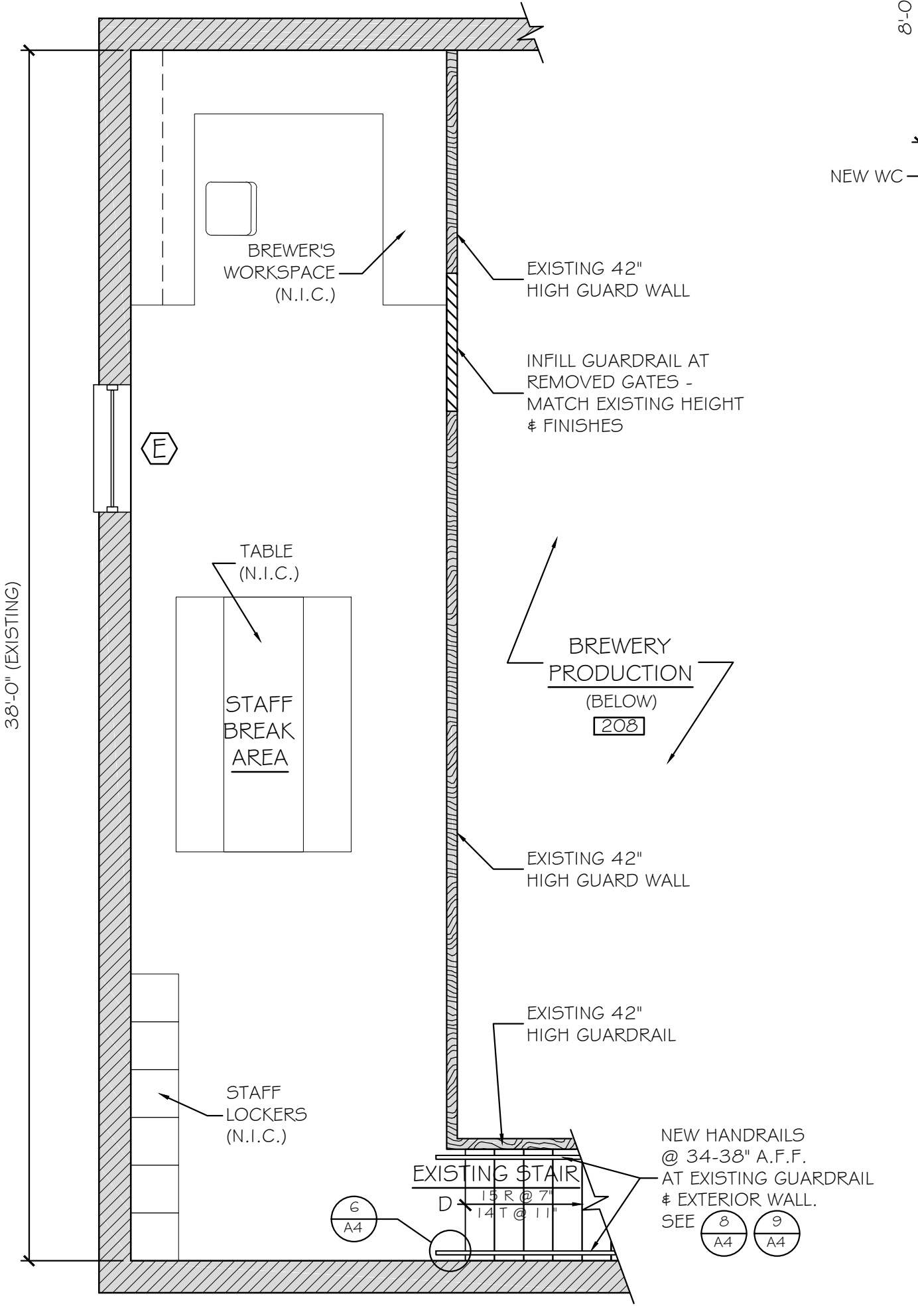
	EXISTING MASONRY
	EXISTING PARTITION
	EXISTING LOW WALL
	NEW PARTITION
	ONE HOUR FIRE RATING

PARTITION LEGEND

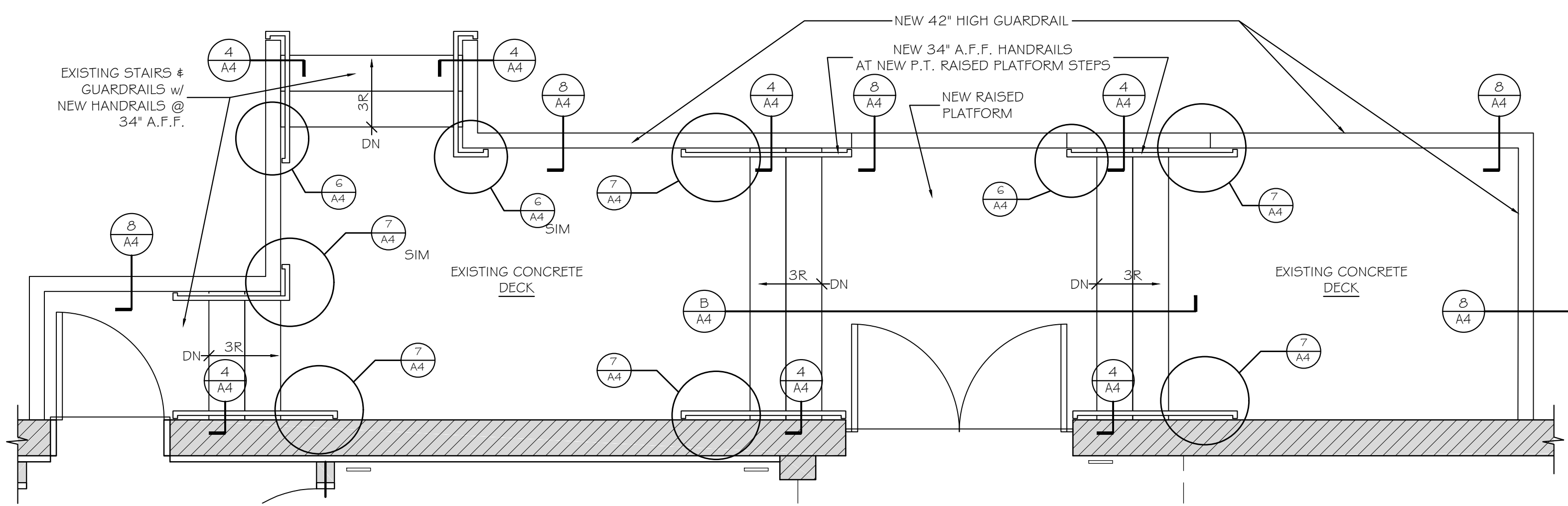
TAG	DETAIL
	1 A3
	2 A3
	3 A3
	10 A3

SIGN LEGEND

TAG	DETAIL
(A)	ADA SIGNAGE-SHEET AG
(B)	ADA SIGNAGE-SHEET AG
(C)	ADA SIGNAGE-SHEET AG



MEZZANINE PLAN
 SCALE: 1/4" = 1'-0"



DECK / STAIR MODIFICATIONS PLAN
 SCALE: 3/8" = 1'-0"

DATE: 30 MAY 2017

SCALE: AS NOTED

DRAWN: MFH/mgk

JOB NO.: 161001

MEET

PROPOSED FLOOR PLAN

DATE: 30 MAY 2017

SCALE: AS NOTED

DRAWN: MFH/mgk

JOB NO.: 161001

MEET

A-2

REPRODUCTION OR RELIANCE ON THIS DOCUMENT WITHOUT WRITTEN PERMISSION FROM GRANT HAYS ASSOCIATES IS PROHIBITED.