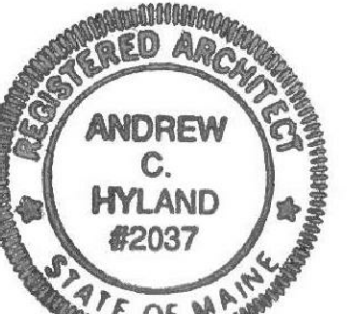




PORT CITY ARCHITECTURE
65 NEWBURY STREET
PORTLAND, ME 04101
207.761.9000



CONSULTANTS:
Structural Integrity
Consulting Engineers, Inc.
77 Oak Street
Portland, ME 04101
(207) 774-4614
contact: Matt K. Legere, E.I.T.
matt@structuralinteg.com

BID/PERMIT SET
NOT FOR CONSTRUCTION

**Eighteen
Twenty LLC**

**Tenant Infill
(Suite 1)**

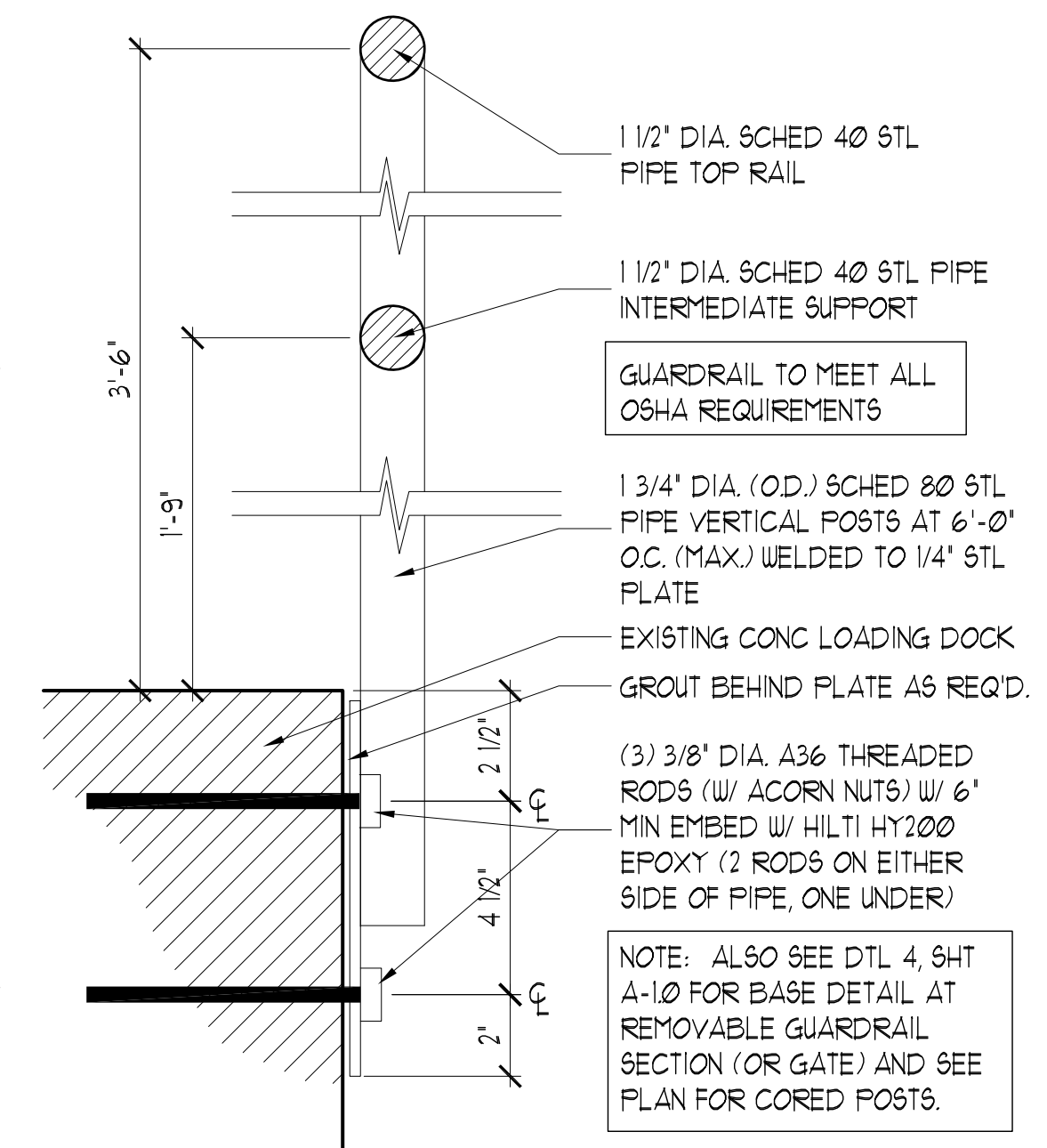
219 Anderson Street
Portland, Maine
04101

#	DATE	DESCRIPTION
1	7-14-17	30% REVIEW SET
2	7-19-17	PERMIT SET

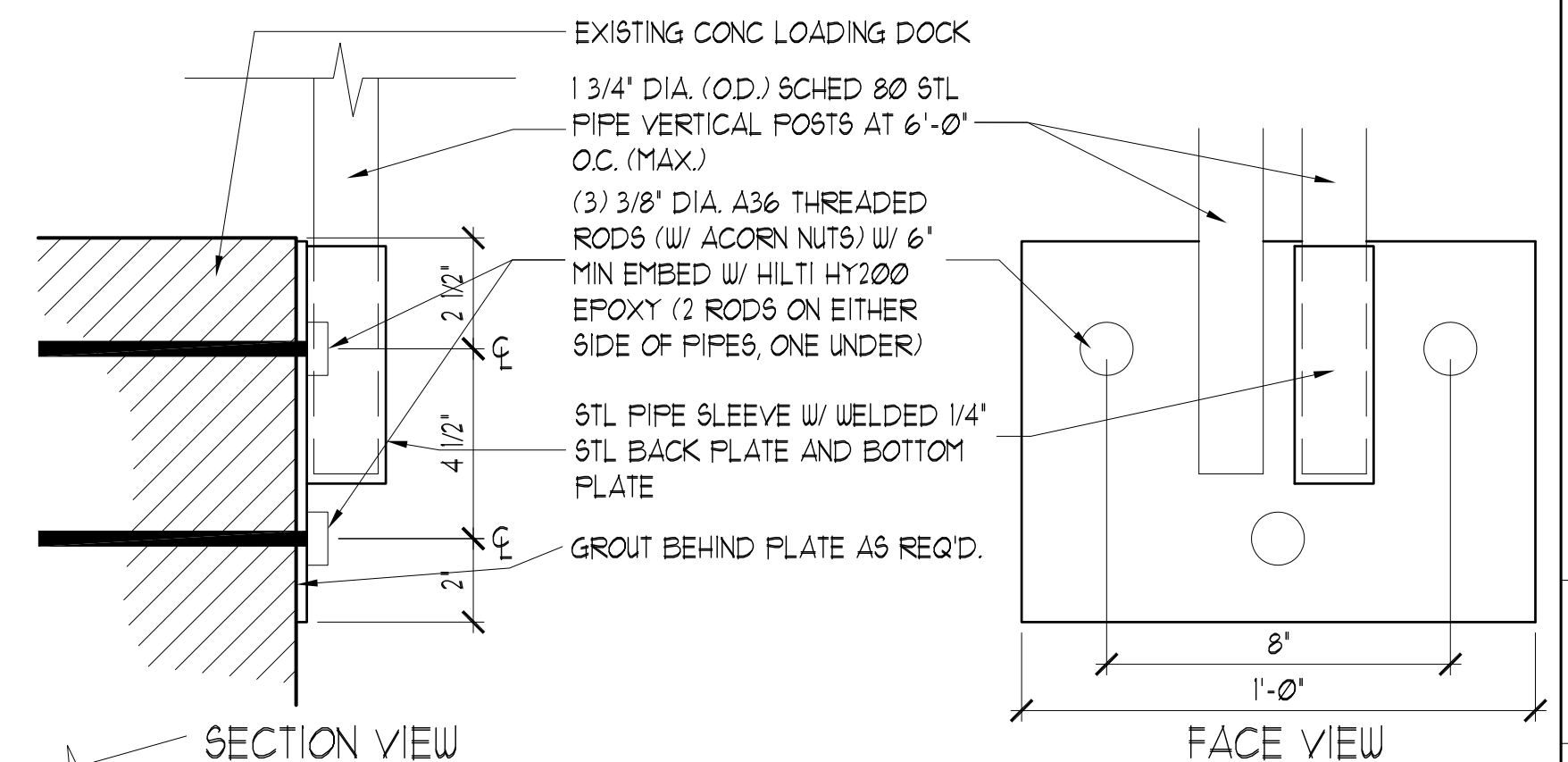
Date Issued July 19th, 2017
Project Number 17207
Drawing Scale AS NOTED

**FLOOR /
EGRESS PLAN**

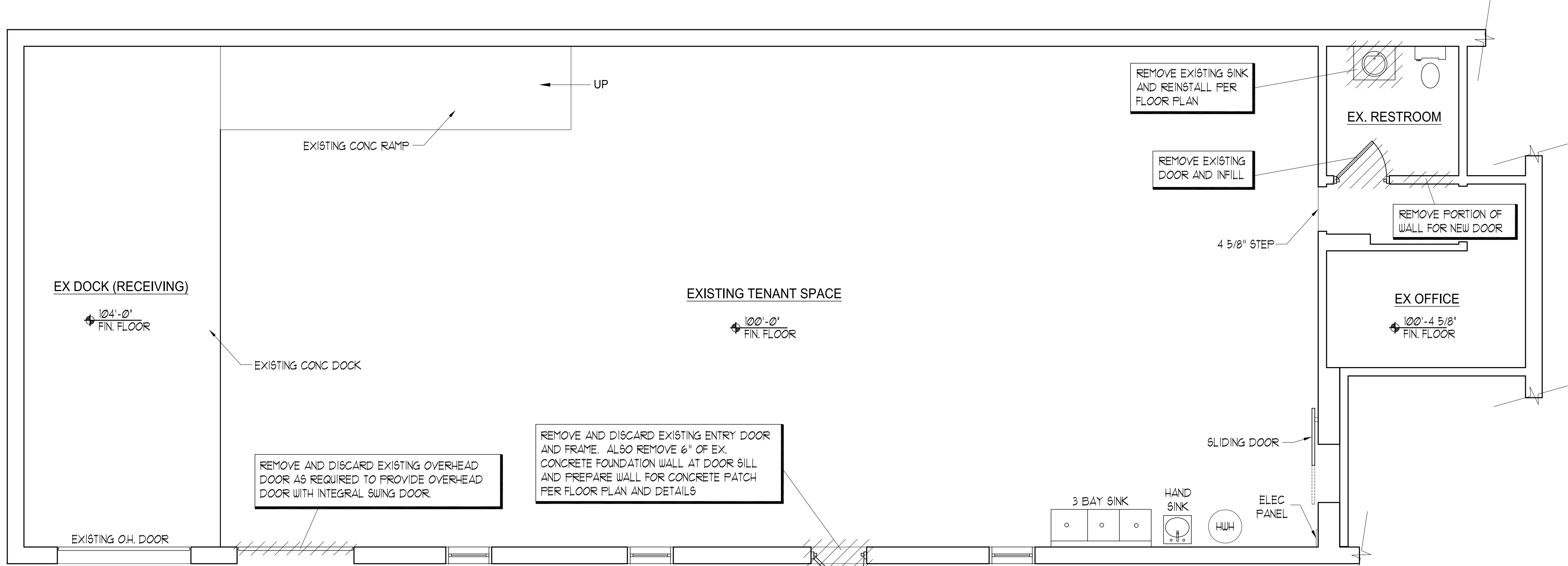
Drawn By MC
Checked By ACH
A 1.0



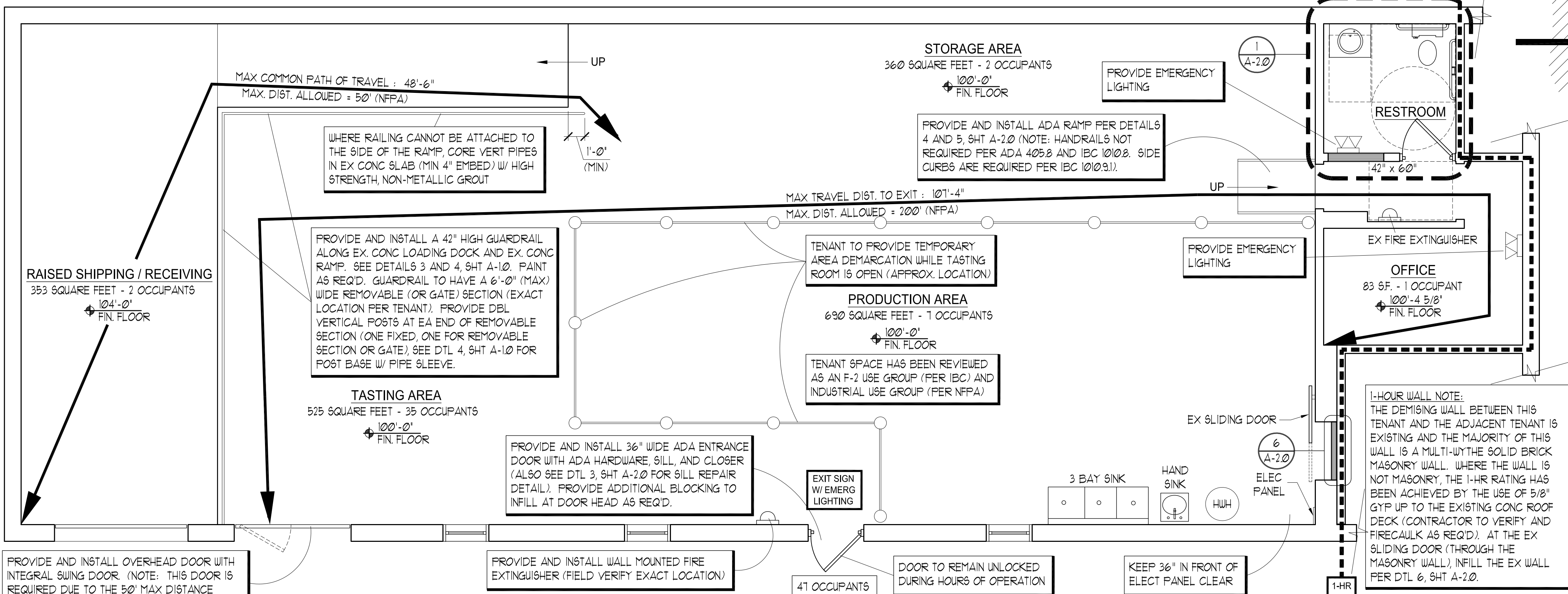
3 RAILING SECTION



4 POST DETAIL



1 DEMOLITION PLAN



2 FLOOR / EGRESS PLAN