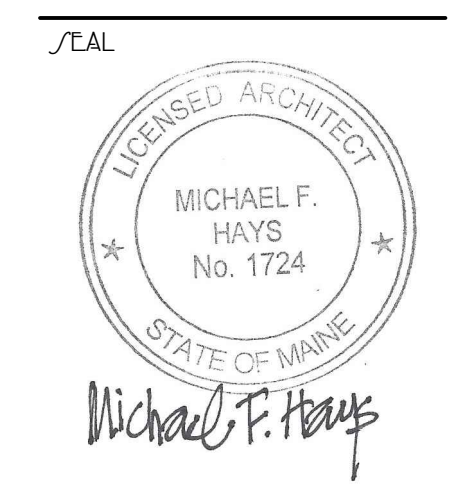


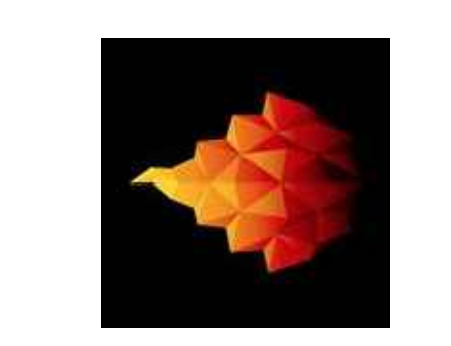
GRANT HAYS
ASSOCIATES

ARCHITECTURE & INTERIOR DESIGN
P.O. BOX 6179 FALMOUTH MAINE 04105
207.871.5900 www.granthays.com



Michael F. Hays

DRAWING NAME



GOODFIRE
BREWING COMPANY
219 ANDERSON STREET
PORTLAND, MAINE 04102

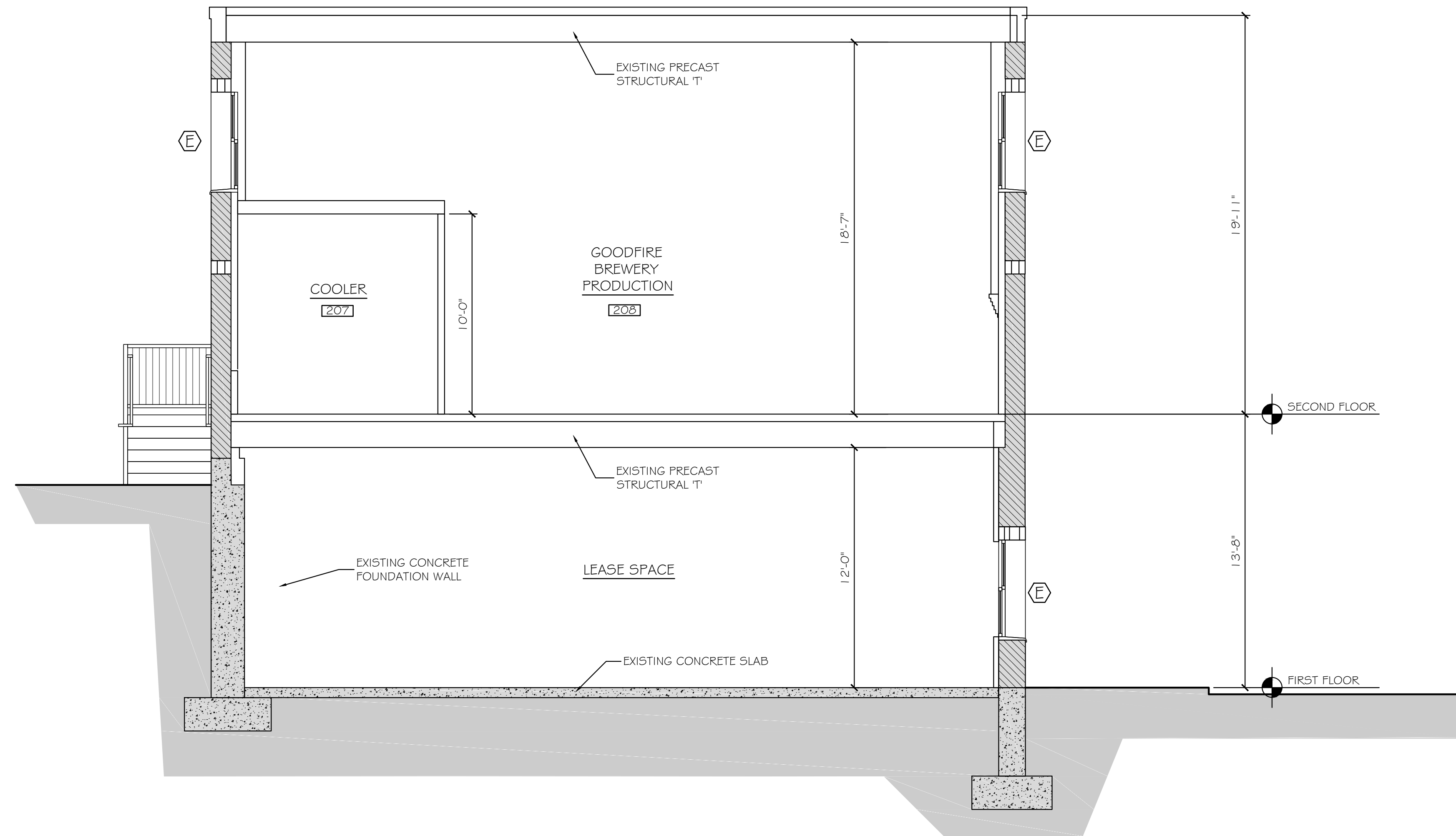
SHEET

DETAILS

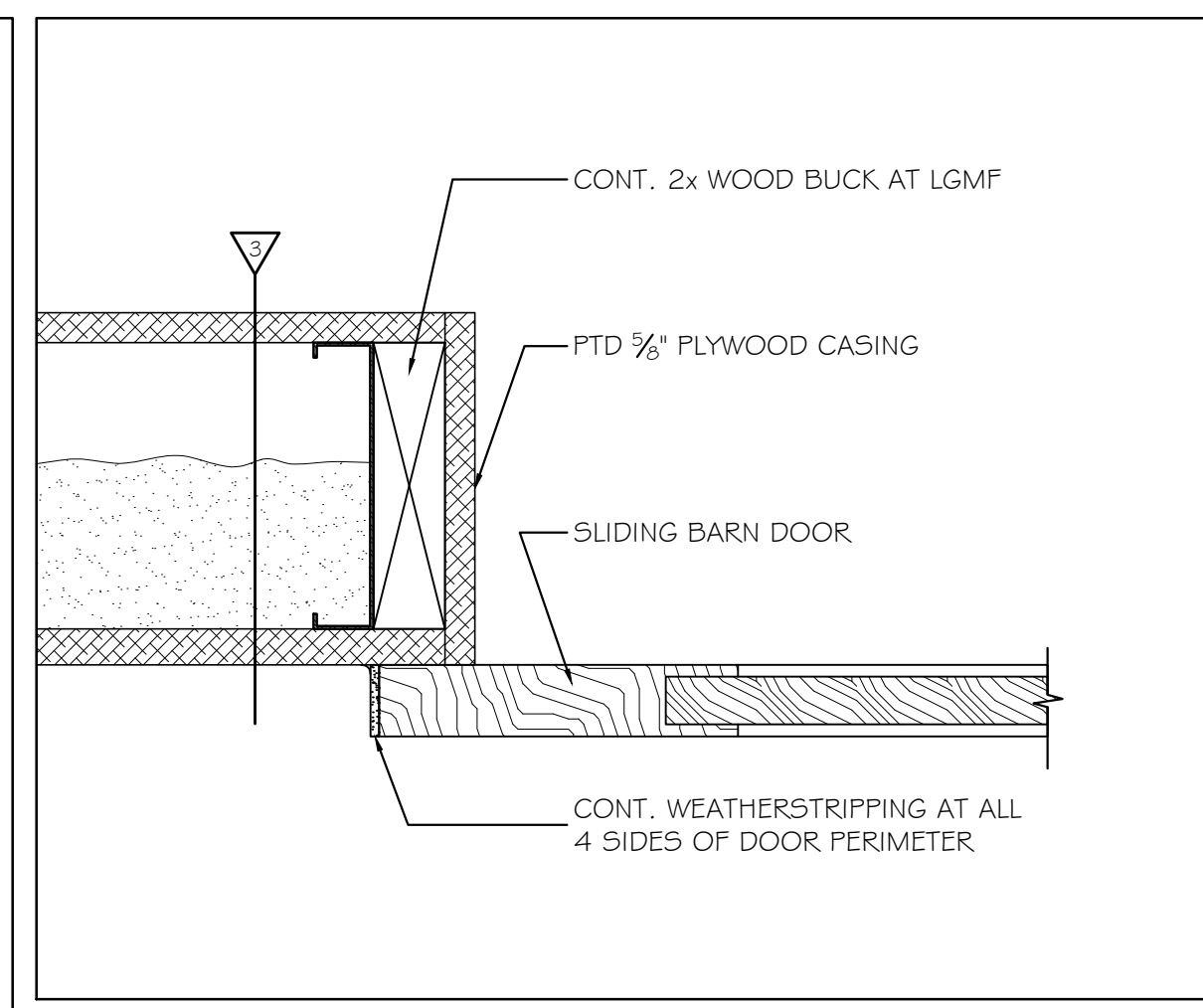
DATE: 13 FEB 2017
SCALE: AS NOTED
DRAWN: MFH/mgk
JOB NO.: 161001
SHEET

A-4

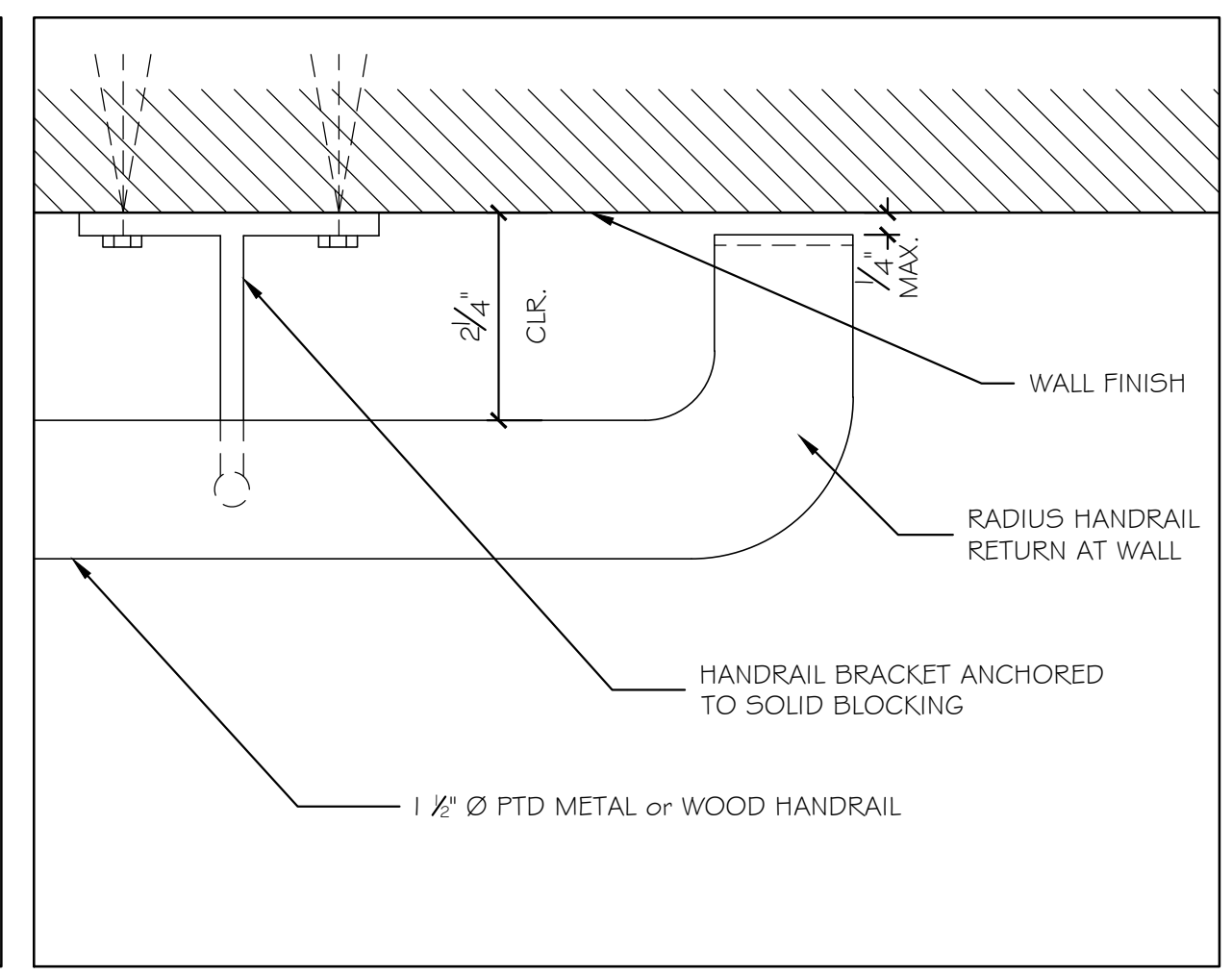
COPYRIGHT REPRODUCTION OR REVUE OF THIS DOCUMENT WITHOUT WRITTEN PERMISSION FROM GRANT HAYS ASSOCIATES IS PROHIBITED.



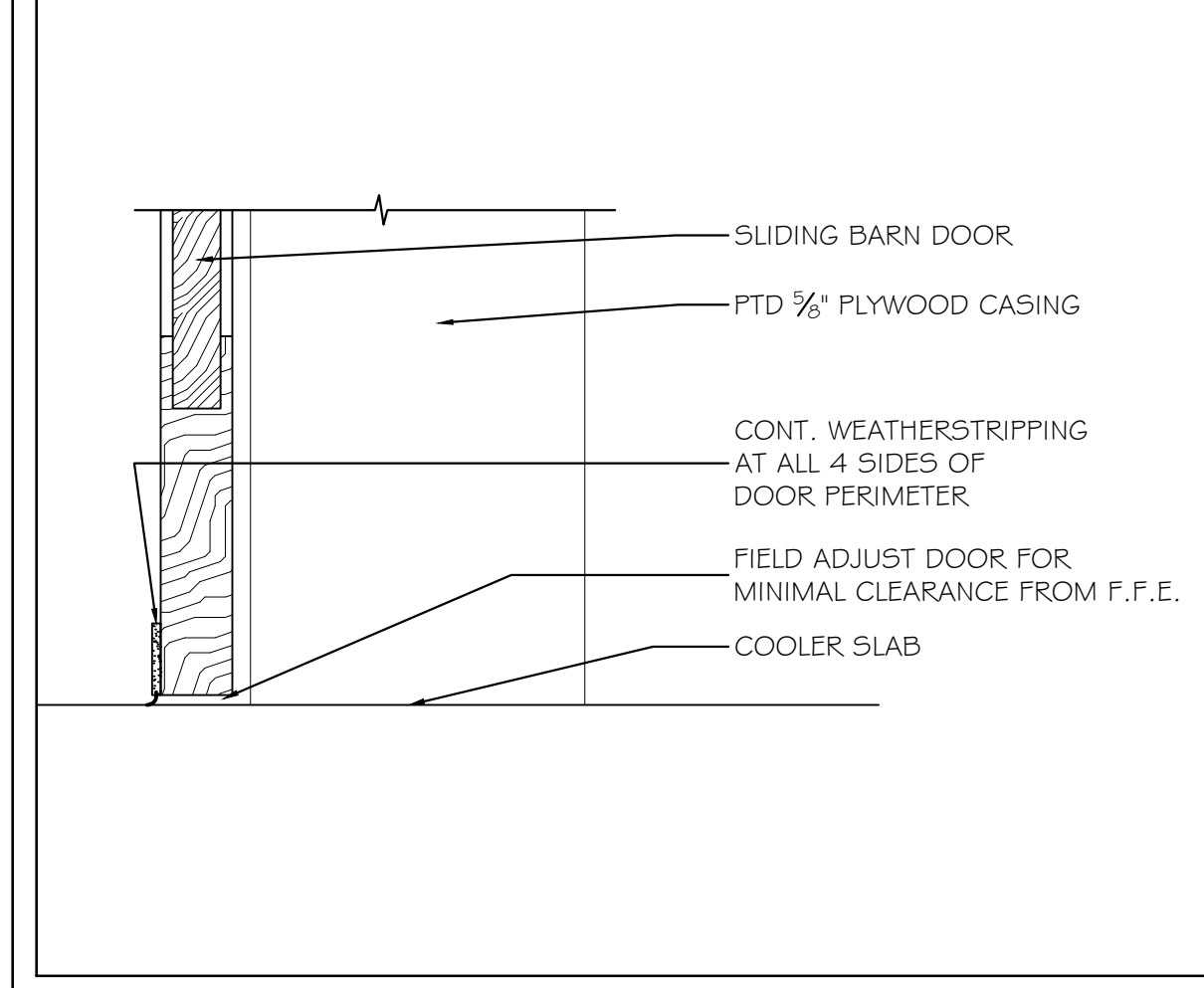
(A) EXISTING BUILDING SECTION 1/4" = 1'-0"



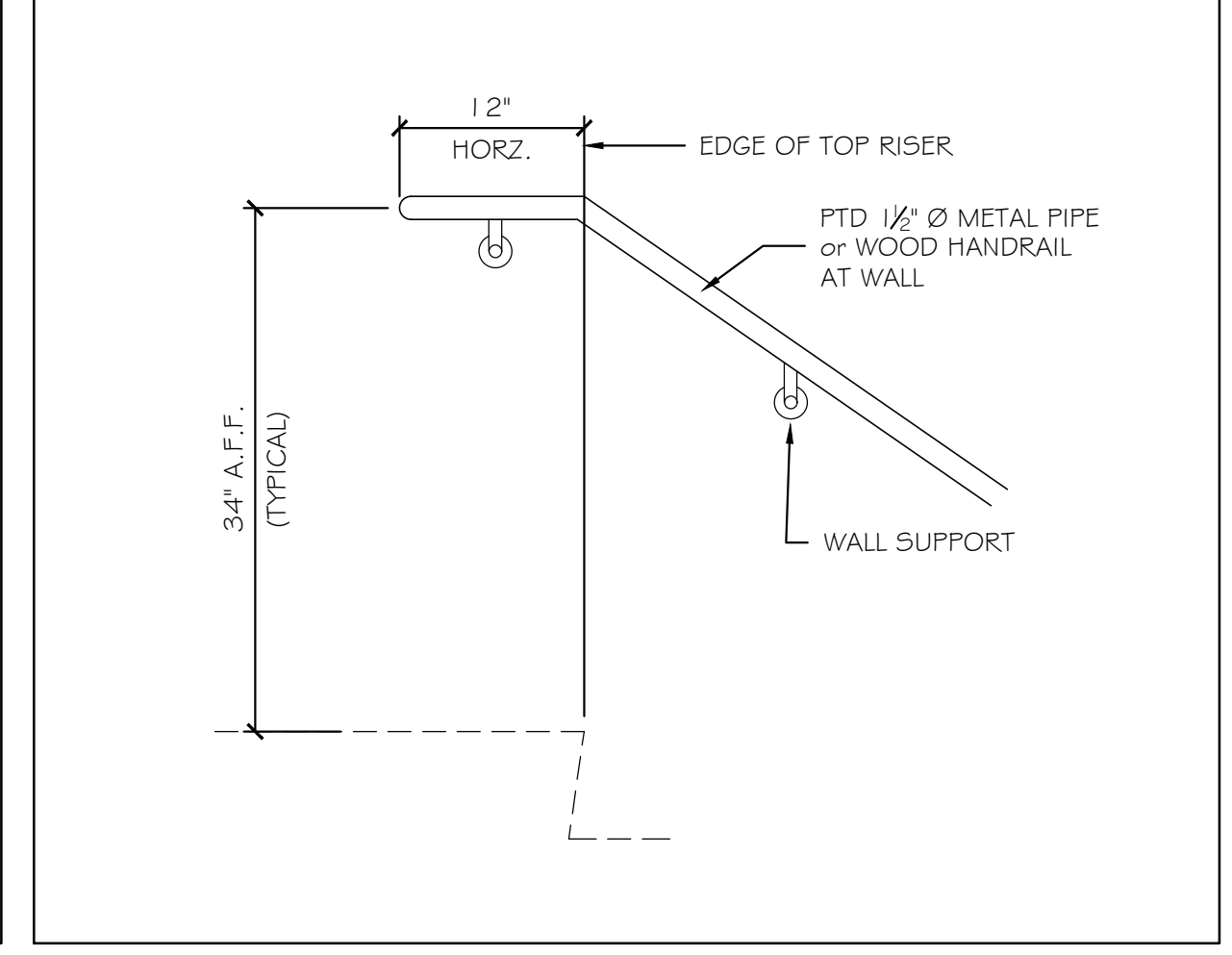
(4) JAMB DETAIL AT SLIDING BARN DOOR 3" = 1'-0"



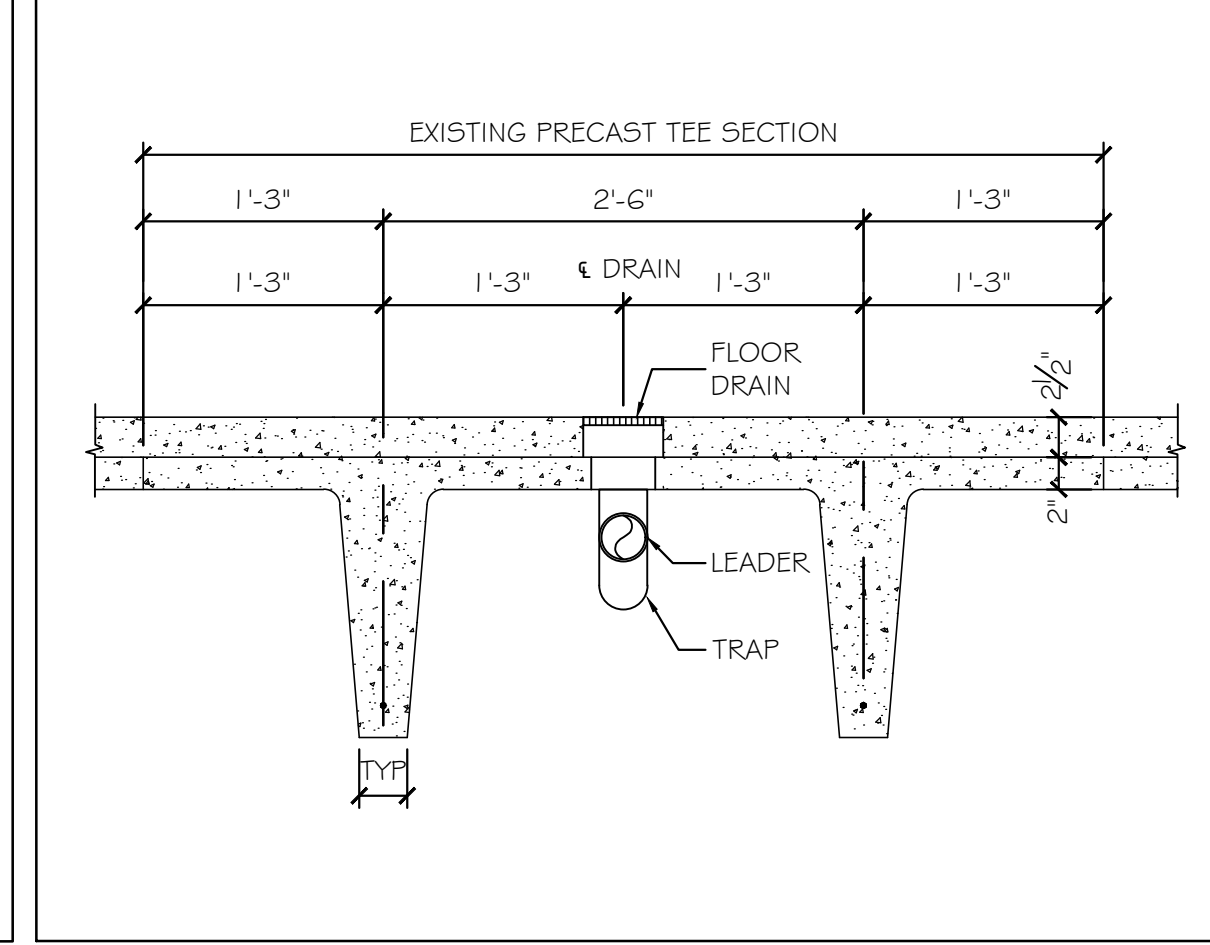
(8) HANDRAIL RETURN AT WALL 6" = 1'-0"



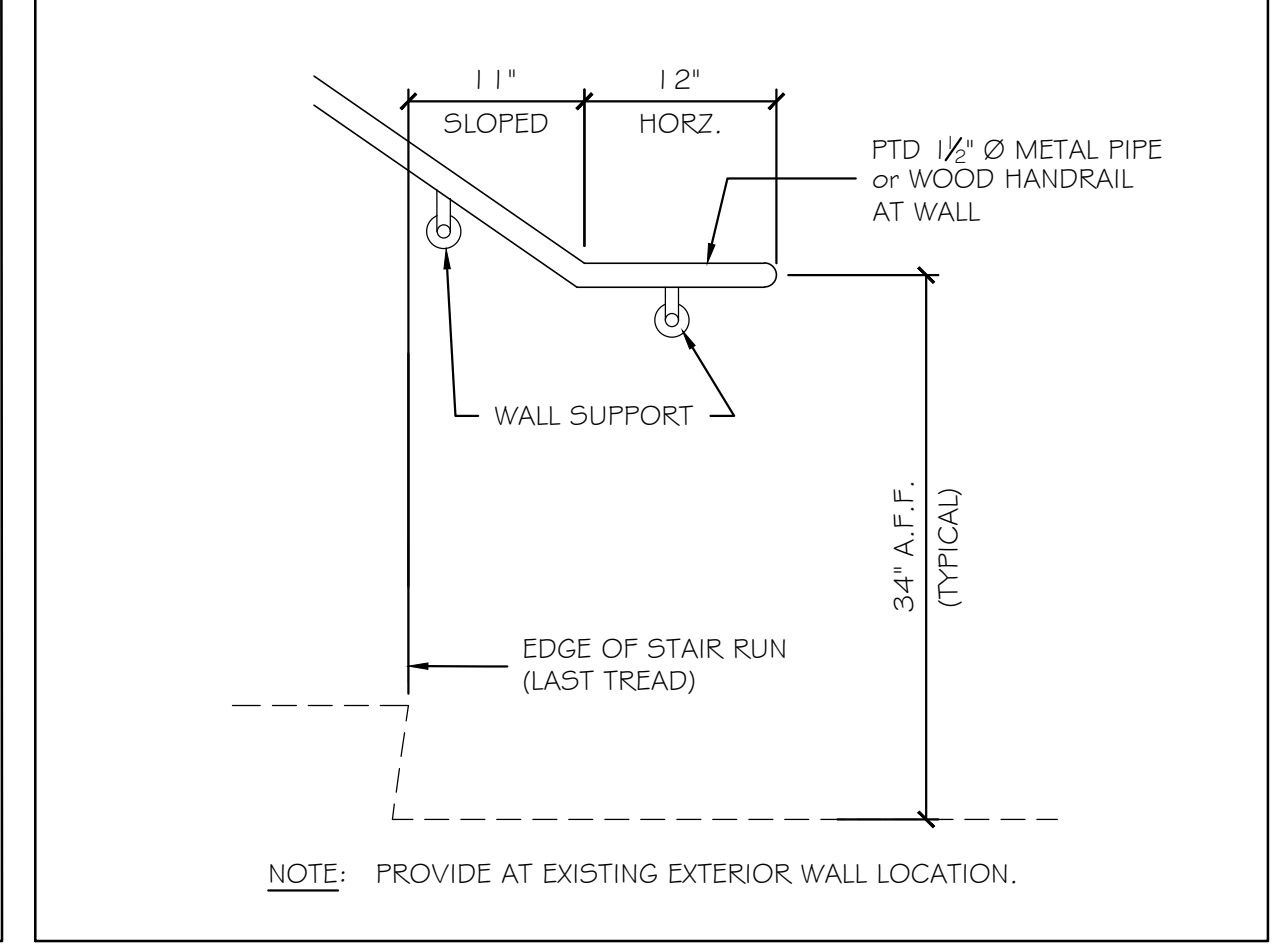
(5) SILL DETAIL AT SLIDING BARN DOOR 3" = 1'-0"



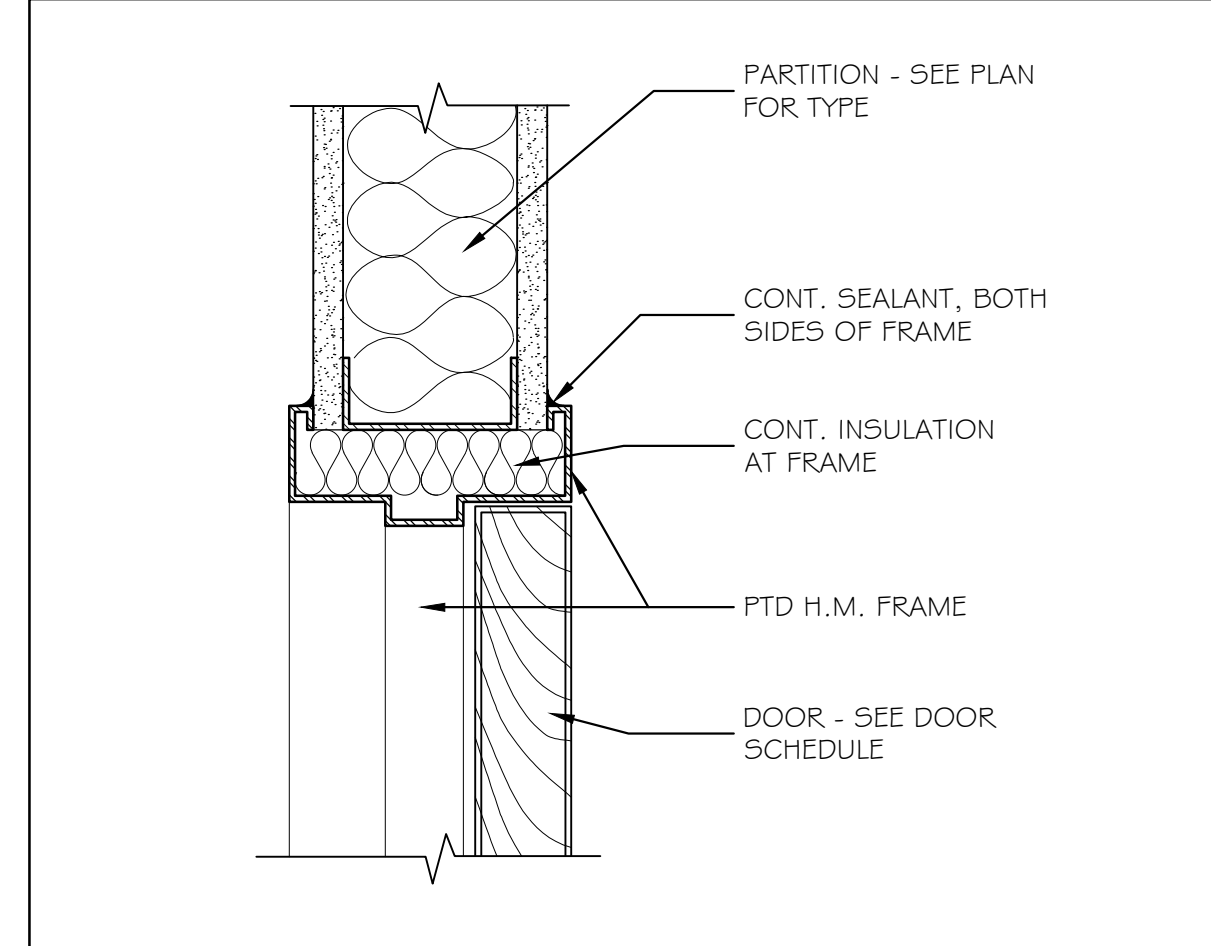
(9) TYPICAL WALL HANDRAIL - TOP 1" = 1'-0"



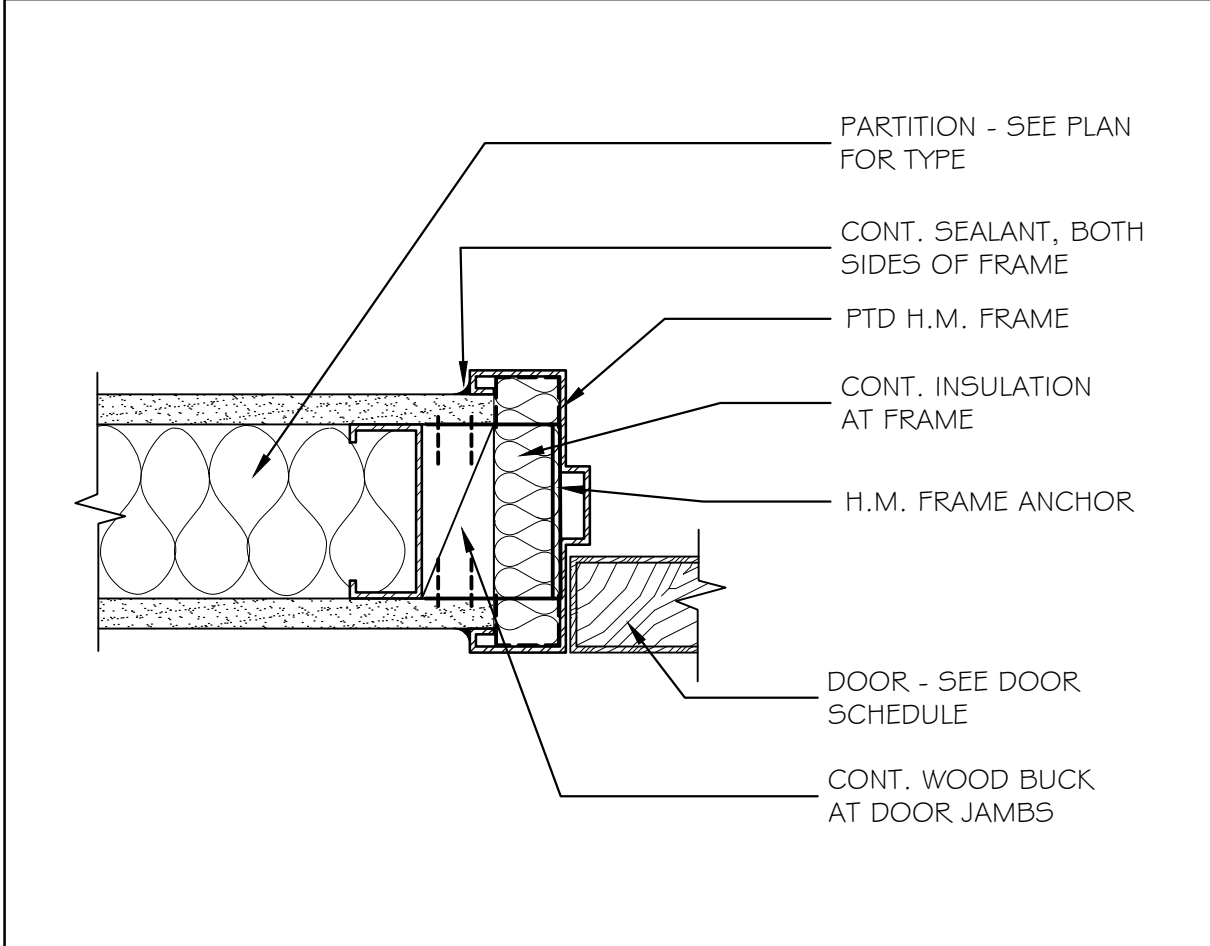
(6) FLOOR DRAIN TYPICAL LOCATION N.T.S.



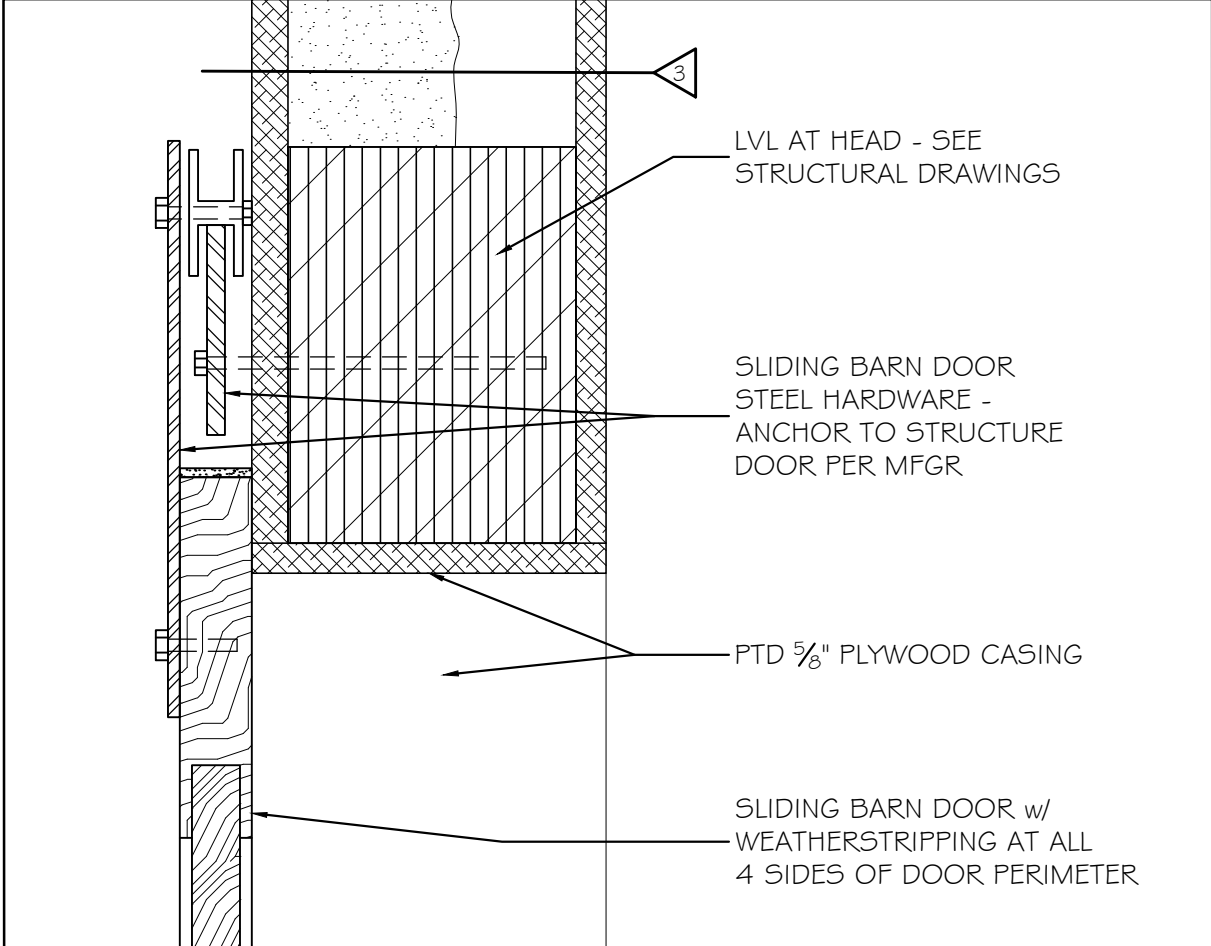
(10) TYPICAL WALL HANDRAIL - BOTTOM 1" = 1'-0"



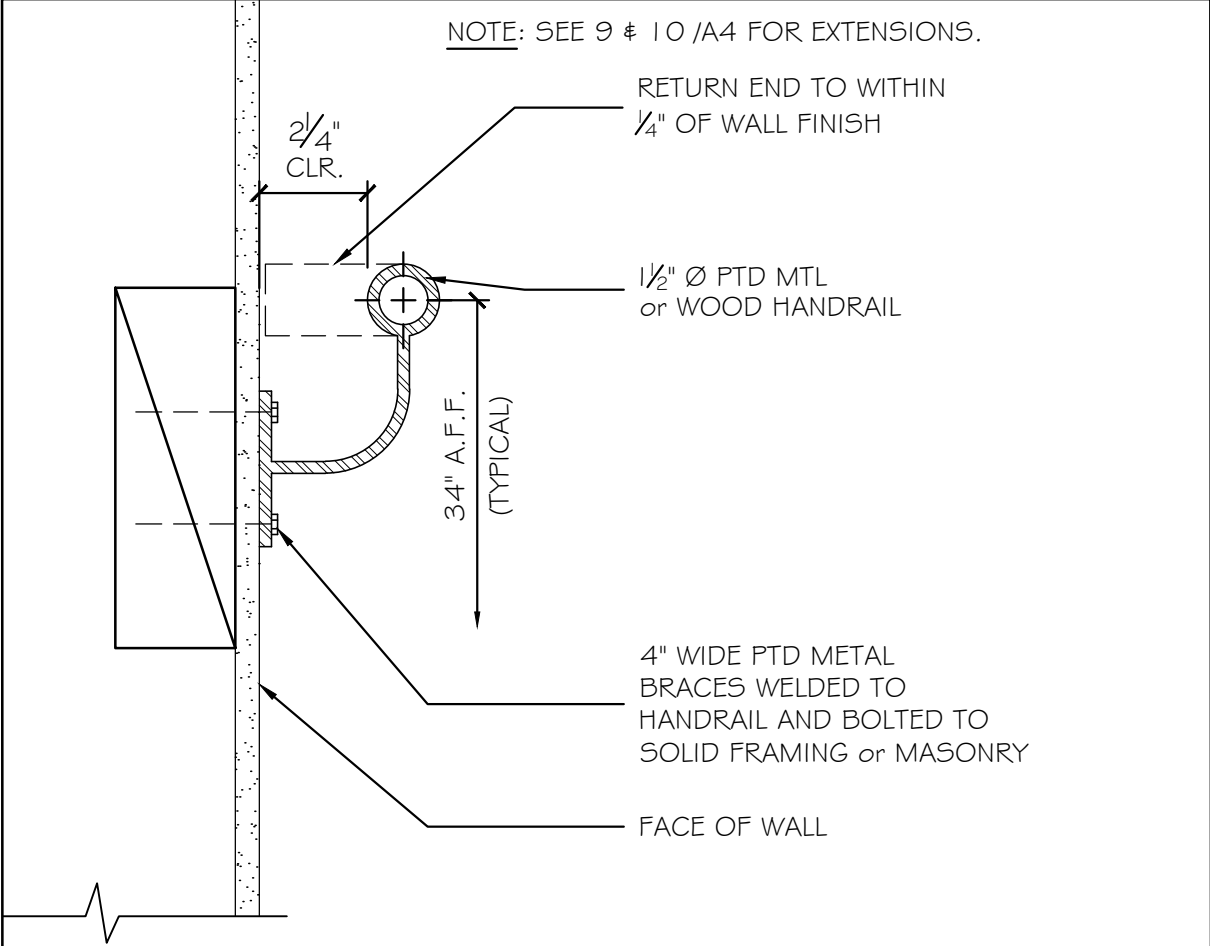
(1) TYPICAL INTERIOR DOOR HEAD DETAIL 3" = 1'-0"



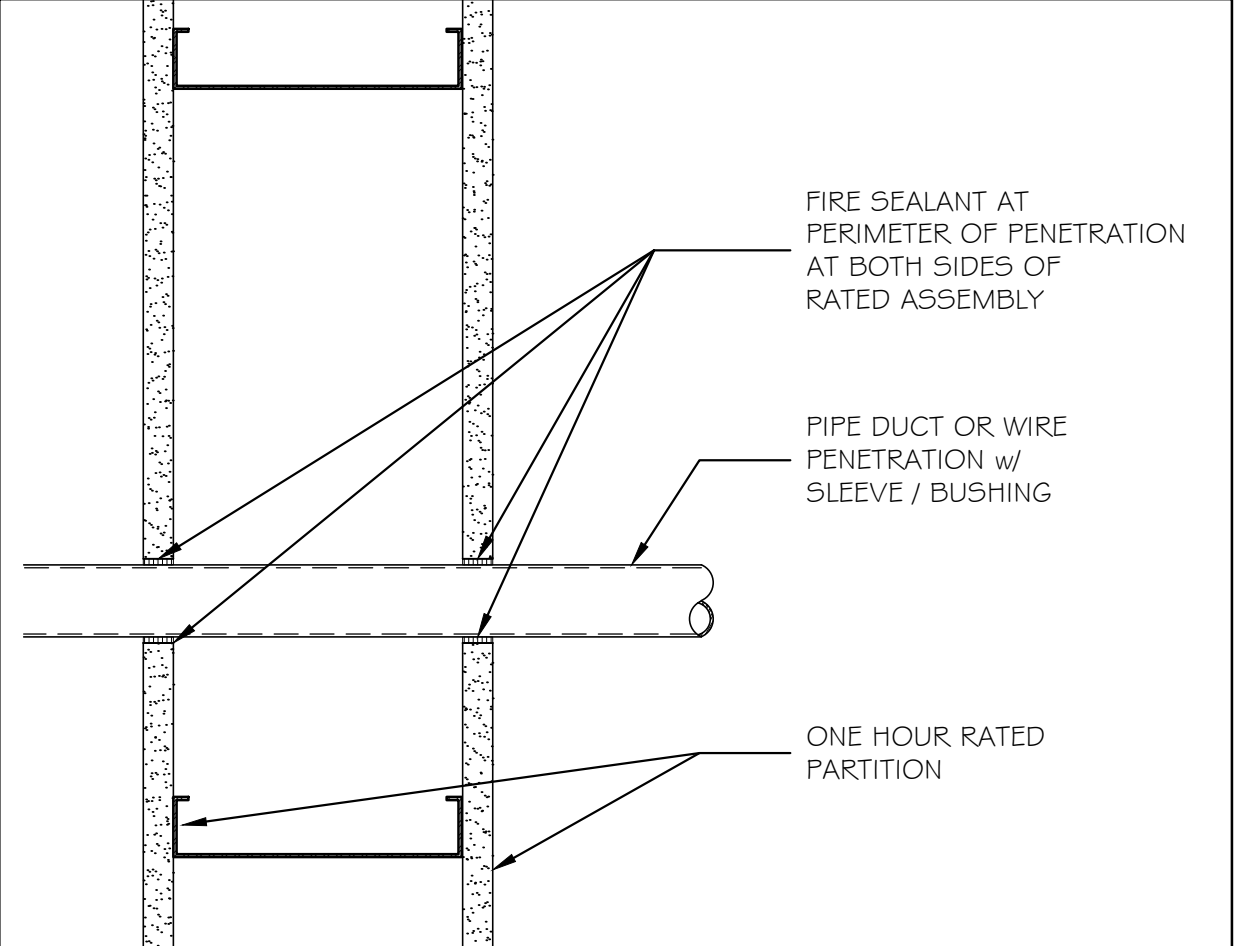
(2) TYPICAL INTERIOR DOOR JAMB DETAIL 3" = 1'-0"



(3) HEAD DETAIL AT SLIDING BARN DOOR 3" = 1'-0"



(7) TYPICAL WALL HANDRAIL SECTION 3" = 1'-0"



(11) FIRE SEALANT AT PENETRATIONS 3" = 1'-0"