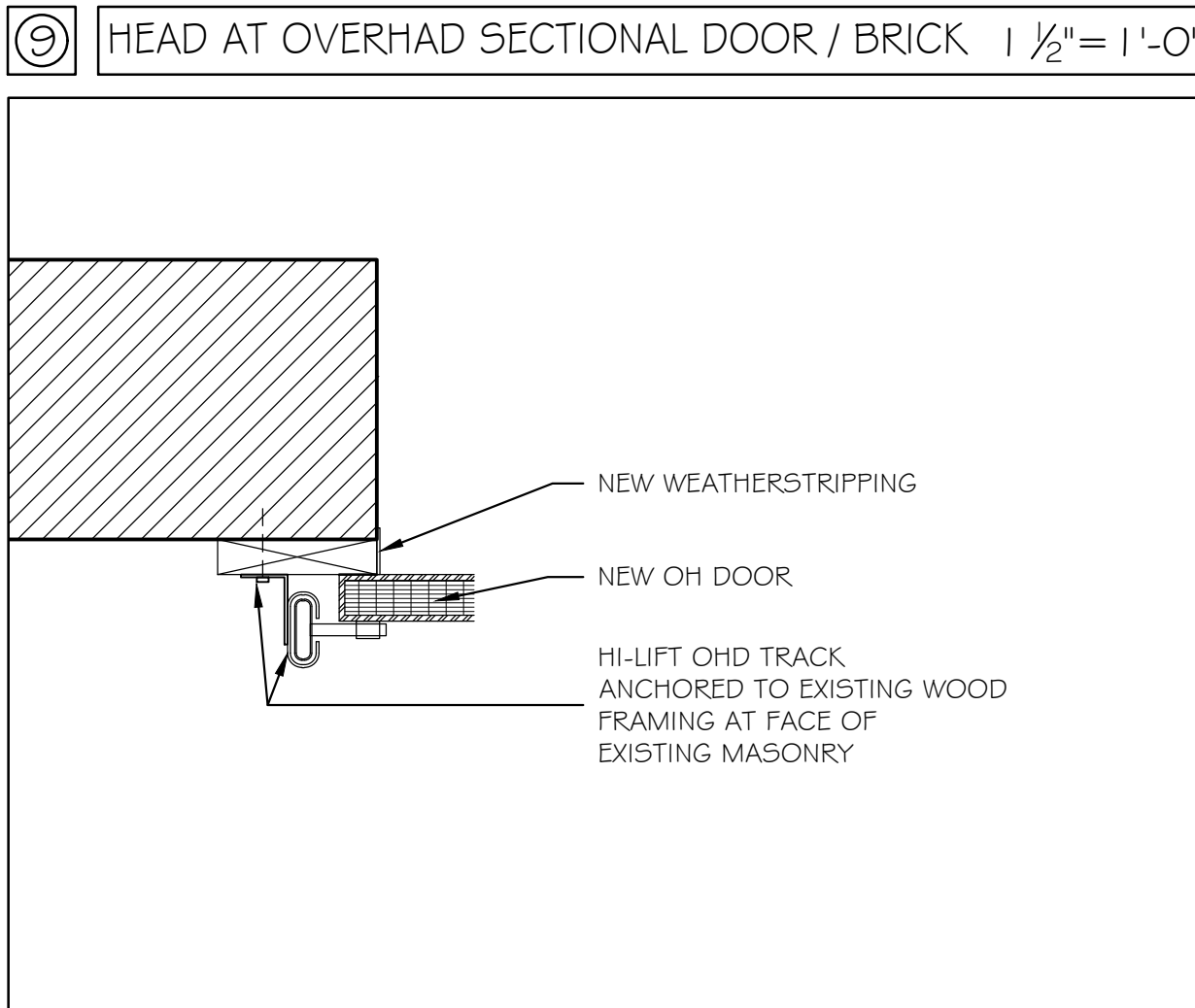
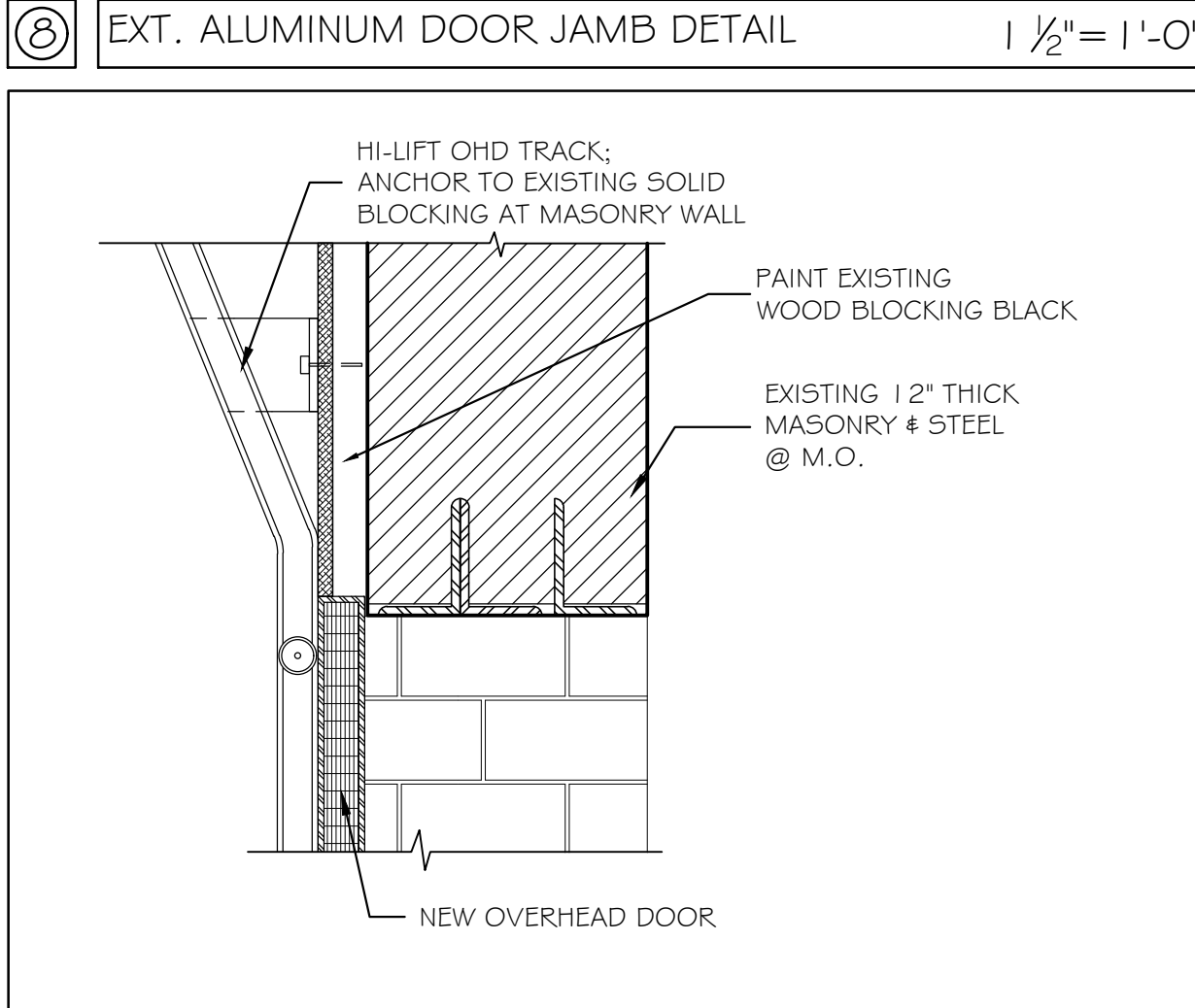
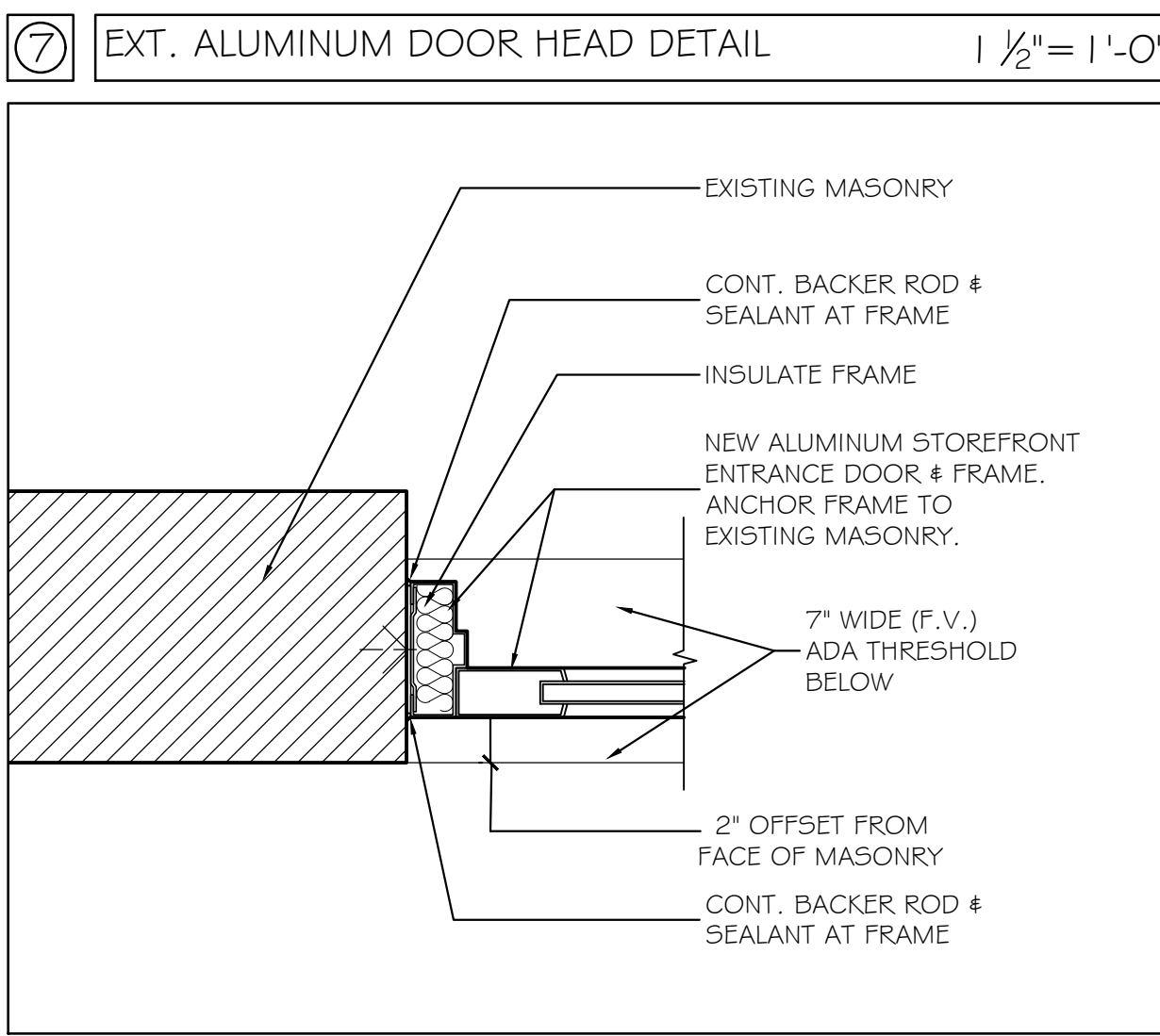
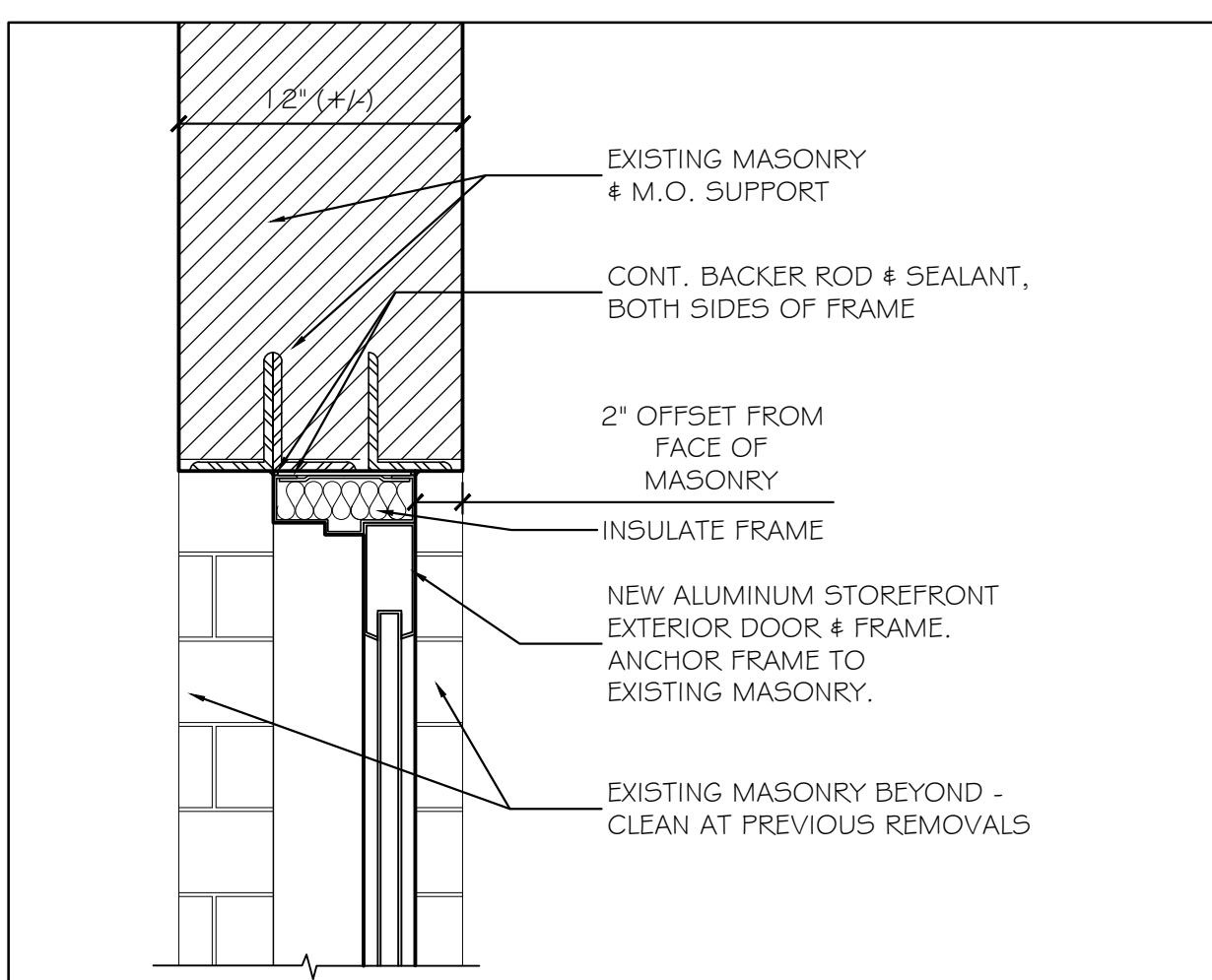
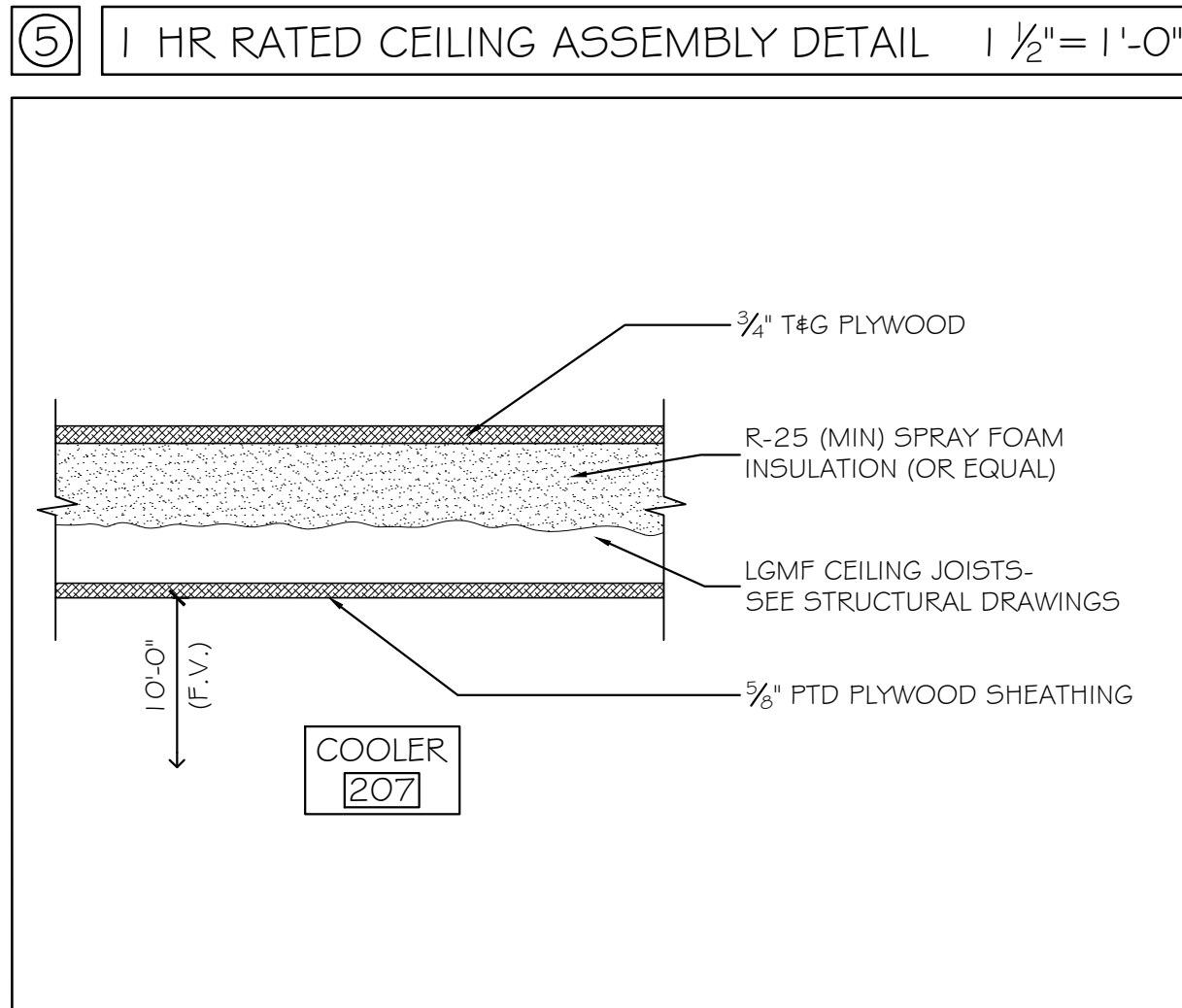
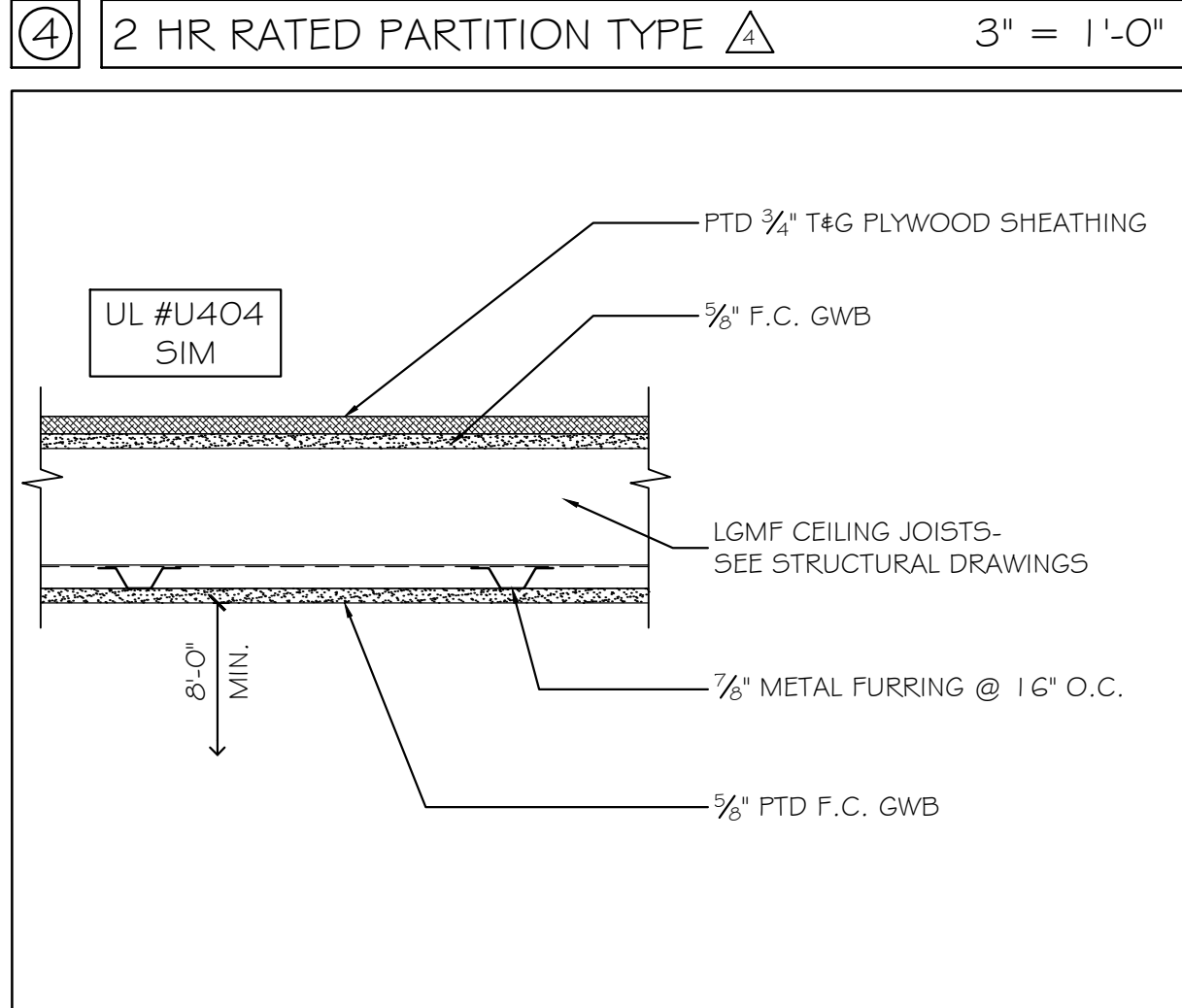
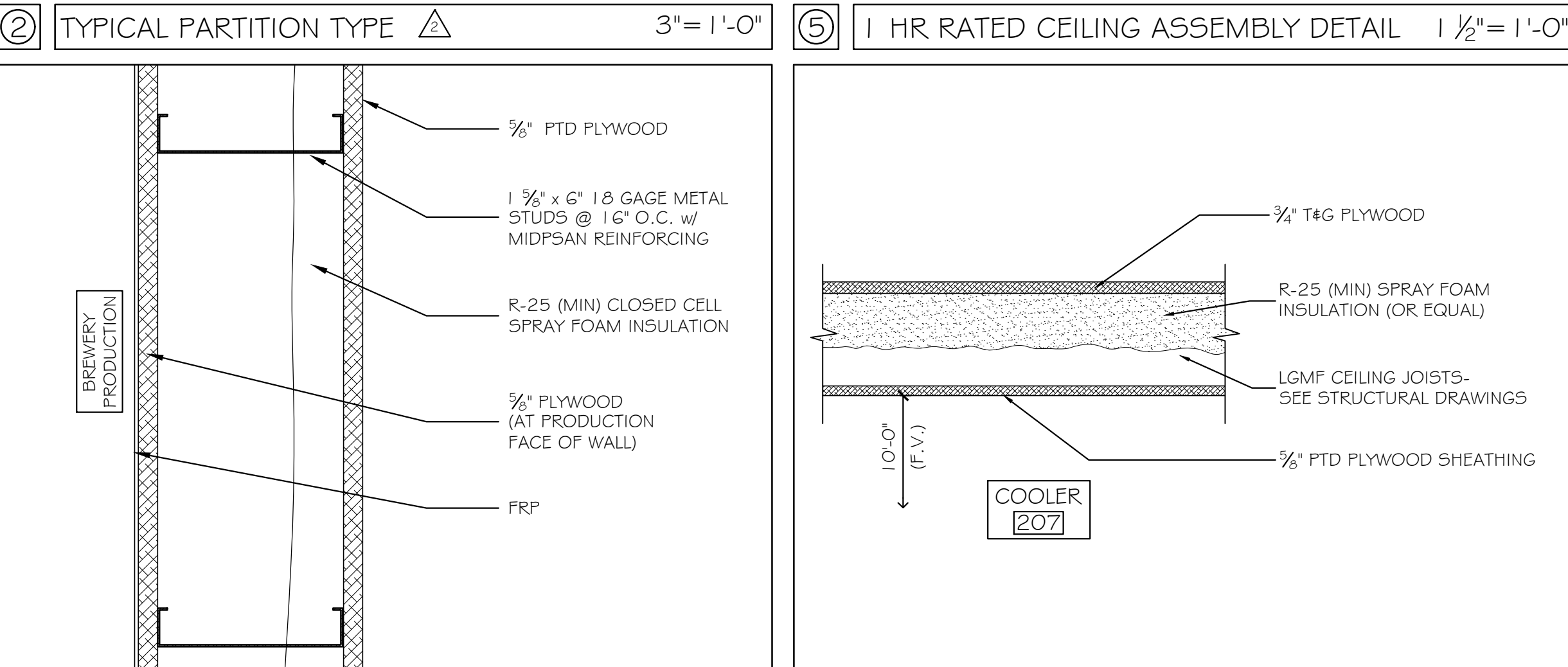
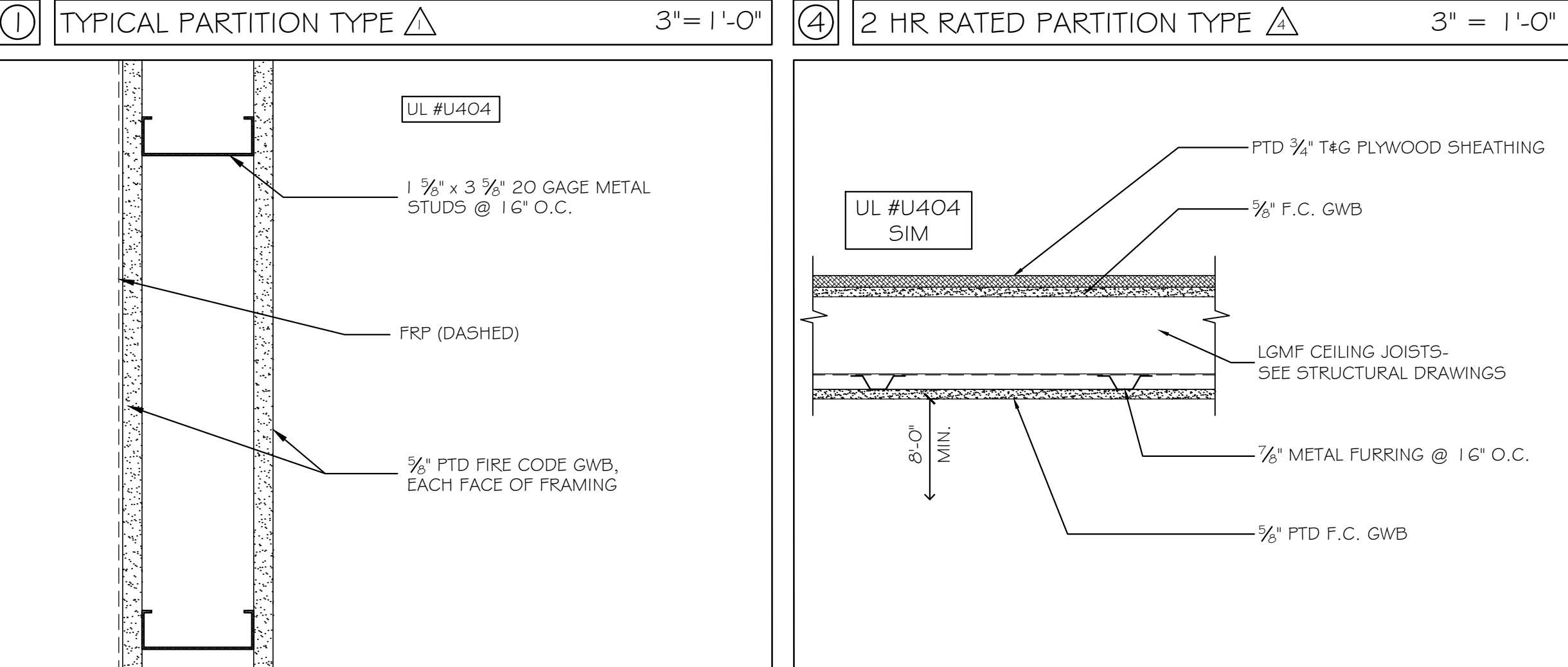
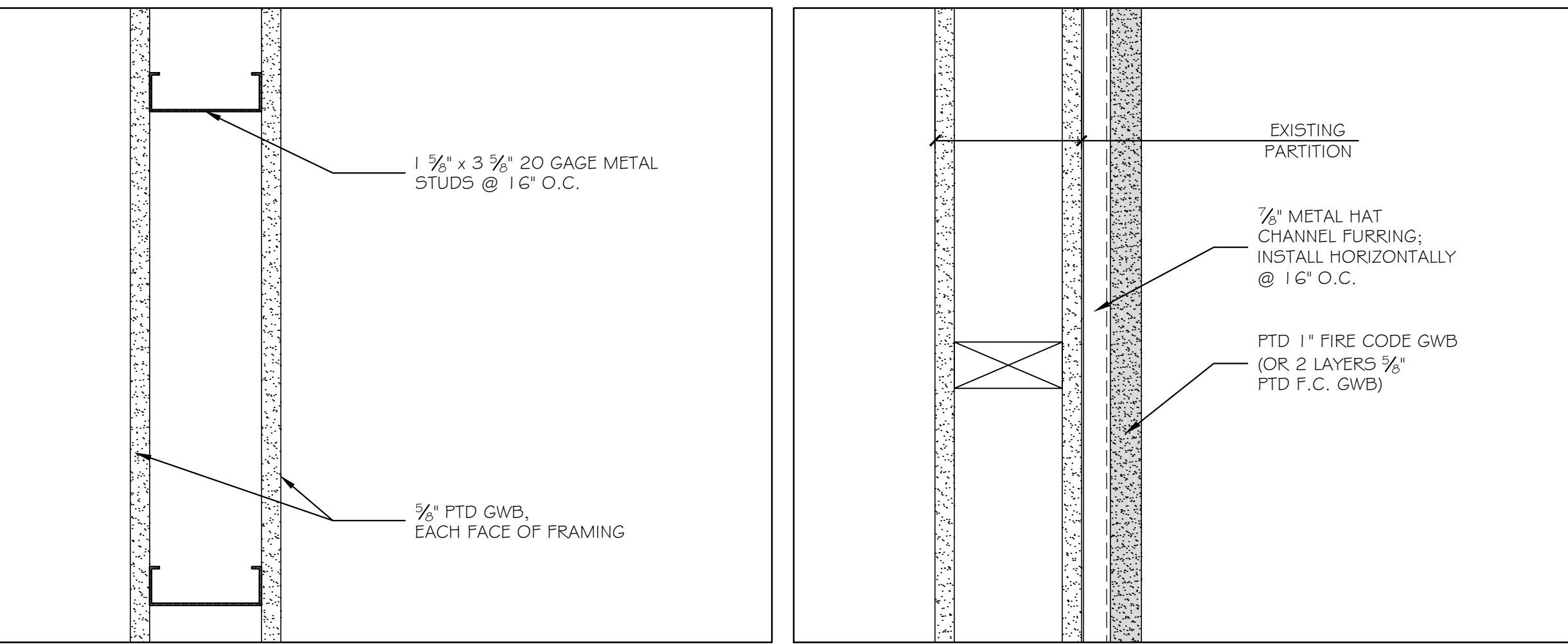


# FINISH SCHEDULE

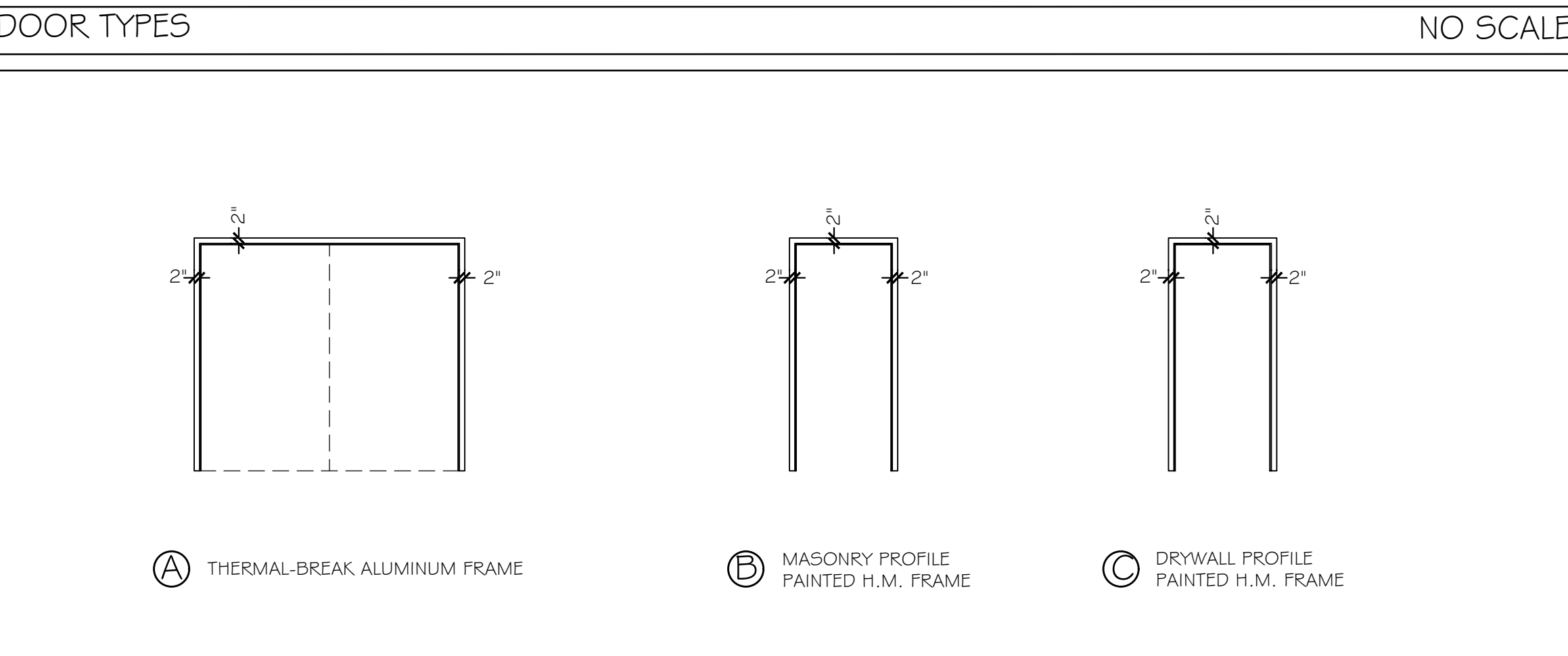
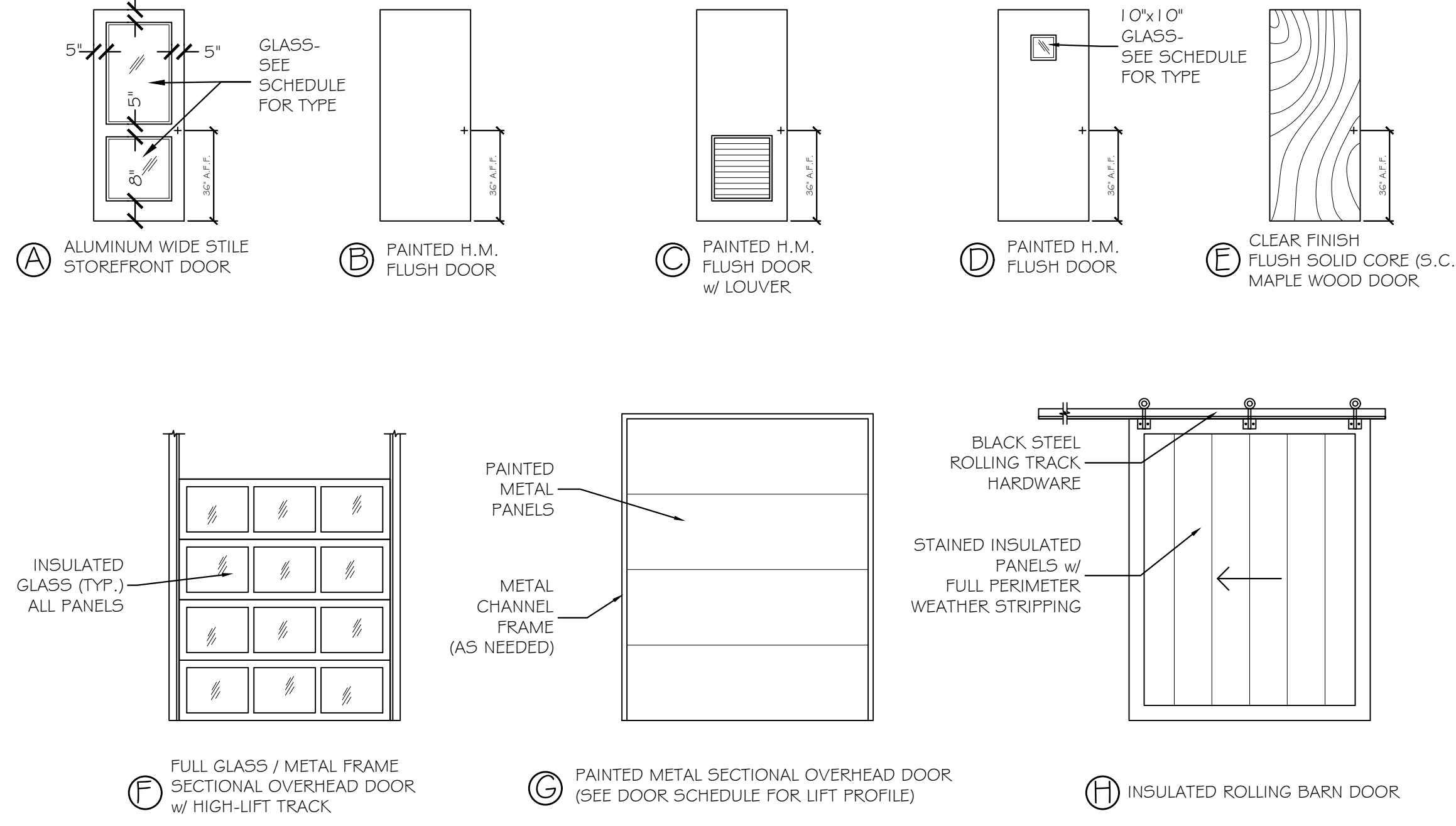
RM NO.	NAME	WALLS				FLOORS				CEILING A		CEILING B		REMARKS
		N	E	S	W	MAT'L	BASE	MAT'L	BASE	TYPE	HT.	TYPE	HT.	
201	TASTING ROOM	E/P	BRICK	E/P	E/P	LVP	E/P	---	---	E/P*	8'-3"	---	---	* CONC. PLANK.
202	ENTRY	BRICK	---	P	E/P	LVP	E/P	---	---	E/P	E	---	---	
203	KITCHEN	P	E/P	E/P	E/P	E	E/P	---	---	E/P	E	---	---	
204	TOILET	E/P	E/P	E/P	E/P	E	E/P	---	---	E/P	E	---	---	
205	UTILITY	E/P	E/P	E/P	E/P	E	E/P	---	---	E/P	E	---	---	
206	TASTING ROOM	BRICK	FRP*	BRICK	E/P	CONC	E/P	---	VCB*	E	E	---	---	* @ COOLER
207	COOLER	P	P	P	P	CONC	VCB	---	---	P	10'-0"	---	---	
208	BREWERY PRODUCTION	BRICK/FRP*	BRICK	BRICK	P/E	CONC	---	---	---	E	E	---	---	* @ COOLER
209	SHIPPING / RECEIVING	BRICK	BRICK	---	FRP*	CONC	---	---	---	P	8'-0"	---	---	* @ COOLER
210	BOILER ROOM	P	P	P	P	CONC	VCB	---	---	P	8'-0"	---	---	
211	ELECTRICAL ROOM	P	P	P	P	CONC	VCB	---	---	P	8'-0"	---	---	
212	MEZZANINE	BRICK	P	BRICK	BRICK	E/P	E/P	---	---	E	---	---	---	

FINISH NOTES:  
 1. COORDINATE FINISHING OF CONCRETE FLOOR @ TASTING ROOM 201 w/ OWNER AFTER REMOVAL OF EXISTING FLOORING.  
 2. PAINT ALL EXISTING / NEW GWB FINISHES & WOOD WALL BASE TRIM.  
 3. EXISTING BRICK & CONCRETE ROOF TS SHALL BE LEFT IN EXISTING CONDITION, U.N.O.  
 4. PROVIDE TRANSITION STRIPS AT CHANGES IN FLOORING MATERIALS.  
 5. REFINISH EXISTING VCT FLOORING TO REMAIN AT [203], [204], & [205].



# DOOR SCHEDULE

NO.	TYPE	SIZE (w x h)	THK	INSUL	HDWE	FR	GLASS TYPE	GLASS SIZE	REMARKS	TYPE	FR	PROF	DETAILS HEAD	DETAILS JAMB	MATERIAL	DETAILS SILL	DETAILS FIN
201	A	6070 PR	1 3/4"	---	HW-1	---	T / TH	FULL		A	---	T-BREAK	7-A3	8-A3	ALUM	1/2" x 7"	---
202	D	3070	1 3/4"	R-10"	HW-2	---	T / TH	10x10	*MINIMUM	B	---	MAS	7-A3 SIM	8-A3 SIM	ALUM	1/2" x 7"	---
203	G	8076	---	R-10"	---	---	---	---		M.O.	---	MFGR	9-A3	10-A3	CONC	---	---
204	F	8076	---	---	---	---	T / TH	FULL		M.O.	---	---	9-A3	10-A3	CONC	---	---
205	E	3070	1 3/4"	---	HW-3	---	---	---		C	---	DW	1-A4	2-A4	CONC	---	---
206	(E)	3070	1 3/4"	---	HW-4	---	---	---		C	---	DW	1-A4	2-A4	CONC	---	---
207	H	8080	1 3/4"	R-10"	HW-5	---	---	---	*MINIMUM	---	---	---	3-A4	4-A4	CONC	5-A4	---
208	C	3070	1 3/4"	---	HW-6	1 HR	---	---	LOUVER SIZE TBV	C	1 HR	DW	1-A4	2-A4	CONC	---	---
209	B	3070	1 3/4"	---	HW-3	---	---	---		C	---	DW	1-A4	2-A4	CONC	---	---
210	B	3066	1 3/4"	---	HW-6	1 HR	---	---		C	1 HR	DW	1-A4	2-14	CONC	---	---
211	D	3070	1 3/4"	---	HW-7	2 HR	FIRELITE	10x10		C	2 HR	DW	1-A4	2-14	TS	---	---
212	(E)	(E)	(E)	---	HW-8	---	---	---	EXISTING	(E)	(E)	(E)	(E)	(E)	(E)	(E)	(E)
E	(E)	(E)	(E)	---	---	---	---	---	EXISTING	(E)	(E)	(E)	(E)	(E)	(E)	(E)	(E)

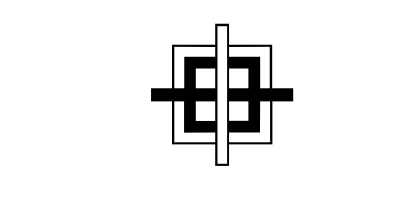


**NO SCALE**

<p><b>HW-1 NEW EXTERIOR PAIR DOORS (BY ALUMINUM DOOR)</b></p> <p>6 BUTTS                  2 EXIT DEVICES WITH EXTERIOR PULLS                  2 DOOR CLOSERS                  1 THRESHOLD                  1 DOOR BOTTOM WEATHERSTRIPPING                  1 SET HEAD &amp; JAMB WEATHERSTRIPPING SET</p> <p><b>HW-2 NEW EXTERIOR DOOR</b></p> <p>3 BUTTS                  1 EXIT DEVICE WITH EXTERIOR PULL                  1 CLOSER                  1 THRESHOLD                  1 DOOR BOTTOM WEATHERSTRIPPING                  1 SET HEAD &amp; JAMB WEATHERSTRIPPING SET</p>	<p><b>HW-3 NEW INTERIOR DOOR</b></p> <p>3 BUTTS                  1 LEVER LOCKSET - PASSAGE FUNCTION                  1 DOOR STOP                  2 FRAME SILENCERS</p> <p><b>HW-4 NEW INTERIOR DOOR</b></p> <p>3 BUTTS                  1 WITH INDICATOR                  1 DOOR STOP                  2 FRAME SILENCERS</p> <p><b>HW-5 NEW INTERIOR DOOR</b></p> <p>1 HEAVY DUTY BLACK IRON SLIDING BARN DOOR TRACK &amp; ROLLERS</p>	<p><b>HW-6 NEW INTERIOR RATED DOOR</b></p> <p>3 BUTTS                  1 LEVER LOCKSET - PASSAGE FUNCTION                  1 CLOSER                  2 FRAME SILENCERS  <b>HW-7 NEW INTERIOR RATED DOOR</b></p> <p>3 BUTTS                  1 EXIT DEVICE WITH EXTERIOR PULL                  1 CLOSER                  2 FRAME SILENCERS</p> <p><b>HW-8 EXISTING EXTERIOR DOOR</b></p> <p>REMOVE EXISTING LOCKSET - PLUG OPENINGS                  1 EXIT DEVICE WITH EXTERIOR PULL                  1 CLOSER</p>
--	---	--

# HARDWARE SETS

**NO SCALE**



GRANT HAY  
 ASSOCIATES



GOODFIRE  
 BREWING COMPANY

219 ANDERSON STREET  
 PORTLAND, MAINE 04102

PARTITIONS,  
 DOORS &  
 FINISHES

DATE: 13 FEB 2017  
 SCALE: A/NOTED  
 DRAWN: MFH/mgk  
 JOB NO: 161001

**A-3**

COPYRIGHT REPRODUCTION OR REUSE OF THIS DOCUMENT WITHOUT WRITTEN PERMISSION FROM GRANT HAY ASSOCIATES IS PROHIBITED.