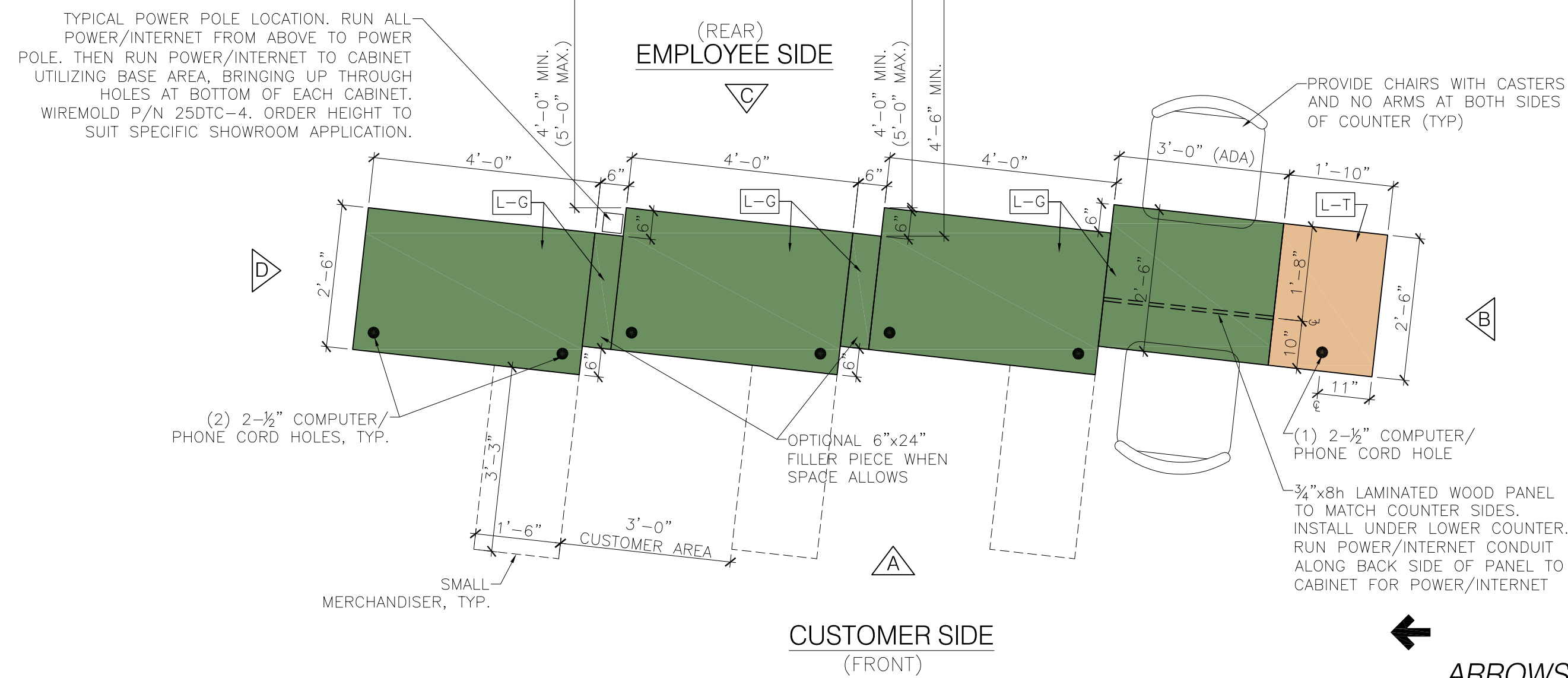


LAMINATE TYPE AND COLORS:

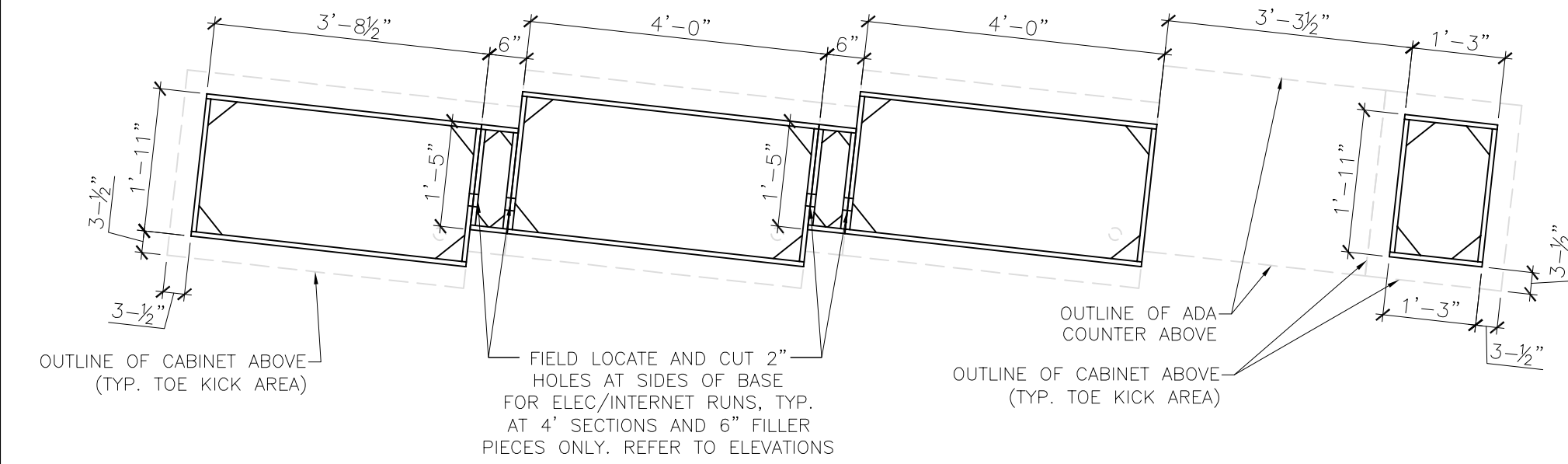
SIDE/FRONT: MANUFACTURER: WILSONART
 COLOR: NATURAL TIGRIS
 PART: # 4669-60

TOP: MANUFACTURER: NEVAMAR
 COLOR: GREEN MATRIX II
 PART: # MRS007T

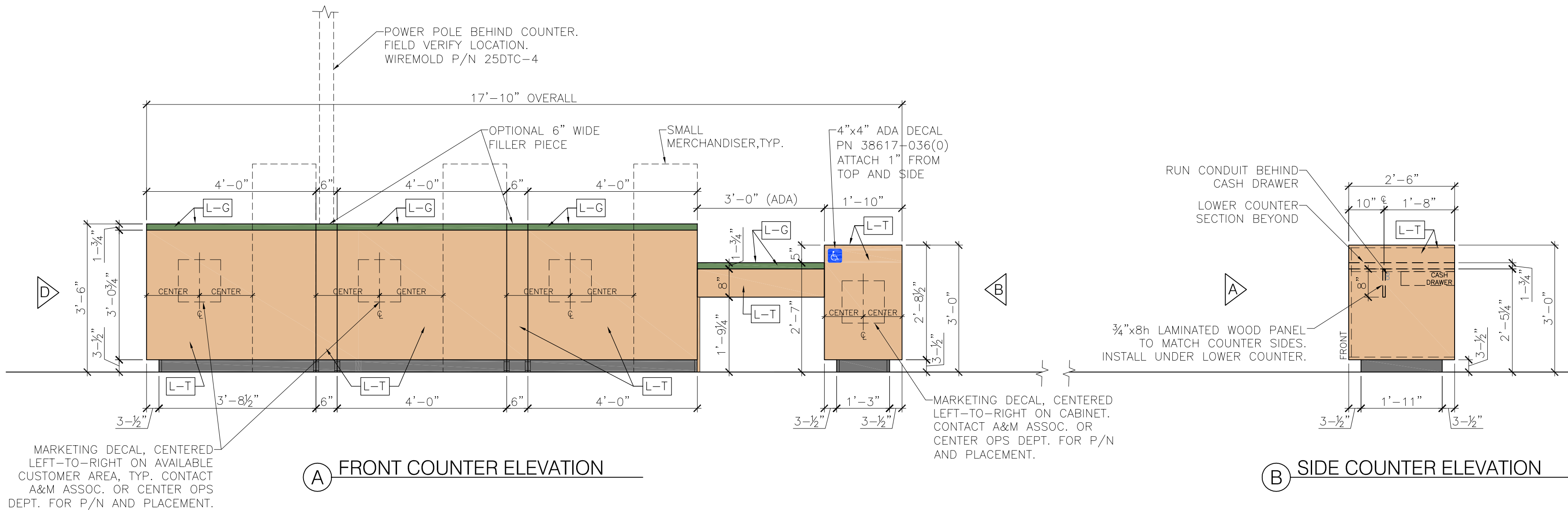
- ALL MEMBERS ARE TO BE 3/4" CABINET "B" GRADE PLYWOOD, UNLESS OTHERWISE SPECIFIED, FOR OPTIMAL LAMINATE ADHESION.
- VERTICAL PARTITIONS TO BE 3/4" MIN. CABINET "B" GRADE PLYWOOD. PAINT INTERIOR SIDE "ULTRA WHITE", TYP.
- ALLOW 3" FROM BACK WALL TO SHELVES FOR CABLE RUNS
- CABINET BASE TO BE CONSTRUCTED WITH 3/4" PLYWOOD, THEN PAINTED BLACK. WHEN INSTALLING BASE, SHIM TO FLOOR TO PROVIDE LEVEL SURFACE FOR CABINET INSTALLATION.
- USE COMMERCIAL GRADE LAMINATE ADHESIVE FOR ALL LAMINATED SURFACES.
- LAMINATE TO BE TRIMMED WITH A BEVELED LAMINATE ROUTER BIT OR ANGLED EDGE TRIMMER. THEN FINISH BY SANDING THE EDGES. ENSURE THAT LAMINATE IS NOT LONGER THAN COUNTERTOPS, SO THAT LAMINATE WILL NOT "BUCKLE" OR CHIP AFTER COUNTERS ARE INSTALLED AND SECURED TOGETHER.
- WHERE SPACE IS AN ISSUE, YOU MAY REDUCE OVERALL COUNTER DEPTH TO 24", AND 4'-0" MIN. OFF REAR WALL.
- ALL INQUIRIES SHOULD BE MADE TO CENTER SALES AND OPS SUPPORT DEPARTMENT (BOB WESSON, KEN PARKER, CINDY LYCANS AND/OR STEVE DUDLEY) REGARDING COUNTER EQUIPMENT AND SETUP.



COUNTER - PLAN VIEW Scale: 1/2" = 1'-0"

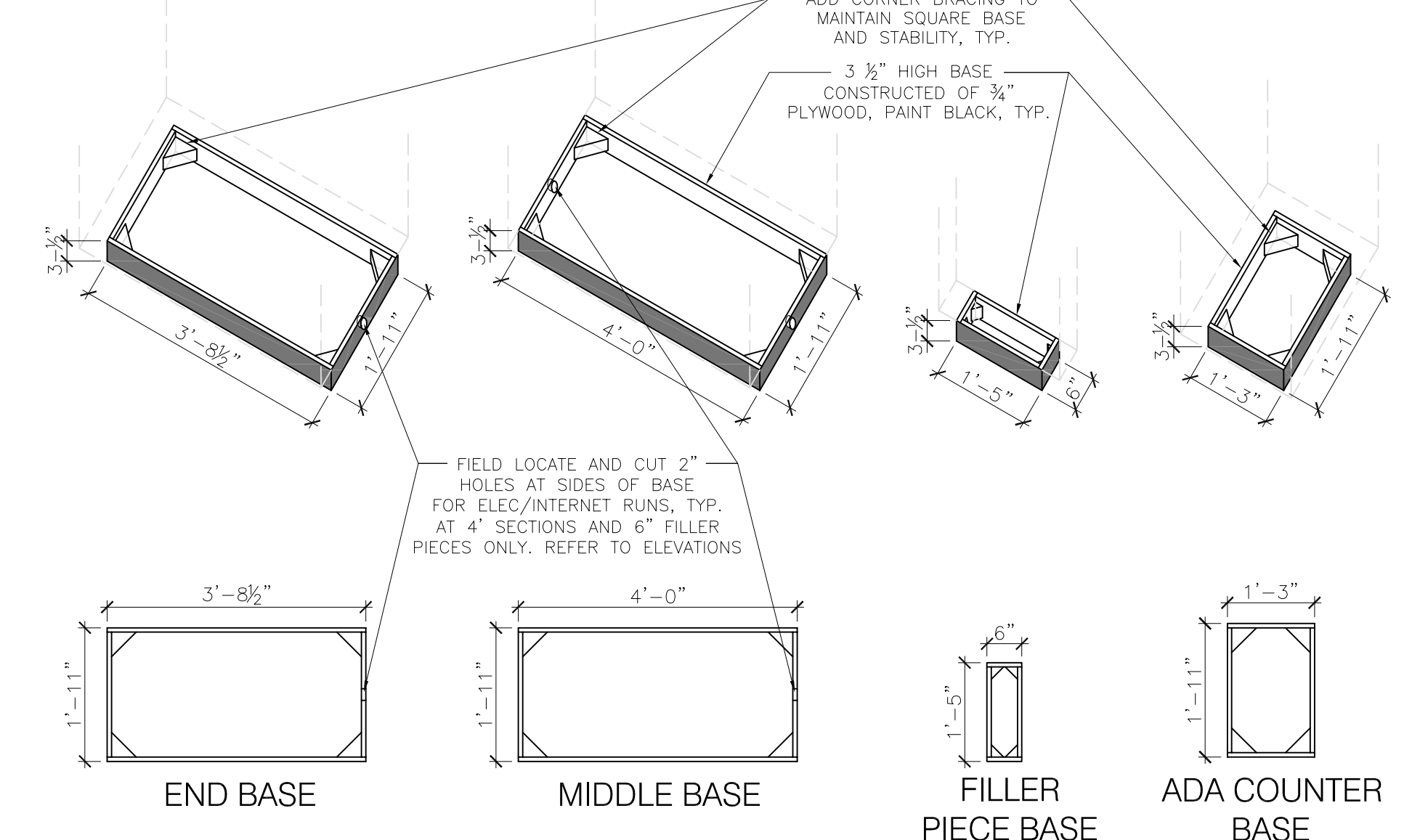


COUNTER BASE - PLAN VIEW Scale: 1/2" = 1'-0"

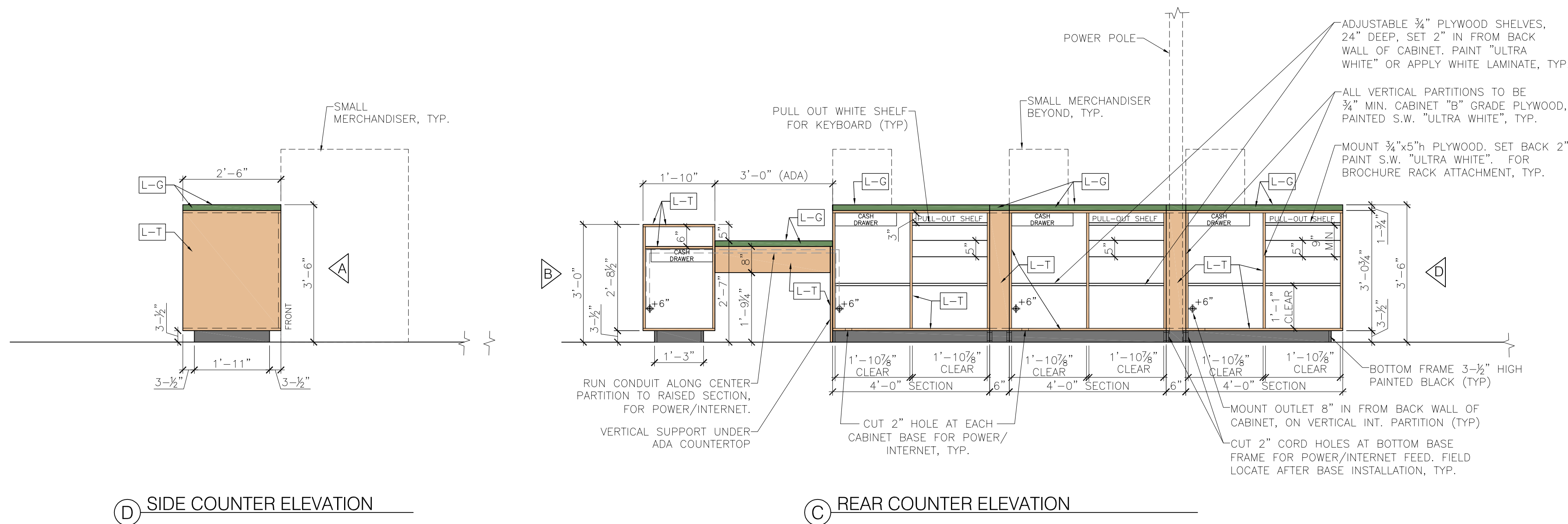


(A) FRONT COUNTER ELEVATION

(B) SIDE COUNTER ELEVATION

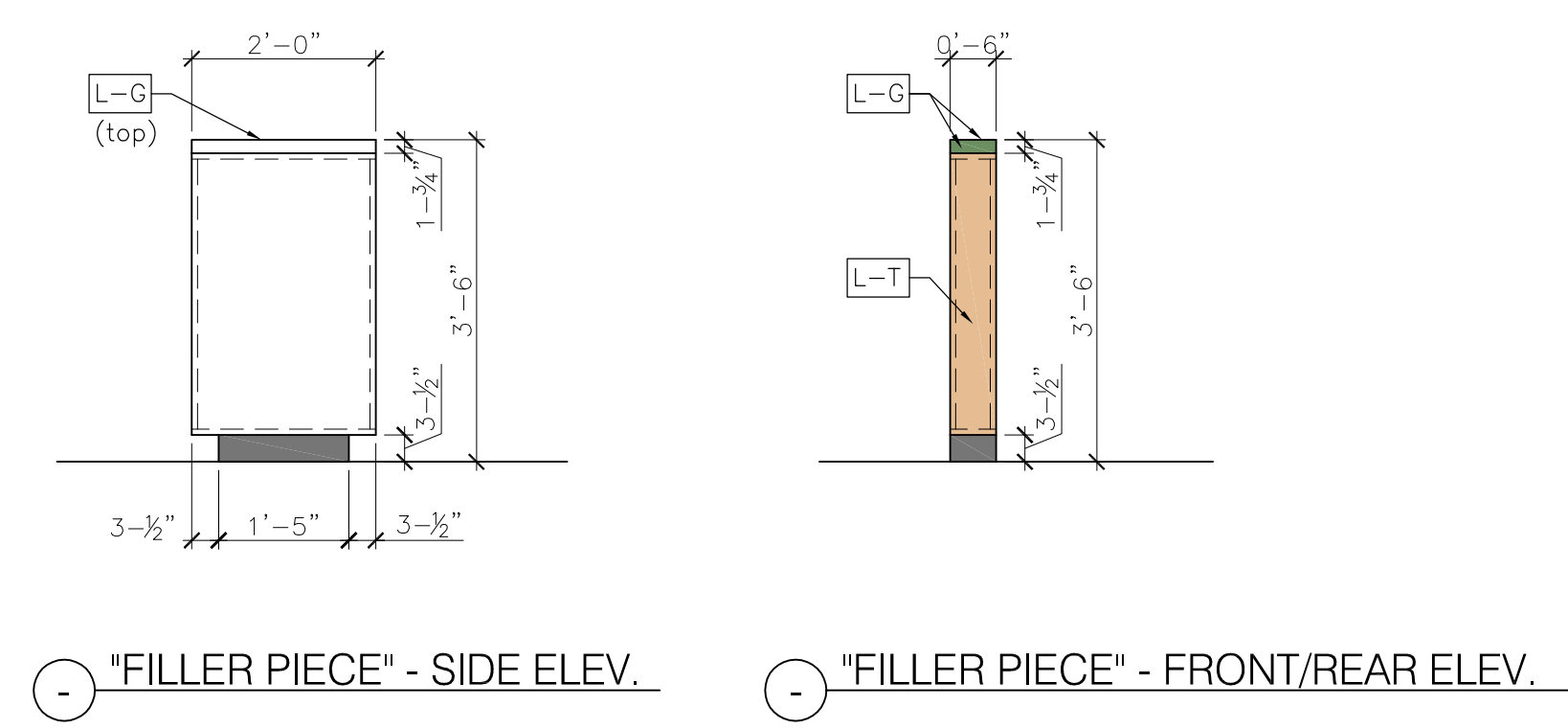


COUNTER BASE FRAMES Scale: 1/2" = 1'-0"



(D) SIDE COUNTER ELEVATION

(C) REAR COUNTER ELEVATION



OPTIONAL 6" WIDE FILLER PIECE Scale: 1/2" = 1'-0" (when plotted 1:1 on 24x36 paper)

NOTES

GENERAL NOTES:

This drawing is available to download from PROPERTY.UHAUL.COM Go to "Standard Details" under the "Construction" tab

REVISIONS:

NO.	DATE	INITIALS	NOTES
1	11/10/14	NH	REVISE GREEN LAMINATE NAME / PART NUMBER
2			
3			
4			
5			
6			
7			
8			

PROFESSIONAL SEAL:

ARCHITECT LOGO:

AMERCO
 REAL ESTATE COMPANY

CONSTRUCTION DEPARTMENT
 2727 NORTH CENTRAL AVENUE
 PHOENIX, ARIZONA 85004
 P: (602) 263-6502
 F: (602) 277-1026

SITE ADDRESS:

SHEET CONTENTS:
 STANDARD 4 FT.
 COUNTER DETAIL

ADA Counter to LEFT

CNTR-L

DRAWN: UH
 CHECKED: UH
 DATE: 10/14/13
 3-3.0a

COUNTER4FT-ADA-L

COUNTER ELEVATIONS Scale: 1/2" = 1'-0"