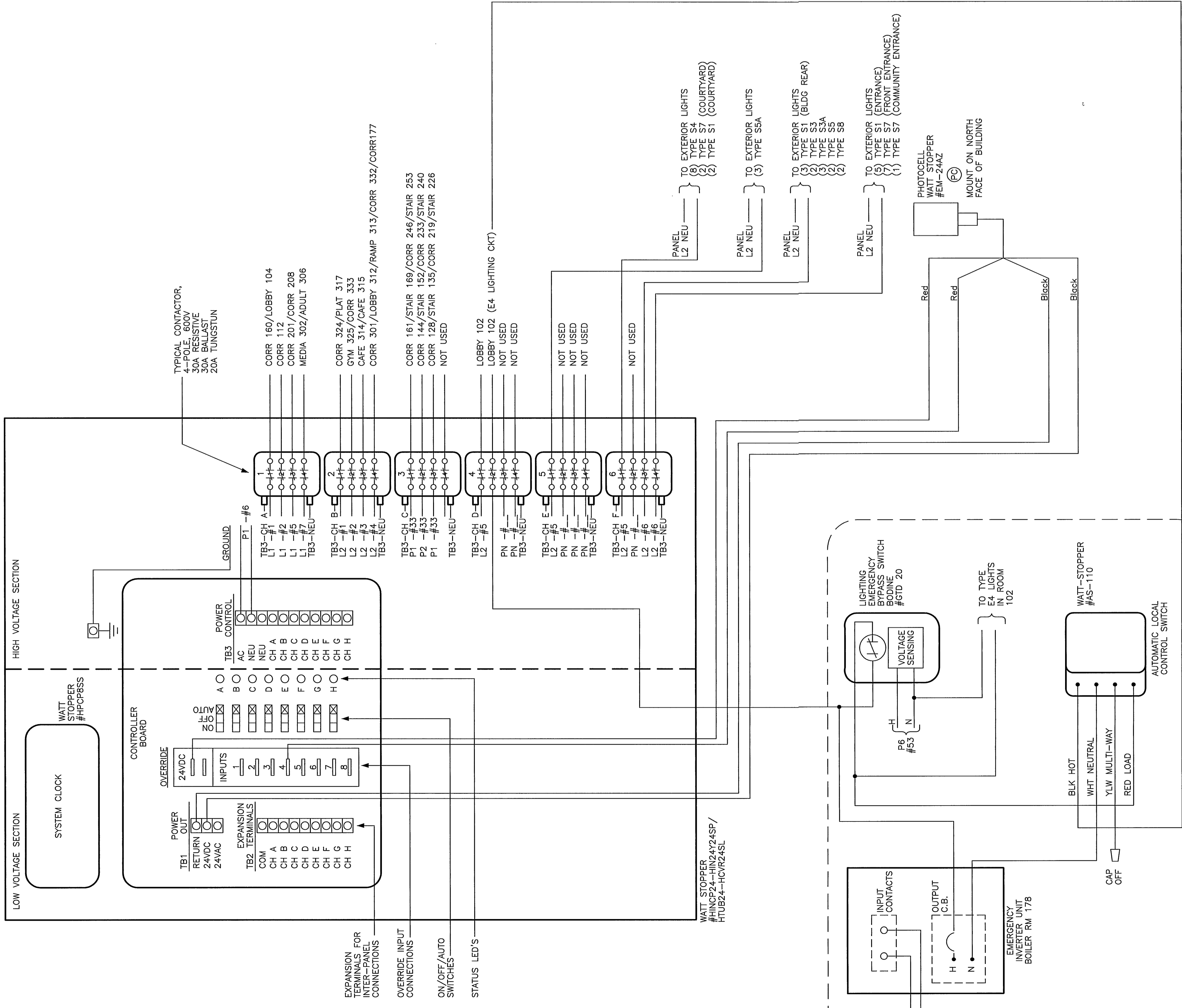
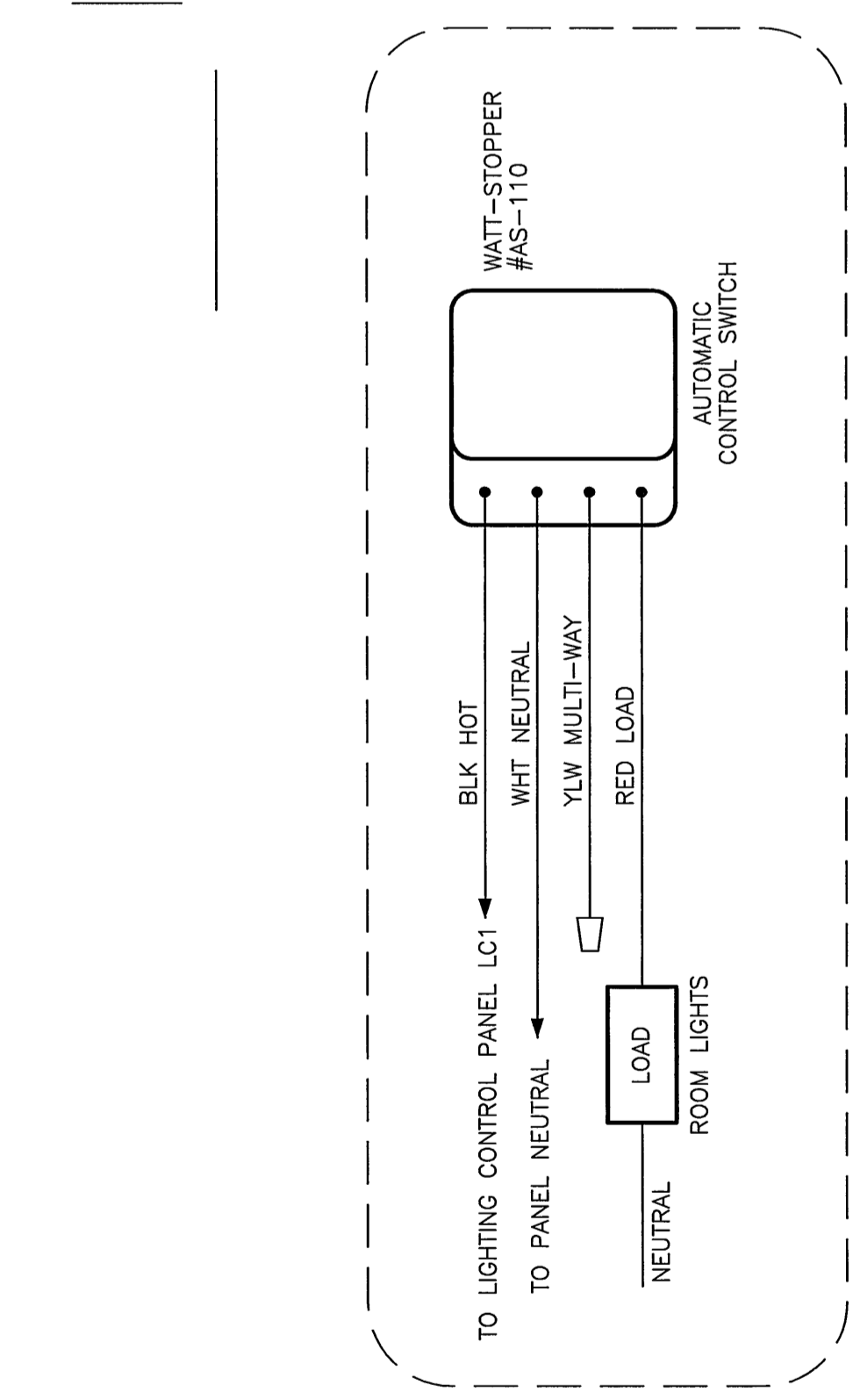


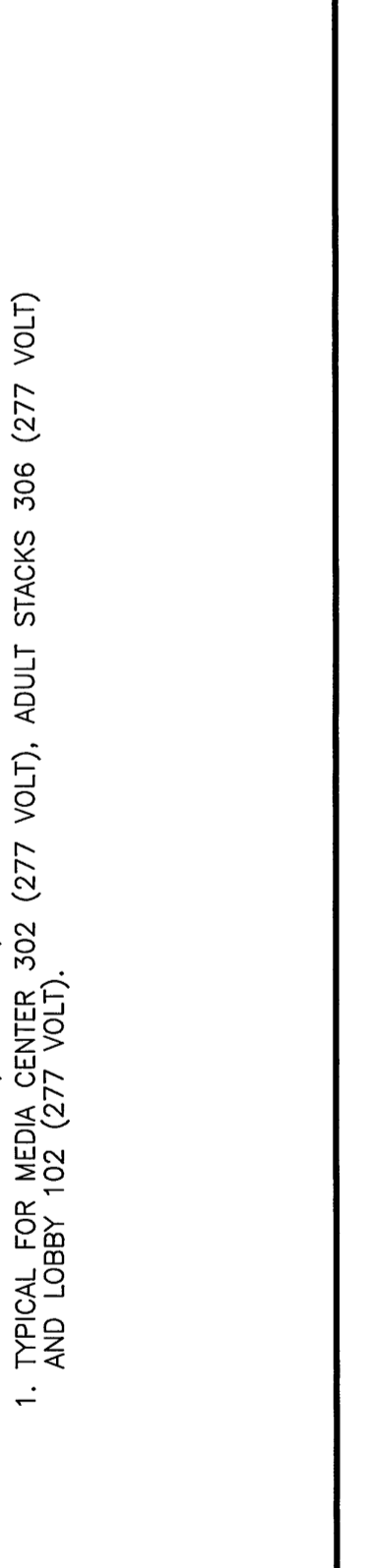
**AUTOMATIC LIGHTING CONTROL PANEL LC1**



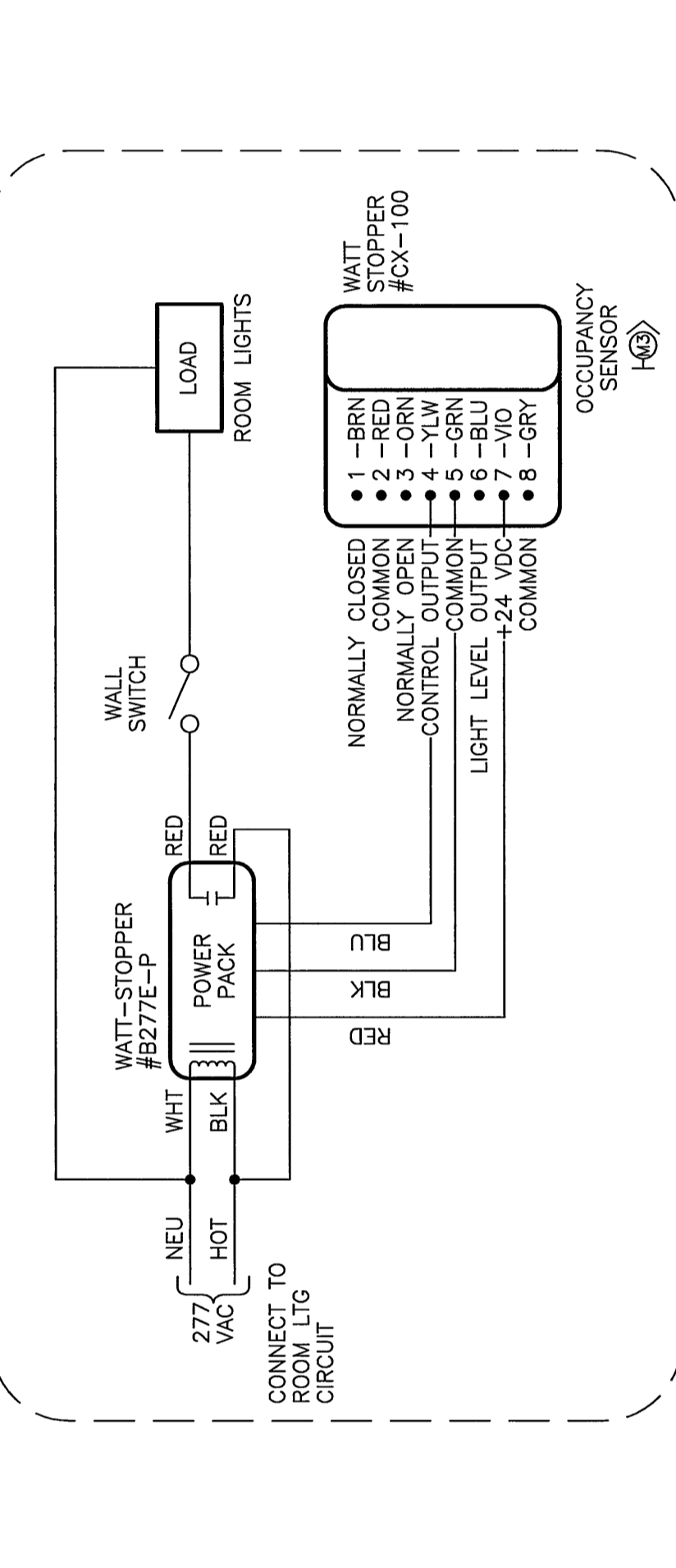
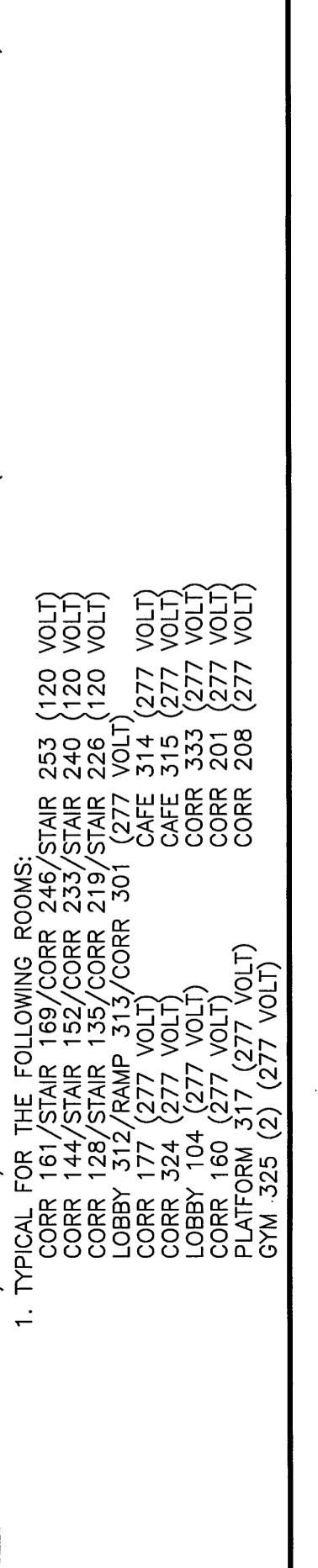
**TIME-CONTROLLED LIGHTING CONTROL DIAGRAM**



**TYPICAL ON/OFF/OVERRIDE SWITCH DIAGRAM**

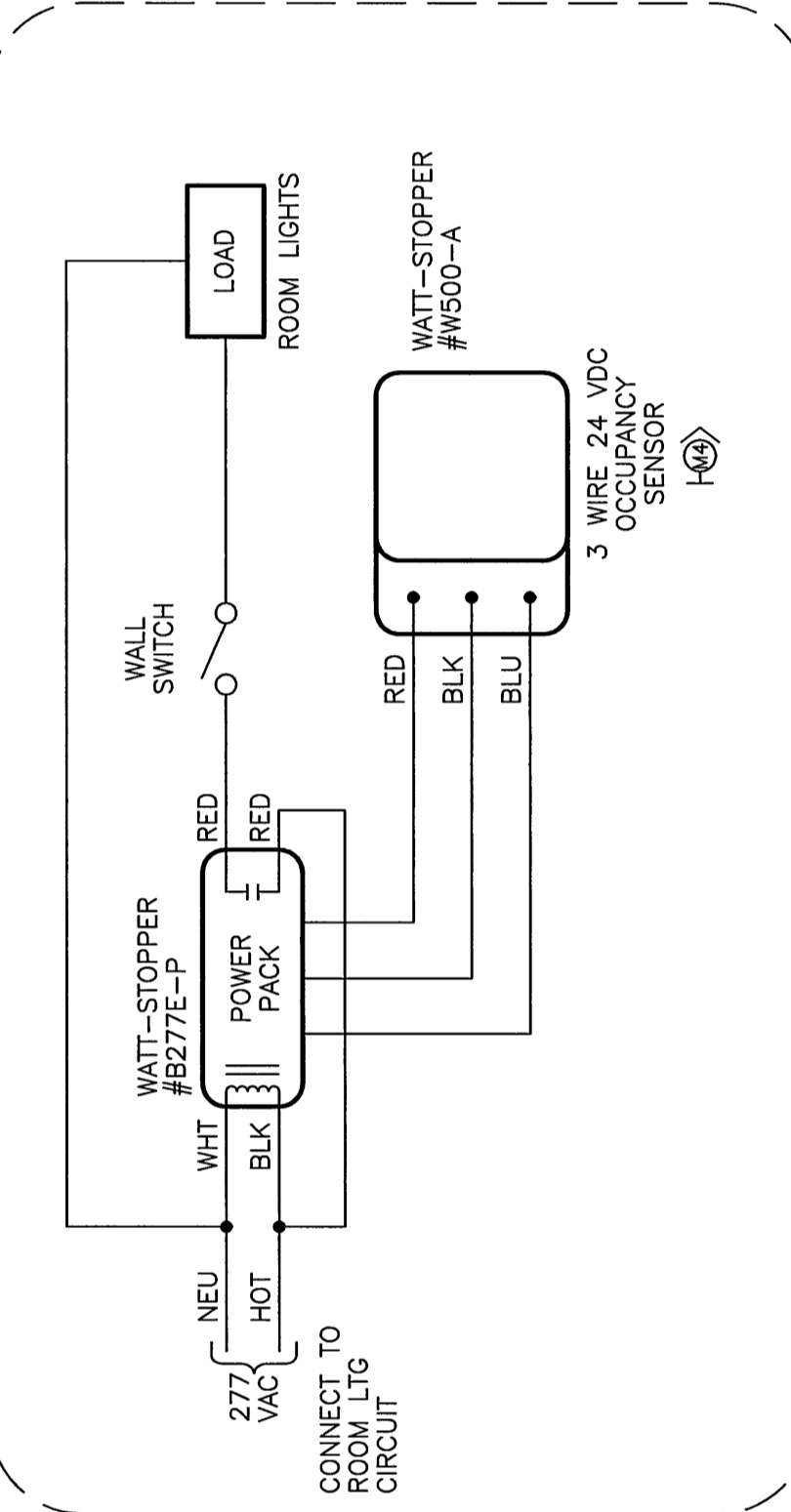


**TYPICAL ON/OFF/OVERRIDE SWITCH DIAGRAM (3-WAY SWITCHING)**



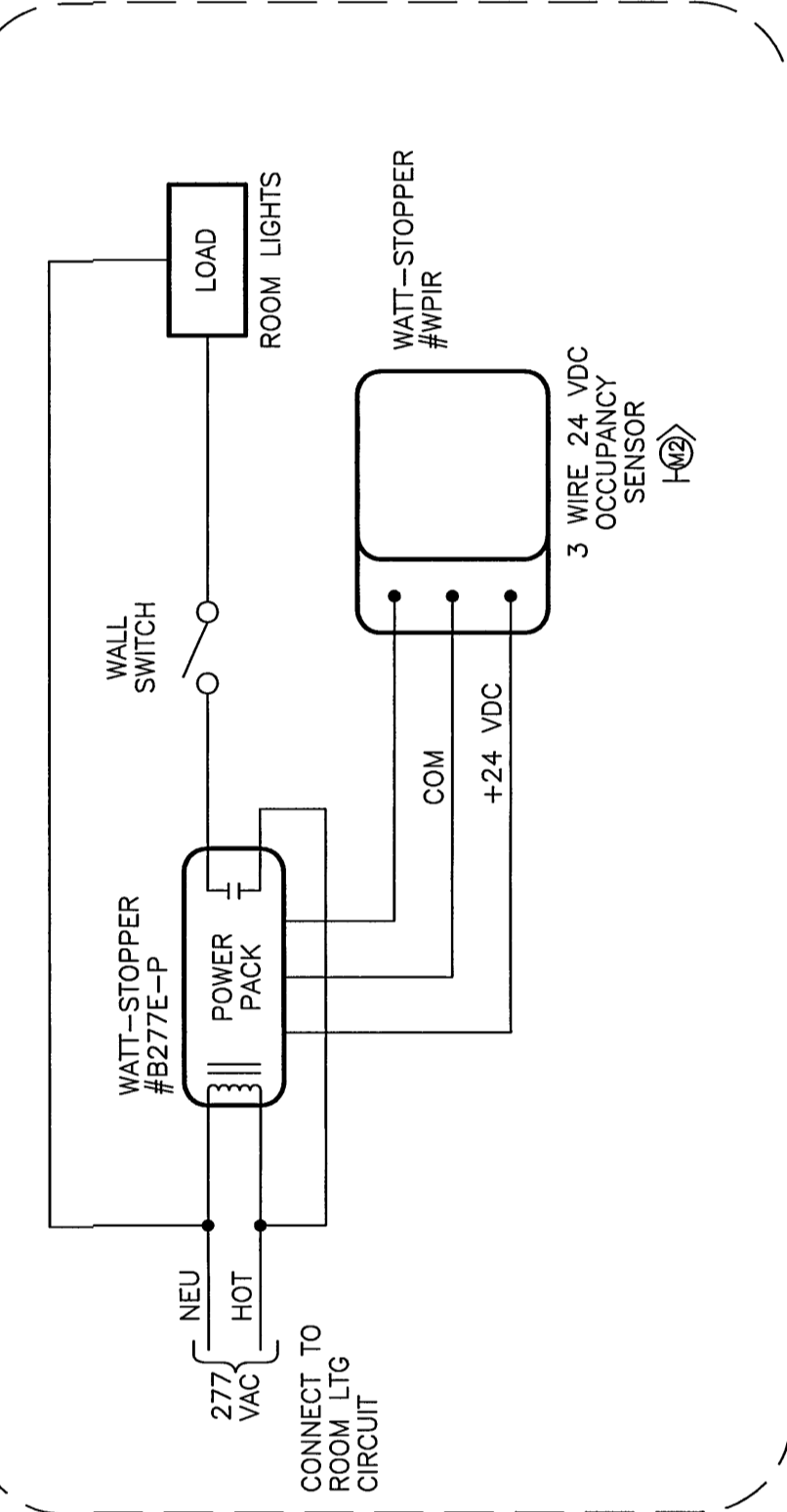
**TYPICAL LARGE ROOM LIGHTING CONTROL DIAGRAM (SINGLE SENSOR)**

1. INSTALL POWER PACK AT A JUNCTION BOX ABOVE CEILING OVER ENTRANCE DOOR TO ROOM.



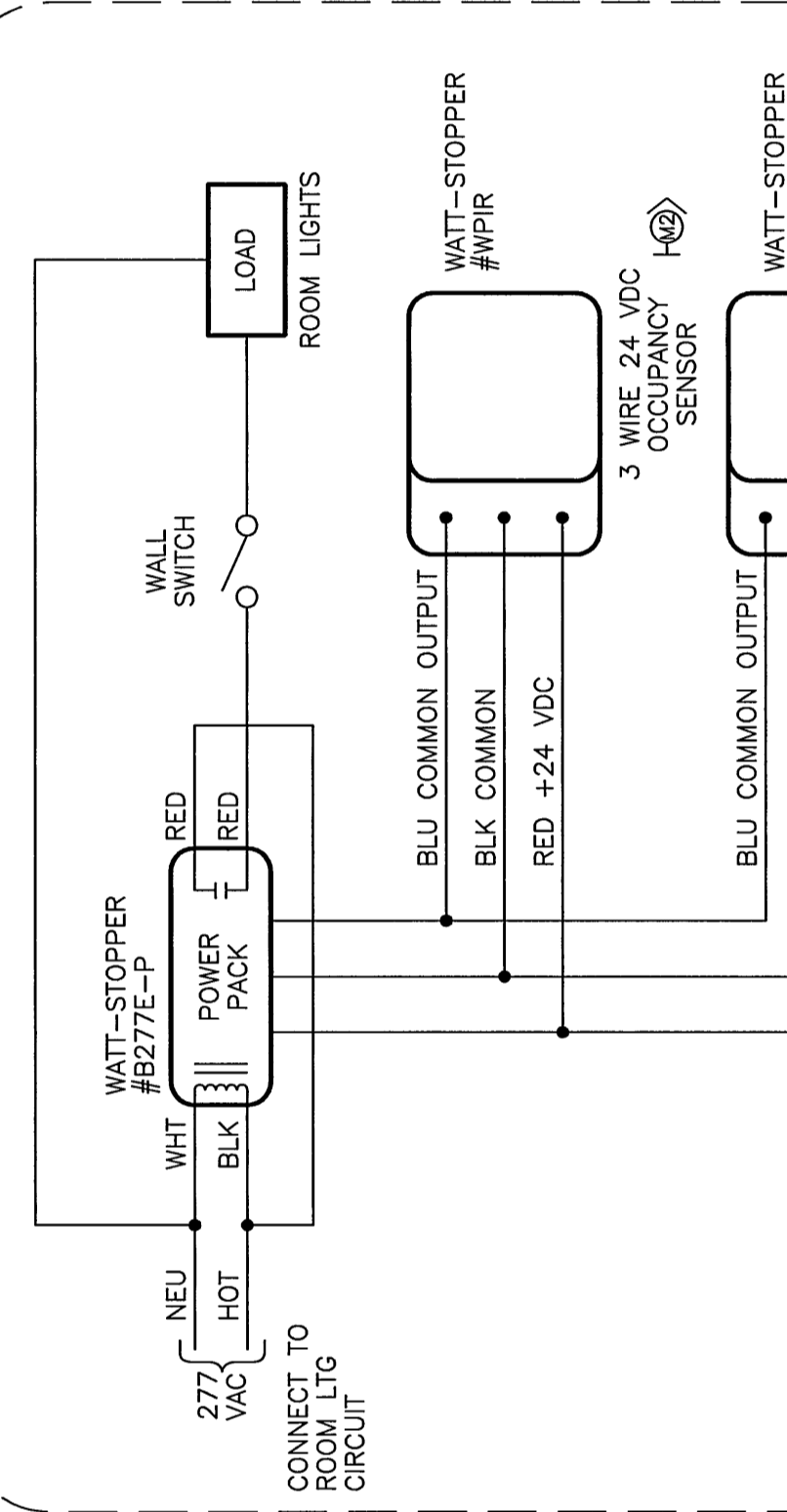
**TYPICAL SMALL TOILET ROOM LIGHTING CONTROL DIAGRAM**

1. INSTALL POWER PACK AT A JUNCTION BOX ABOVE CEILING OVER ENTRANCE DOOR TO ROOM.
2. POWER PACK SHALL BE RATED FOR 277 VOLTS EXCEPT AT THE FOLLOWING LOCATIONS WHERE THEY SHALL BE RATED 120 VOLTS: 129, 133, 238, 241, 221, 223, 224, 227
3. INSTALL OCCUPANCY SENSOR AT CEILING IN CENTER OF ROOM, OR OVER CENTER OF STALLS (WHERE PRESENT), WITH THE RECEIVER AIMED TOWARDS ROOM ENTRY.



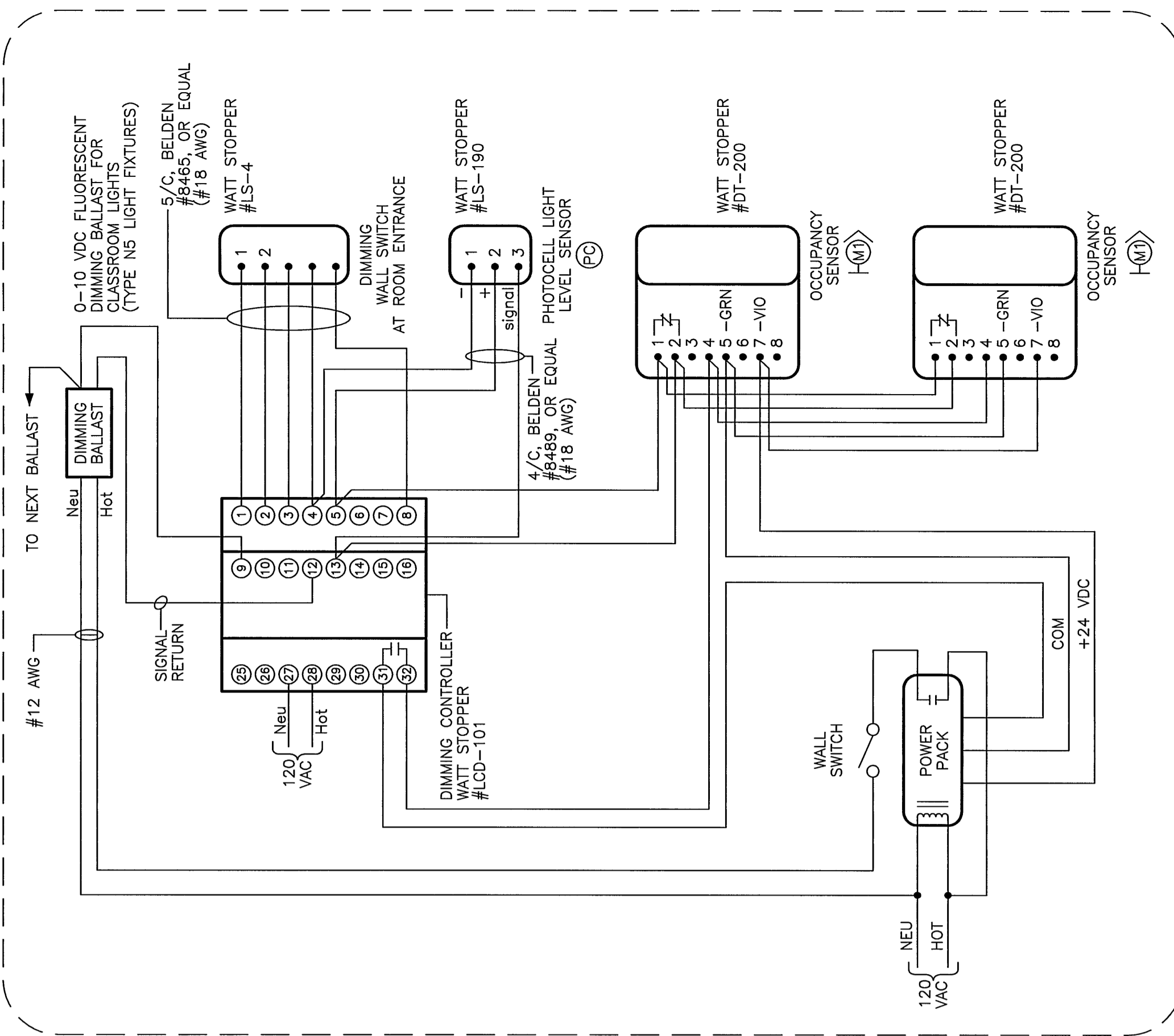
**TYPICAL SMALL ROOM LIGHTING CONTROL DIAGRAM**

1. INSTALL POWER PACK AT A JUNCTION BOX ABOVE CEILING OVER ENTRANCE DOOR TO ROOM.
2. POWER PACK SHALL BE RATED 120 VOLTS EXCEPT AT THE FOLLOWING LOCATIONS WHERE THEY SHALL BE RATED 277 VOLTS: 129, 133, 238, 241, 221, 223, 224, 227
3. INSTALL OCCUPANCY SENSOR AT CEILING OVER CENTER OF ROOM, OR OVER CENTER OF STALLS (WHERE PRESENT), WITH THE RECEIVER AIMED TOWARDS ROOM ENTRY.



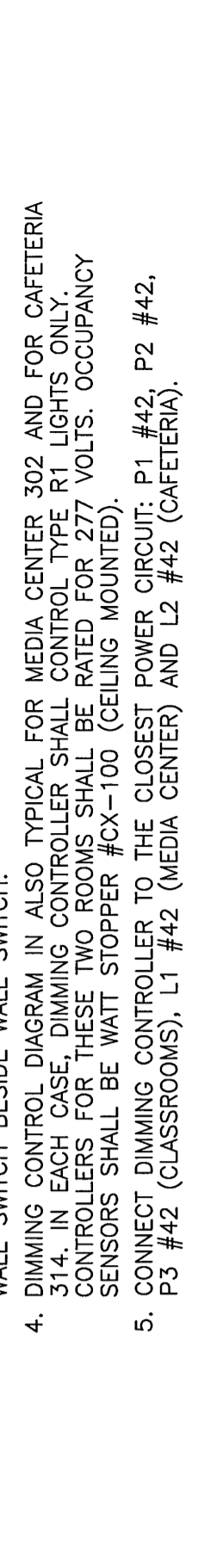
**TYPICAL GYM CHANGING ROOM LIGHTING CONTROL DIAGRAM**

1. INSTALL POWER PACK AT A JUNCTION BOX ABOVE CEILING OVER ENTRANCE DOOR TO ROOM.
2. TOWARDS ROOM ENTRY. INSTALL M2 OCCUPANCY SENSOR AT CEILING OF ROOM ENTRY FOYER.



**TYPICAL CLASSROOM LIGHTING CONTROL DIAGRAM**

1. INSTALL POWER PACK AT A JUNCTION BOX ABOVE CEILING OVER DOOR FROM CORRIDOR.
2. PHOTOCELL SENSOR SHALL BE INSTALLED AT THE CEILING IMMEDIATELY ADJACENT TO THE CLERESTORY WINDOW. VERIFY EXACT LOCATION WITH ENGINEER PRIOR TO INSTALLATION.
3. INSTALL SWITCH BESIDE WALL SWITCH INSIDE THE DOOR FROM CORRIDOR. INSTALL DIMMING CONTROLLER IN ALSO TYPICAL FOR MEDIA CENTER, 302 AND FOR CAFETERIA.
4. DIMMING CONTROL DIAGRAM IN ALSO TYPICAL FOR MEDIA CENTER, 302 AND FOR CAFETERIA.



**TYPICAL LARGE ROOM LIGHTING CONTROL DIAGRAM (2 SENSORS)**

1. INSTALL POWER PACK AT A JUNCTION BOX ABOVE CEILING OVER ENTRANCE DOOR TO ROOM.
2. TYPICAL FOR ROOMS 178, 321, 308, 309, 311, 113, 123, 119, 124, 125, 340 AND 338.

**GENERAL NOTES**

1. MODEL NUMBERS REFER TO PRODUCTS AS MANUFACTURED BY WATT-STOPPER. ALSO APPROVED AS EQUIVALENT PRODUCTS MANUFACTURED BY LIGHTING CONTROL ASSOCIATES.
2. LOCATE OCCUPANCY SENSORS AS DIRECTED BY NOTES ON CONTROL DIAGRAMS.
3. WHERE NO DIRECTION IS LISTED, LOCATE AS SHOWN ON PLANS.

**East End Elementary School**  
Portland, Maine

Job No.: 089  
Scale: 1/8" = 1'-0"  
Drawn by: jr  
Checked by: lb

Drawing Title:  
**Lighting Control Diagram**

**E4.5**

---

Consultants:  
Civil Engineer  
Landscape Architect  
Control Associates  
DeLuca-Hoffman Associates

Structural Engineer  
Mechanical Engineer  
Electrical Engineer  
Barnett Engineering  
Berlett Design  
Klein Design  
TJH Consulting  
Fire Solutions

Lawrence  
Architects  
Portland, ME

10 Dunbar Street  
Portland, ME 04108  
Tel: 603.778.1100  
Fax: 603.778.1105  
Email: info@larchitects.com