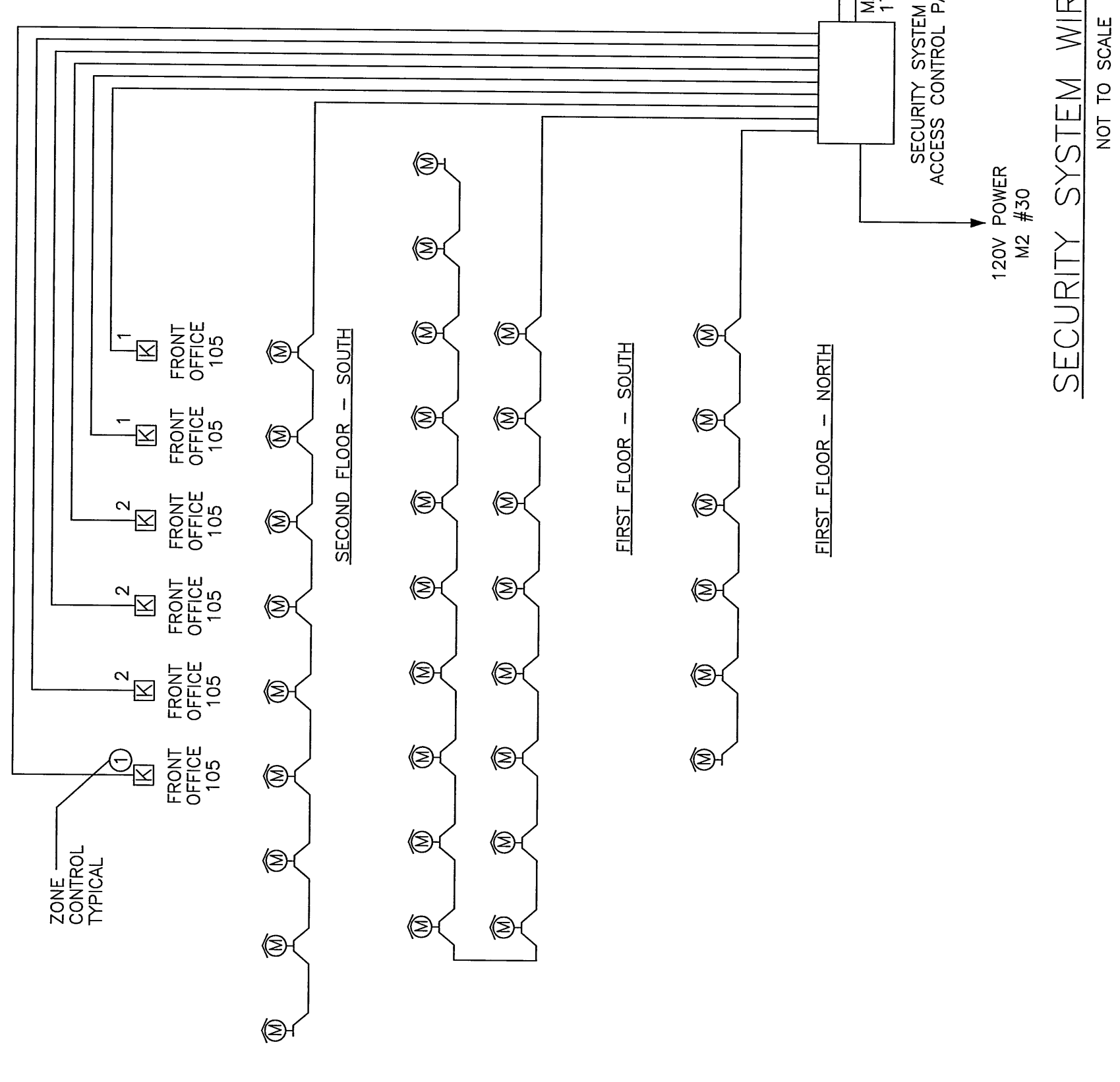


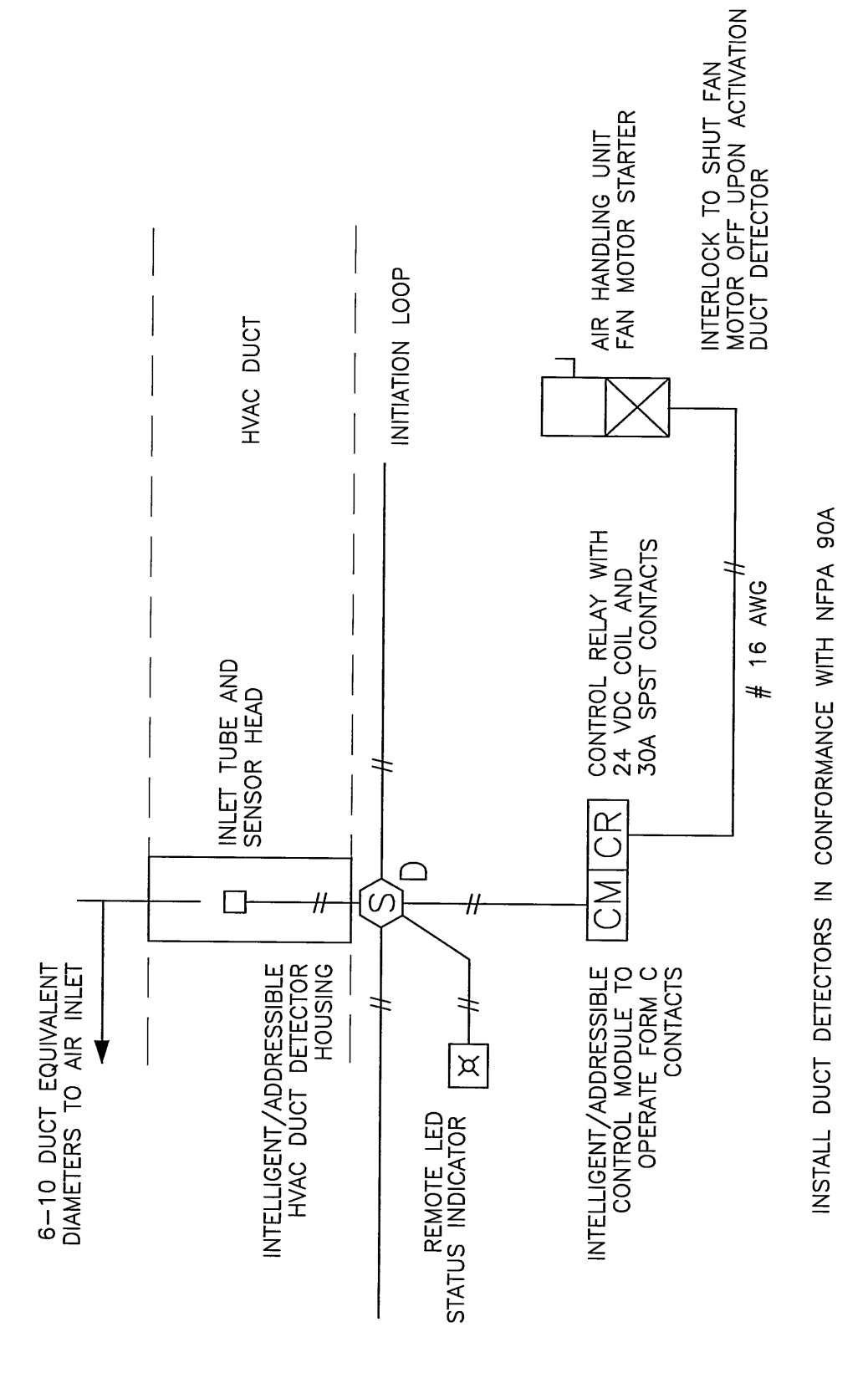
SECURITY_ZONE_KEY_PLAN
NOT TO SCALE

- SECURITY SYSTEM WIRING DIAGRAM NOTES
- ITEMS MARKED "K" ARE PROVIDED BY THE DOOR HARDWARE SUPPLIER.
 - PROVIDE ALL NECESSARY INTER-CONNECTING WIRING TO THE CONTROL PANEL AND FUNCTIONING SYSTEM.
 - WIRING SHALL BE 24" VDC.
 - PROVIDE ALL KEYPAD STATIONS UNDER THE BASE BID. PROVIDE ONLY THE FOLLOWING KEYPAD STATIONS UNDER ALT #10 #8:
STAIR 169
CORR 177
CORR 177
CORR 324

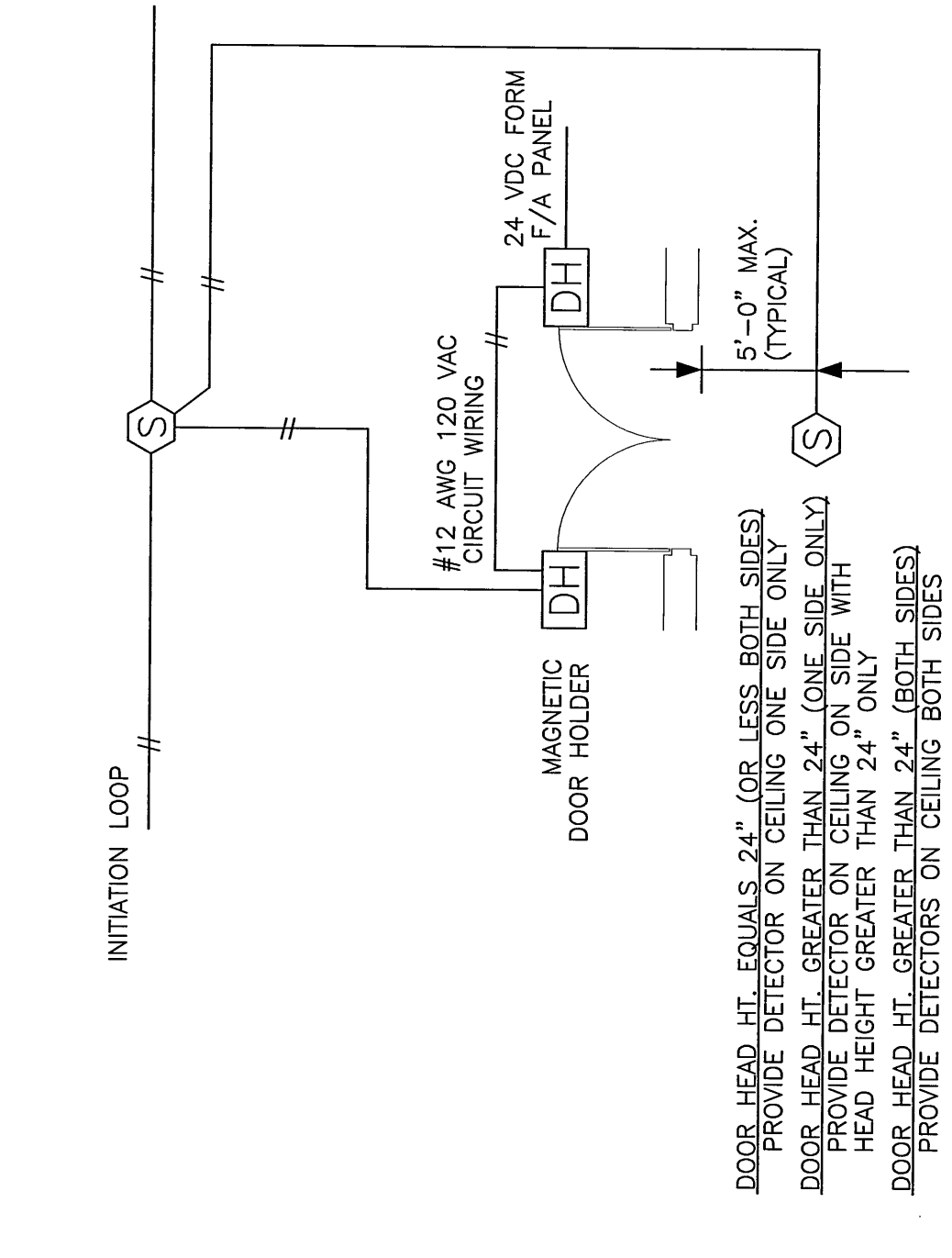


SECURITY_SYSTEM_WIRING_DIAGRAM
NOT TO SCALE

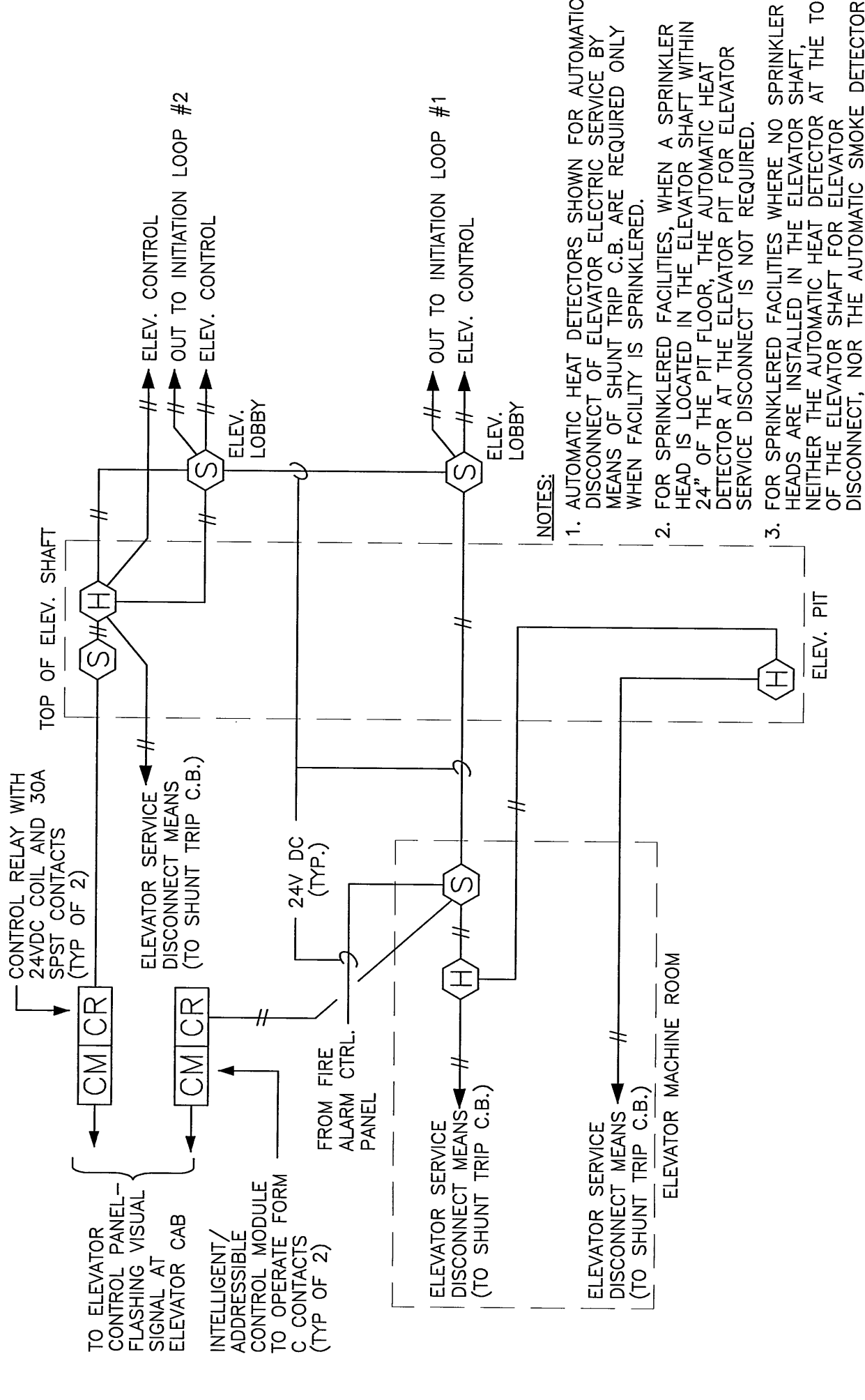
TYPICAL DOOR CONFIGURATION
101.2, 101.4, 102.1, 104.1, 104.2, 136.2, 156.1, 156.2, 177.2, 201.1, 324.2
(SEE DOOR NUMBERS)



HVAC_FIRE_ALARM_INTERFACE_WIRING_DIAGRAM
NOT TO SCALE

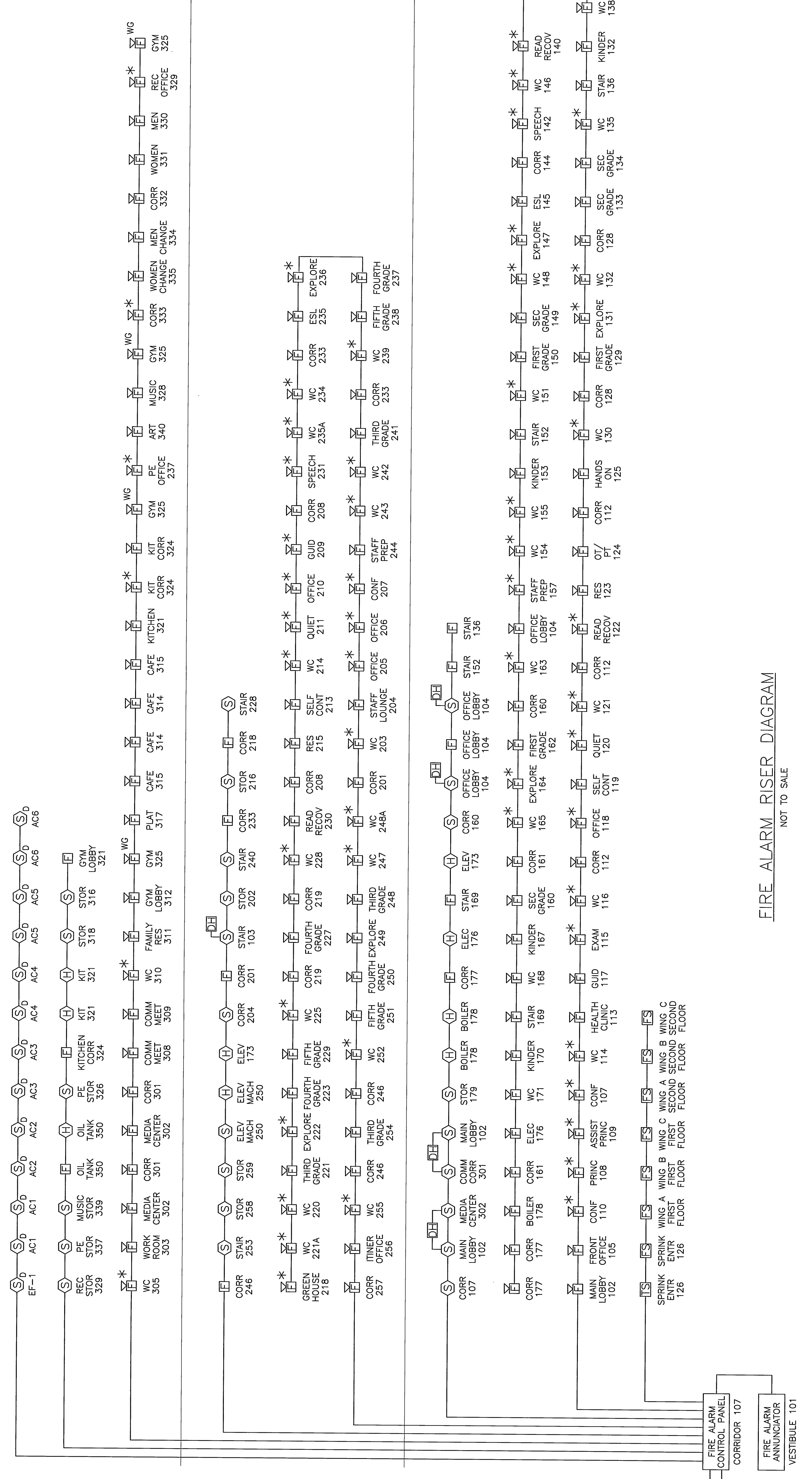


DOOR HOLDER_FIRE_ALARM_INTERFACE_WIRING_DIAGRAM
NOT TO SCALE



ELEVATOR_FIRE_ALARM_INTERFACE_WIRING_DIAGRAM
NOT TO SCALE

INSTALL DETECTORS AND WIRING IN CONFORMANCE WITH STATE ELEVATOR CODE



FIRE_ALARM_RISER_DIAGRAM
NOT TO SCALE

East End Elementary School
Portland Public Schools
Portland, Maine

Job No.: 039
Date: 08/20/2004
Scale: 1/8" = 1'-0"
Drawn by: JR
Checked by: JLB

Revisions:

Consultants:
Civil Engineer
Landscape Architect
Control Associates
Structural Engineer
Finkham & Greer
Mechanical Engineer
Bennett Engineering
Electrical Engineer
Barrett Design
Thermal Engineering
Fire Solutions

10 Durham Street
Portland, ME 04103
Phone: 603.761.2105
Fax: 603.761.2106
www.eastendps.com

E4.4