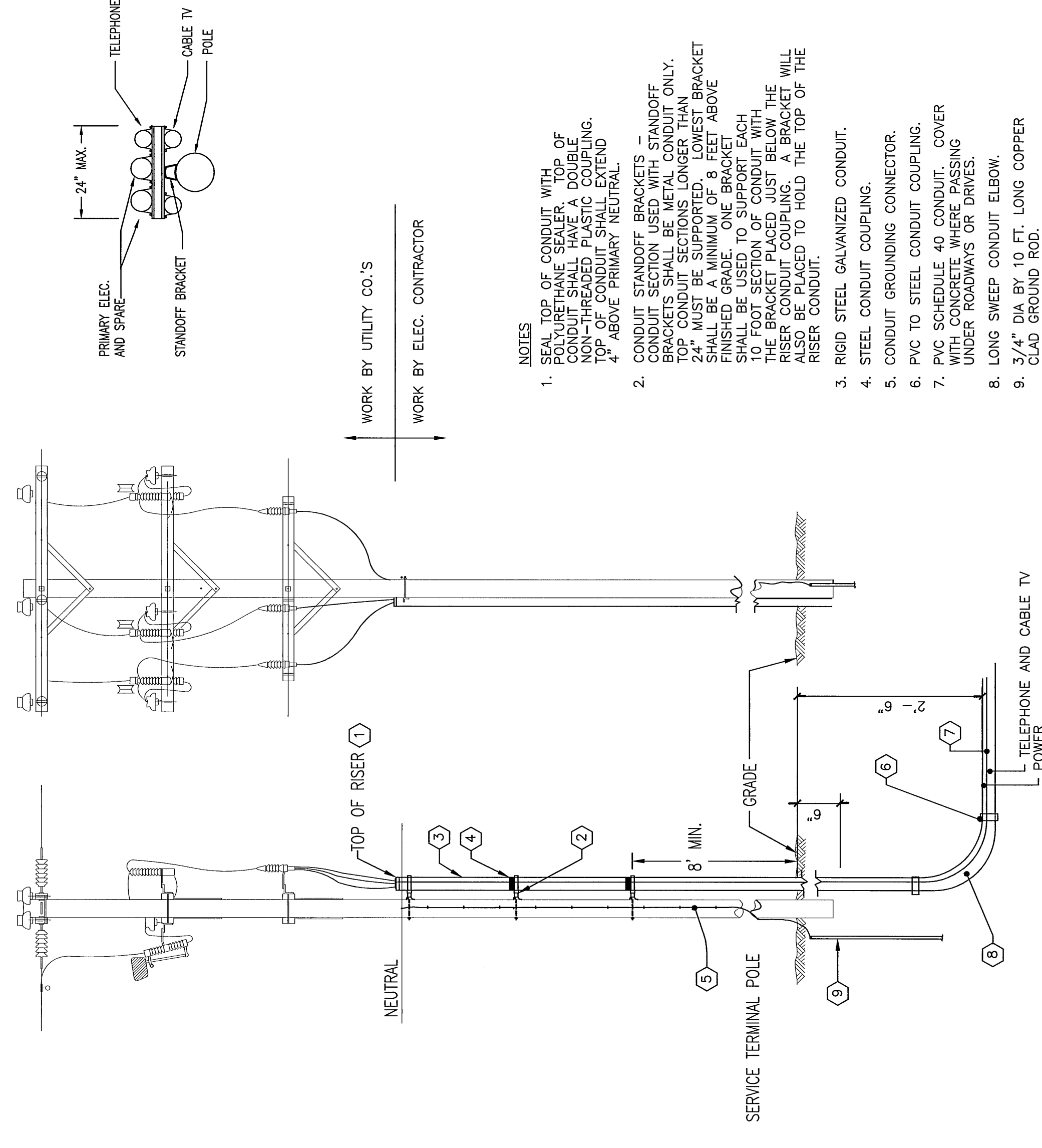
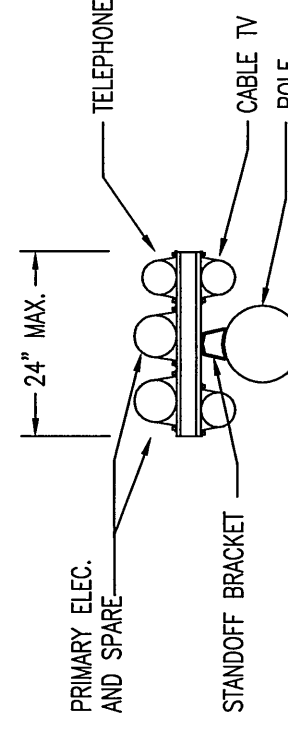


DUCT SECTIONS
NOT TO SCALE

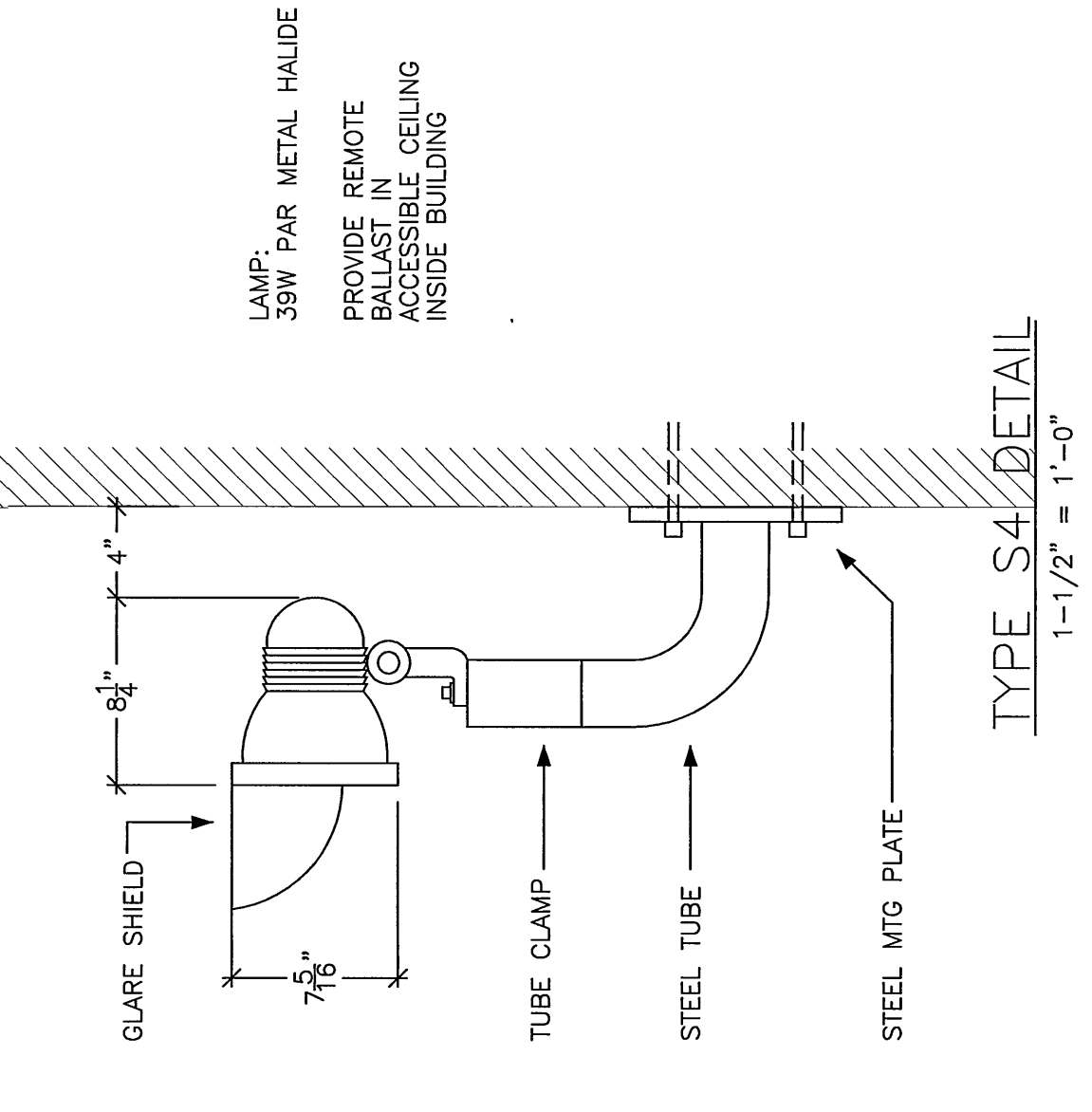


RISER POLE DETAIL
NOT TO SCALE

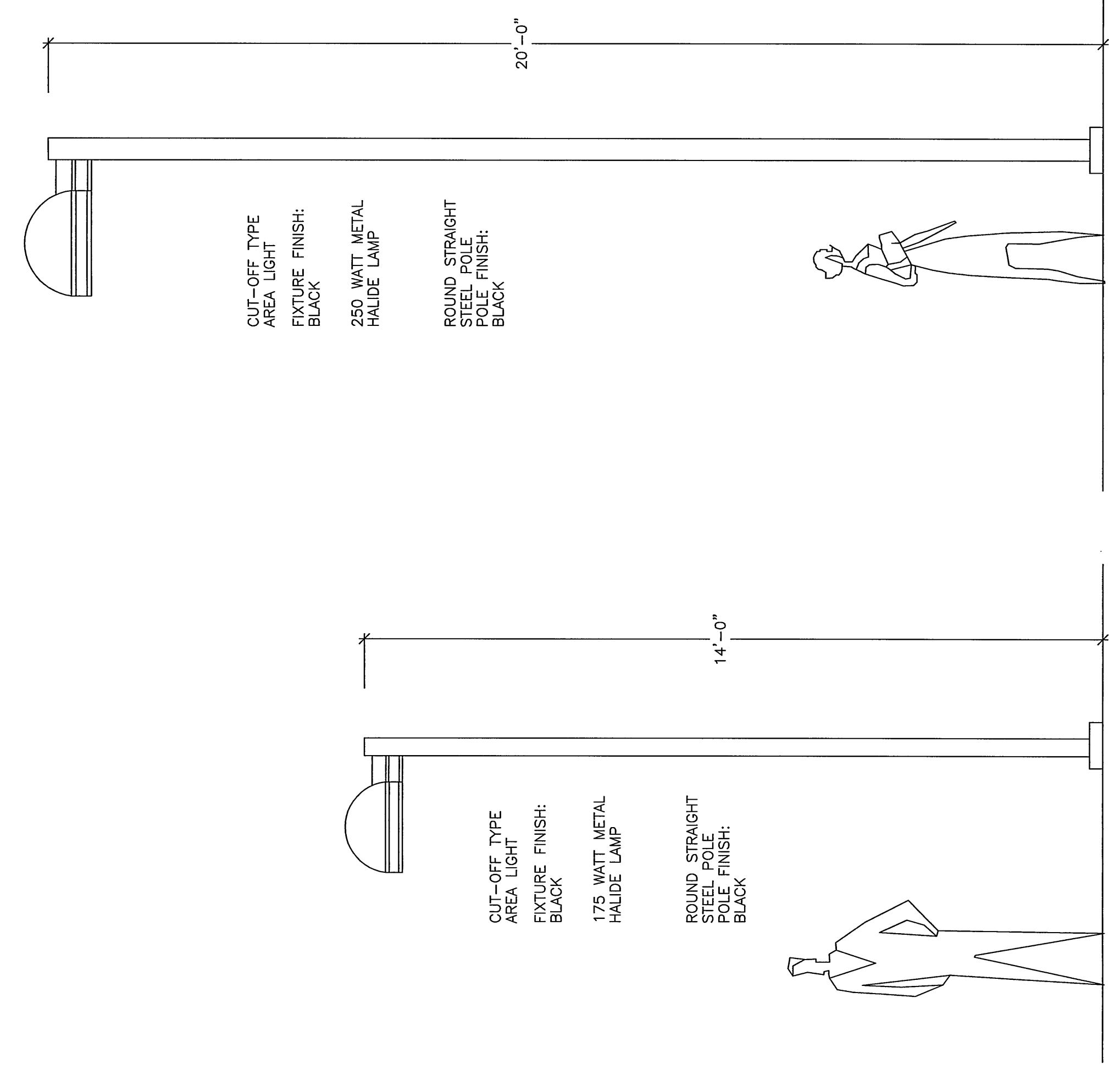


- NOTES**
1. TOP OF CONDUIT WITH POLYURETHANE SEALER, WITH 18\"/>
 2. CONDUIT STANDOFF BRACKETS SHALL BE METAL CONDUIT ONLY. BRACKETS SHALL BE SUPPORTED, LOWEST BRACKET 24\"/>
 3. RIGID STEEL GALVANIZED CONDUIT.
 4. STEEL CONDUIT COUPLING.
 5. CONDUIT GROUNDING CONNECTOR.
 6. PVC TO STEEL CONDUIT COUPLING.
 7. PVC SCHEDULE 40 CONDUIT COVER WITH CONCRETE WHERE PASSING UNDER ROADWAYS OR DRIVES.
 8. LONG SWEEP CONDUIT ELBOW.
 9. 3/4\"/>

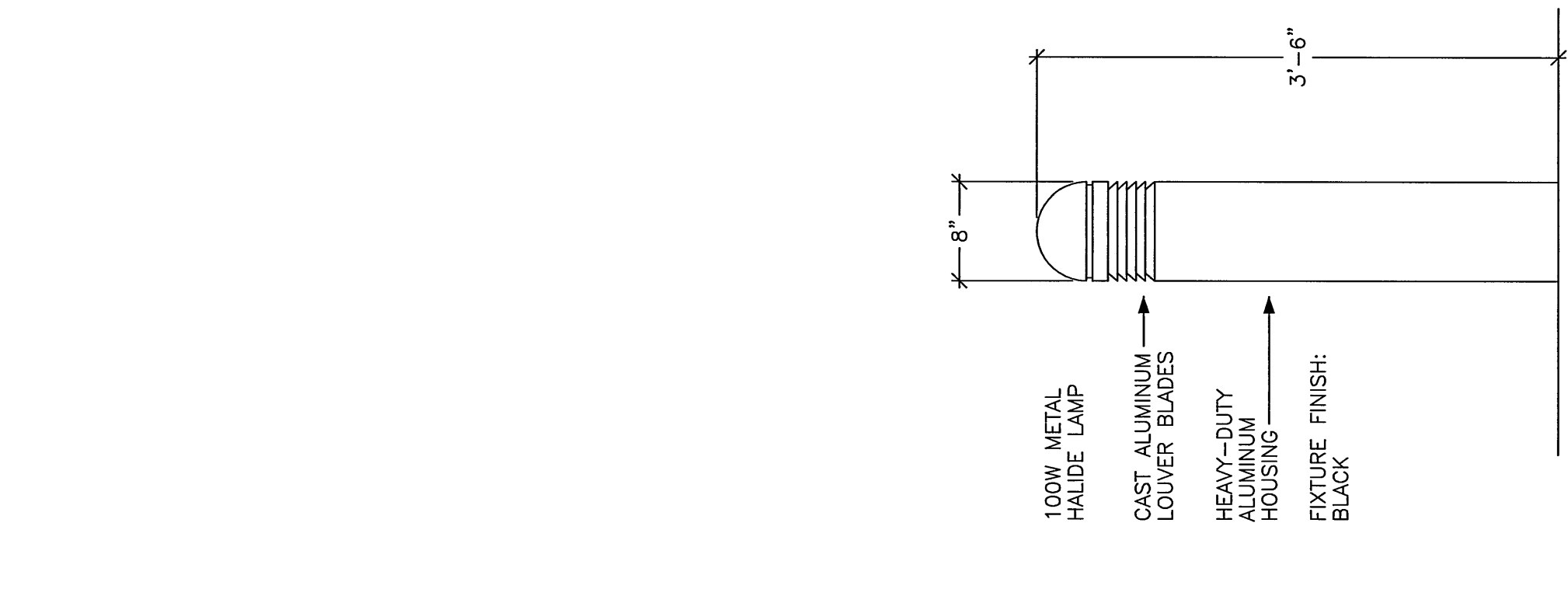
WORK BY UTILITY CO.'S
WORK BY ELEC. CONTRACTOR



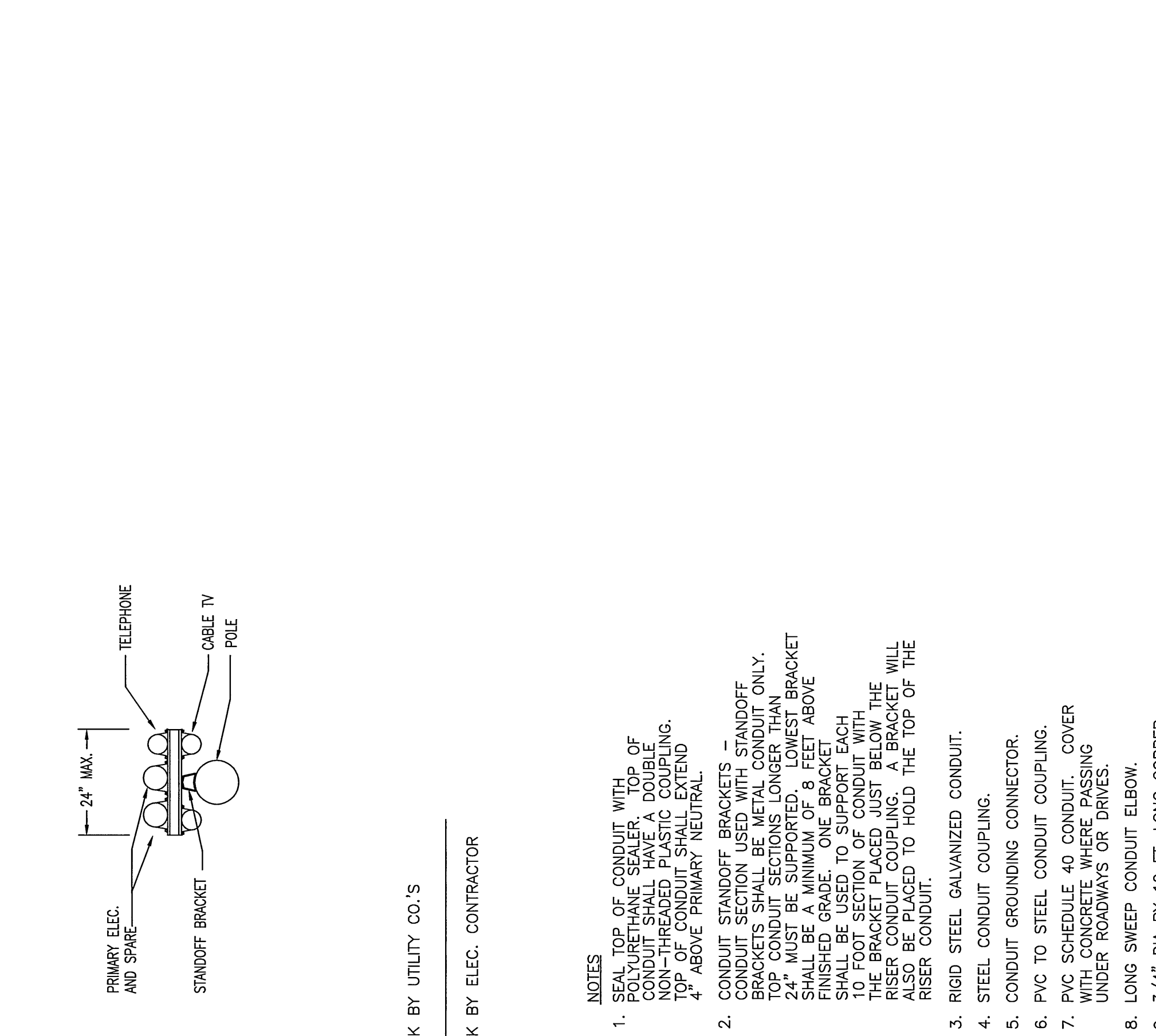
TYPE S4 DETAIL
1-1/2" = 1'-0"



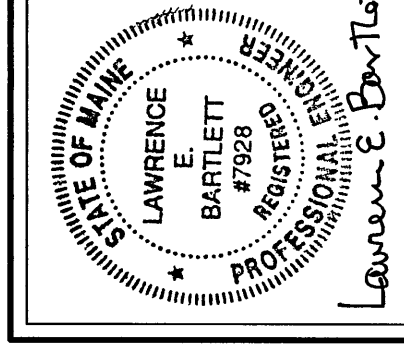
TYPE S5 LIGHTING POLE DETAIL
NOT TO SCALE



TYPE S8 BOLLARD LIGHT DETAIL
1" = 1'-0"



TYPE S5A LIGHTING POLE DETAIL
NOT TO SCALE



DELUCA-HOFFMAN ASSOCIATES
Landscape Architect
Carol Associates
Structural Engineer
Pritham & Greer
Mechanical Engineer
Bennett Engineering
Electrical Engineer
Benfield Design
Architectural
TJM Consulting
Civil Engineer
Fore Solutions

East End Elementary School
Portland Public Schools
Portland, Maine

Job No. 0308
Date: June 23, 2014
Scale: As Noted
Drawn by: Jc
Checked by: Jc
Drawing Title: **Site Plan Details**

E1.2

10 Duane Street
Portland, ME 04103
Tel: 207.781.1111
Fax: 207.781.7108
www.deluca-hoffman.com