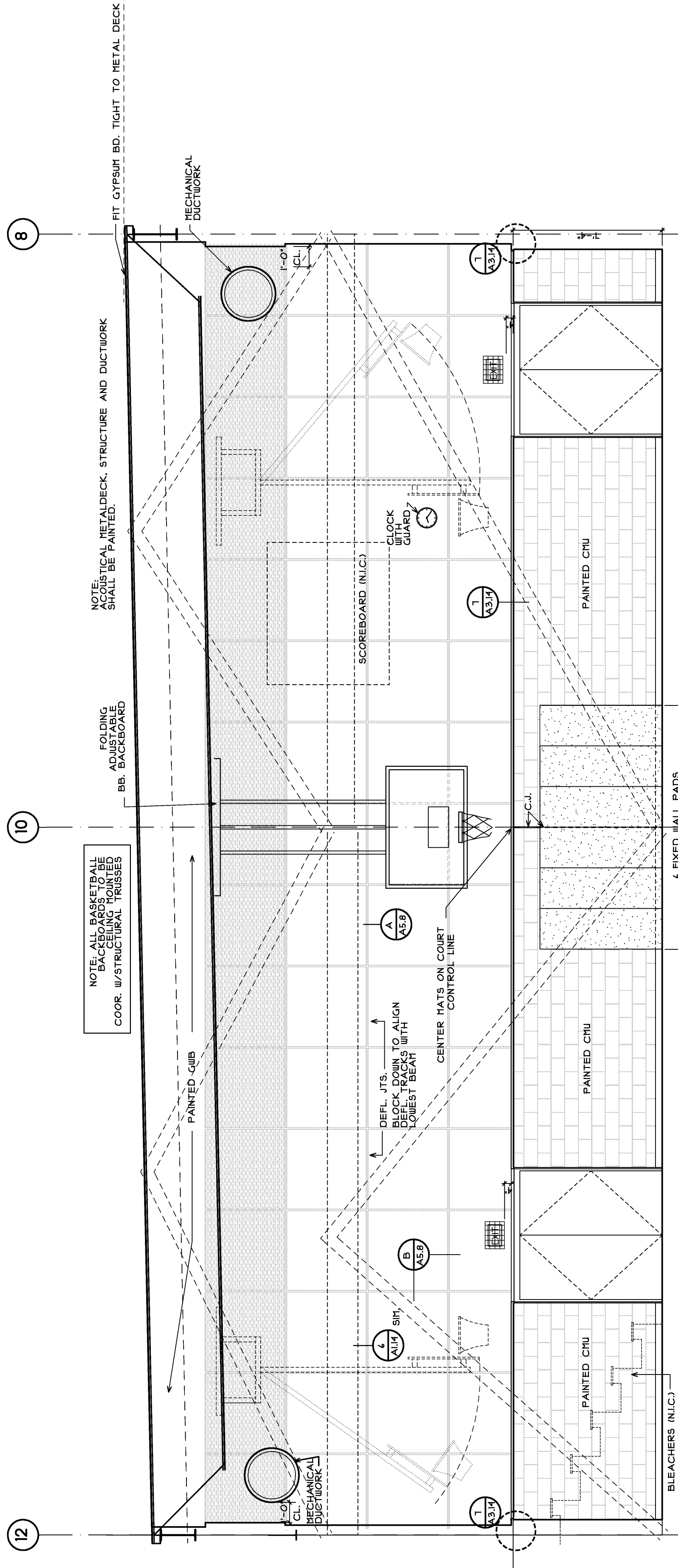
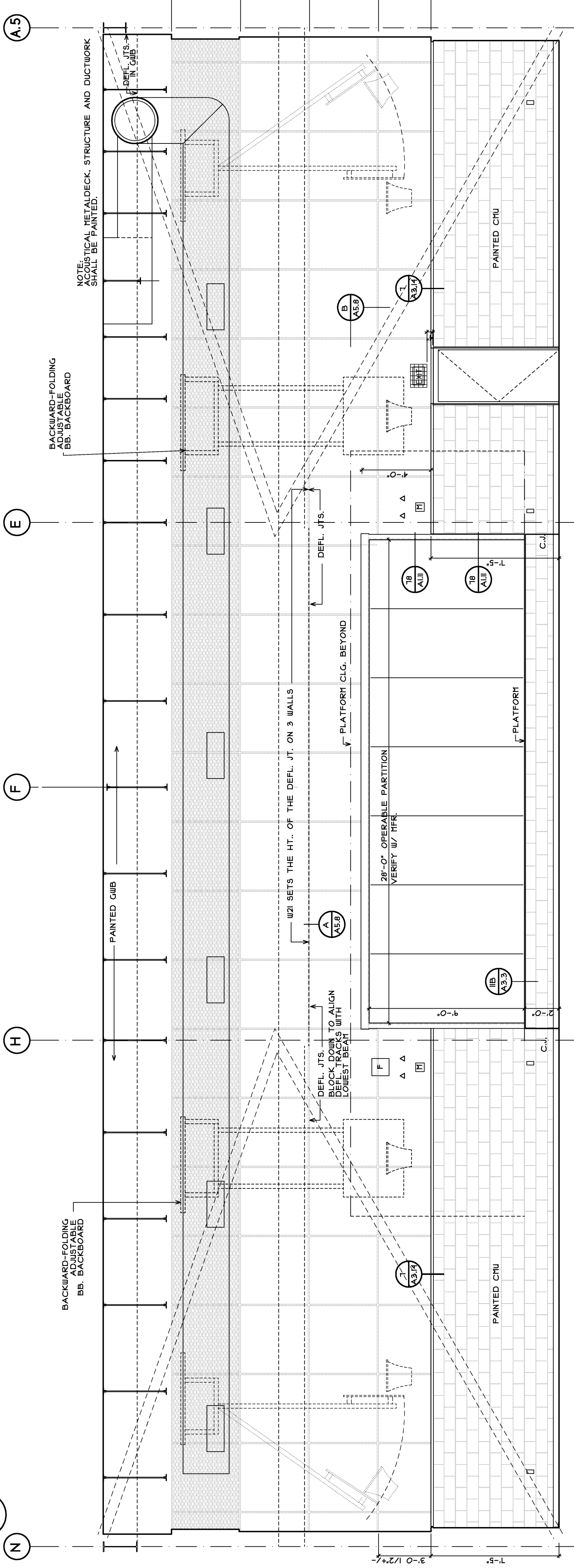


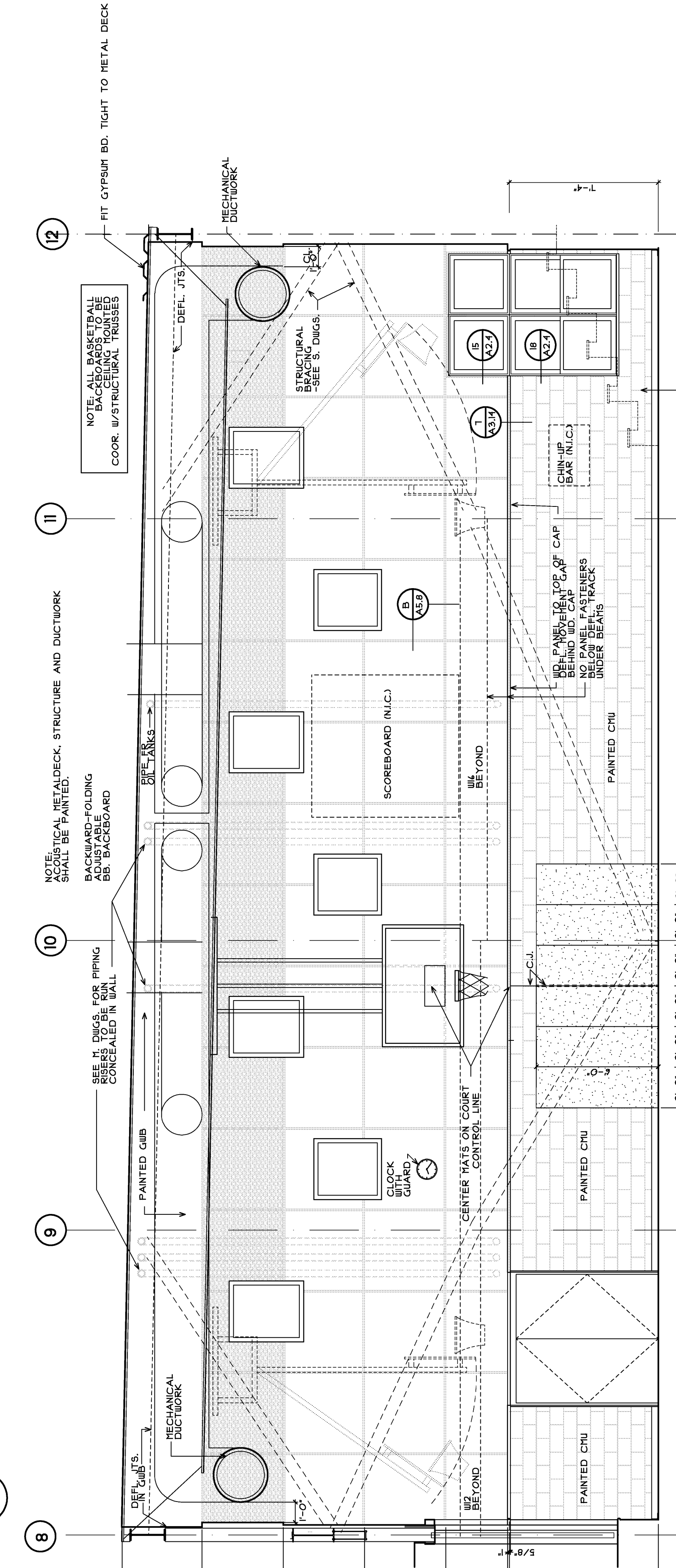
1 GYMNASIUM 325
SCALE: 1/4" = 1'-0"



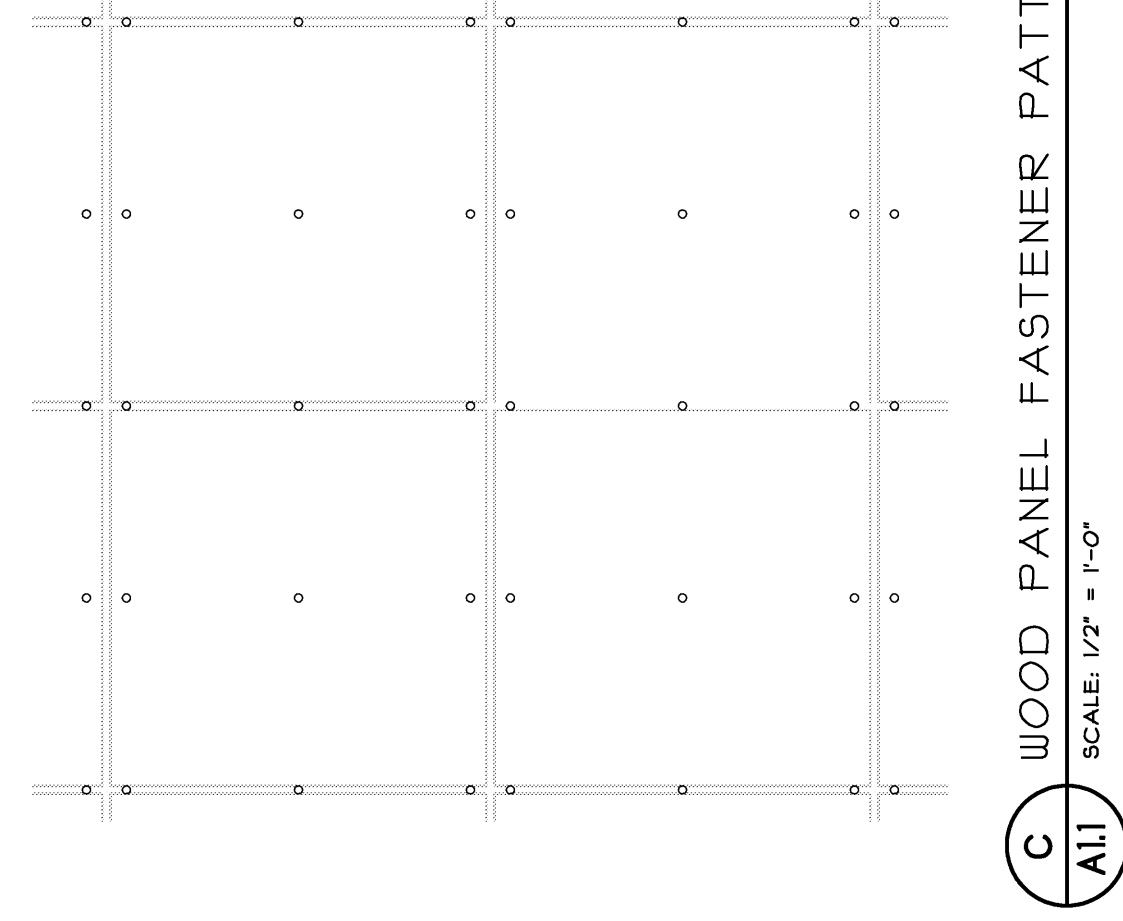
2 GYMNASIUM 325
SCALE: 1/4" = 1'-0"



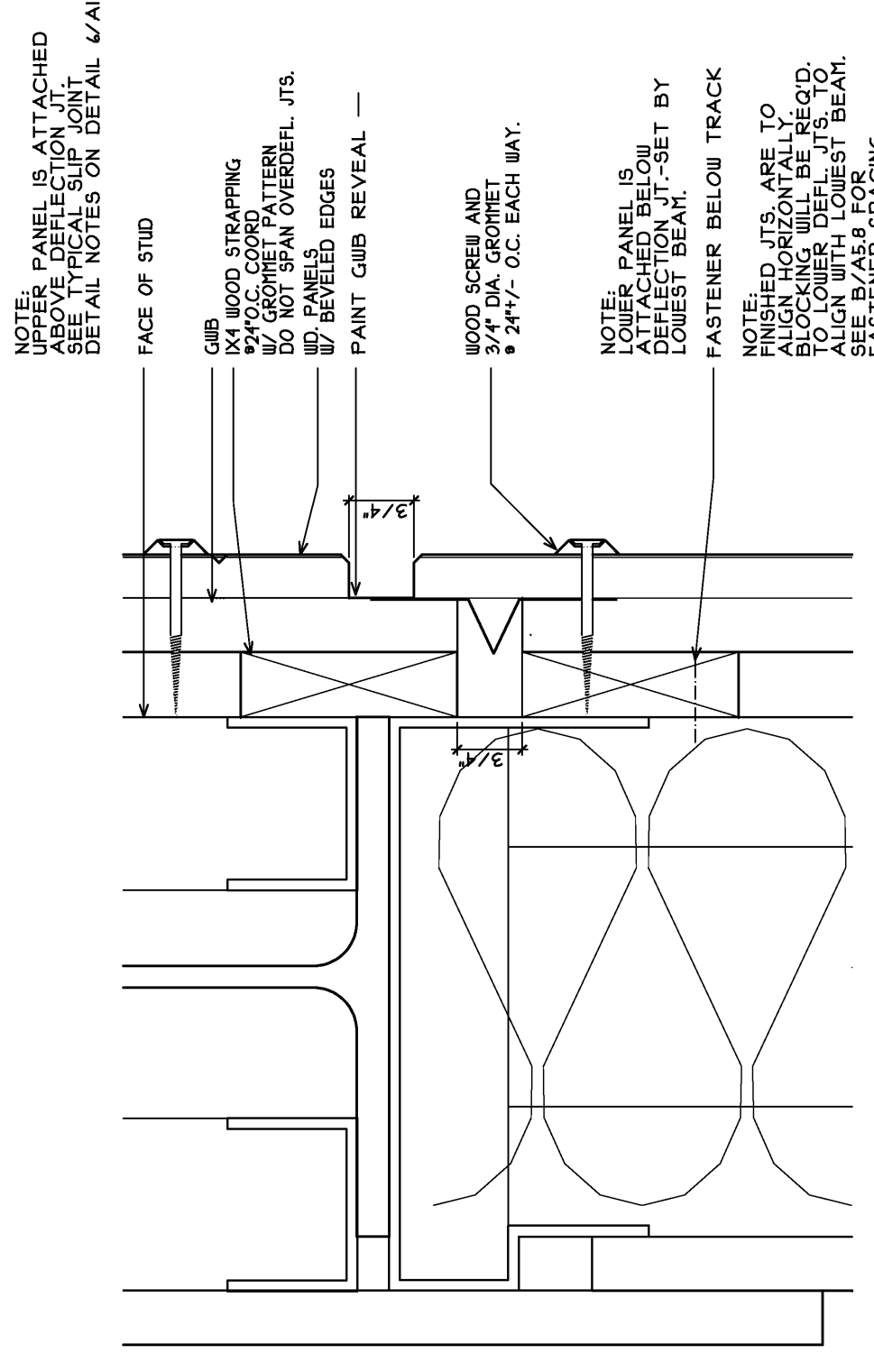
3 GYMNASIUM 325
SCALE: 1/4" = 1'-0"



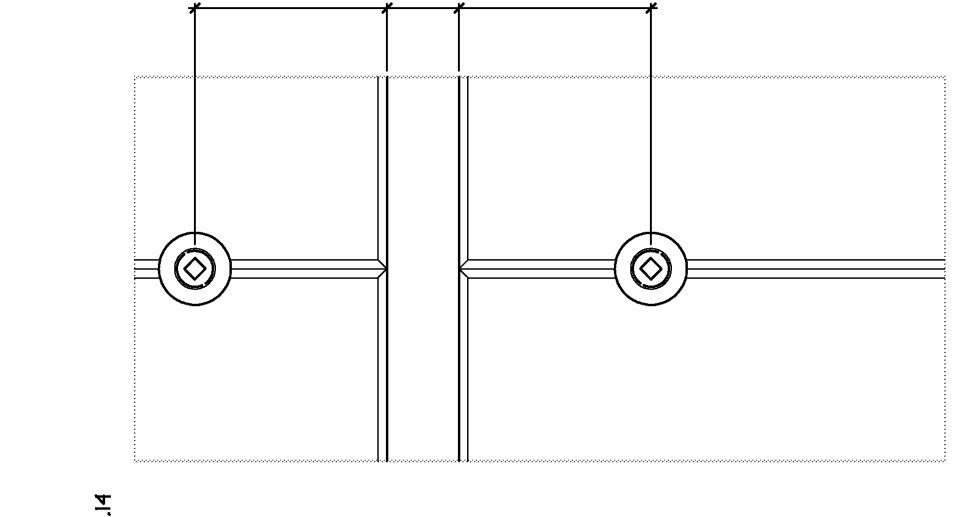
4 GYMNASIUM 325
SCALE: 1/4" = 1'-0"



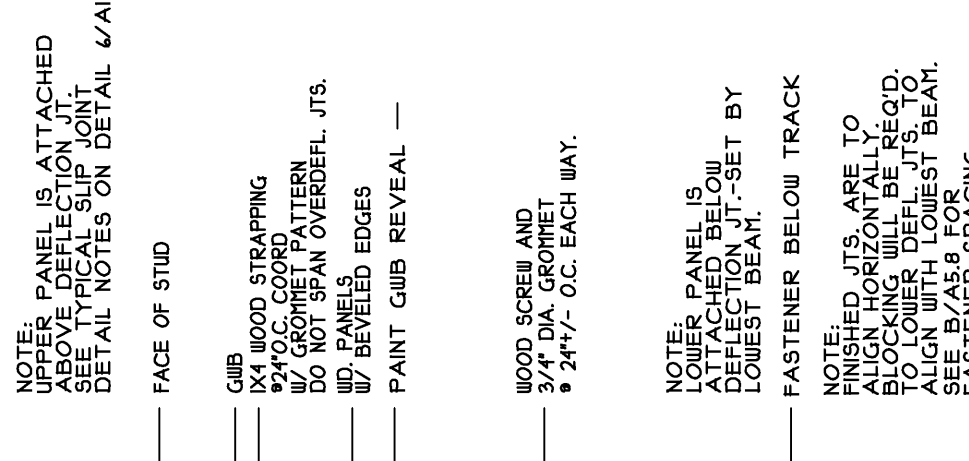
C WOOD PANEL FASTENER PATTERN
SCALE: 1/2" = 1'-0"



A GYM PANEL SECTION AT DEF. JT.
SCALE: 1/2" = 1'-0"



B DEF. JT. ELEVATION
SCALE: 1/2" = 1'-0"



	East End Elementary School Portland Public Schools Portland, Maine	Job No: 0309 Date: 05.15.2004 Scale: 1/4" = 1'-0" Drawn by: JH Checked by: JH Drawing Title: Interior Elevations Gymnasium	A5.8
	Deluca Hoffman Associates Interior Architects Carroll Associates Phibian & Crier Phibian & Crier Bennett Engineering Escobar Engineer Bertrand Design Rosen Design TJM Consulting CRE CONSULTANT PDR SOLUTIONS		10 Dunbar Street Portland, ME 04103 Phone: 761.9911 Fax: 761.9911 207.761.9911 207.761.2305 Email: info@delucahoffman.com