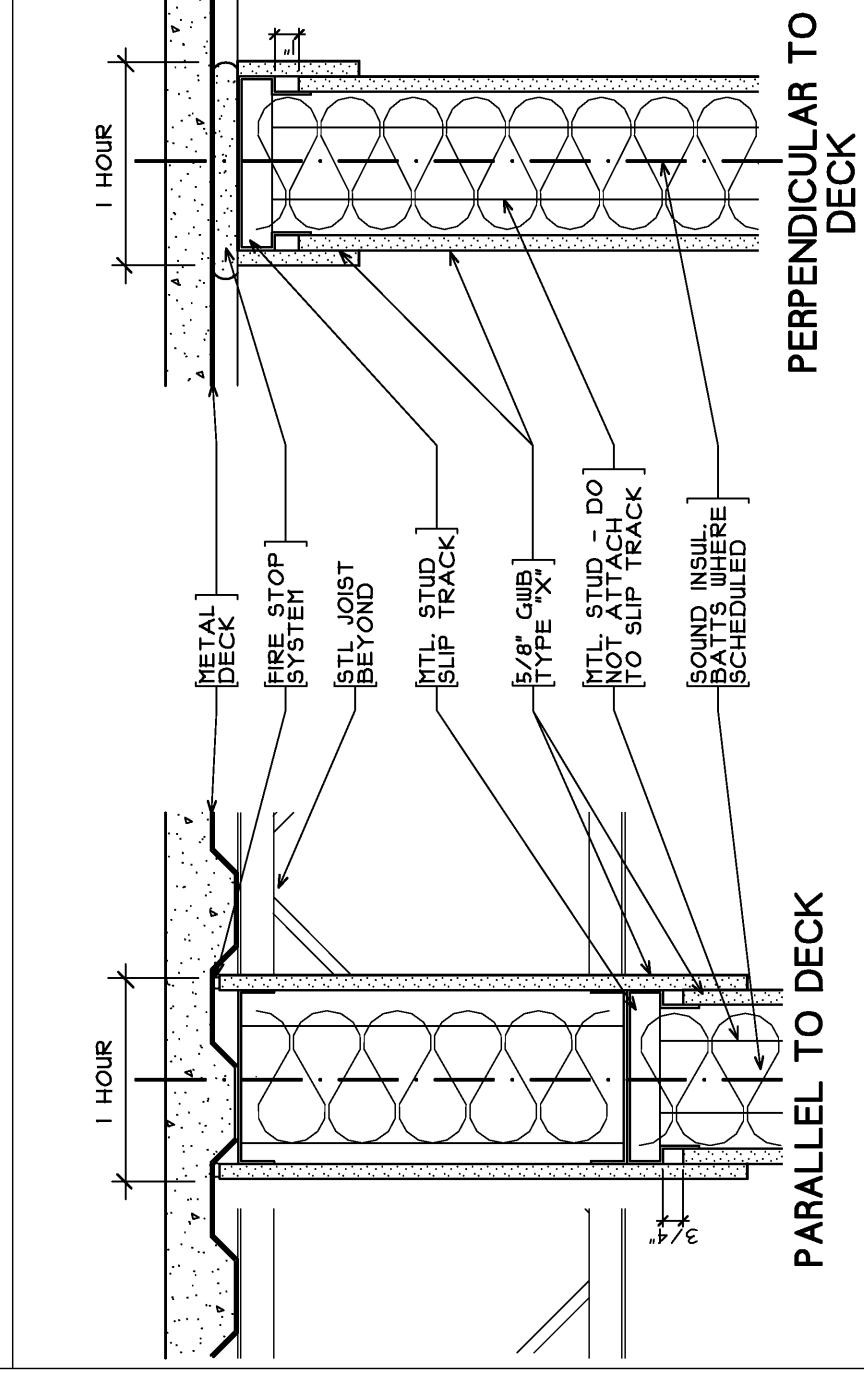
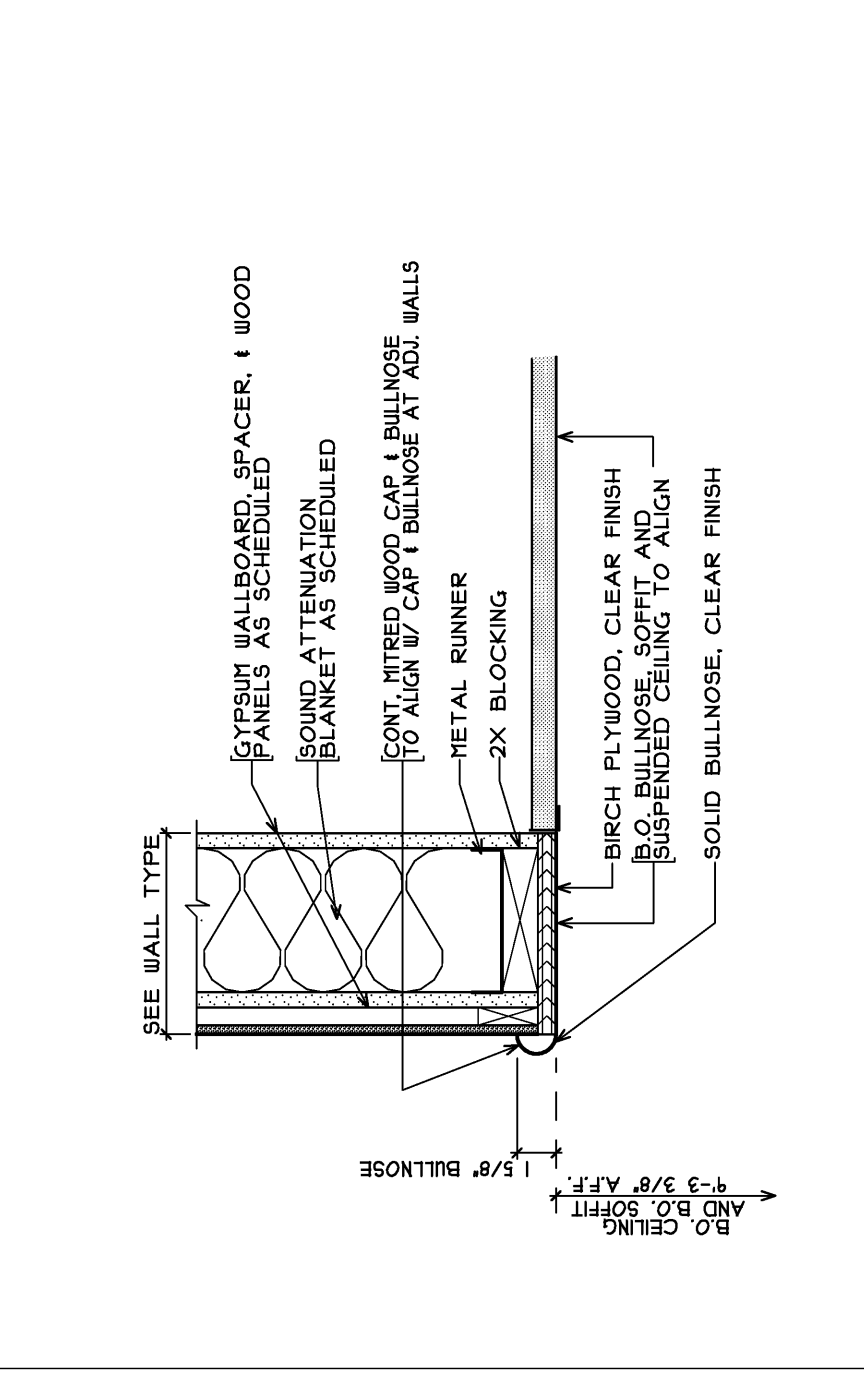


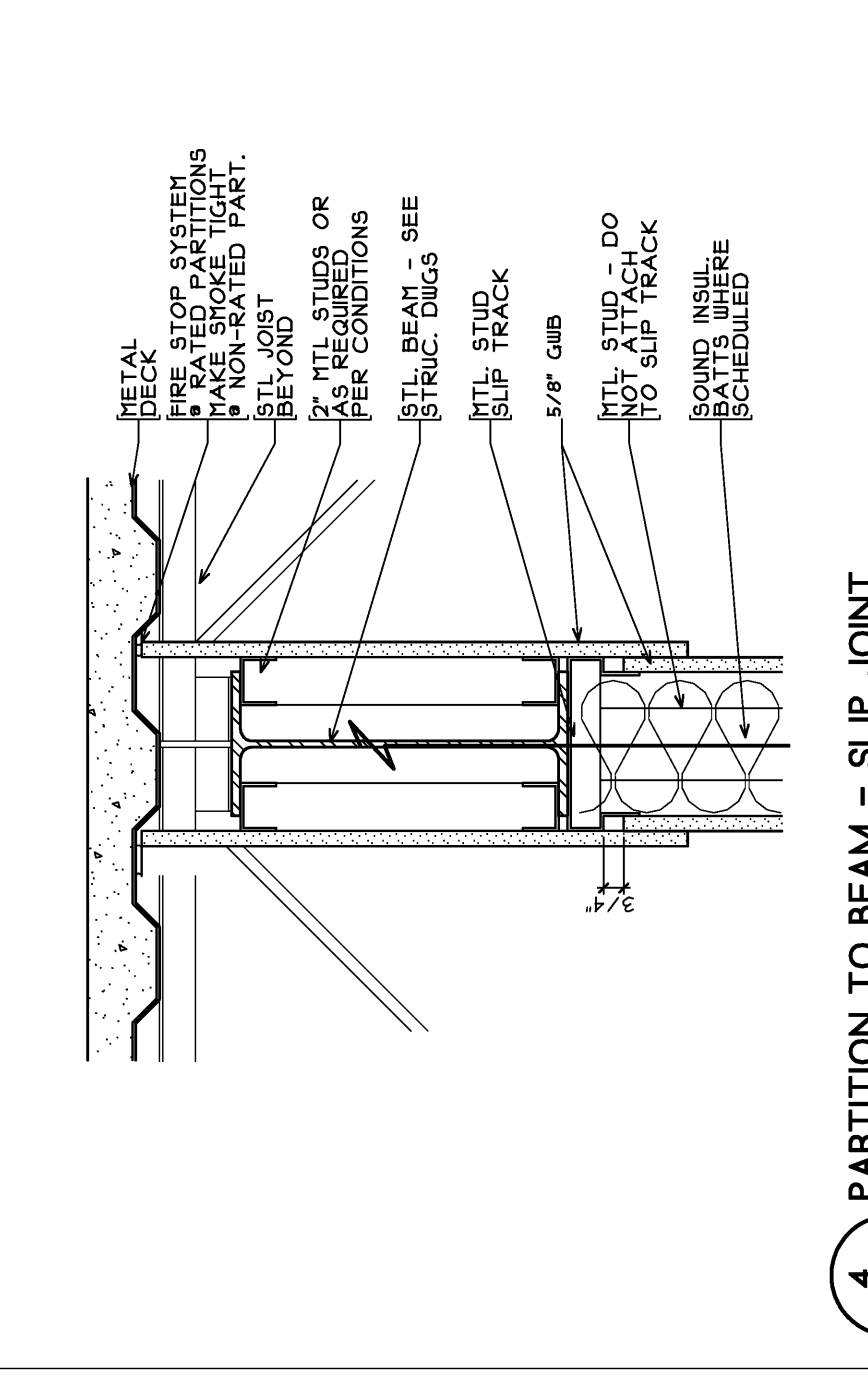
1 PARTITION TO MTL DECK - SLIP JOINT - TYPICAL
A31/ SCALE: 1/2" = 1'-0"



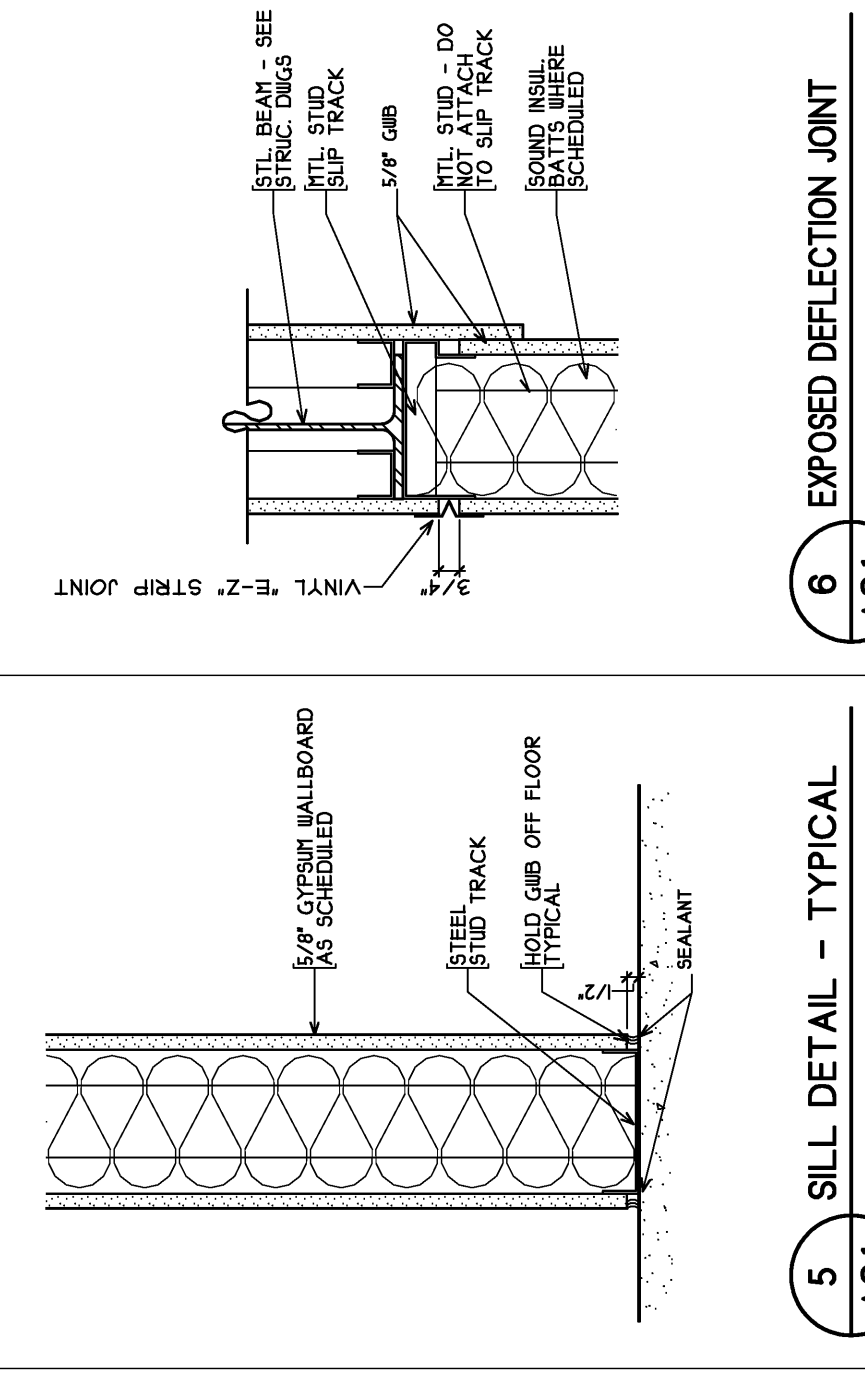
2 PARTITION TO MTL DECK - SLIP JOINT - 1 HOUR
A31/ SCALE: 1/2" = 1'-0"



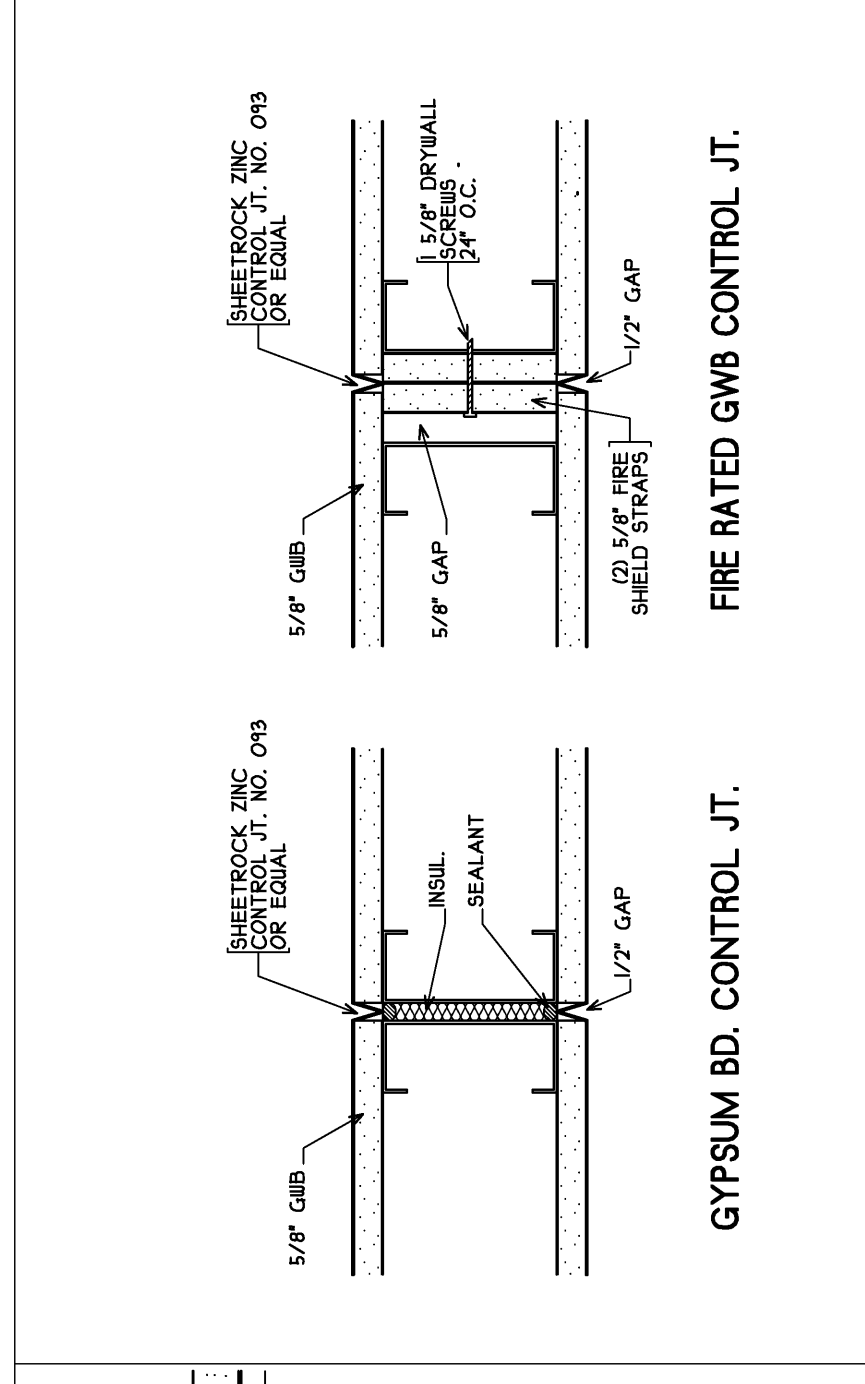
3 SOFFIT DETAIL @ LOBBY
A37/ SCALE: 1/2" = 1'-0"



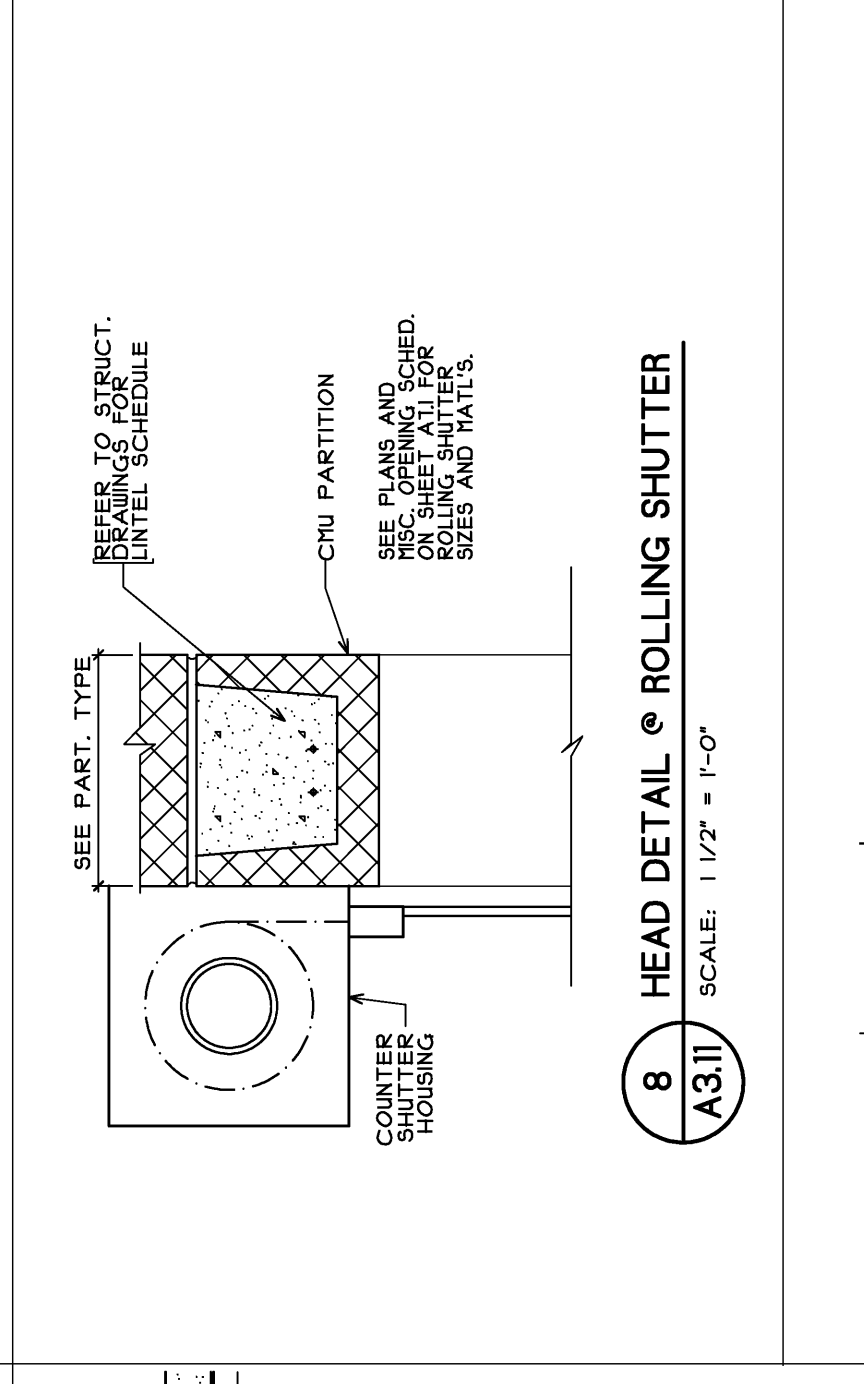
4 PARTITION TO BEAM - SLIP JOINT
A31/ SCALE: 1/2" = 1'-0"



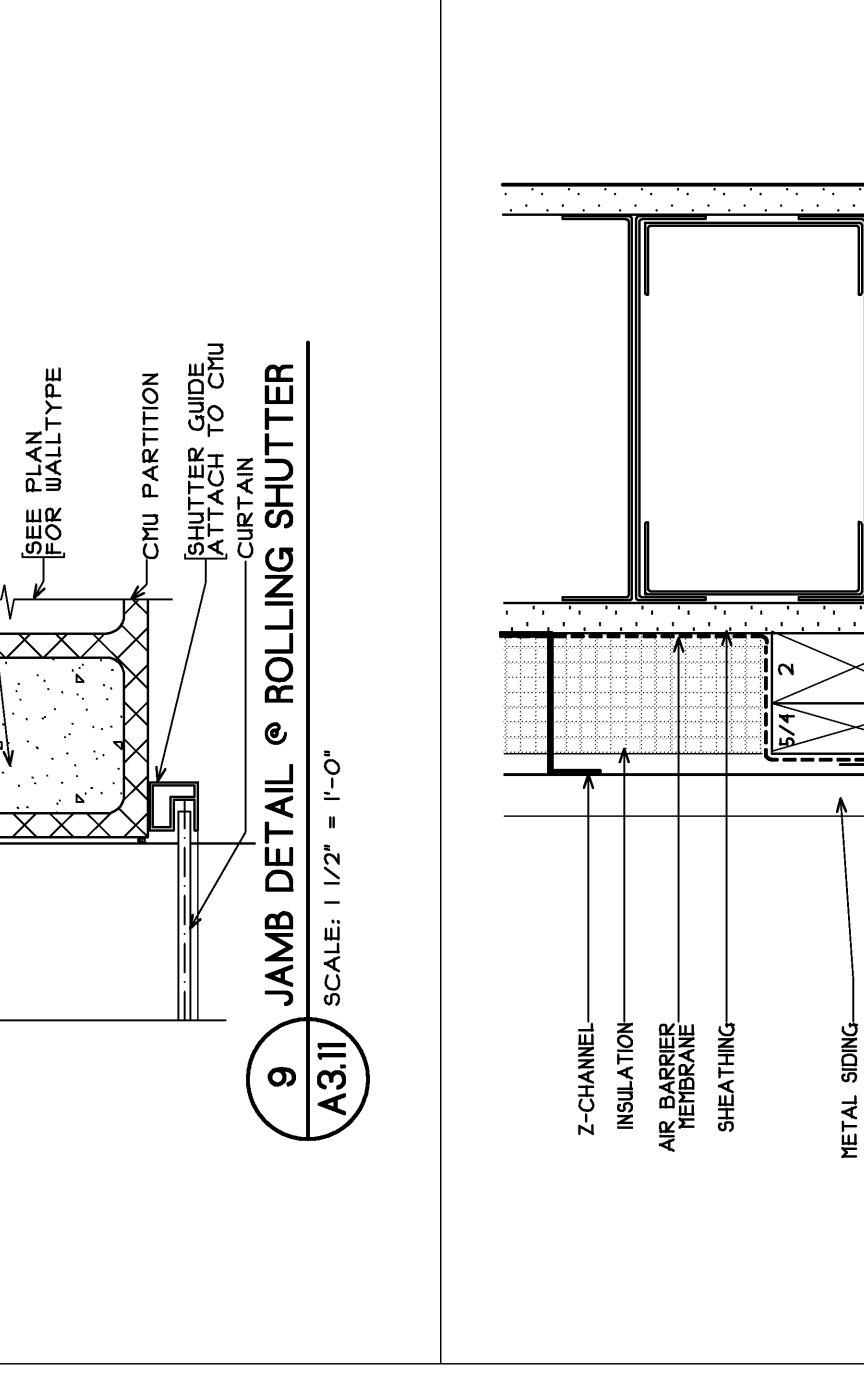
5 SILL DETAIL - TYPICAL
A31/ SCALE: 1/2" = 1'-0"



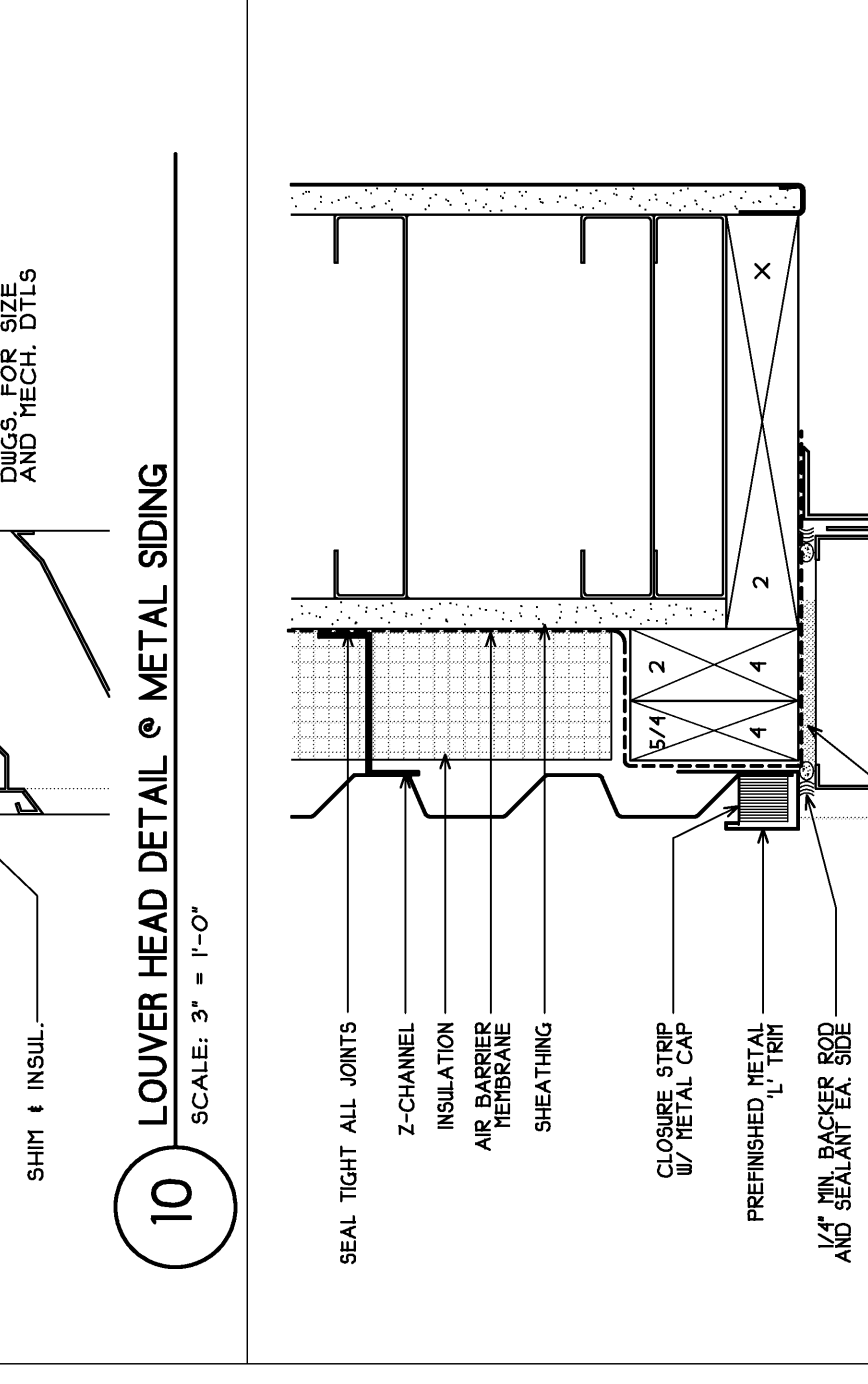
7 GYPSUM BD. CONTROL JT.
A1/ SCALE: 3\"/>



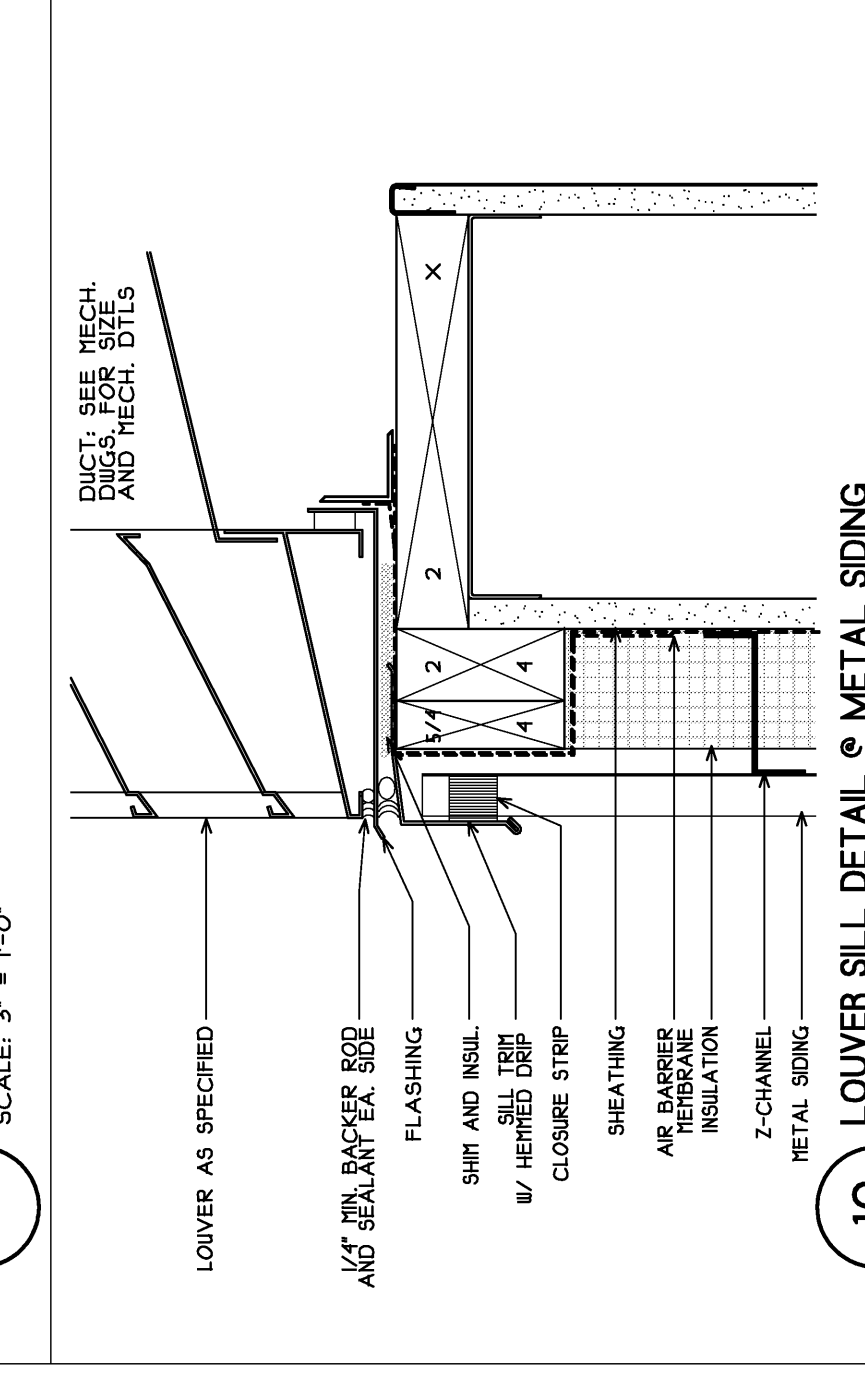
8 HEAD DETAIL @ ROLLING SHUTTER
A31/ SCALE: 1/2" = 1'-0"



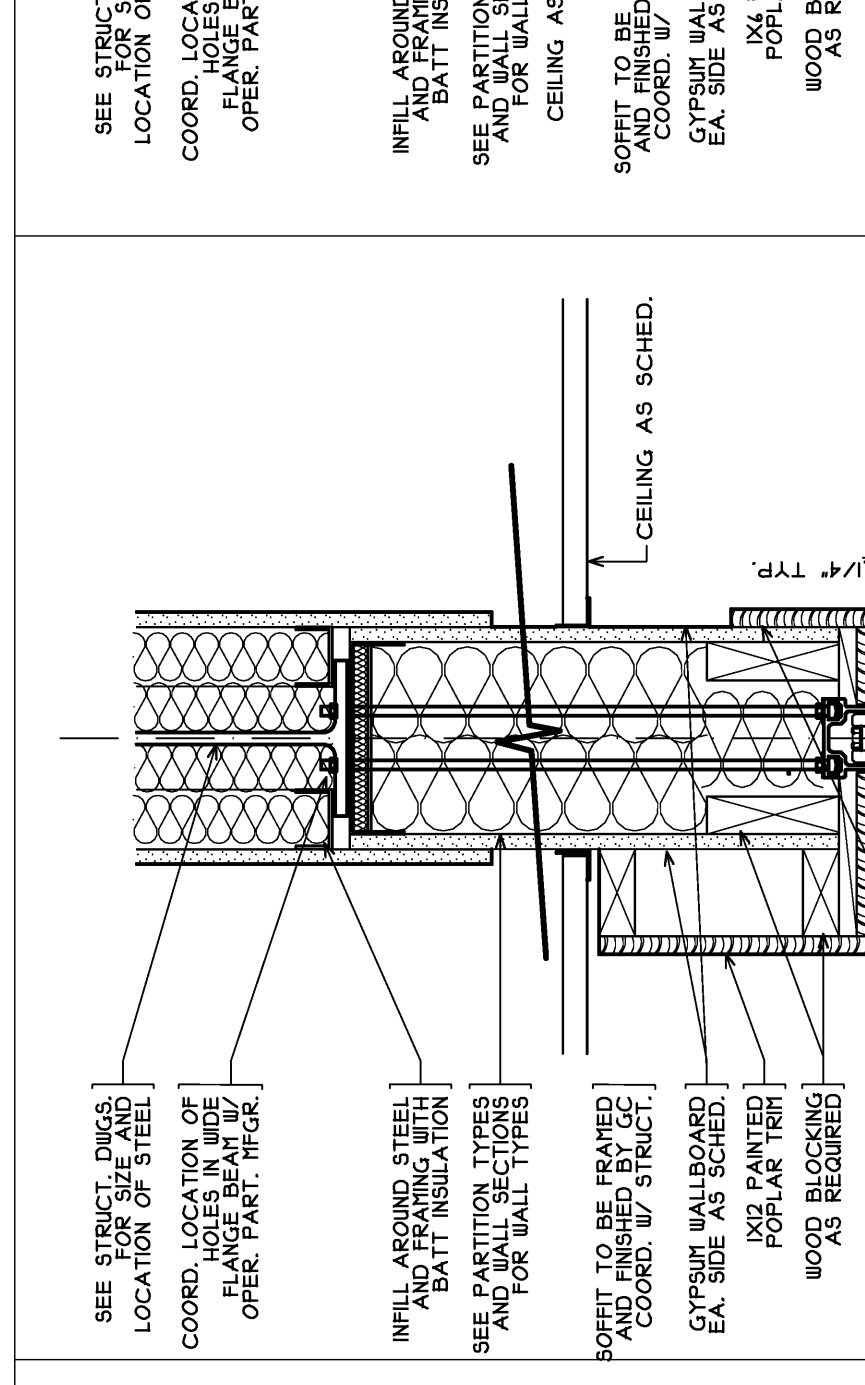
9 JAMB DETAIL @ ROLLING SHUTTER
A31/ SCALE: 1/2" = 1'-0"



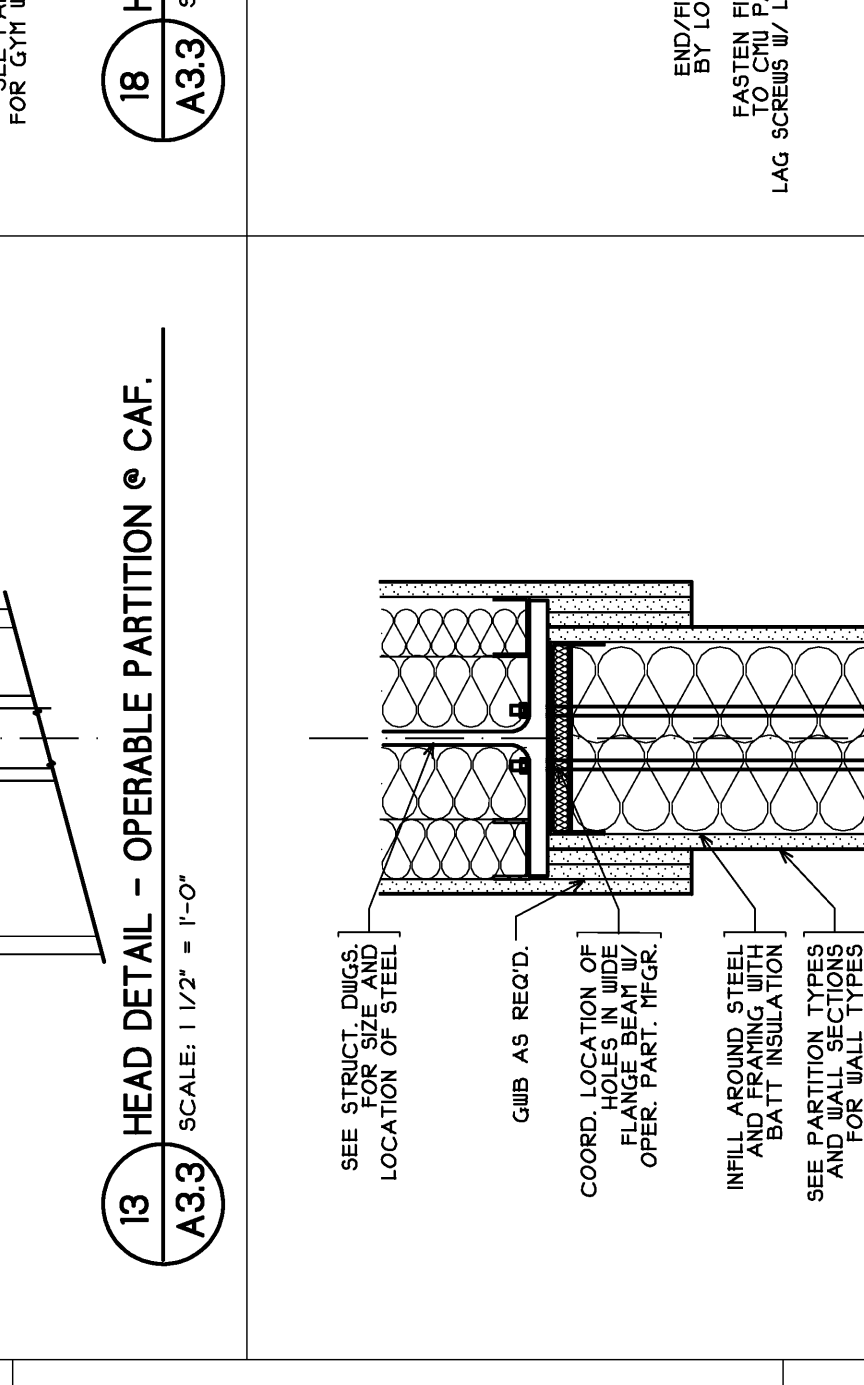
10 LOUVER HEAD DETAIL @ METAL SIDING
SCALE: 3\"/>



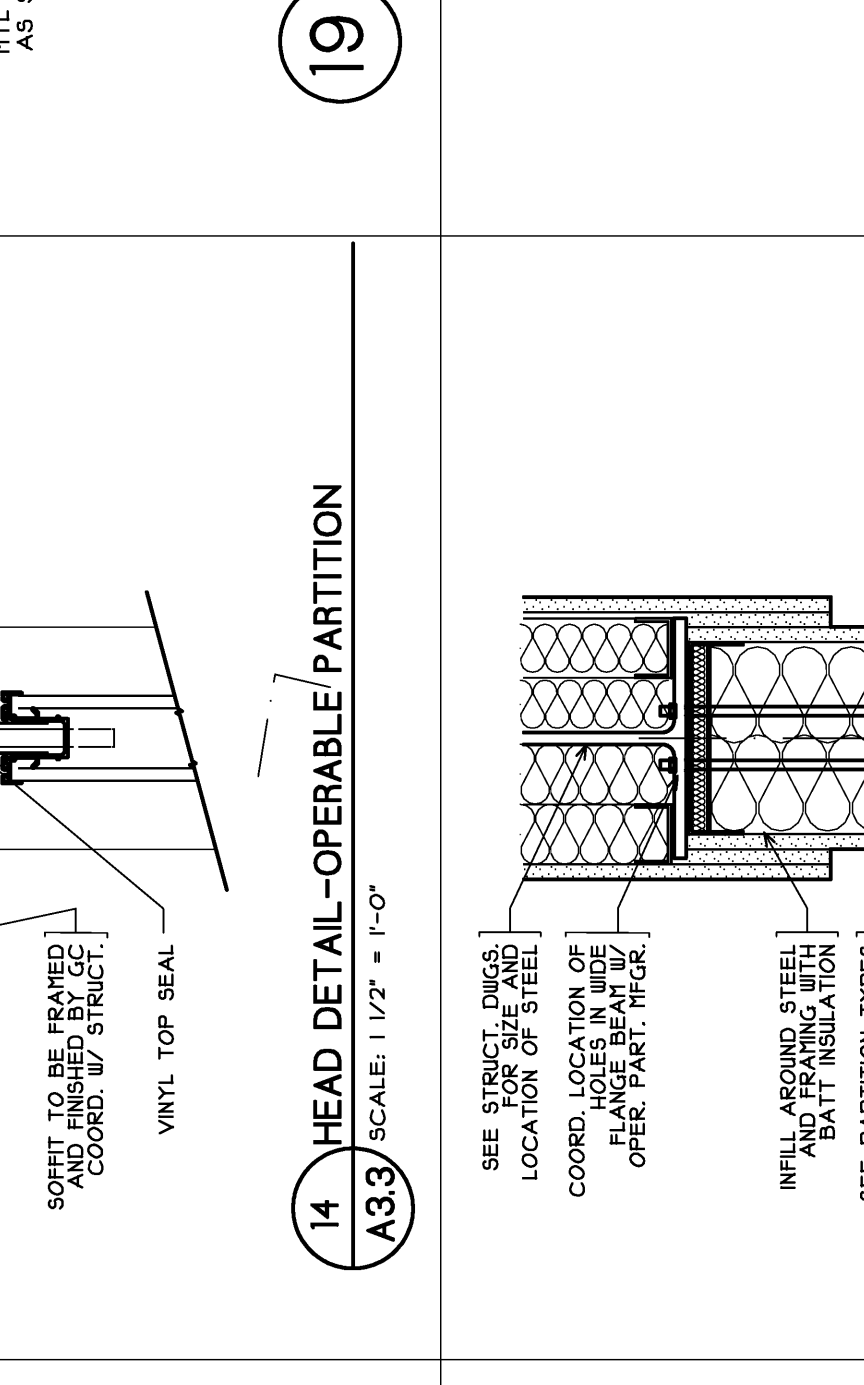
11 LOUVER JAMB DETAIL @ METAL SIDING
SCALE: 3\"/>



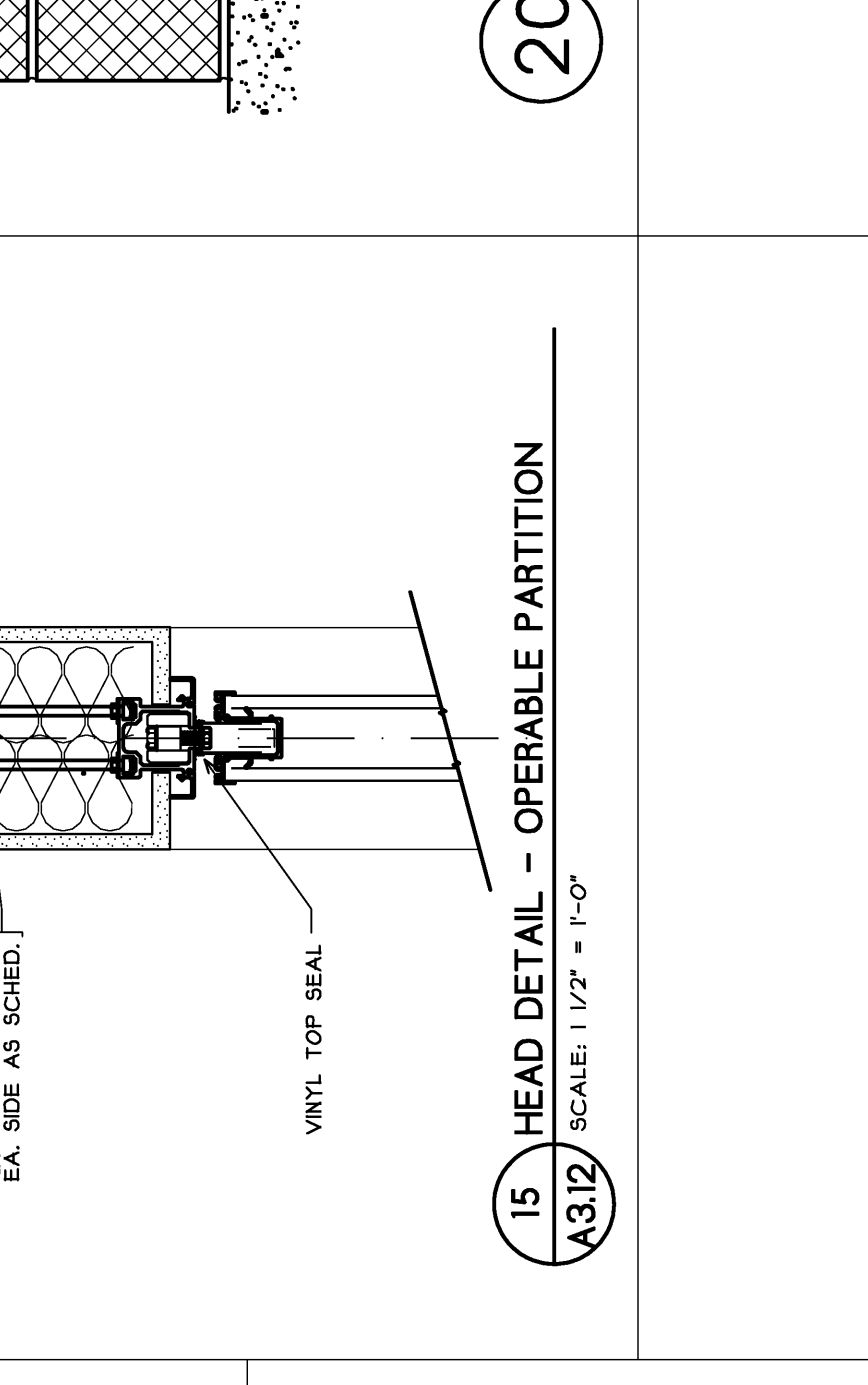
13 HEAD DETAIL - OPERABLE PARTITION @ CAF.
A33/ SCALE: 1/2" = 1'-0"



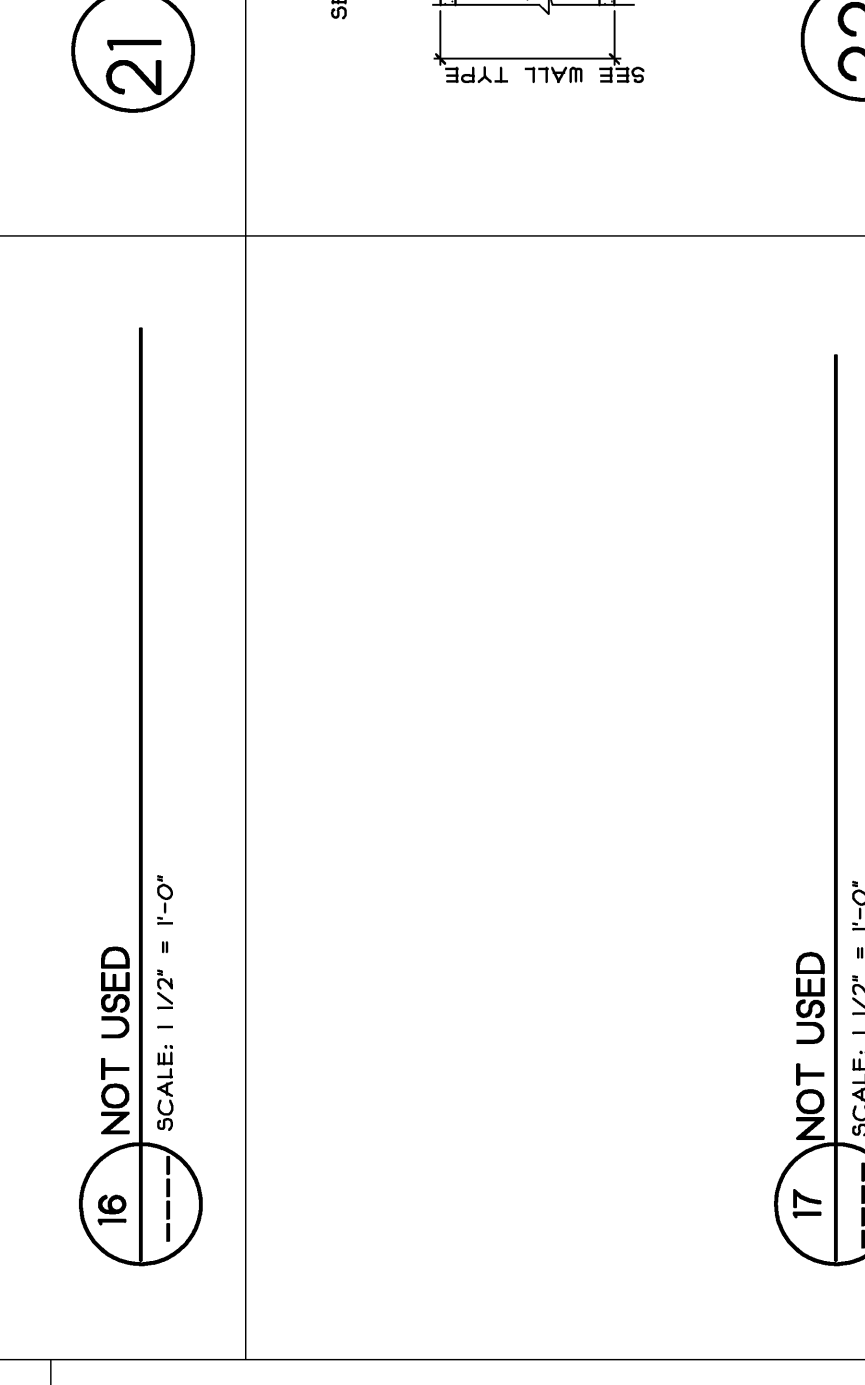
14 HEAD DETAIL - OPERABLE PARTITION
A33/ SCALE: 1/2" = 1'-0"



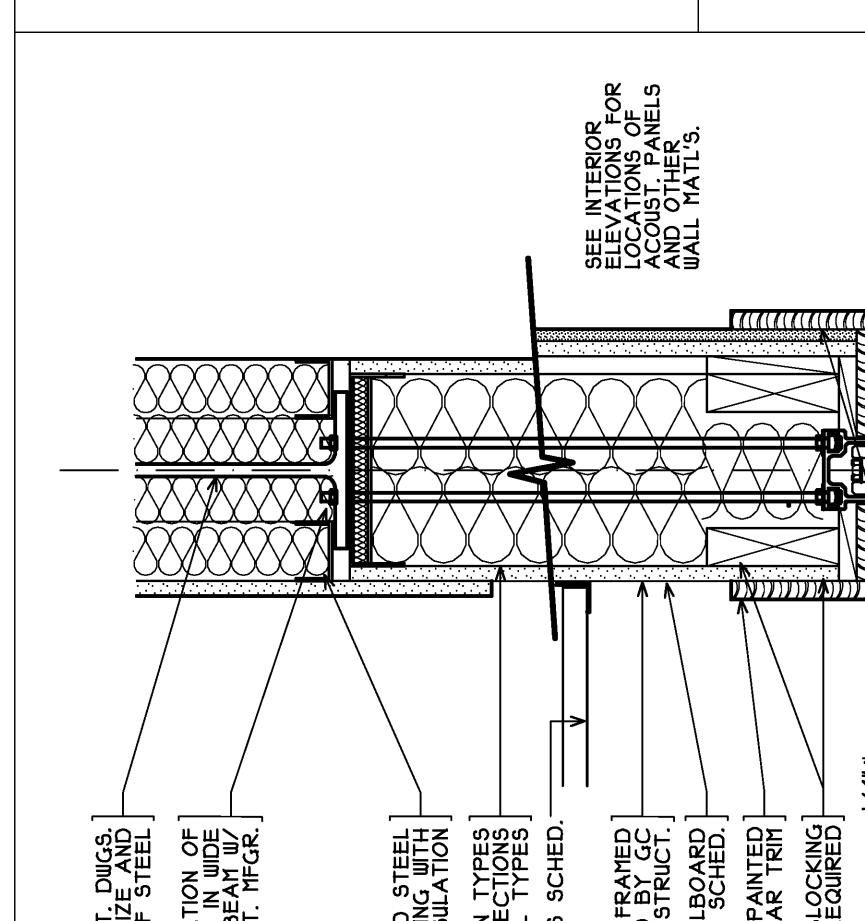
15 HEAD DETAIL - OPERABLE PARTITION
A312/ SCALE: 1/2" = 1'-0"



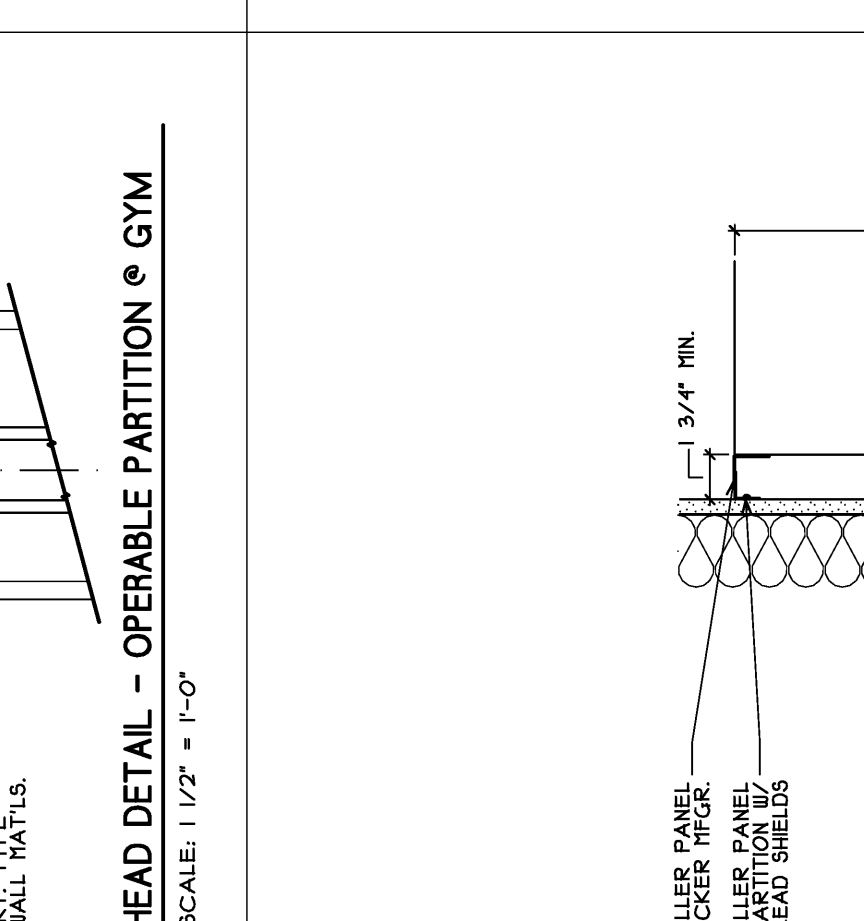
16 NOT USED
SCALE: 1/2" = 1'-0"



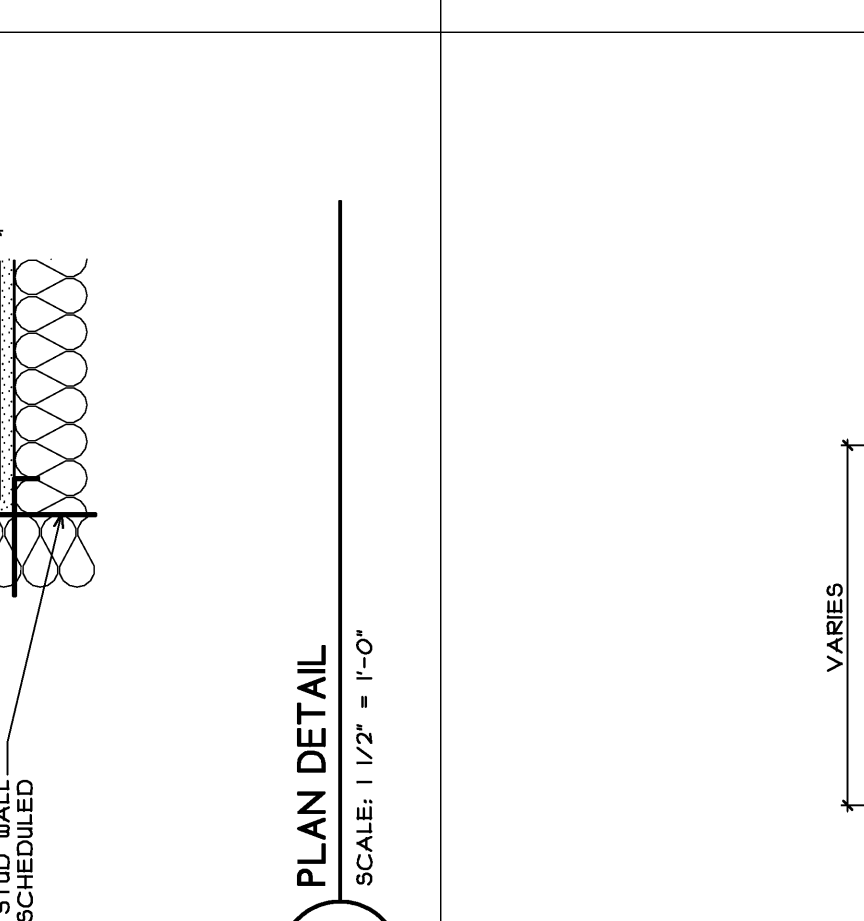
17 NOT USED
SCALE: 1/2" = 1'-0"



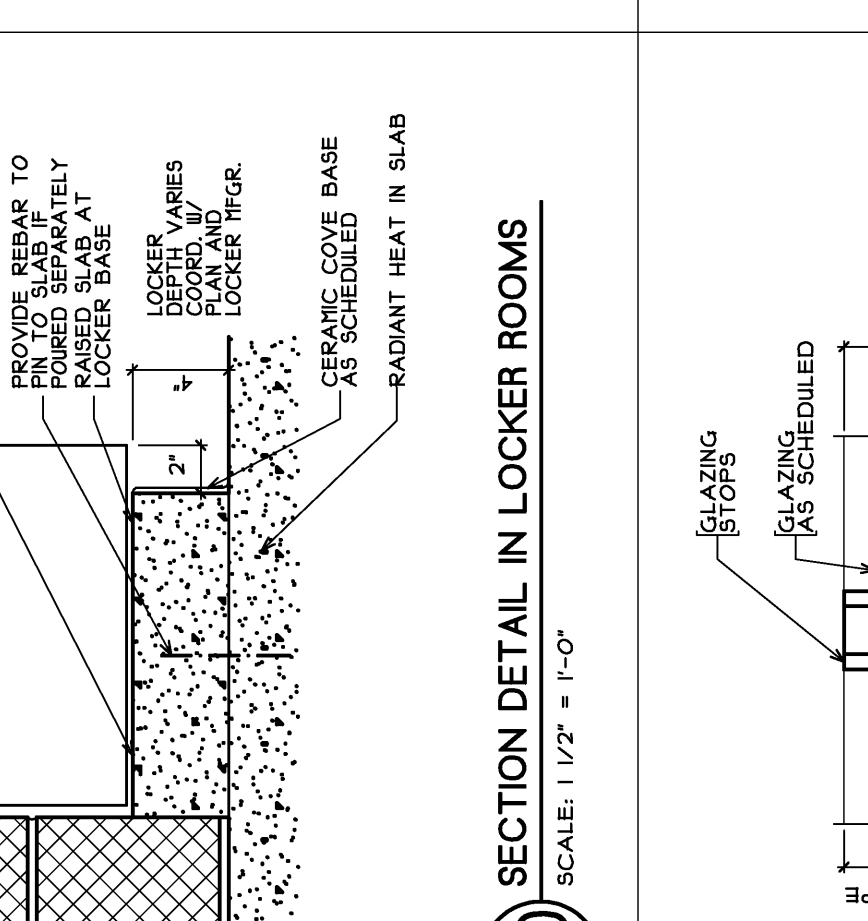
18 HEAD DETAIL - OPERABLE PARTITION @ GYM
A33/ SCALE: 1/2" = 1'-0"



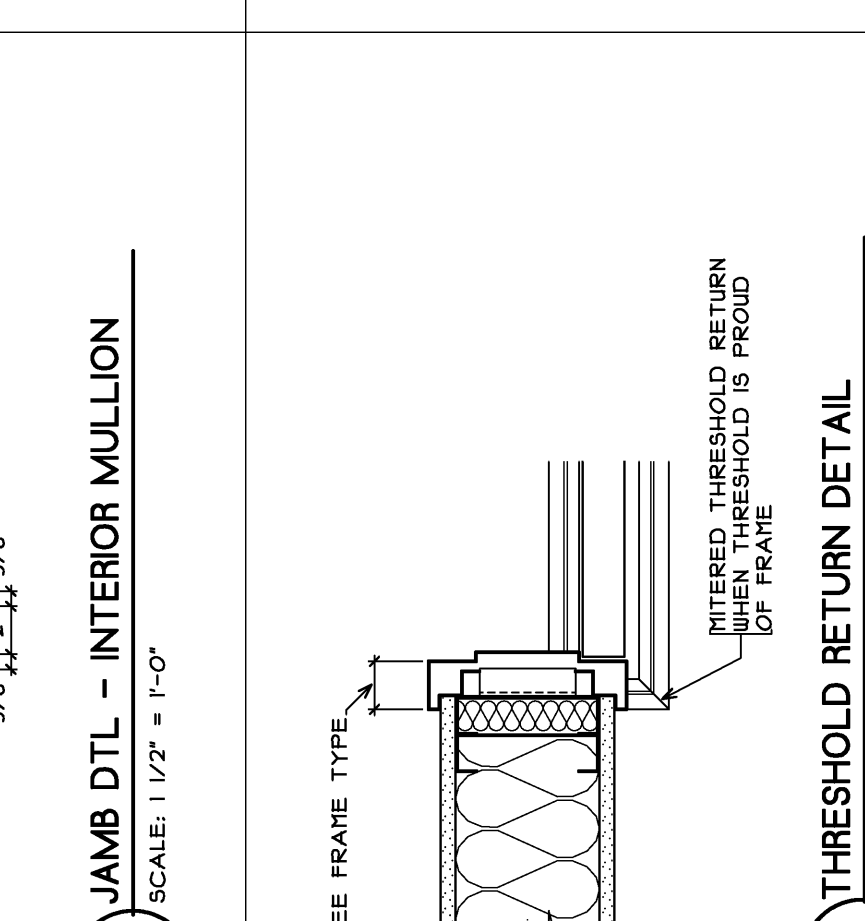
19 PLAN DETAIL
SCALE: 1/2" = 1'-0"



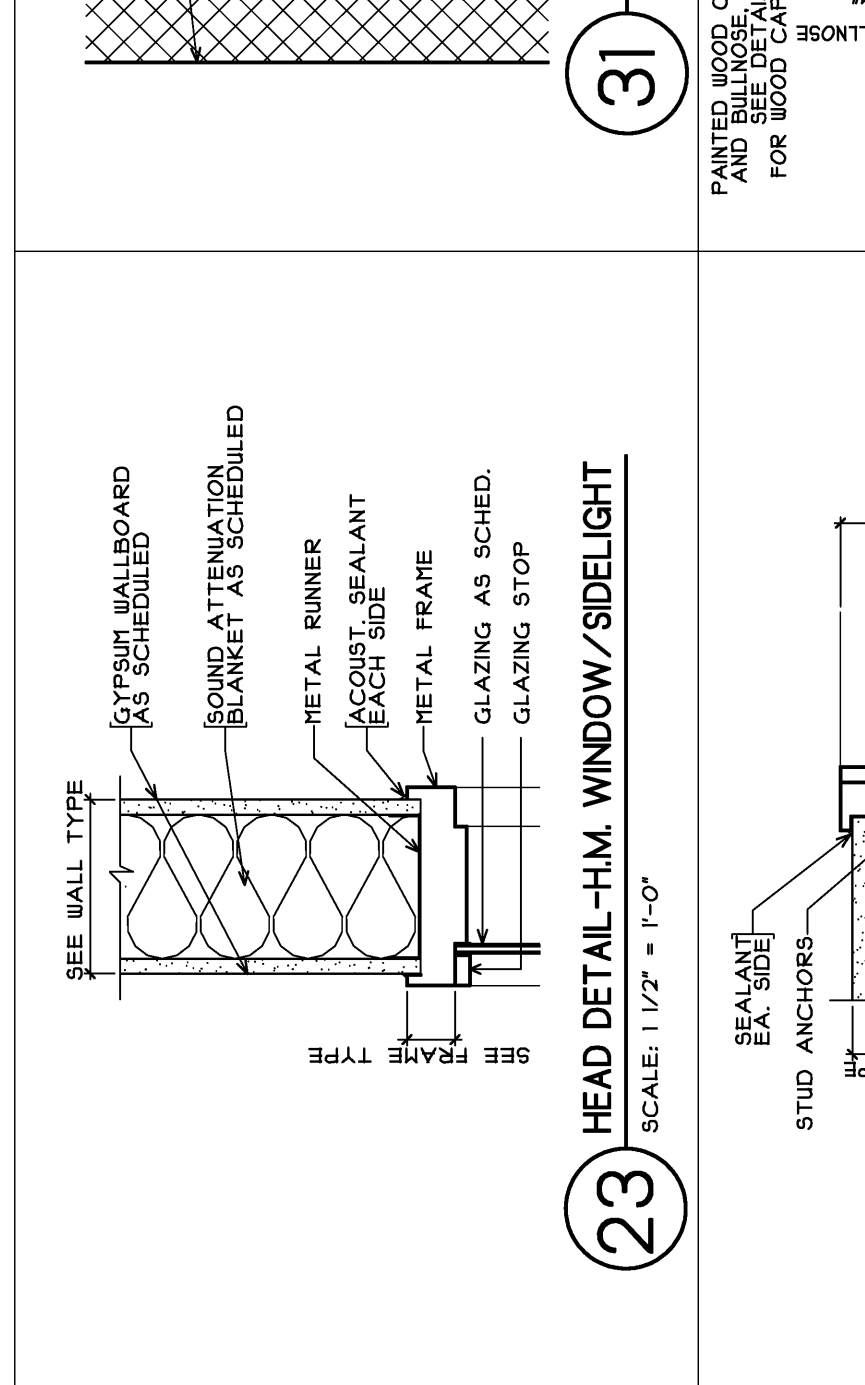
20 SECTION DETAIL IN LOCKER ROOMS
SCALE: 1/2" = 1'-0"



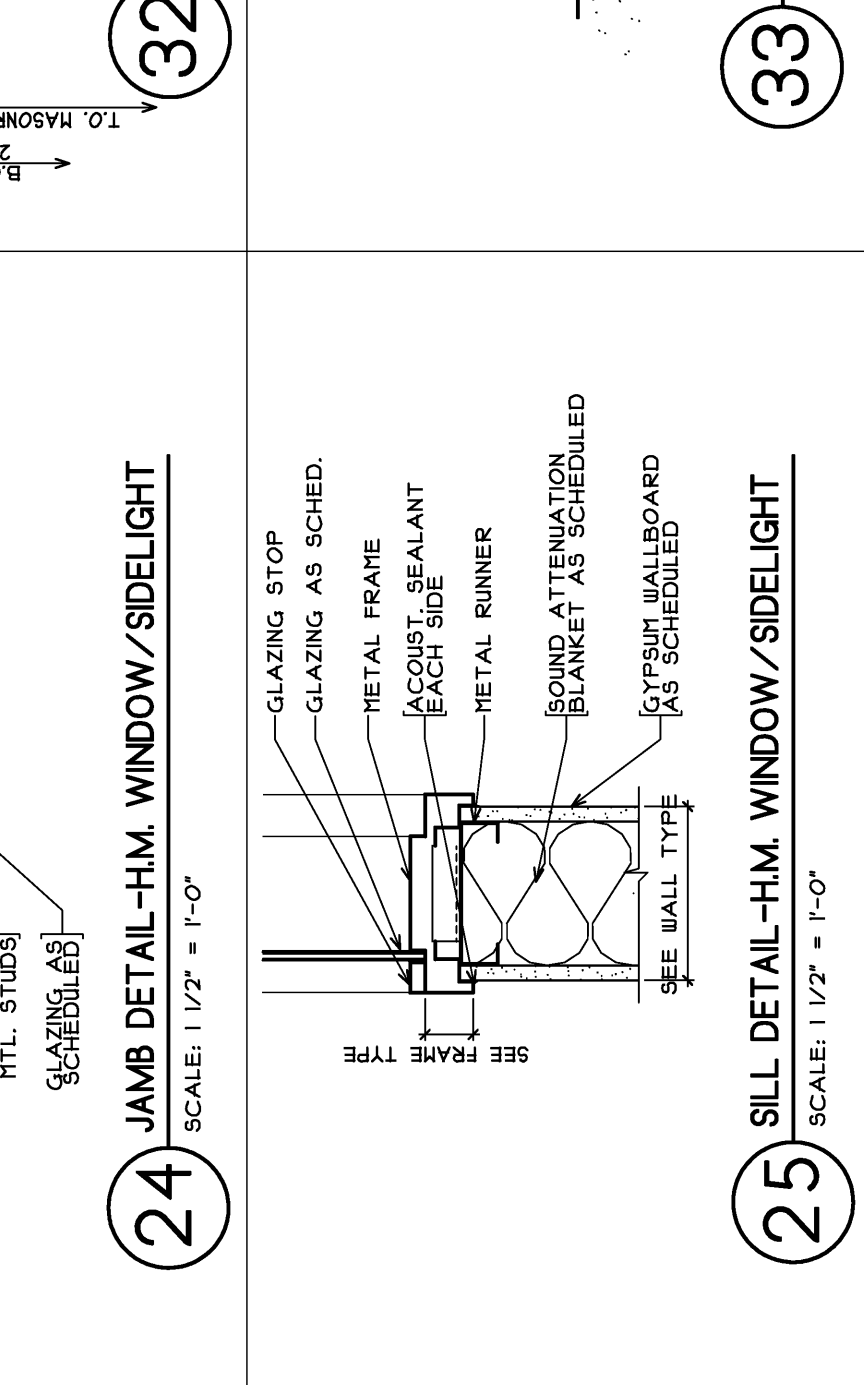
21 JAMB DTL - INTERIOR MULLION
SCALE: 1/2" = 1'-0"



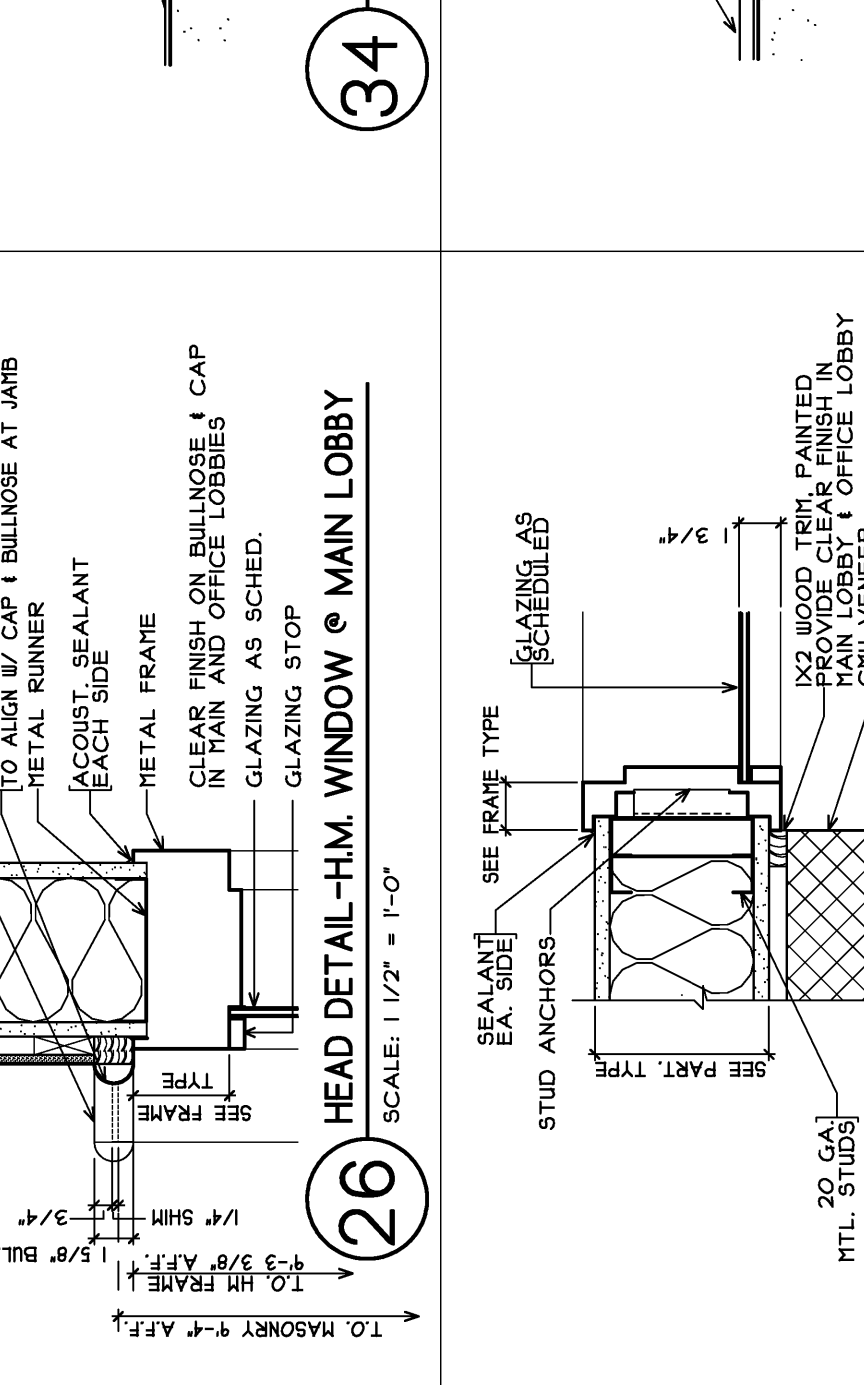
22 THRESHOLD RETURN DETAIL
SCALE: 1/2" = 1'-0"



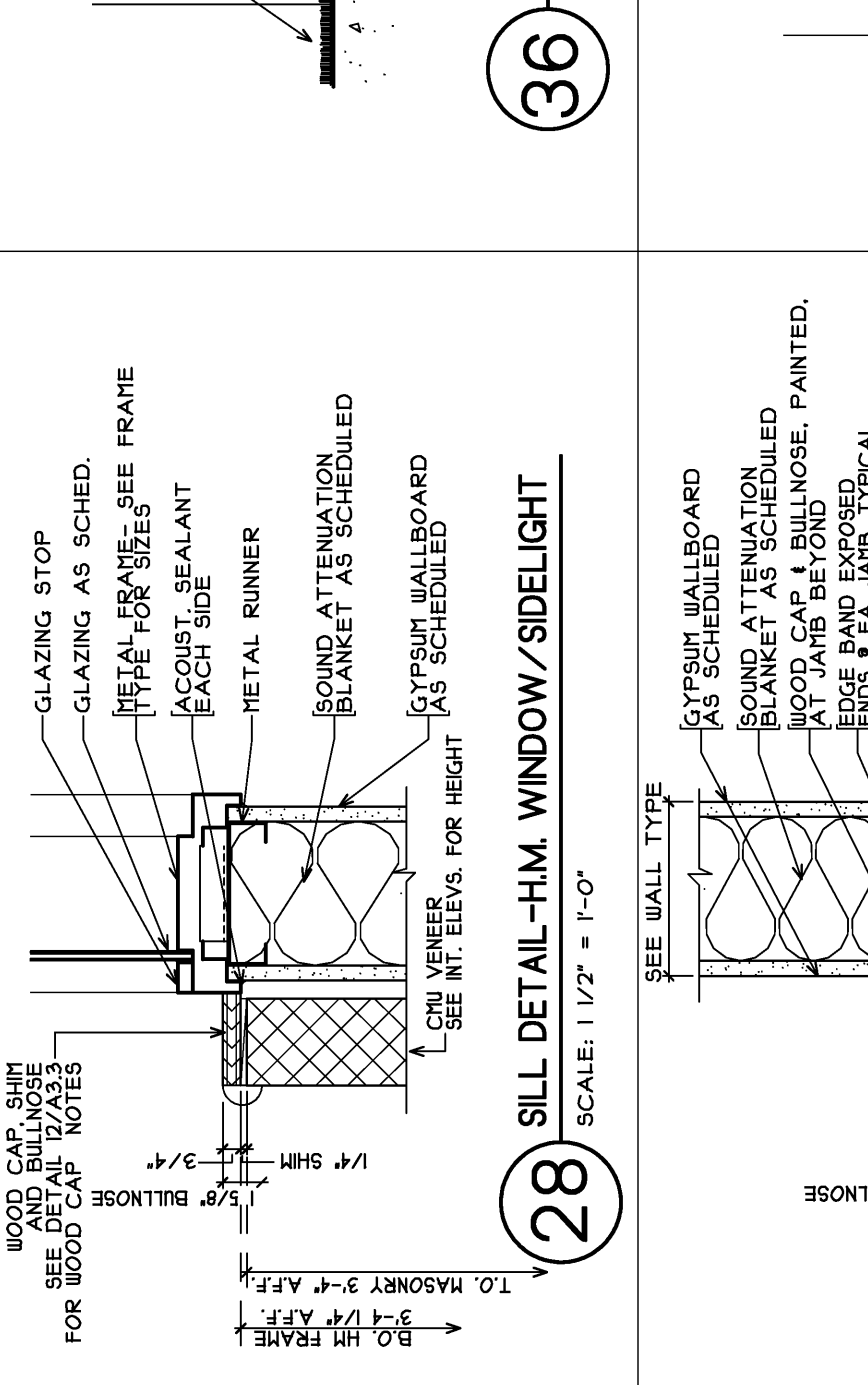
23 HEAD DETAIL - HM WINDOW/SIDE LIGHT
SCALE: 1/2" = 1'-0"



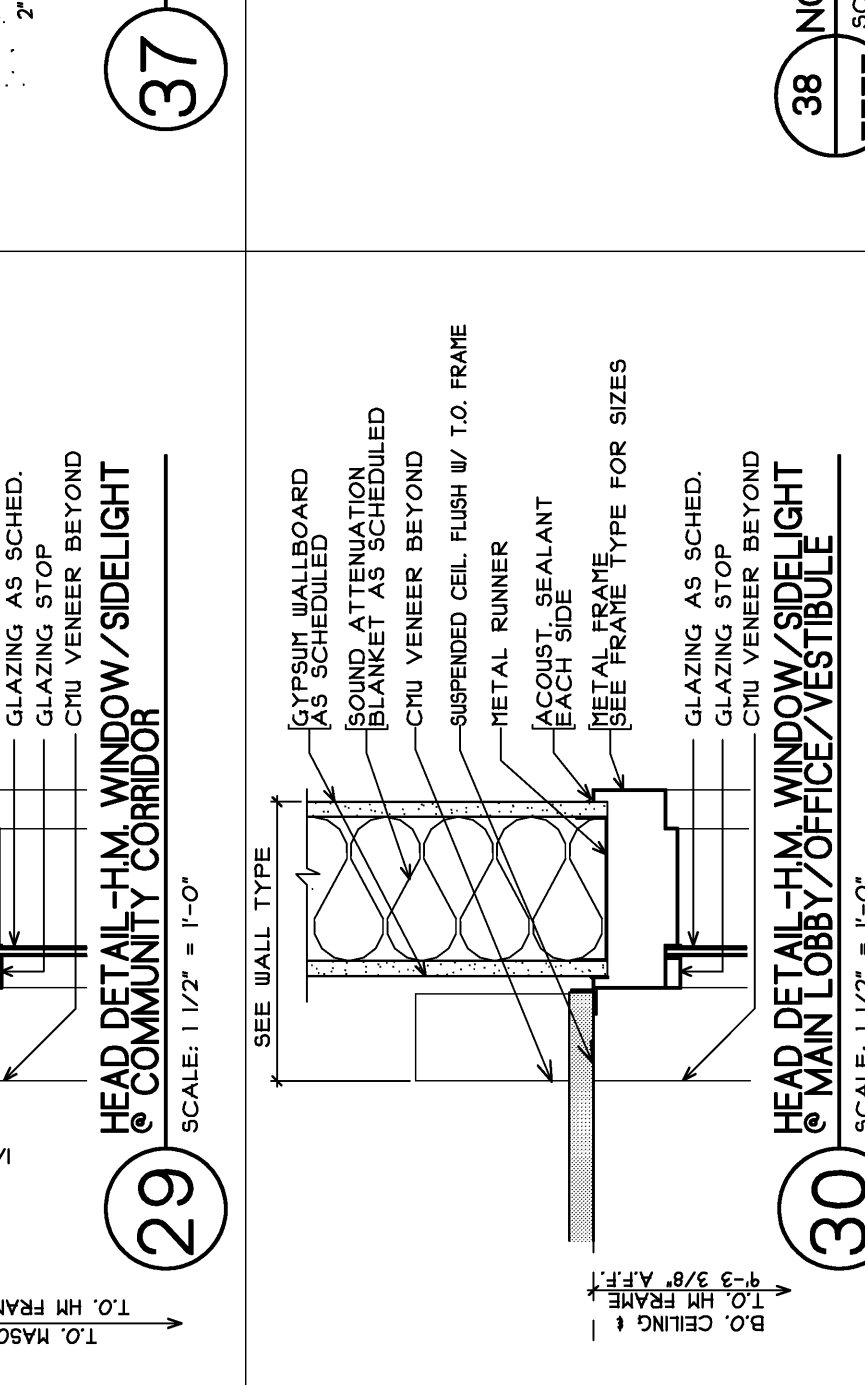
24 JAMB DETAIL - HM WINDOW/SIDE LIGHT
SCALE: 1/2" = 1'-0"



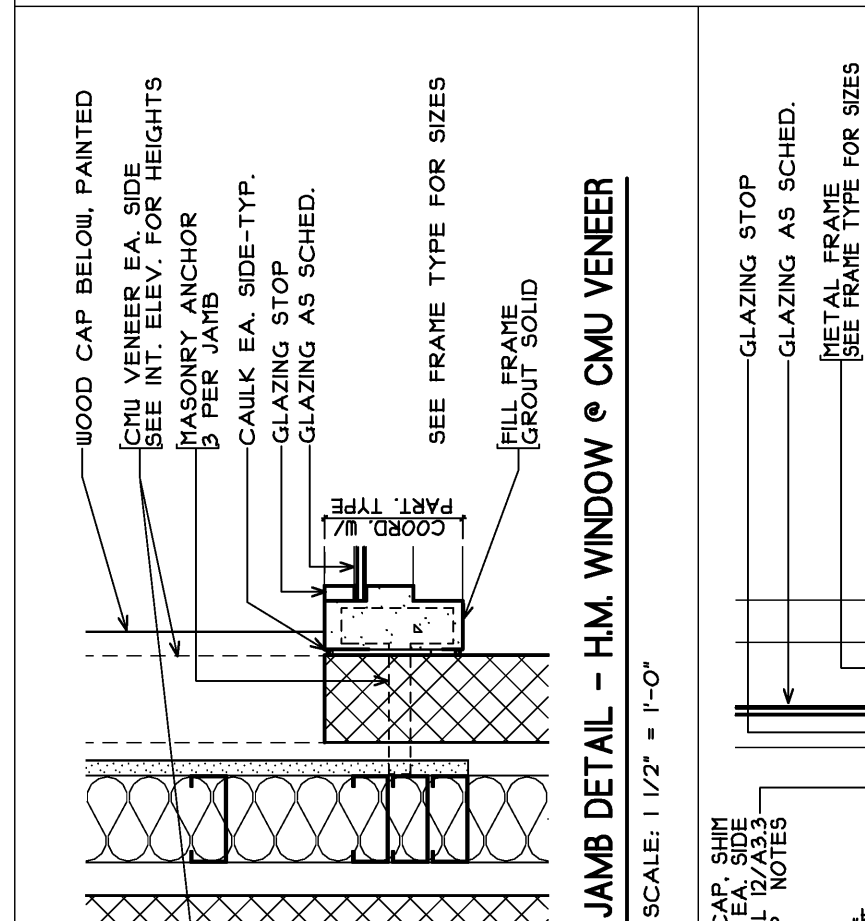
25 SILL DETAIL - HM WINDOW/SIDE LIGHT
SCALE: 1/2" = 1'-0"



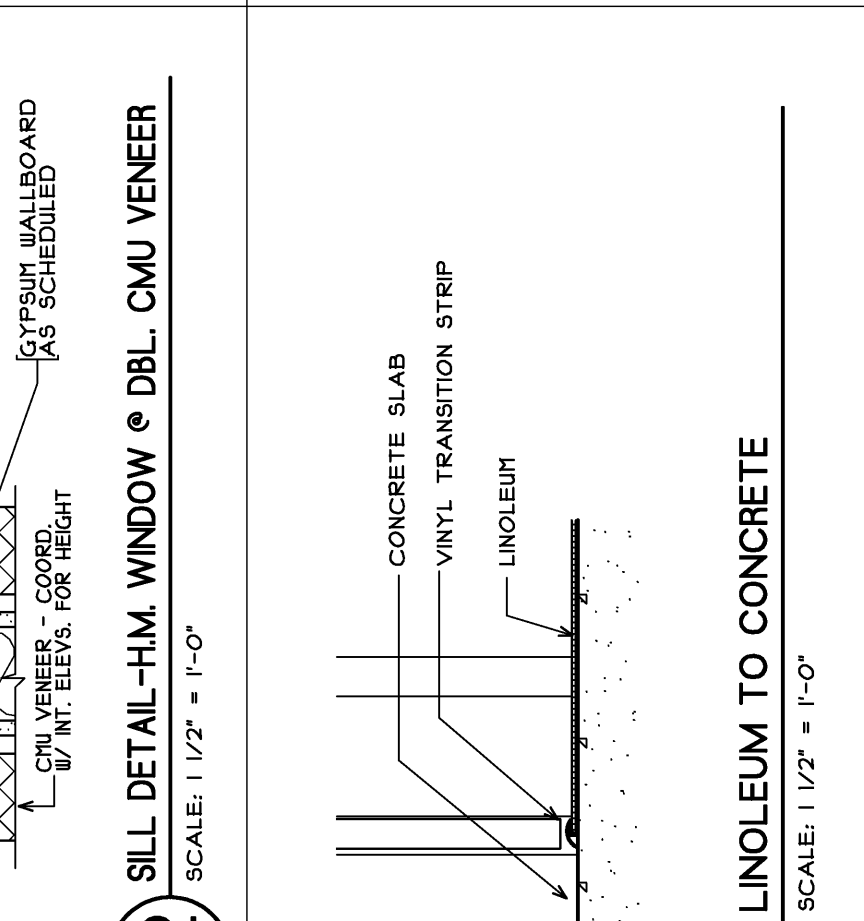
26 HEAD DETAIL - HM WINDOW @ MAIN LOBBY
SCALE: 1/2" = 1'-0"



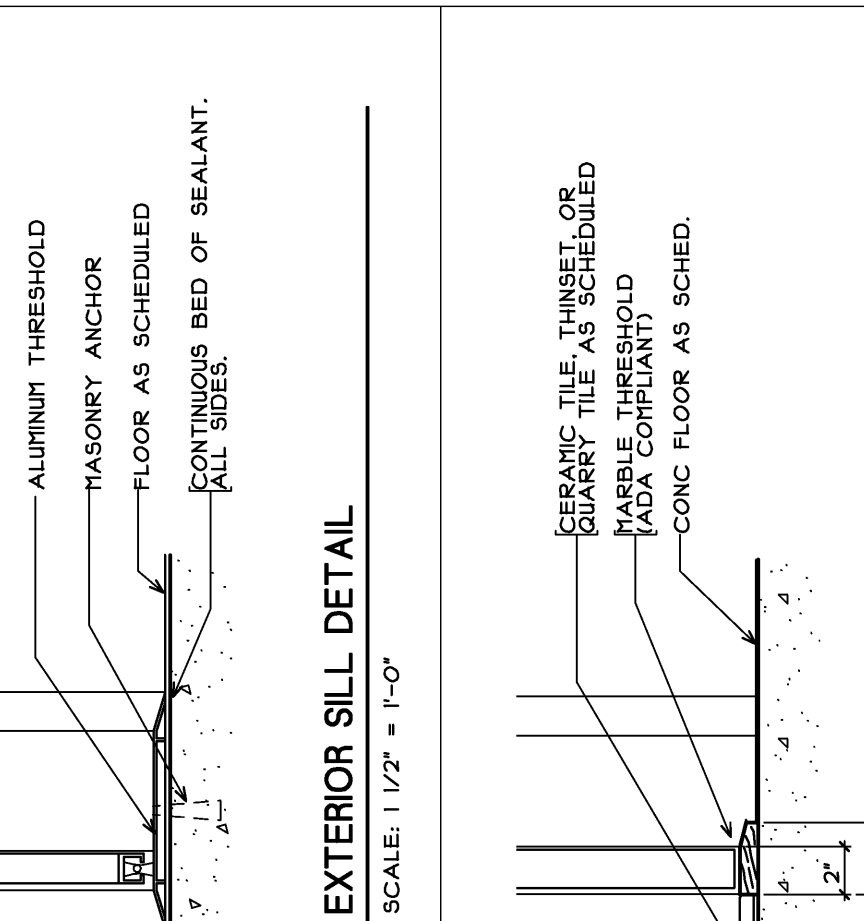
27 JAMB DETAIL - HM WINDOW/SIDE LIGHT
SCALE: 1/2" = 1'-0"



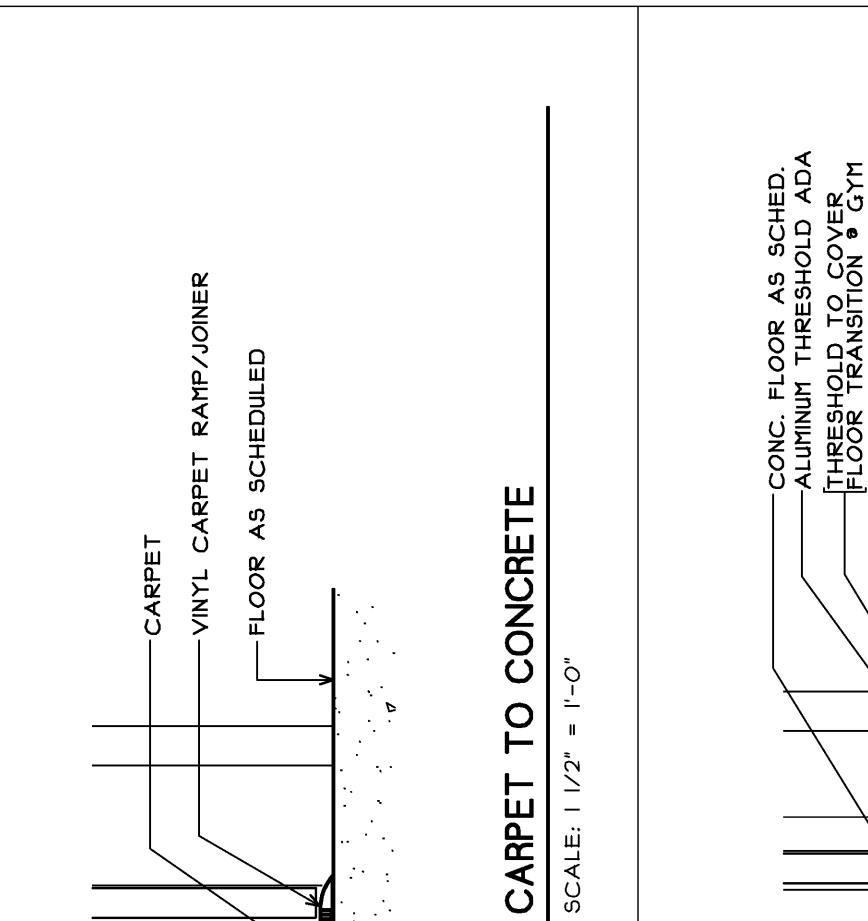
31 JAMB DETAIL - HM WINDOW @ CMU VENEER
SCALE: 1/2" = 1'-0"



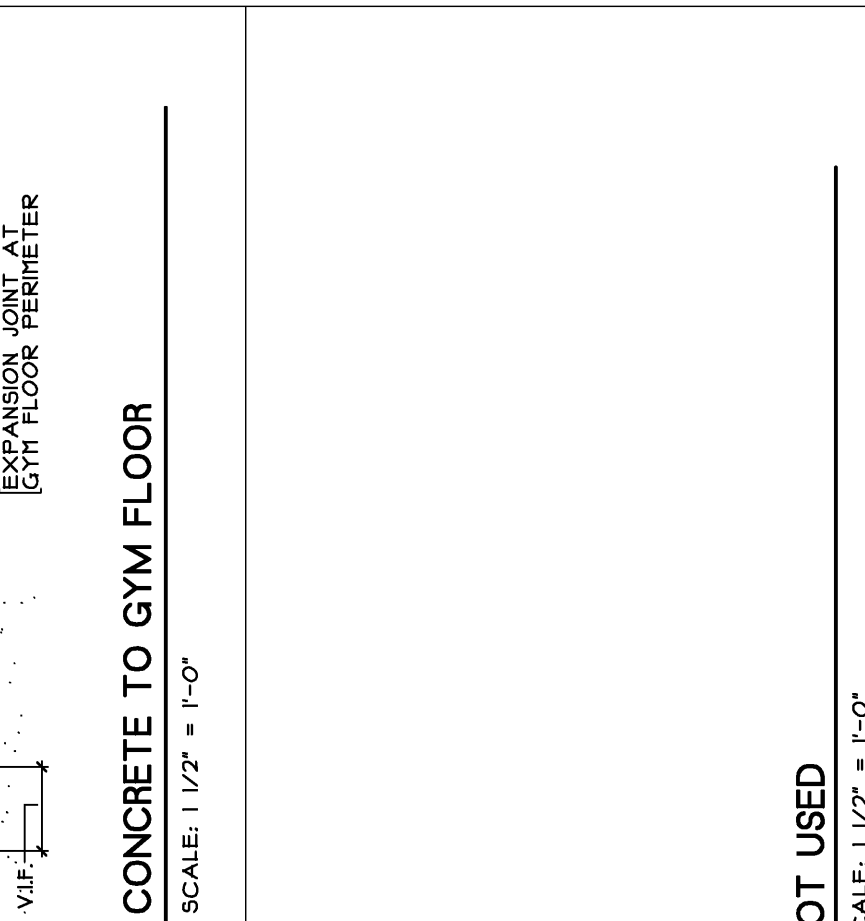
32 SILL DETAIL - HM WINDOW @ DBL. CMU VENEER
SCALE: 1/2" = 1'-0"



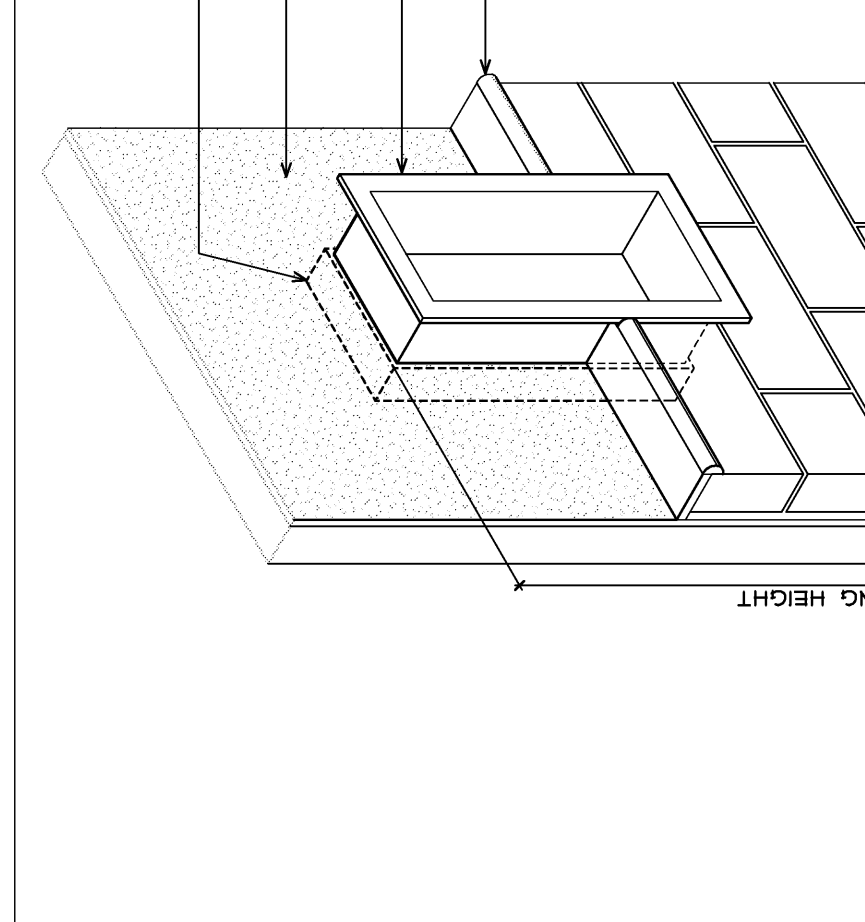
33 LINTEL TO CONCRETE
SCALE: 1/2" = 1'-0"



34 EXTERIOR SILL DETAIL
SCALE: 1/2" = 1'-0"



35 CERAMIC TILE/QUARRY TILE TO CONCRETE
SCALE: 1/2" = 1'-0"



39 FIRE EXT. CABINET IN CMU VENEER
A1/ SCALE: 3/4\"/>

East End Elementary School
Portland Public Schools
Portland, Maine

DATE: 03/11
SCALE: 1/2" = 1'-0"
DRAWN BY: JAH
CHECKED BY: JAH

DRIVING THE
SLIP JOINT, MSC
CORPORATION
HM SILL DETAILS

Consultants
Civil Engineer
Landscape Architect
Structural Engineer
Mechanical Engineer
Electrical Engineer
Interior Design
Architectural
Fore Solutions

Deluca-Hoffman Associates
Carroll Associates
Prinkham & Groer
Barnett Engineering
Barnett Design
TJM Consulting
Fore Solutions

10 Duane Street
Portland, ME 04101
Phone: 207.762.1111
Fax: 207.762.1105
Email: info@delucahoffman.com

A1.14