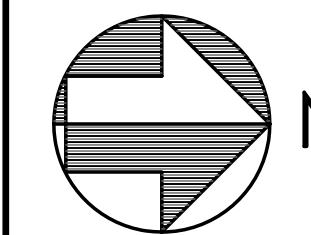
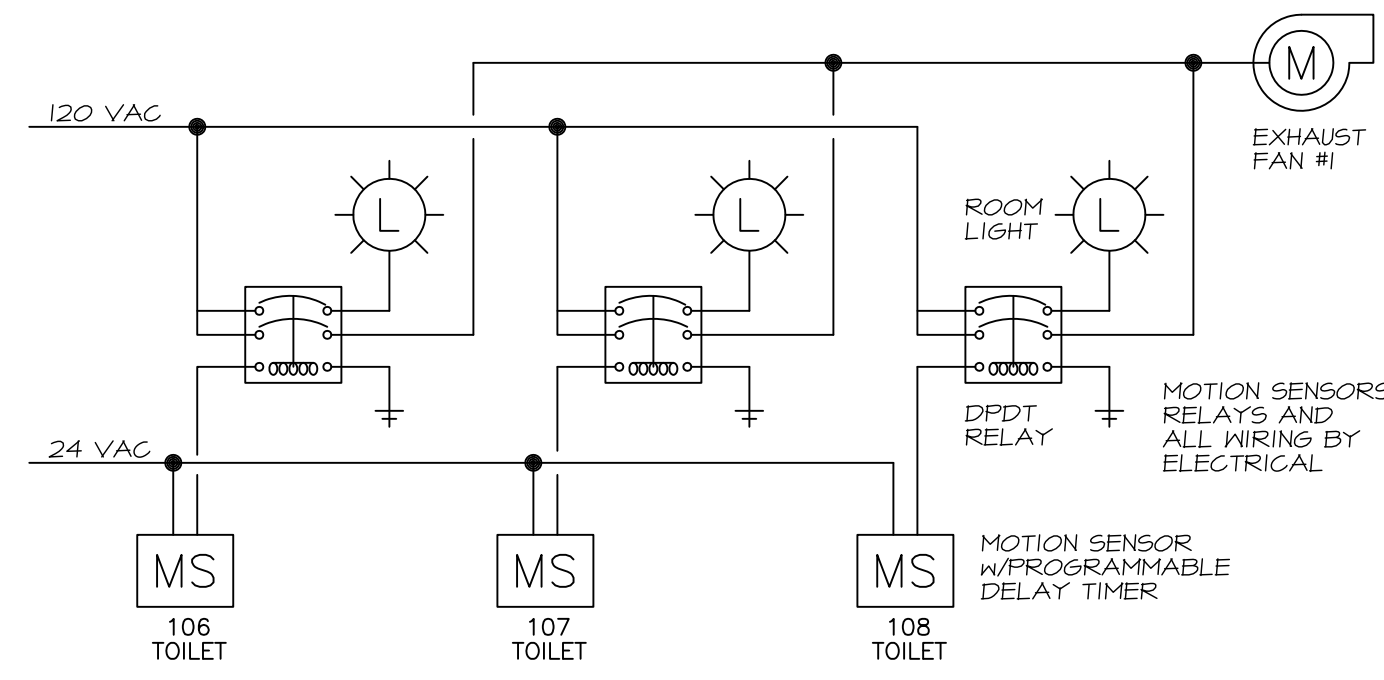
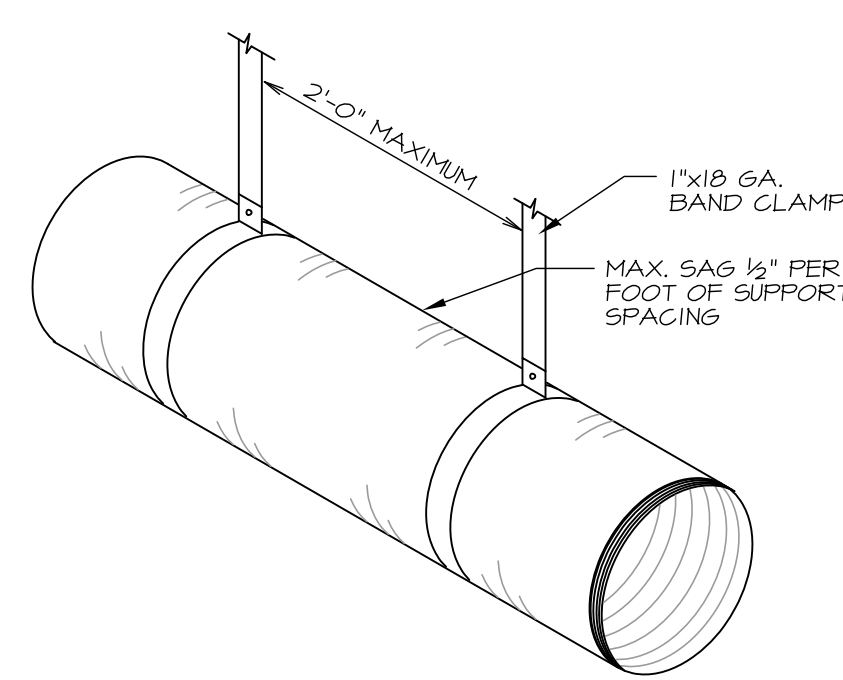
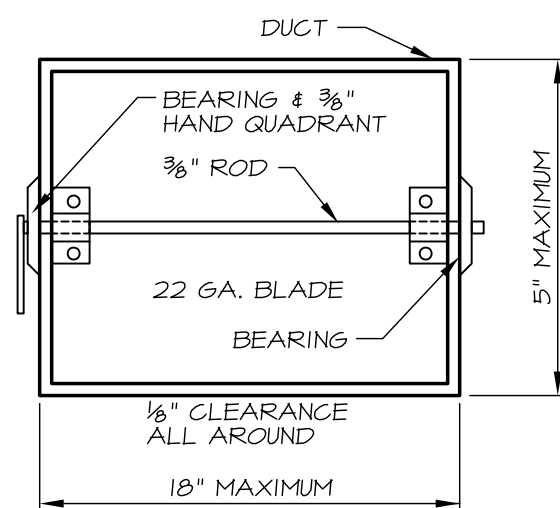


THESE TYPES OF FITTINGS PROHIBITED UNLESS SPECIFICALLY INDICATED OTHERWISE

ELBOWS TO BE SMOOTH, LONG RADIUS ONLY. SEGMENATED ELBOWS ARE PROHIBITED



ROBERT J. FOSTER ARCHITECT
36 Groveside Road, Portland, Maine 04102
(207) 761-3822

UNACCEPTABLE DUCT FITTINGS

NO SCALE

B1

SHOP FABRICATED DAMPER

NO SCALE

B2

FLEXIBLE DUCT SUPPORT

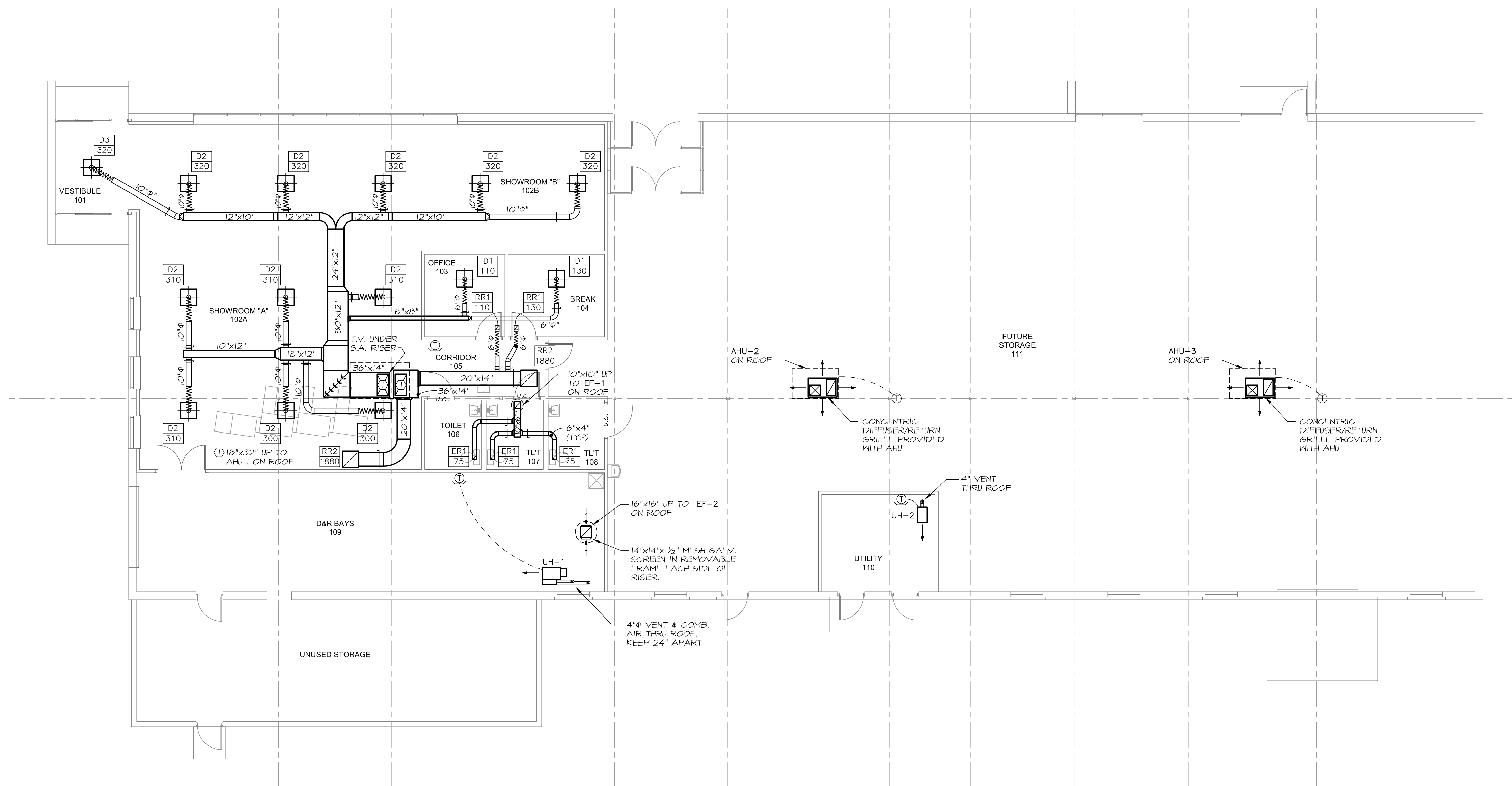
NO SCALE

B3

EXHAUST FAN #1 CONTROLS

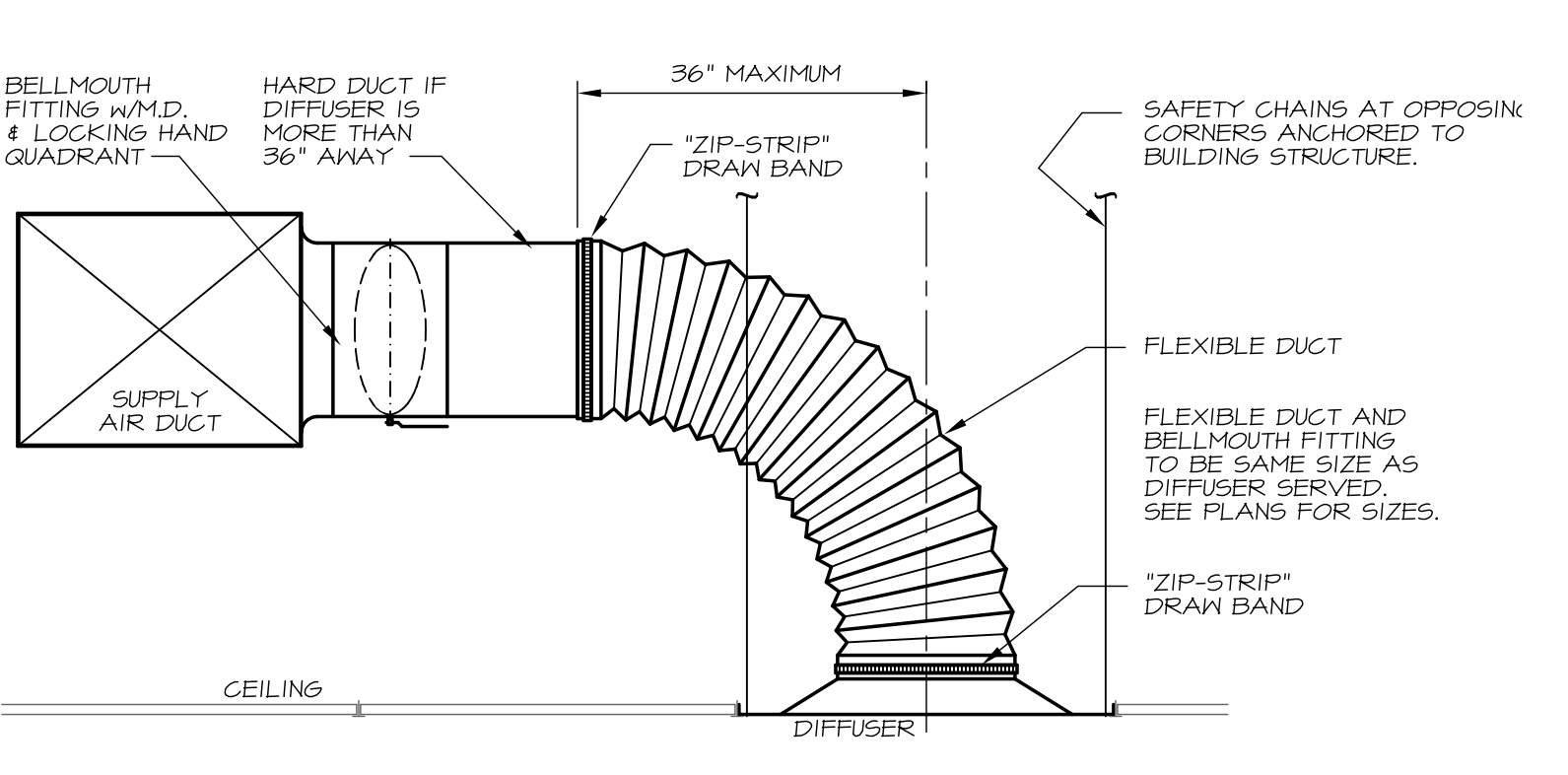
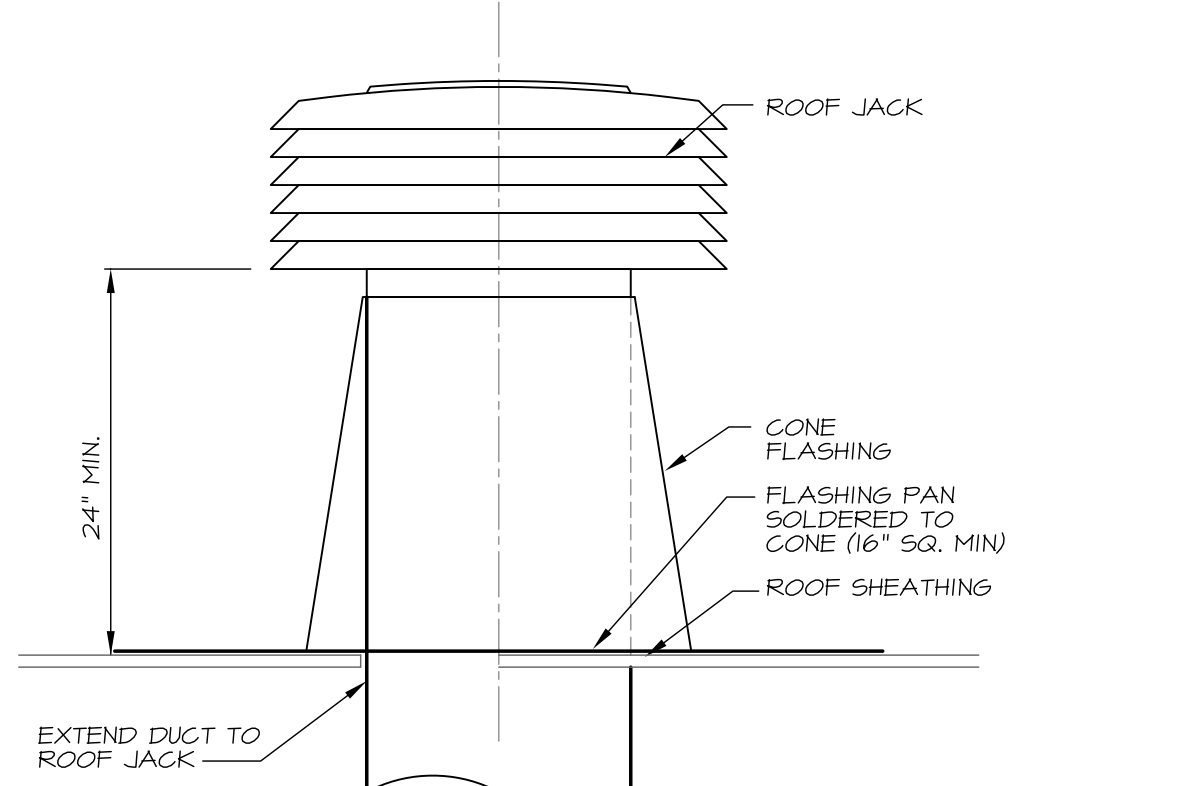
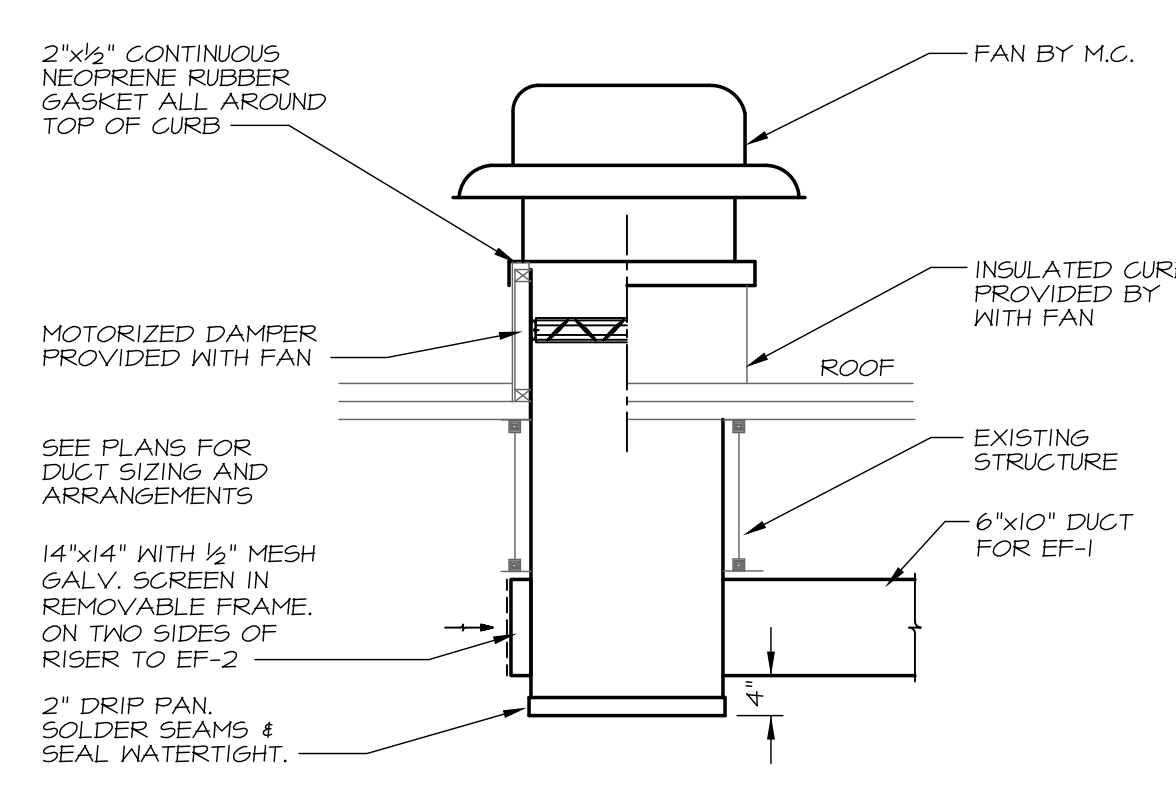
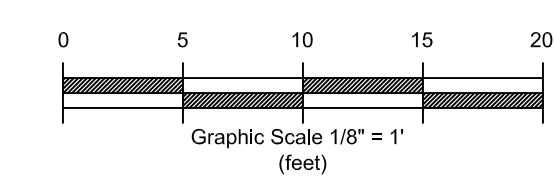
NO SCALE

B4



Project Title
U-HAUL MOVING & STORAGE
425 MARGINAL WAY
Portland, Maine

Aug. 15, 2014	Contract Document
Mark	Date
	Description
Issue Dates	



MECHANICAL SYSTEMS ENGINEERS
ROYAL RIVER CENTER, UNIT #10
10 FOREST FALLS DRIVE
YARMOUTH, MAINE 04096
FACEBOOK: MECHANICAL SYSTEMS ENGINEERS
207-840-1441
M.S.E. Proj. 1422
© COPYRIGHT 2014



ROOF EXHAUST FAN

NO SCALE

A1

COMBUSTION AIR INTAKE FOR UH-1

NO SCALE

A2

DIFFUSER CONNECTION DETAIL

NO SCALE

A3

MECHANICAL FLOOR PLAN

1/8" = 1'-0"

A4

Drawing Title
MECHANICAL PLAN AND DETAILS

Drawing Number
M1

September 25, 2014 - 3:28 PM
\\mcf\ps1\shared\Projects\1422_U-Haul\Post-Bid\1422_M1-M2.dwg