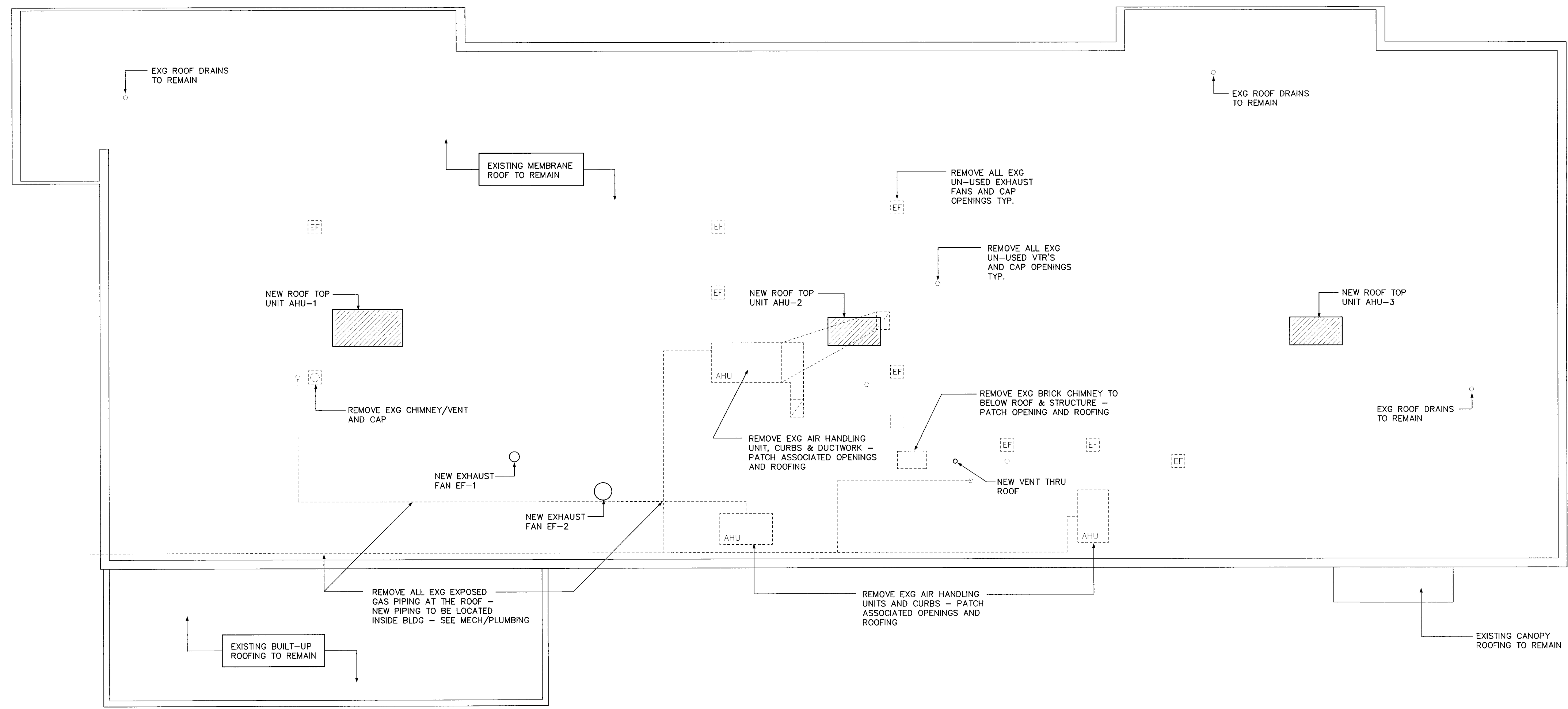


Project Title

**U-HAUL MOVING & STORAGE**

425 MARGINAL WAY  
Portland, Maine



**ROOF PLAN**

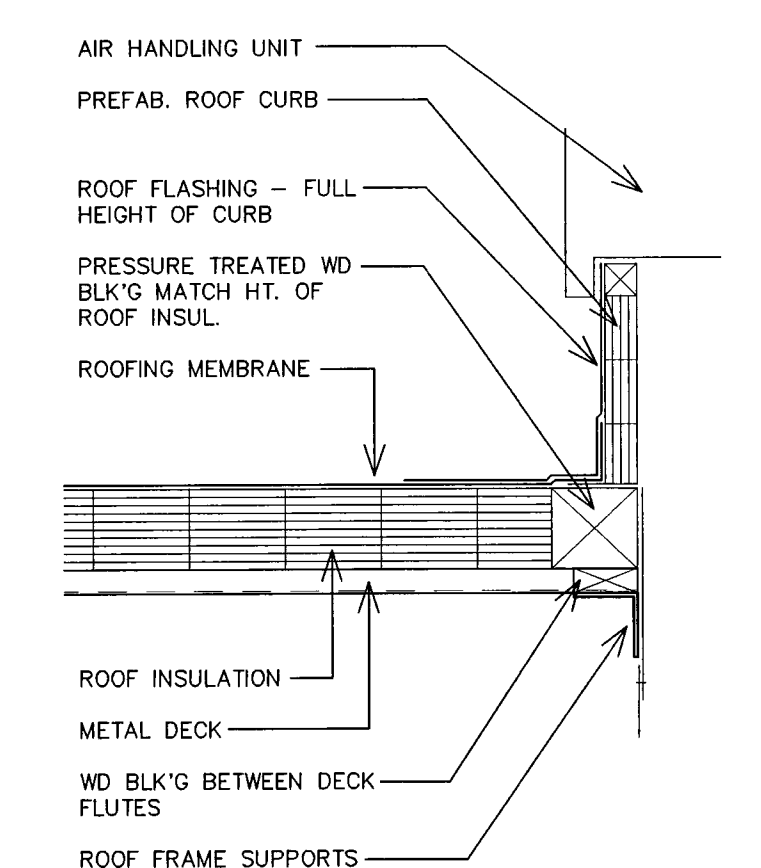
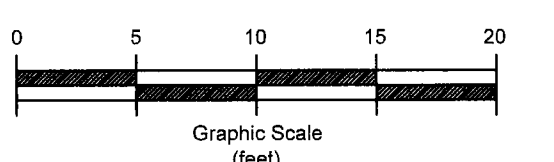
1/8" = 1'-0"

B1

09 - 08 - 14 ISSUED FOR CONSTRUCTION

Mark Date Description

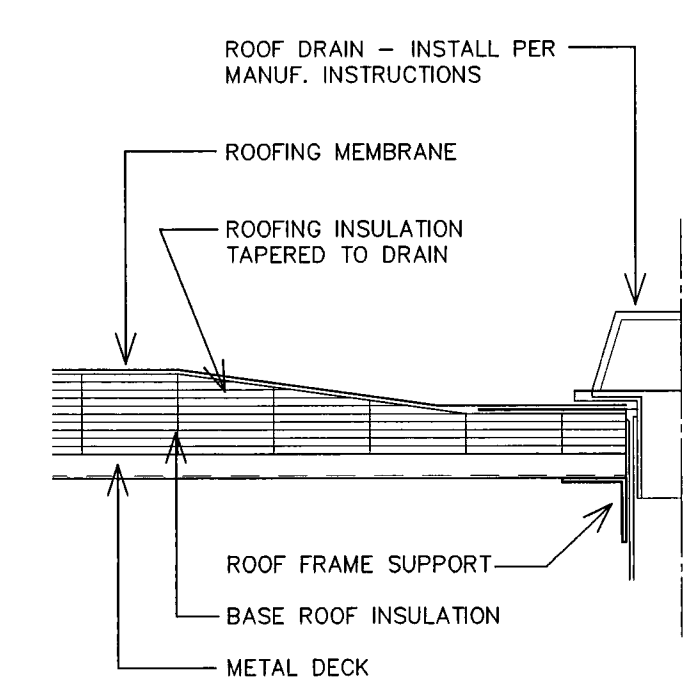
Issue Dates



EQUIP. CURB DETAIL

1" = 1'-0"

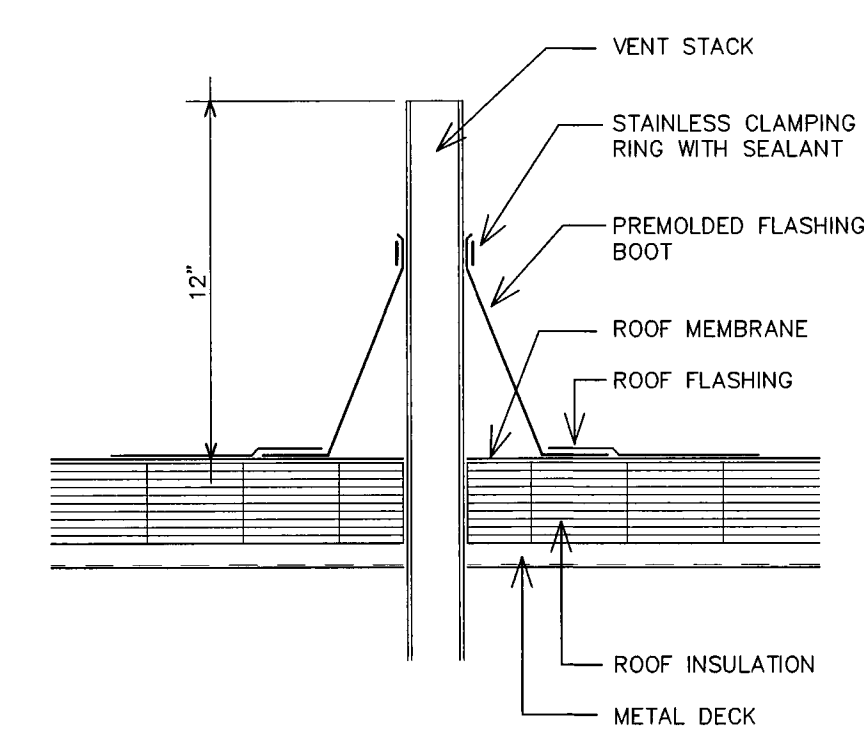
A4



ROOF DRAIN DETAIL

1" = 1'-0"

A3



ROOF VENT DETAIL

1" = 1'-0"

A2

GENERAL NOTES:

CO-ORDINATE ROOF PENETRATIONS WITH MECHANICAL PLUMBING AND ELECTRICAL CONTRACTORS.

VERIFY THAT ADEQUATE STRUCTURAL SUPPORT IS PROVIDED AT ROOF PENETRATIONS FOR MECHANICAL UNITS.

PROVIDE CRICKET INSULATION AT MECHANICAL CURB LOCATIONS

PROVIDE ADEQUATE SUPPORT FOR ROOF LEADERS FOR ROOF DRAINS ONCE THEY ENTER THE BUILDING.

PROVIDE ROOF WALK PADS TO ALL ROOF TOP MECHANICAL UNITS - PADS SHALL BE APPROVED BY ROOFING MANUFACTURER.

GENERAL NOTES

NTS

A1

Drawing Title

**ROOF PLAN**

Drawing Number

**A15.1**