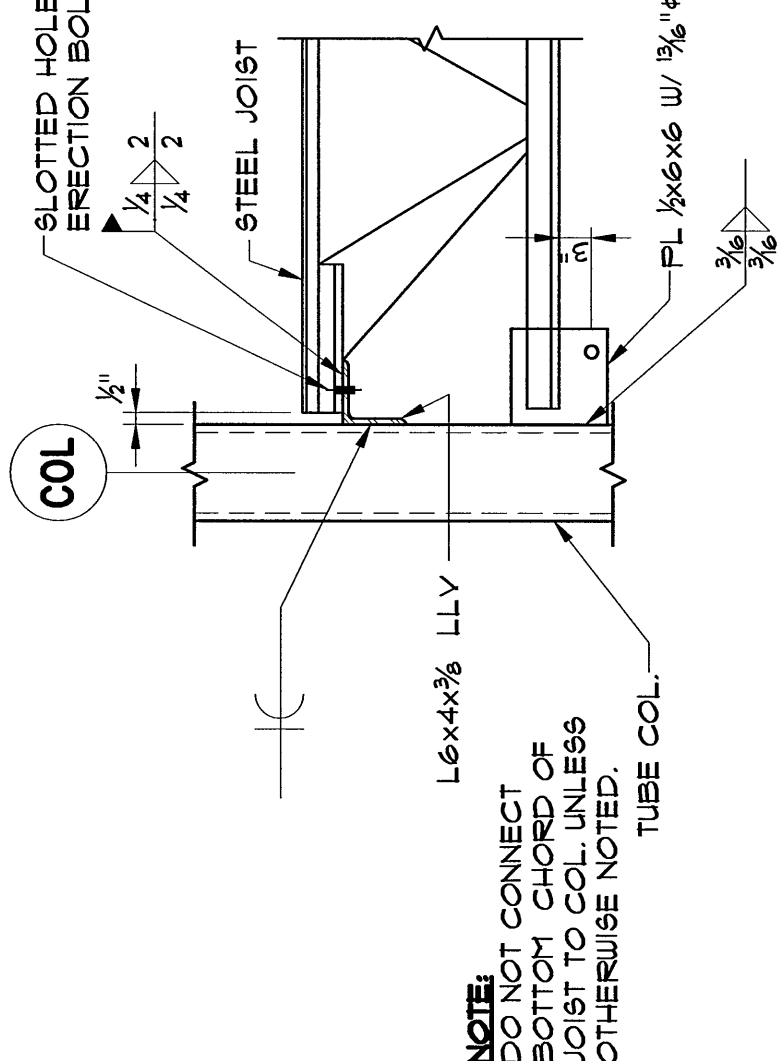


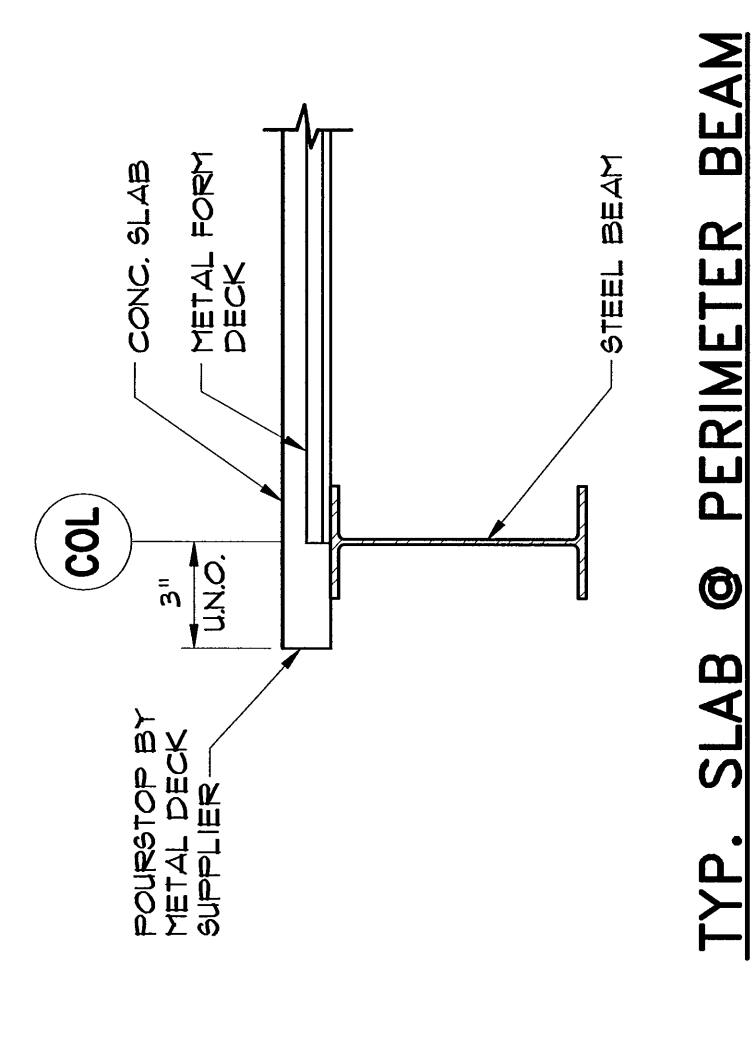
K-SERIES JOIST @ STEEL BEAM
NT.S.

NOTE: IF JOISTS DO NOT FRAME TO COLUMN NOT SHOWN EXTEND JOISTS 2' BEYOND END OF STEEL BEAM.



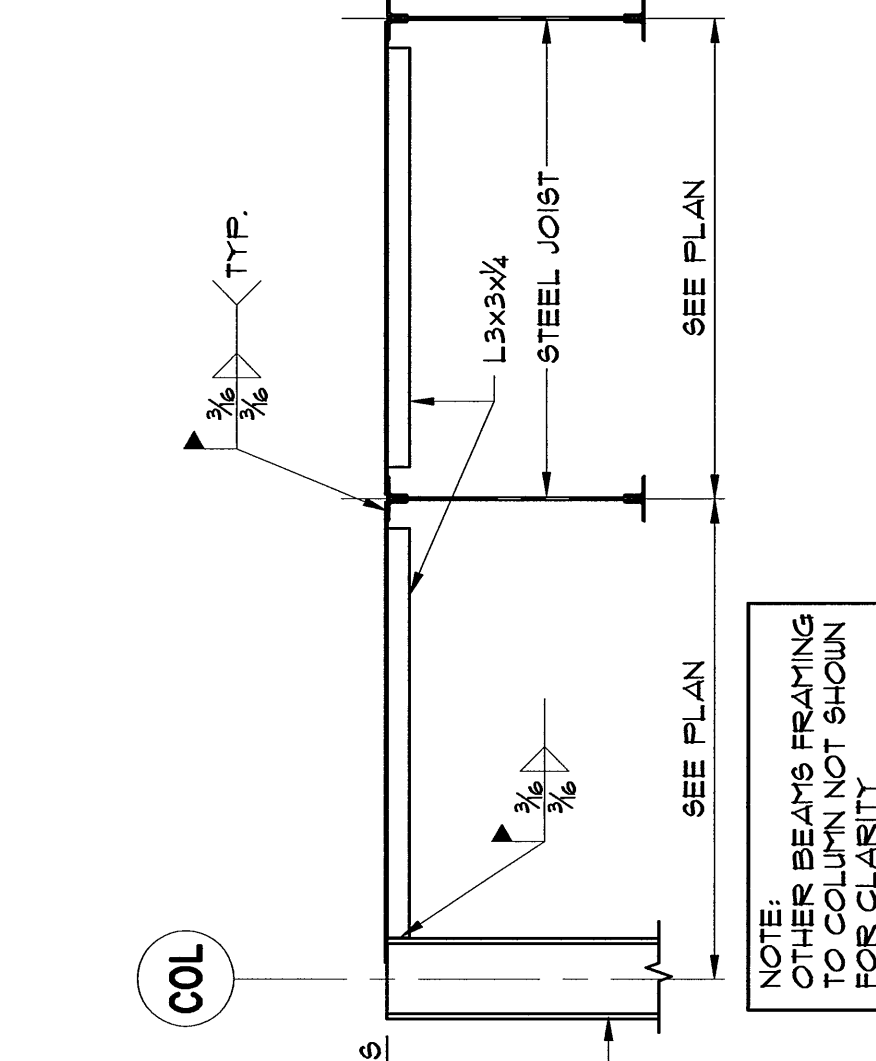
K-SERIES JOIST @ TUBE COLUMN
NT.S.

NOTE: DO NOT CONNECT BOTTOM CHORD OF JOIST TO COLUMN UNLESS OTHERWISE NOTED.



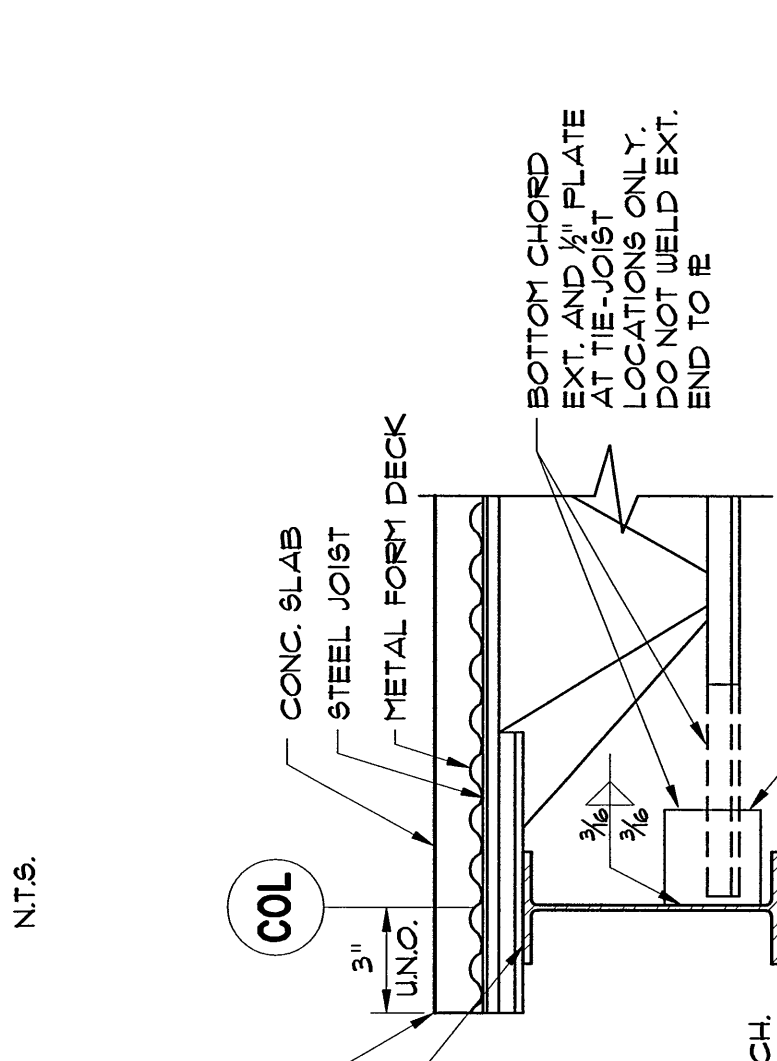
TYP. SLAB @ PERIMETER BEAM
NT.S.

POUR TOP BY SUPPLIER



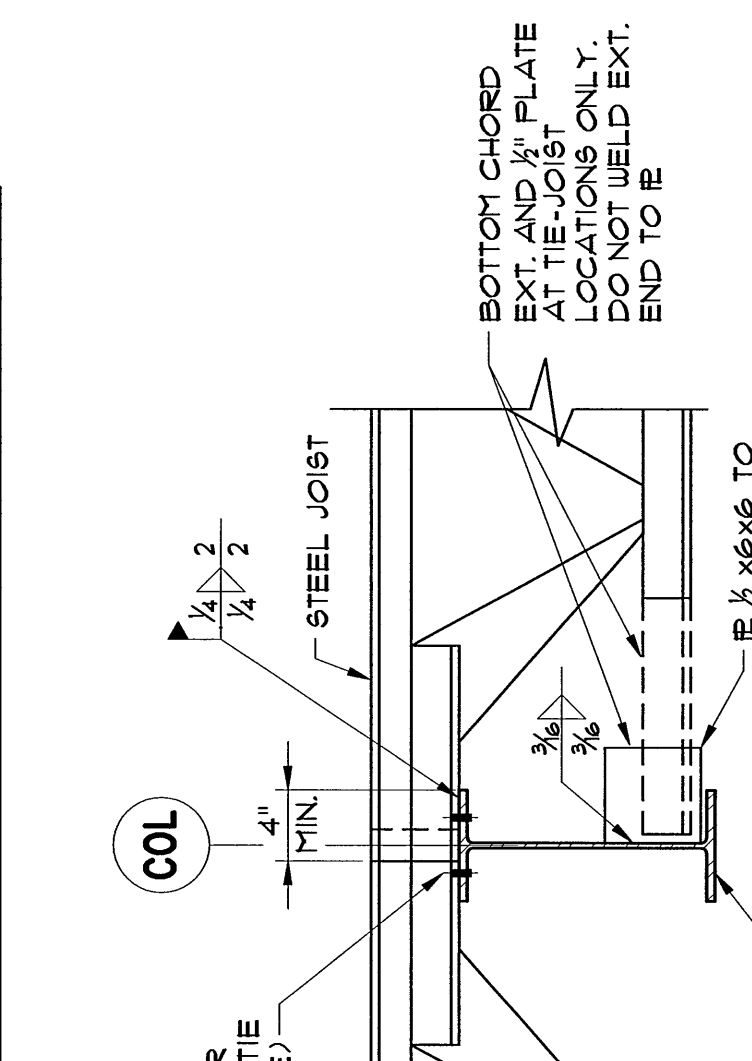
TYPICAL COLUMN STABILIZER
NT.S.

NOTE: BEAM FRAMING TO COLUMN NOT SHOWN FOR CLARITY.



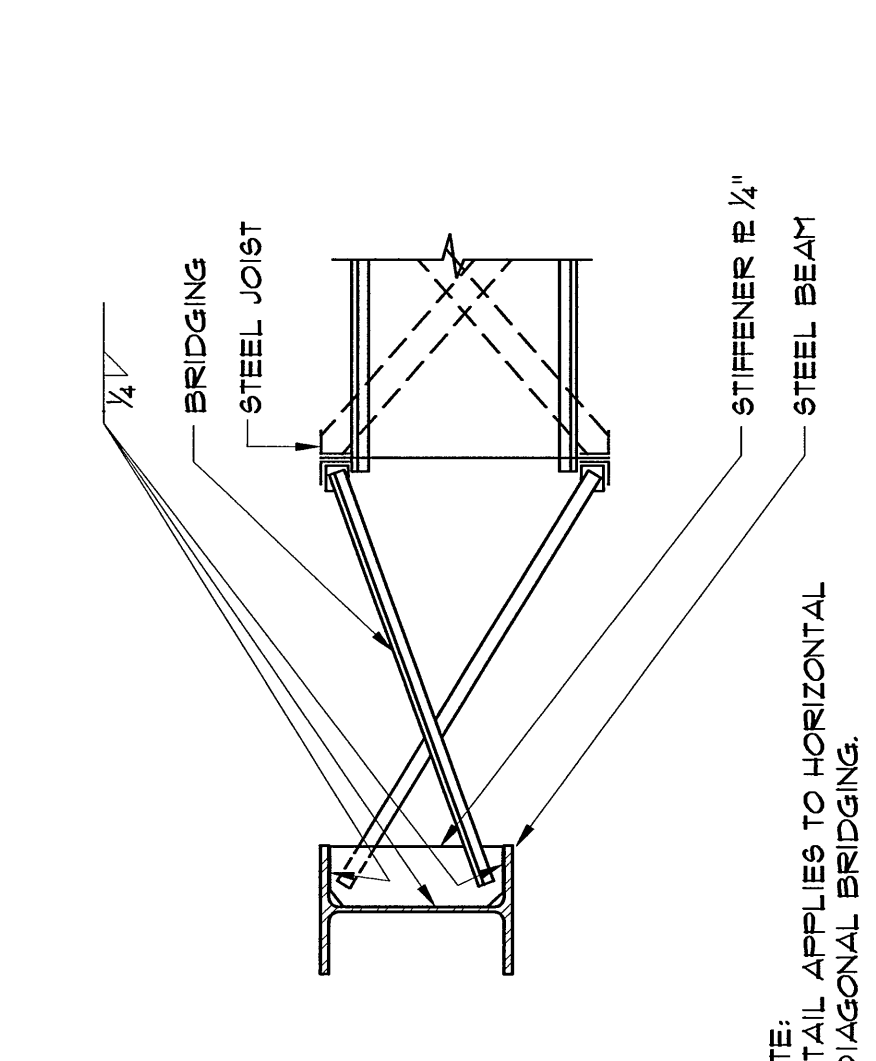
TYP. FLOOR JOIST @ PERIMETER BEAM
NT.S.

NOTE: TYP. UNG. COORD. W/ ARCH. DIMS.



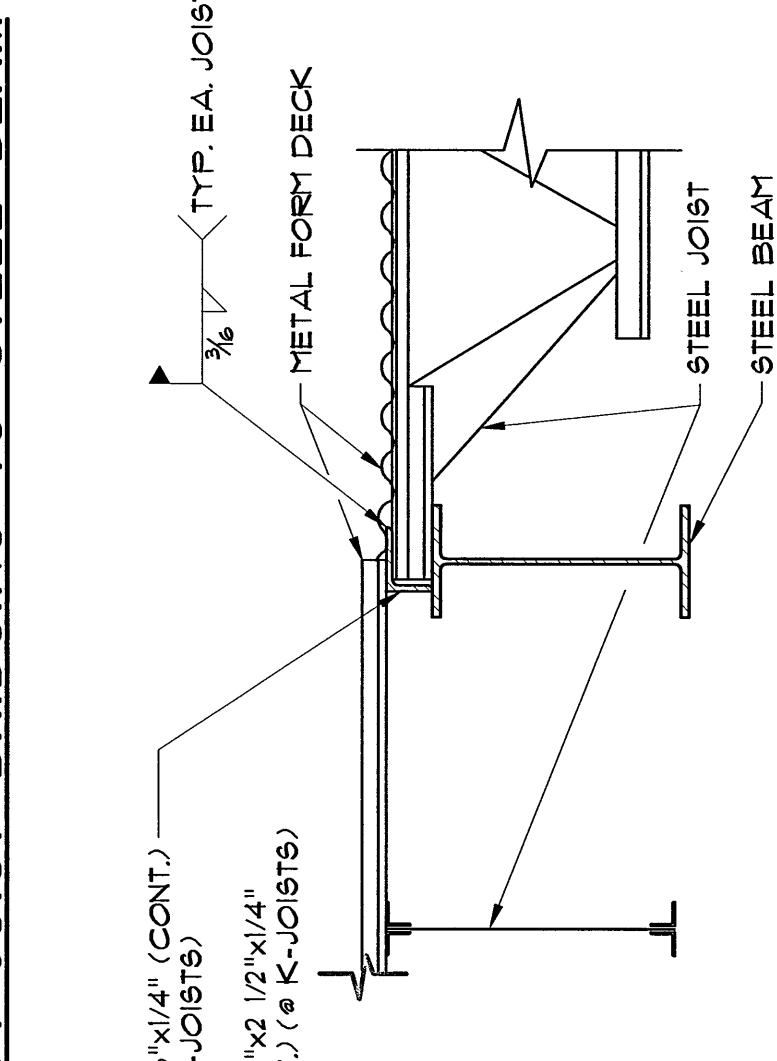
LH-SERIES JOIST @ STEEL BEAM
NT.S.

NOTE: BENT B (1/4\"/>

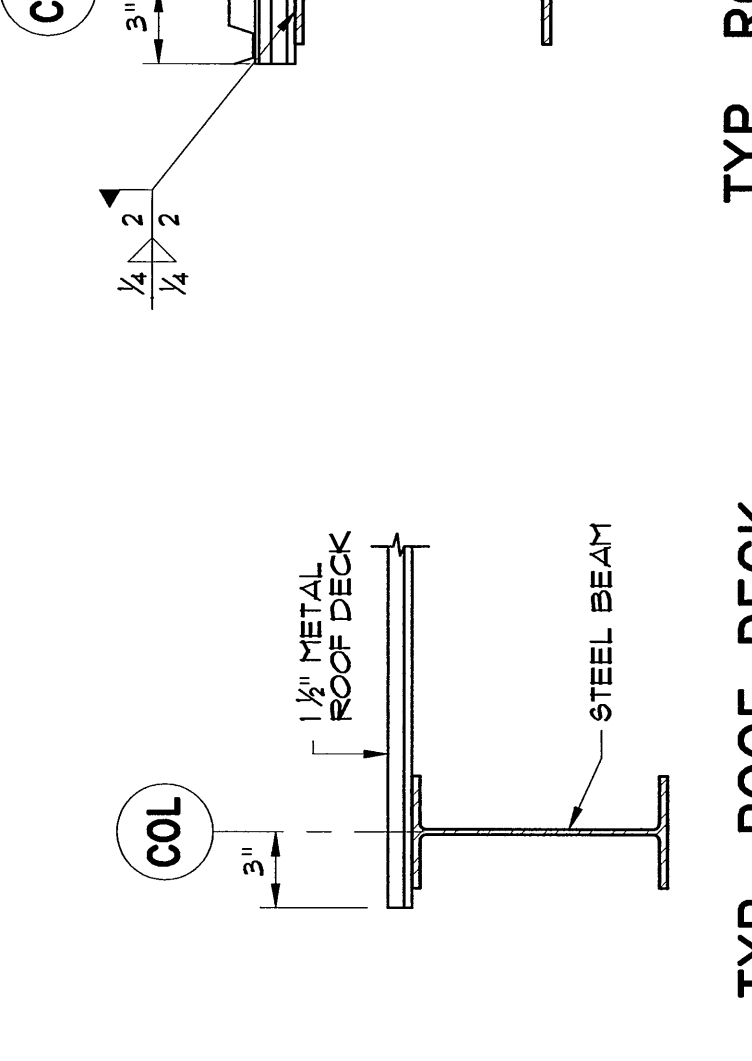


TYP. JOIST BRIDGING TO STEEL BEAM
NT.S.

NOTE: DETAIL APPLIES TO HORIZONTAL & DIAGONAL BRIDGING.

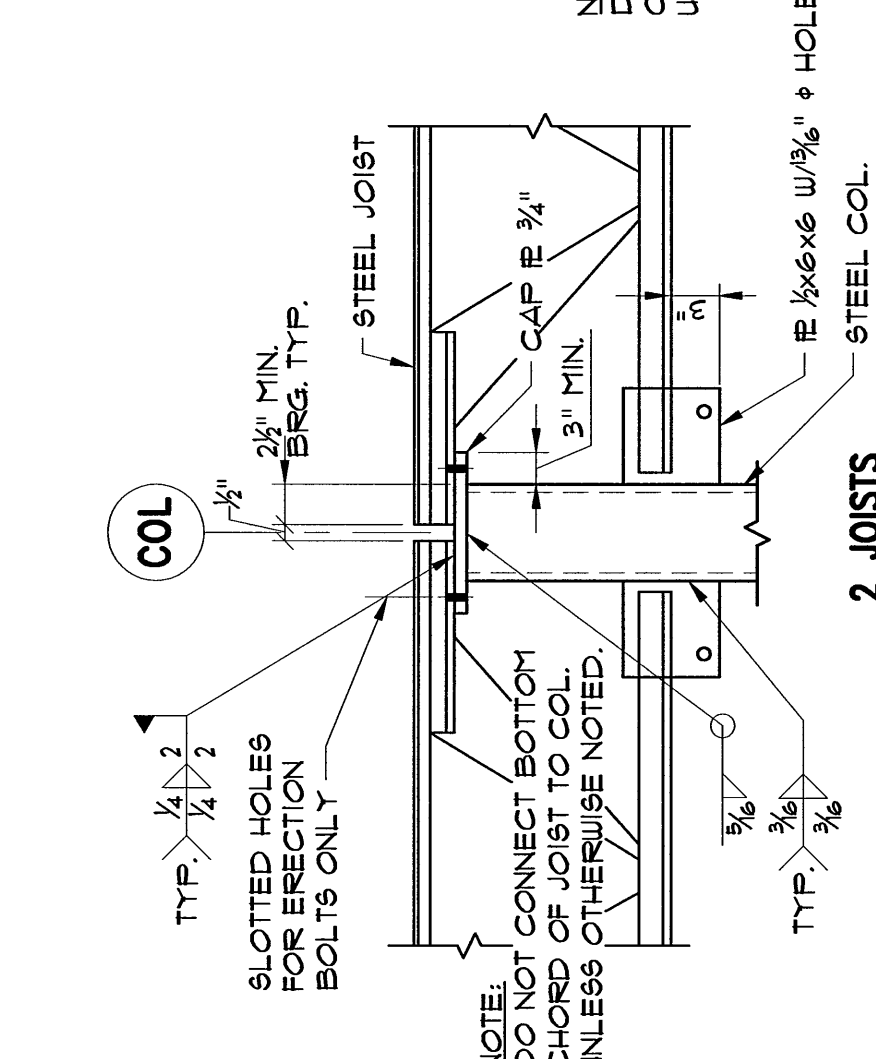


CHANGE IN DIRECTION OF METAL DECK
NT.S.



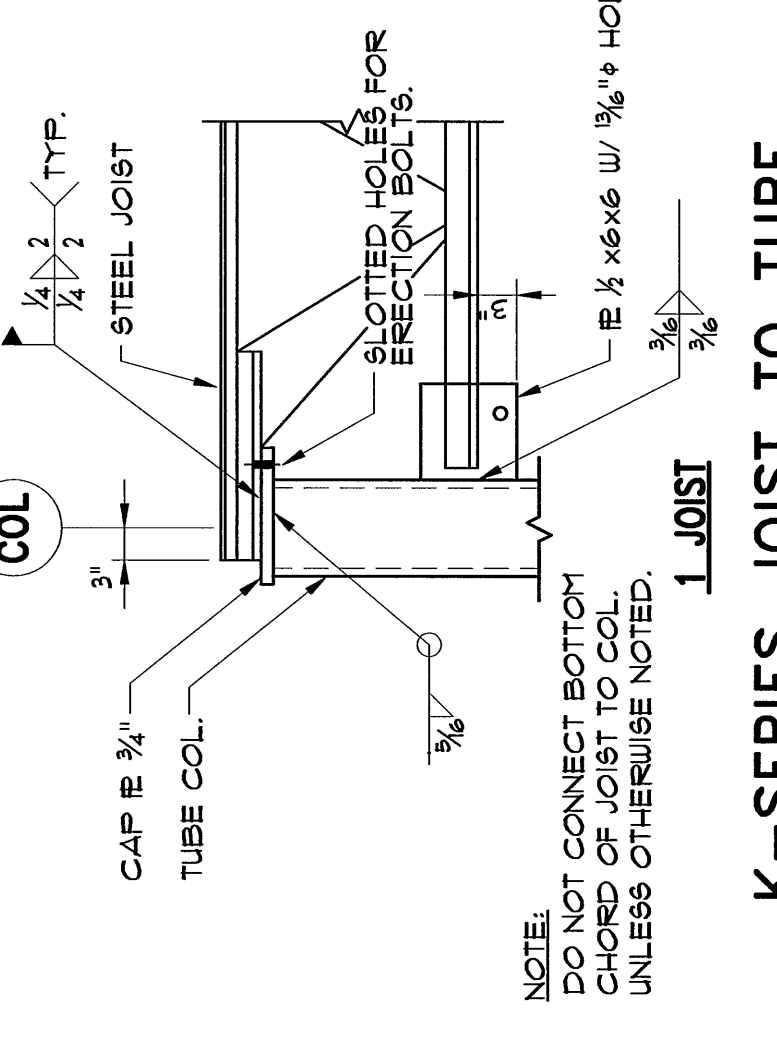
TYP. ROOF DECK @ PERIMETER BEAM
NT.S.

NOTE: 1/2\"/>



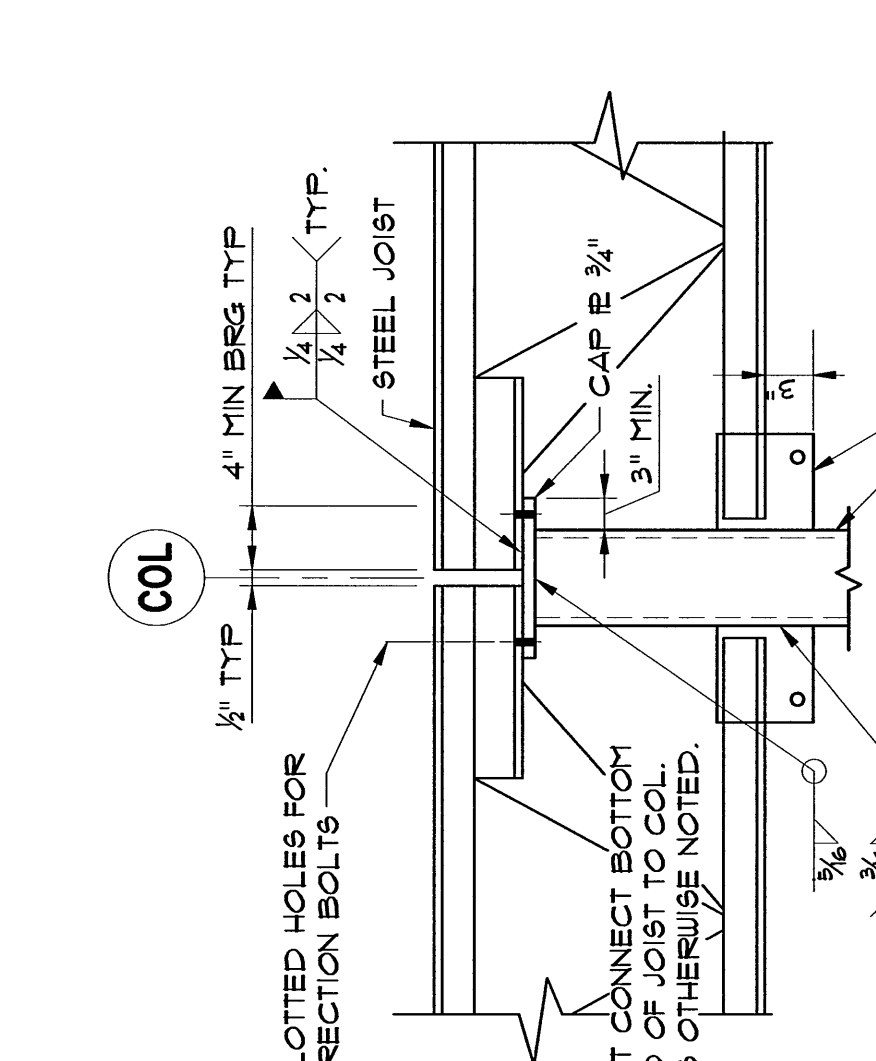
LH-SERIES JOIST TO TUBE COLUMN @ ROOF
NT.S.

NOTE: CONCENTRATED LOADS OVER 200\"/>



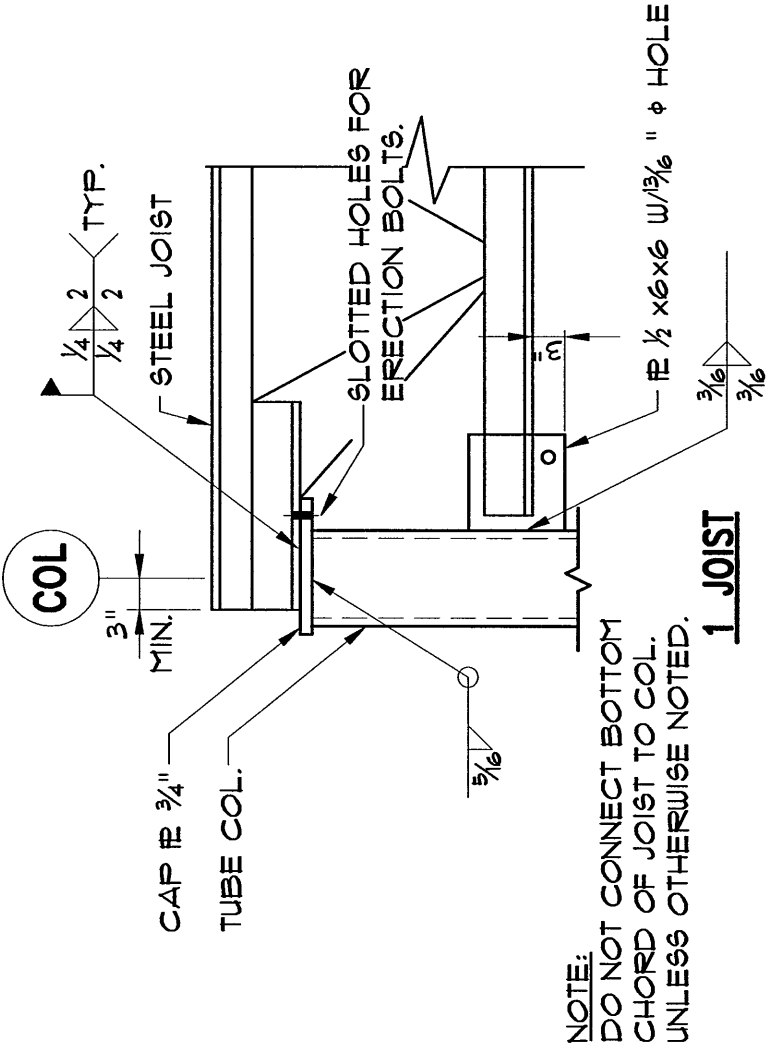
K-SERIES JOIST TO TUBE COLUMN @ ROOF
NT.S.

NOTE: CONCENTRATED LOADS OVER 200\"/>



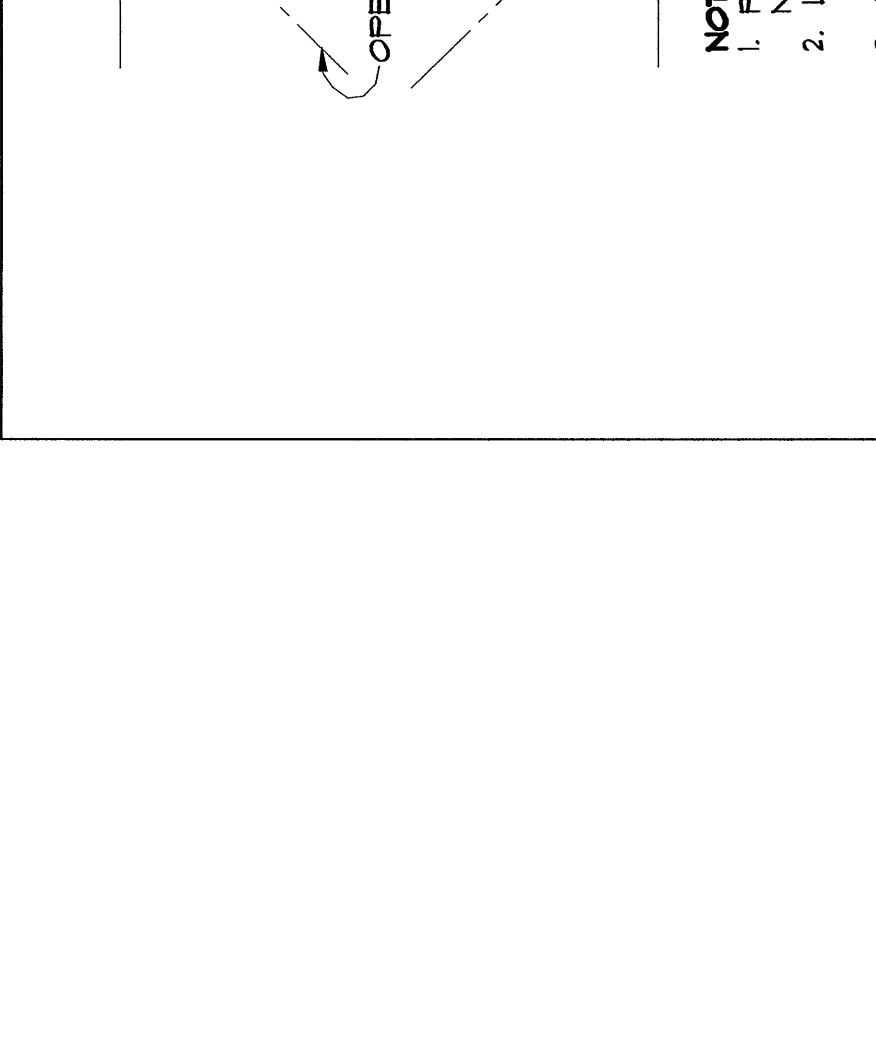
LH-SERIES JOIST TO TUBE COLUMN @ ROOF
NT.S.

NOTE: CONCENTRATED LOADS OVER 200\"/>



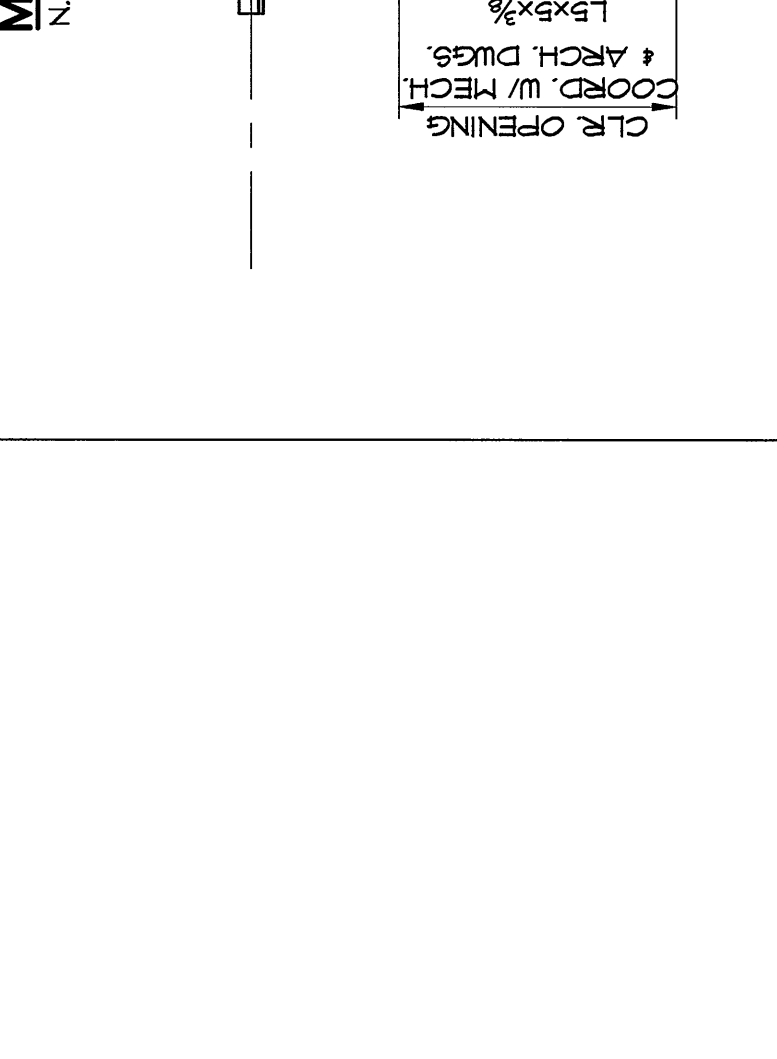
K-SERIES JOIST TO TUBE COLUMN @ ROOF
NT.S.

NOTE: CONCENTRATED LOADS OVER 200\"/>



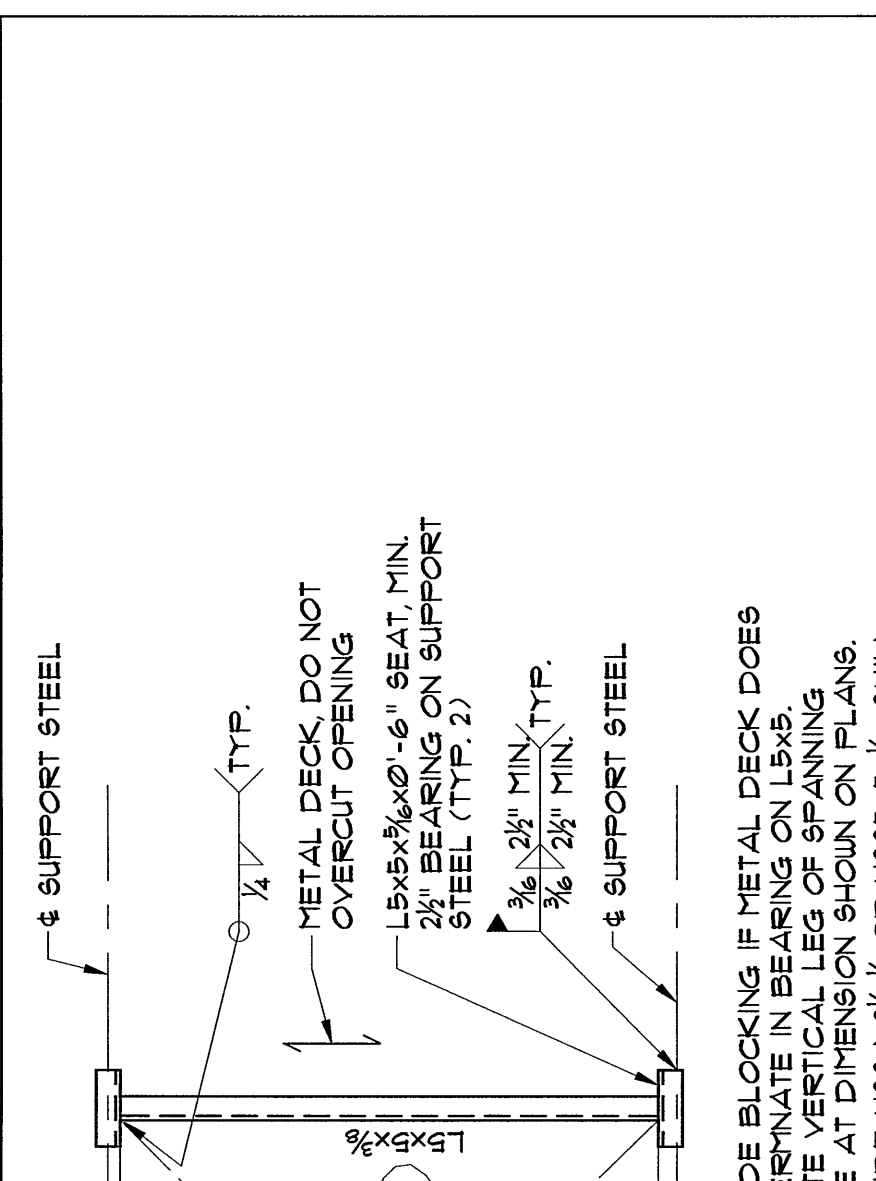
SINGLE FRAME (SF) METAL DECK SUPPORT
NT.S.

NOTE: PROVIDE BLOCKING IF METAL DECK DOES NOT TERMINATE IN BEARING ON L5WB.



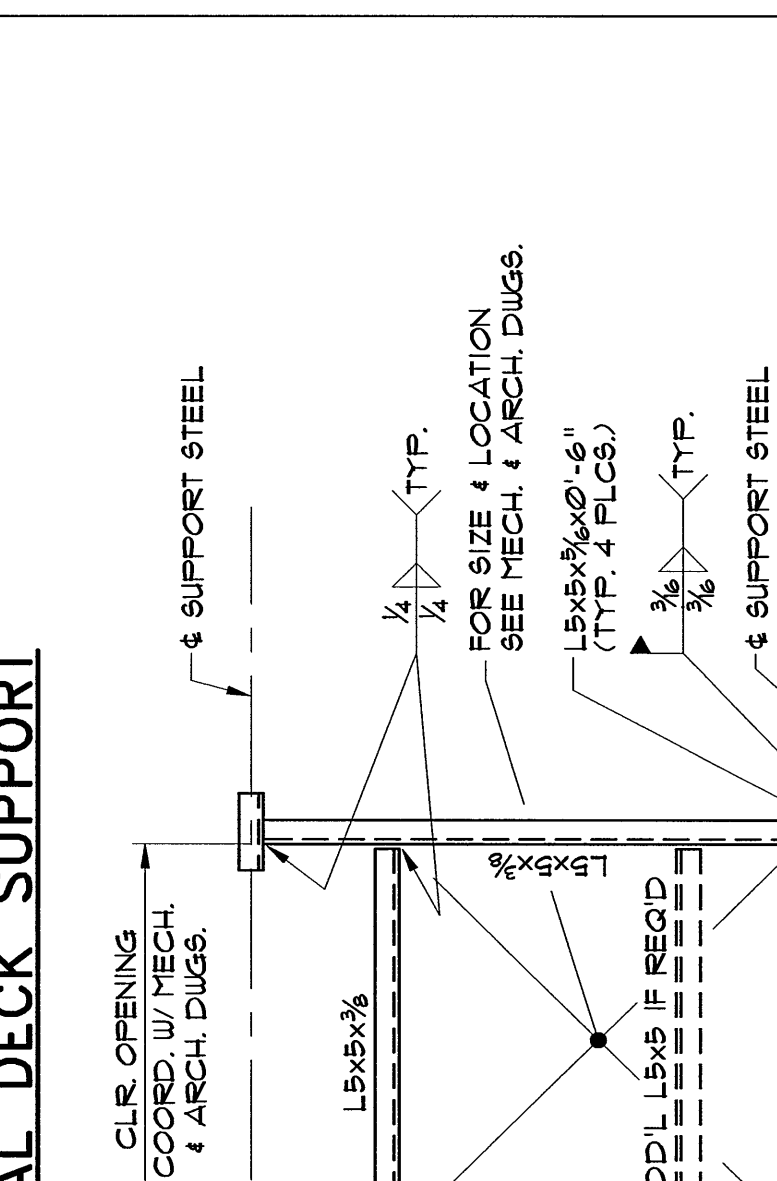
METAL DECK SUPPORT AT OPENINGS
NT.S.

NOTE: PROVIDE ADD'L WEB MEMBER IF FRAMING PANEL POINT (FIELD LOCATE)



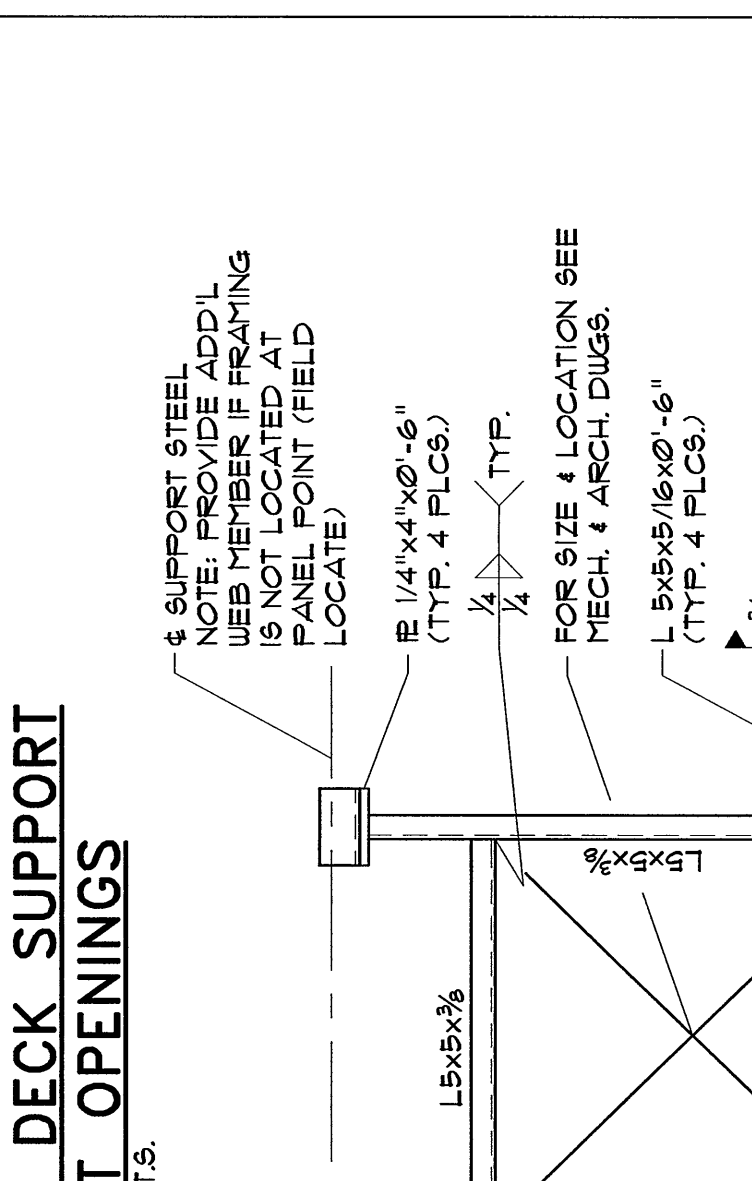
METAL DECK SUPPORT @ EXIST. ROOF
NT.S.

NOTE: AS PART OF OVERALL PROJECT COORDINATION, THE GENERAL CONTRACTOR SHALL COORDINATE DIMENSIONS FOR ROUGH MECHANICAL UNIT GASSES AND SUPPORTS. THESE DIMENSIONS MUST BE COORDINATED BY THE GC FOR THE ACTUAL ITEMS USED ON-SITE. MECHANICAL UNIT IS TO BE LOCATED IN FIELD UNLESS OTHERWISE NOTED. PROVIDE CORRECT FRAMING WHETHER OR NOT METAL DECK IS IN PLACE.



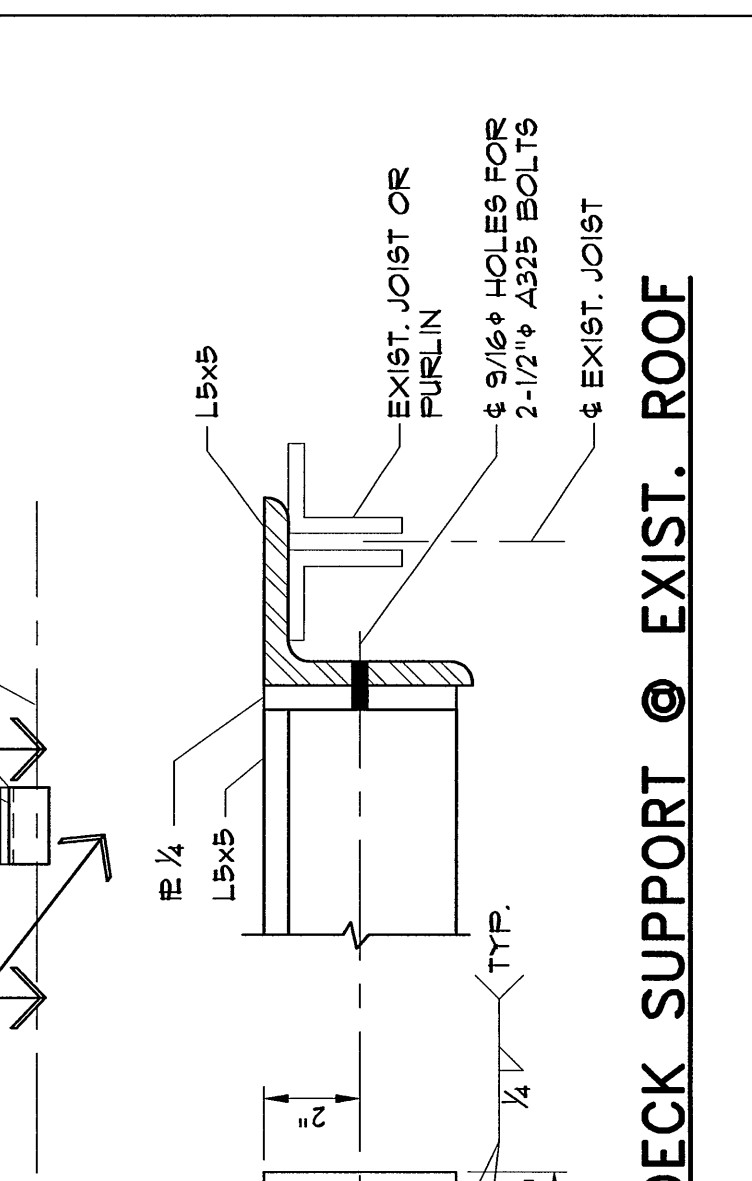
JOIST REINFORCEMENT DETAIL
NT.S.

NOTE: (CONCENTRATED LOADS OVER 200\"/>



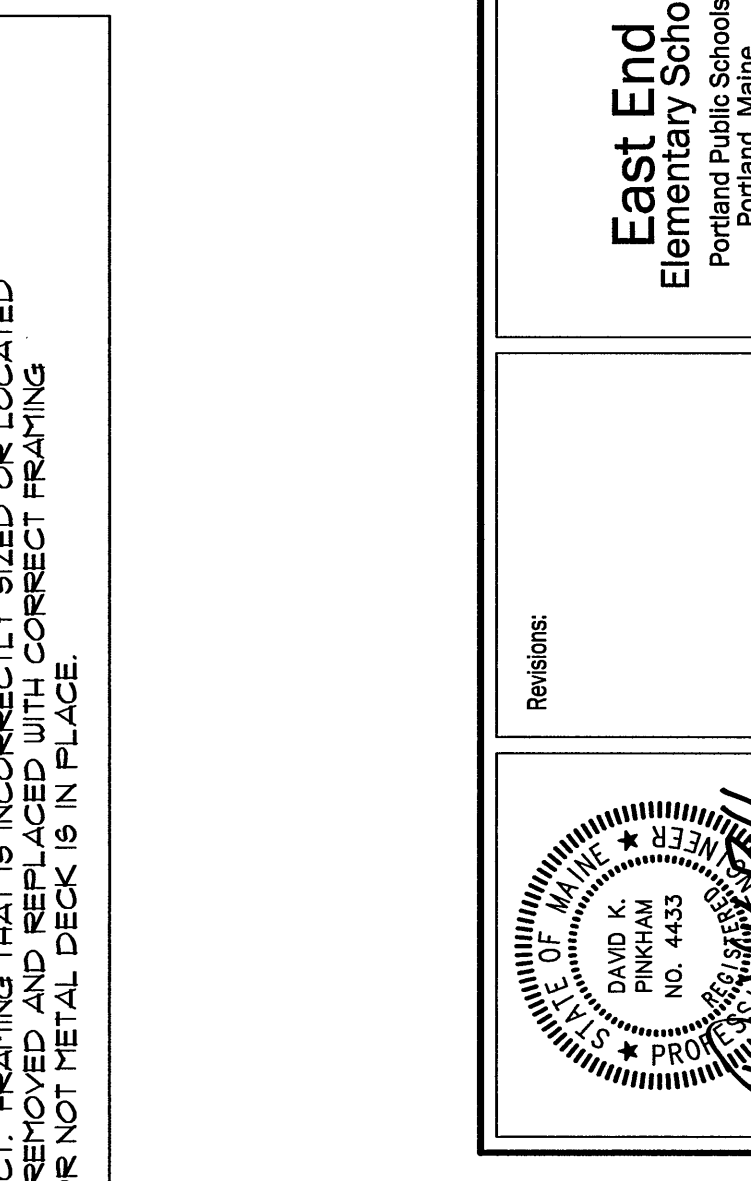
MECHANICAL JOIST 1 (J1)
NT.S.

NOTE: 1. J1'S MAY BE COMBINED TO FORM FRAMES SIMILAR TO METAL DECK SUPPORT AT EXISTING ROOF. PROVIDE HSS&X&X&X OR HSS&X&X SHIM UNDER BEARING ANGLE AS REQUIRED.



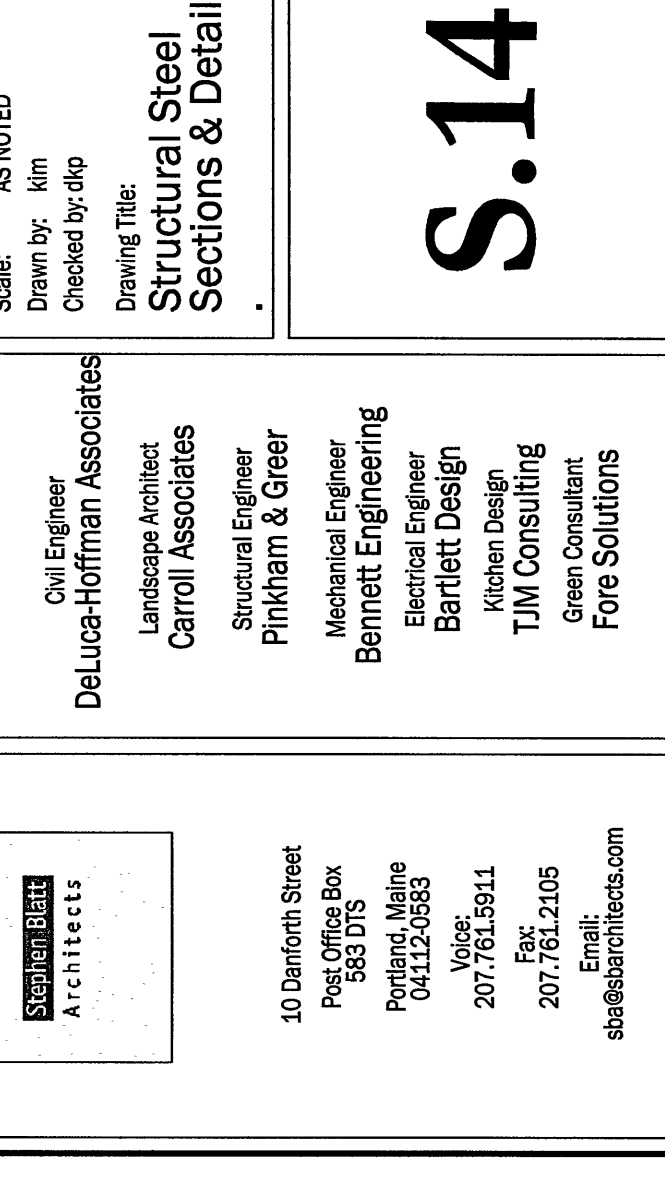
MECHANICAL JOIST 2 (J2)
NT.S.

NOTE: 1. J2'S MAY BE COMBINED TO FORM FRAMES SIMILAR TO METAL DECK SUPPORT AT EXISTING ROOF. PROVIDE HSS&X&X&X OR HSS&X&X SHIM UNDER BEARING ANGLE AS REQUIRED.



MECHANICAL JOIST 3 (J3) PLAN VIEW
NT.S.

NOTE: 1. PROVIDE FT. WOOD BLOCKING IF METAL DECK DOES NOT TERMINATE IN BEARING ON MEMBER.

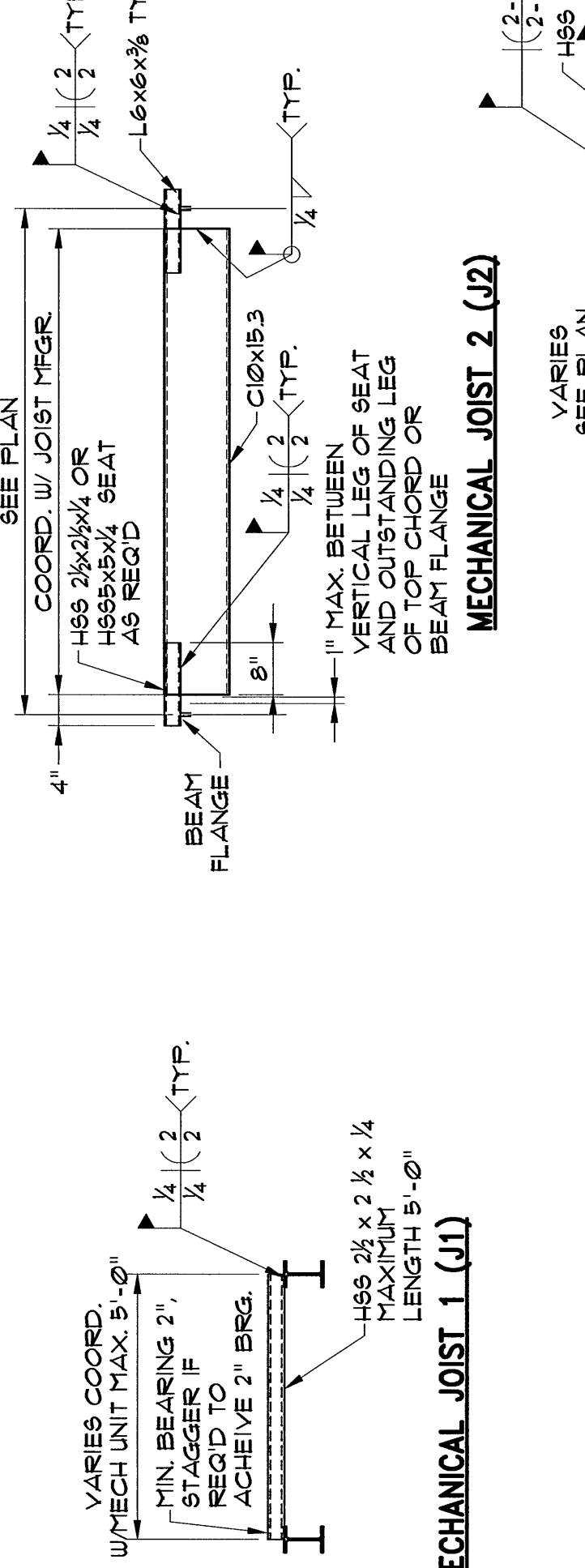


TYP. TOP ANCHOR @ CMU PARTITIONS
NT.S.

NOTE: IN GENERAL, THE TOP OF ALL CMU WALLS MUST BE LATERALLY BRACED OR ANCHORED TO THE STRUCTURE ABOVE. BRACING OR ANCHORS TO BE PROVIDED AT ALL CORNERS AND AT ALL INTERSECTIONS OF CMU FRAMES TO UNDERSIDE OF STEEL BEAMS SHOWN IN ARCHITECTURAL SECTIONS AND EXPOSED TO VIEW. HO-TIAN AND BARNARD PARTITION TIE ANCHORS TYPE PTA-420 SHOULD BE USED AT ALL INTERSECTIONS AND CORNERS. PROVIDE HSS&X&X&X OR HSS&X&X SHIM UNDER BEARING ANGLE AS REQUIRED. SUBMIT PRODUCT DATA. BRACE ANCHORS BASED ON REQ'D CAPACITY OF 160LB/LIN. FT. OF WALL.

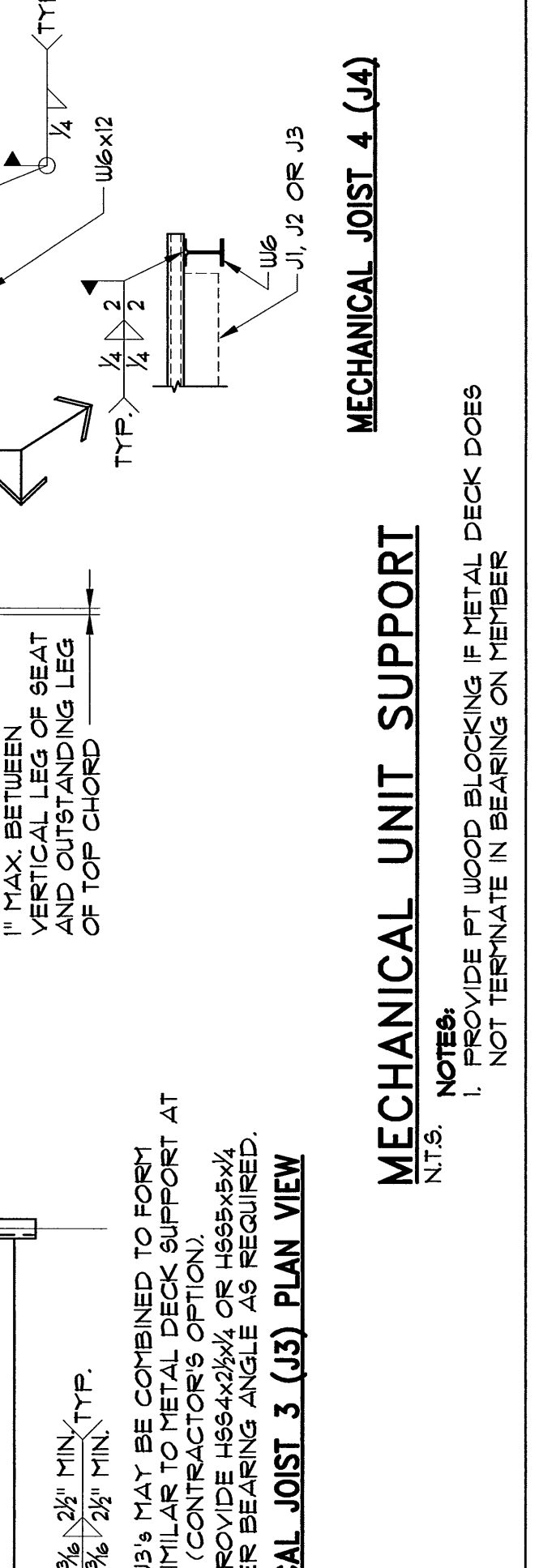
LUNTEL SCHEDULE	
EXTERIOR OPENINGS OVER 8'-0" WITH MULTIPLE GANGED WINDOWS	VENEER L6x4x1/2 LLV WITH PORTS BETWEEN WINDOWS NOTCH BRICK TO MAINTAIN STD. MORTAR JOINT. SEE DIMS \$S FOR DETAIL
EXTERIOR OPENINGS UP TO 8'-0"	VENEER L6x4x1/2 LLV
INTERIOR OPENINGS UP TO 8'-0"	L5x3 3/8x1/2 LLV
OPENINGS 15'0" AND 15'0"11	8" CHU
STORAGE SHED OPENING EXTERIOR	VENEER L3x2 3/8x1/2
	(2) L5x3 3/8x1/2

NOTE: 1. PROVIDE 8" BEARING EA. END FOR STEEL LUNTELS. 2. PROVIDE 1/2" BEARING EA. END FOR REINF. CHU LUNTELS. 3. GALVANIZE LUNTELS IN EXTERIOR WALLS & LOCKER ROOMS. PRIME PAINT OTHER STEEL LUNTELS.



PARALLEL TO JOISTS PERPENDICULAR TO JOISTS LOBBY SKYLIGHT CURB FRAME
NT.S.

NOTE: 1.5/8\"/>



TYPICAL CMU WALL BRACING
NT.S.

NOTE: 1. PROVIDE FT. WOOD BLOCKING IF METAL DECK DOES NOT TERMINATE IN BEARING ON MEMBER.

East End Elementary School
Portland Public Schools
Portland, Maine

DATE: 03/06/2024
SCALE: AS NOTED
DRAWN BY: km
CHECKED BY: dm
DRAWING TITLE: Structural Steel Sections & Details

CONSULTANTS: Deluca-Hoffman Associates
PROJECT MANAGER: Carol Associates
DESIGNER: Phinham & Greer
MECHANICAL ENGINEER: Barnett Engineering
ELECTRICAL ENGINEER: Barnett Design

S.14

7/15/24

ARCHITECTS

10 S. Main Street
Portland, ME 04101
PHONE: 603.775.1100
FAX: 603.775.1101
WWW: www.dh-a.com

ISSUED FOR: T&M Consulting
DATE: 2017.02.15
PROJECT: 2017.02.15
JOB: 2017.02.15
JOB NO: 2017.02.15