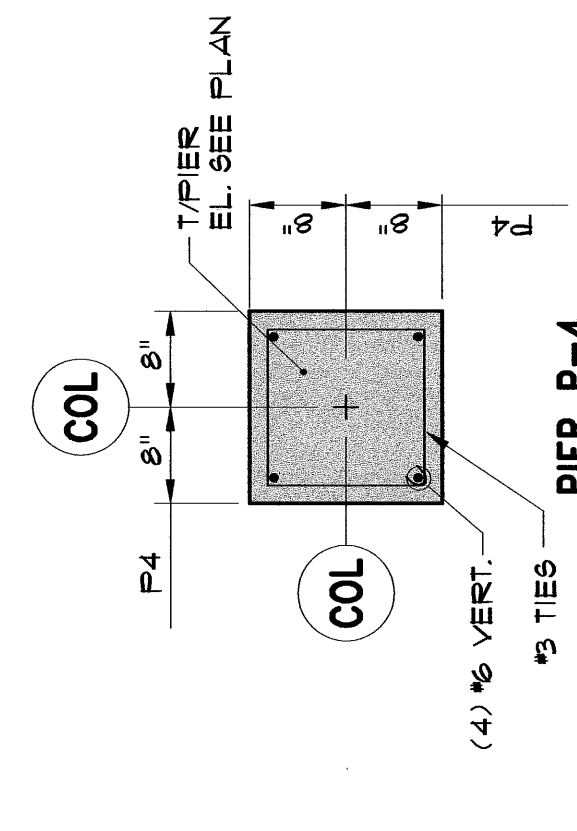
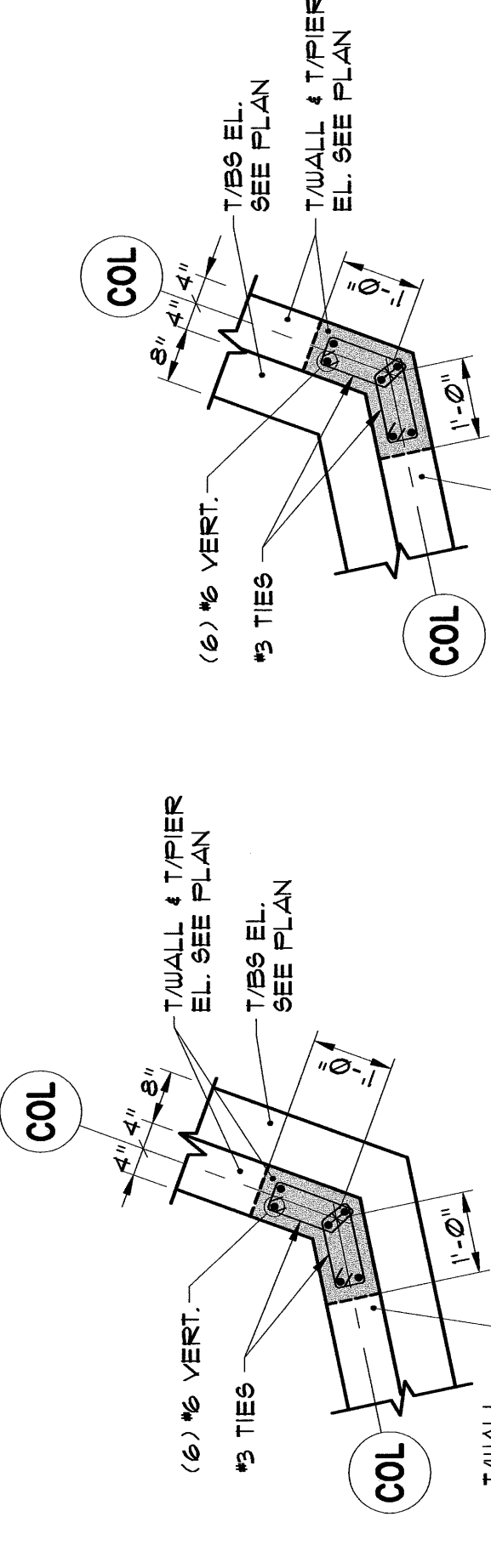


PIER P-1
PIER P-2
9ft (NO BRICKSHELF)
9ft (NO BRICKSHELF)



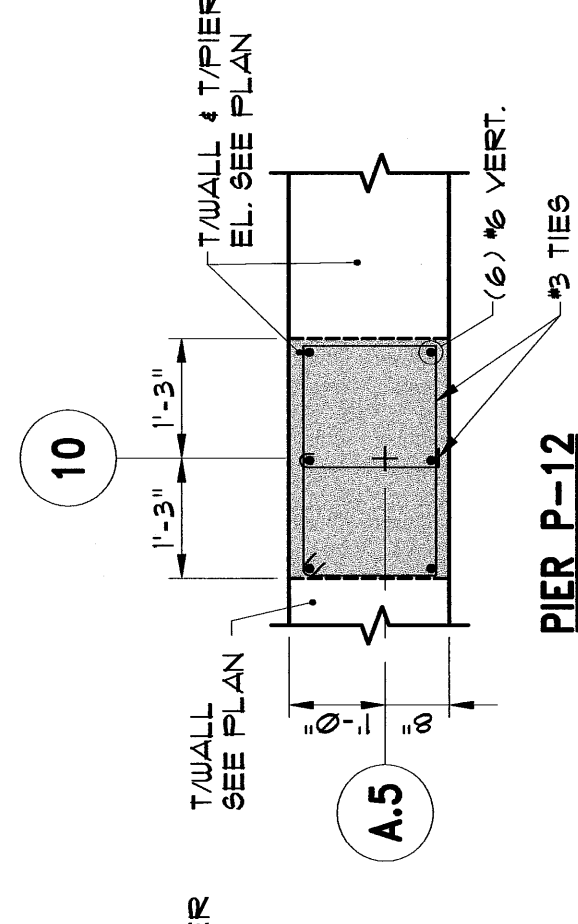
PIER P-3
(INSIDE CORNER)

PIER P-4
9ft (NO BRICKSHELF)



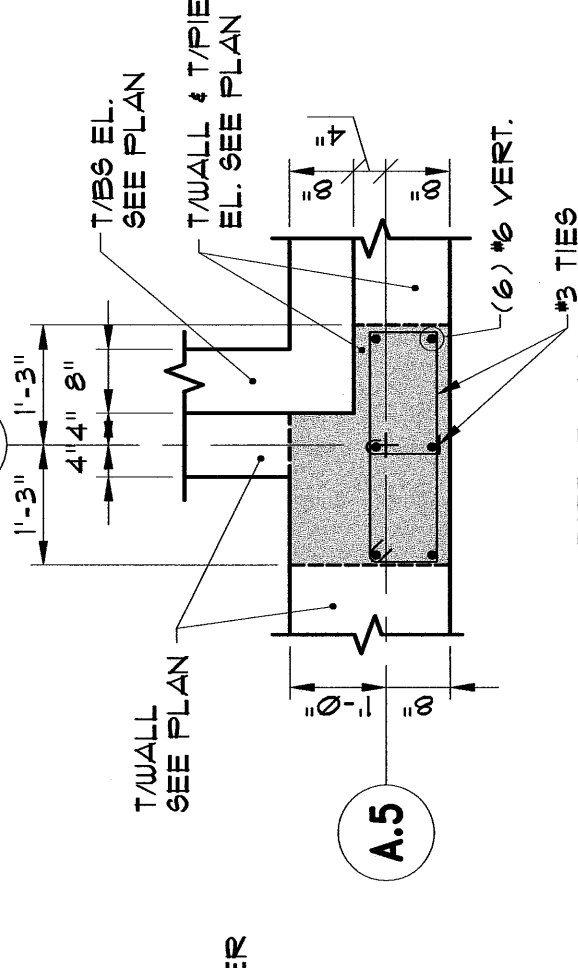
PIER P-5
(OUTSIDE CORNER)

PIER P-6
9ft (NO BRICKSHELF)



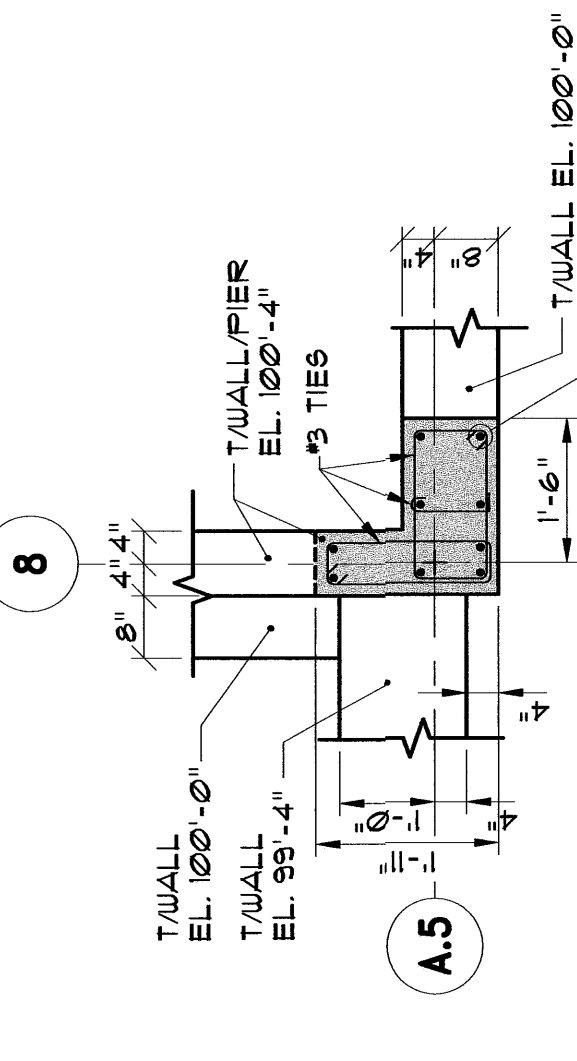
PIER P-7
PIER P-8
9ft (NO BRICKSHELF)

PIER P-8
PIER P-8
9ft (NO BRICKSHELF)



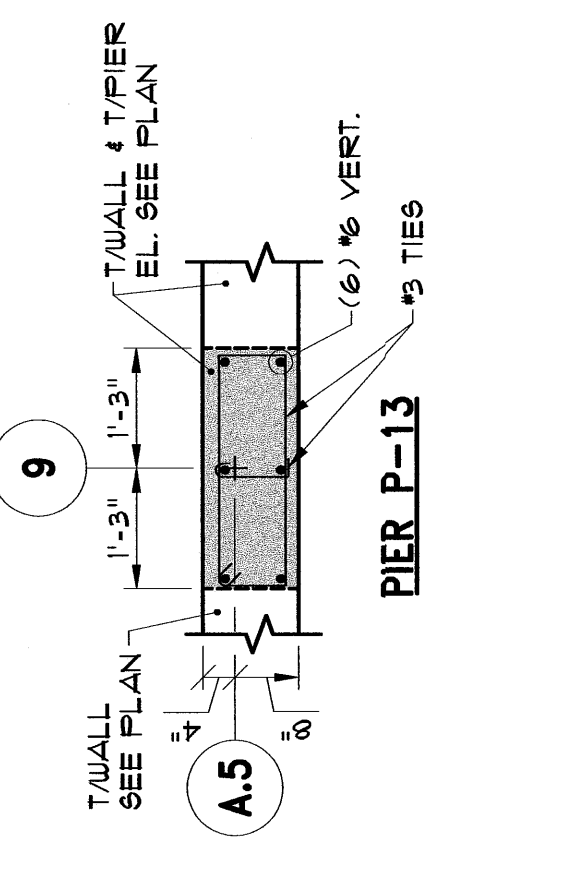
PIER P-9
PIER P-9
9ft (NO BRICKSHELF)

PIER P-10
PIER P-10
9ft (NO BRICKSHELF)



PIER P-11
PIER P-11
9ft (NO BRICKSHELF)

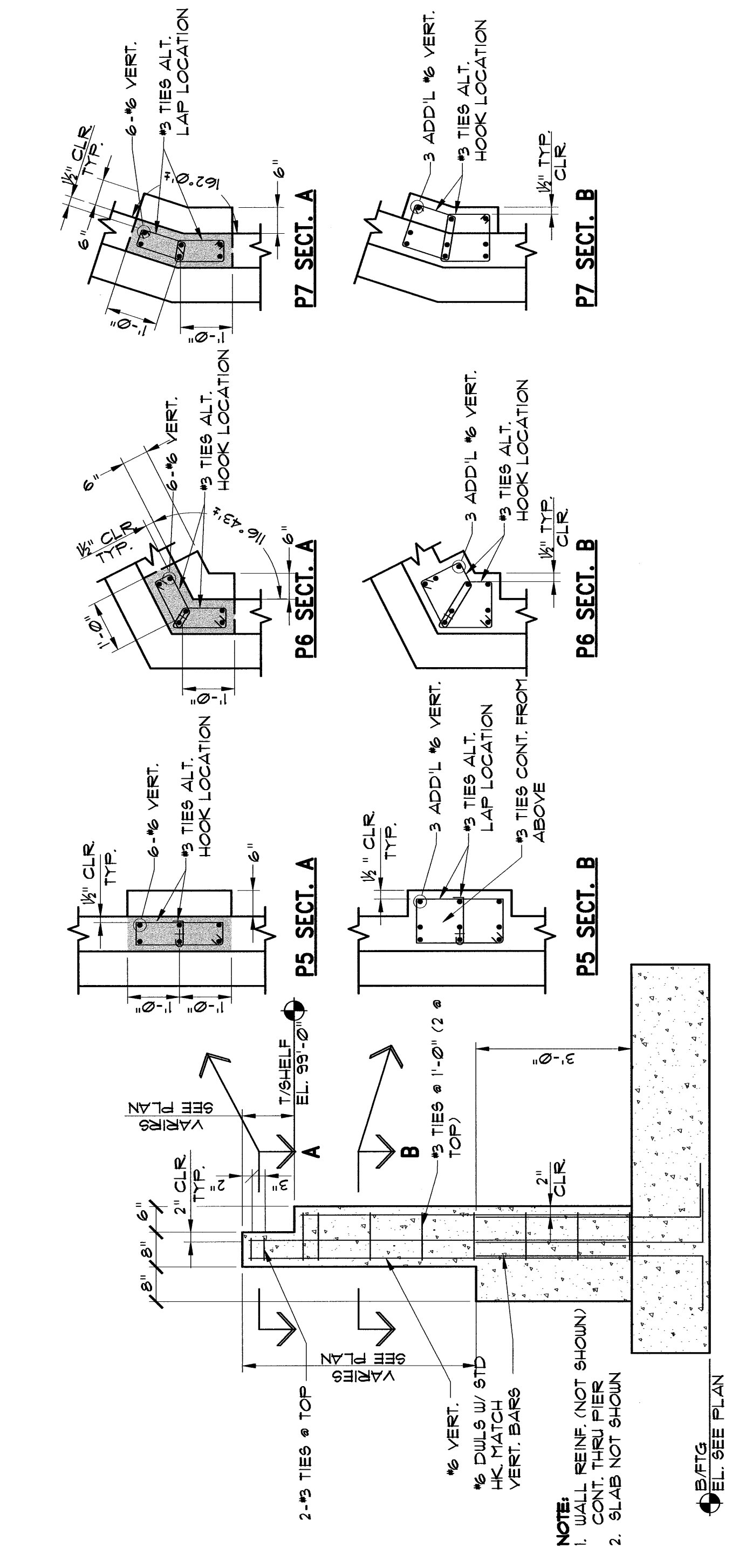
PIER P-12
PIER P-12
9ft (NO BRICKSHELF)



PIER P-13
PIER P-13
9ft (NO BRICKSHELF)

PIER P-14
PIER P-14
9ft (NO BRICKSHELF)

PIER DETAILS
1/4"=1'-0"



SECTION @ PIERS 5, 6, & 7
1/4"=1'-0"

<p>East End Elementary School Portland Public Schools Portland, Maine</p>	<p>Proj No: 0383 Date: 08.15.2004 Scale: AS NOTED Drawn by: JIM Checked by: GJP</p>	<p>Consultants Civil Engineer DuLuca-Hoffman Associates Licensee Number: Carroll Associates Structural Engineer Pinkham & Greer Mechanical Engineer Bennett Engineering Electrical Engineer Bardlett Design Interior Design TJM Consulting Fore Solutions</p>	<p>Concrete & Details</p>	<p>S.7</p>
	<p>10 Parkton Street Portland, ME 04103 Phone: 603.775.1100 Fax: 603.775.1100 Web: 603.775.1100 Email: info@dulucahoffman.com</p>	<p>10 Parkton Street Portland, ME 04103 Phone: 603.775.1100 Fax: 603.775.1100 Web: 603.775.1100 Email: info@dulucahoffman.com</p>	<p>10 Parkton Street Portland, ME 04103 Phone: 603.775.1100 Fax: 603.775.1100 Web: 603.775.1100 Email: info@dulucahoffman.com</p>	<p>10 Parkton Street Portland, ME 04103 Phone: 603.775.1100 Fax: 603.775.1100 Web: 603.775.1100 Email: info@dulucahoffman.com</p>