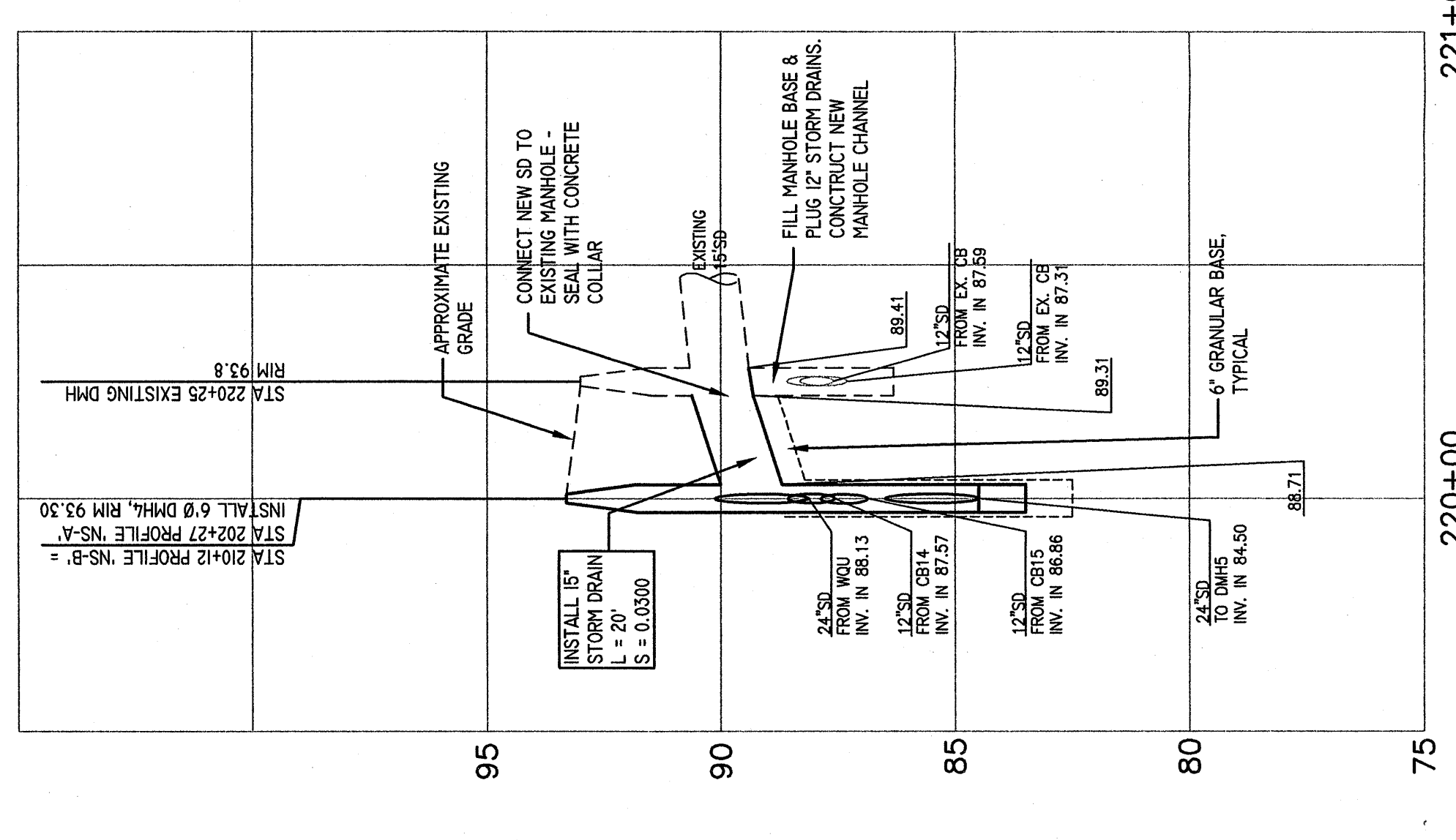


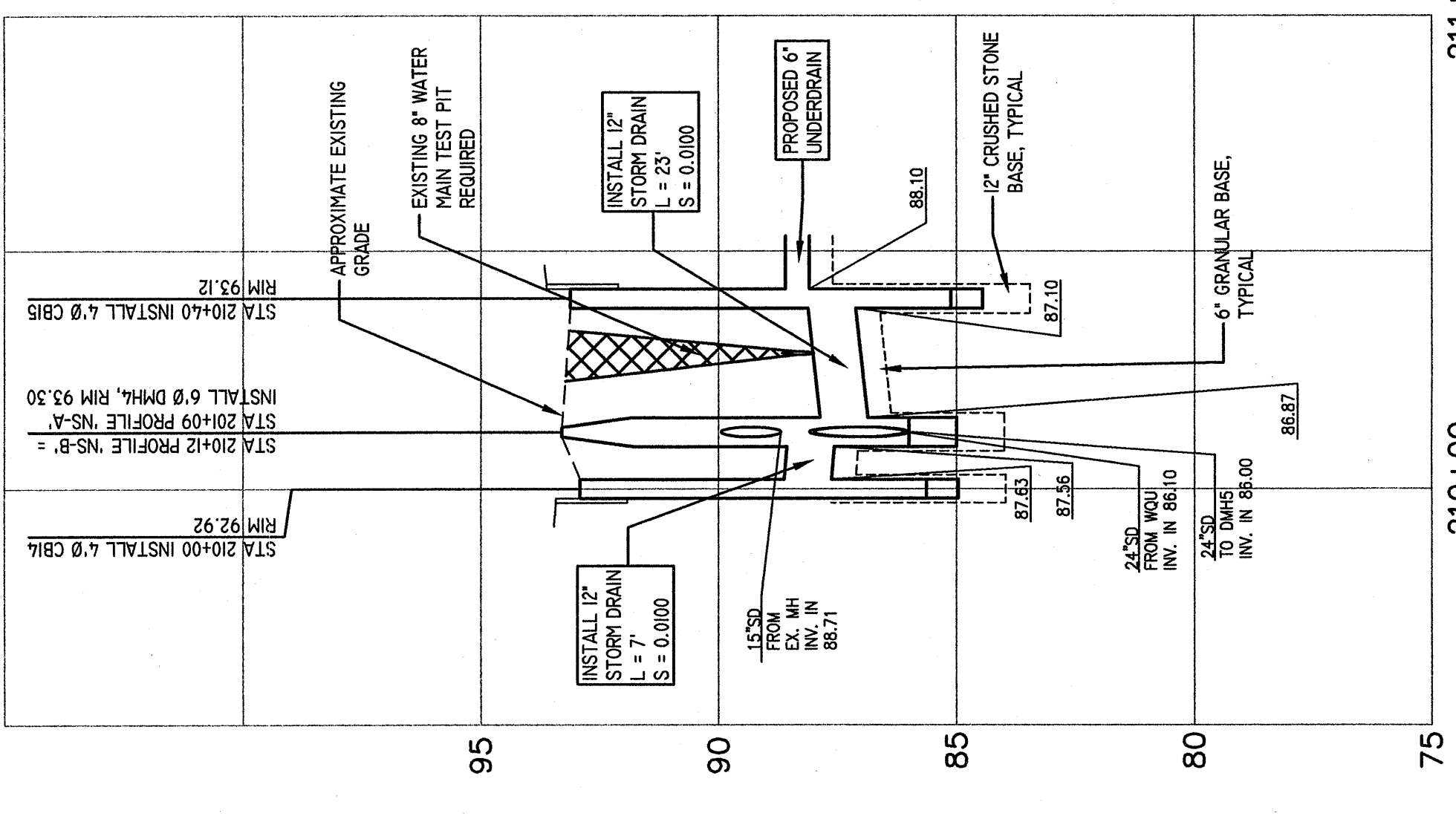
201+00  
201+50  
OFFSITE STORM DRAIN PROFILE NS-A  
SCALE: 1"=30' HORIZ., 1"=3' VERT.

ADJUSTMENTS TO BE MADE BASED ON TEST PITS:

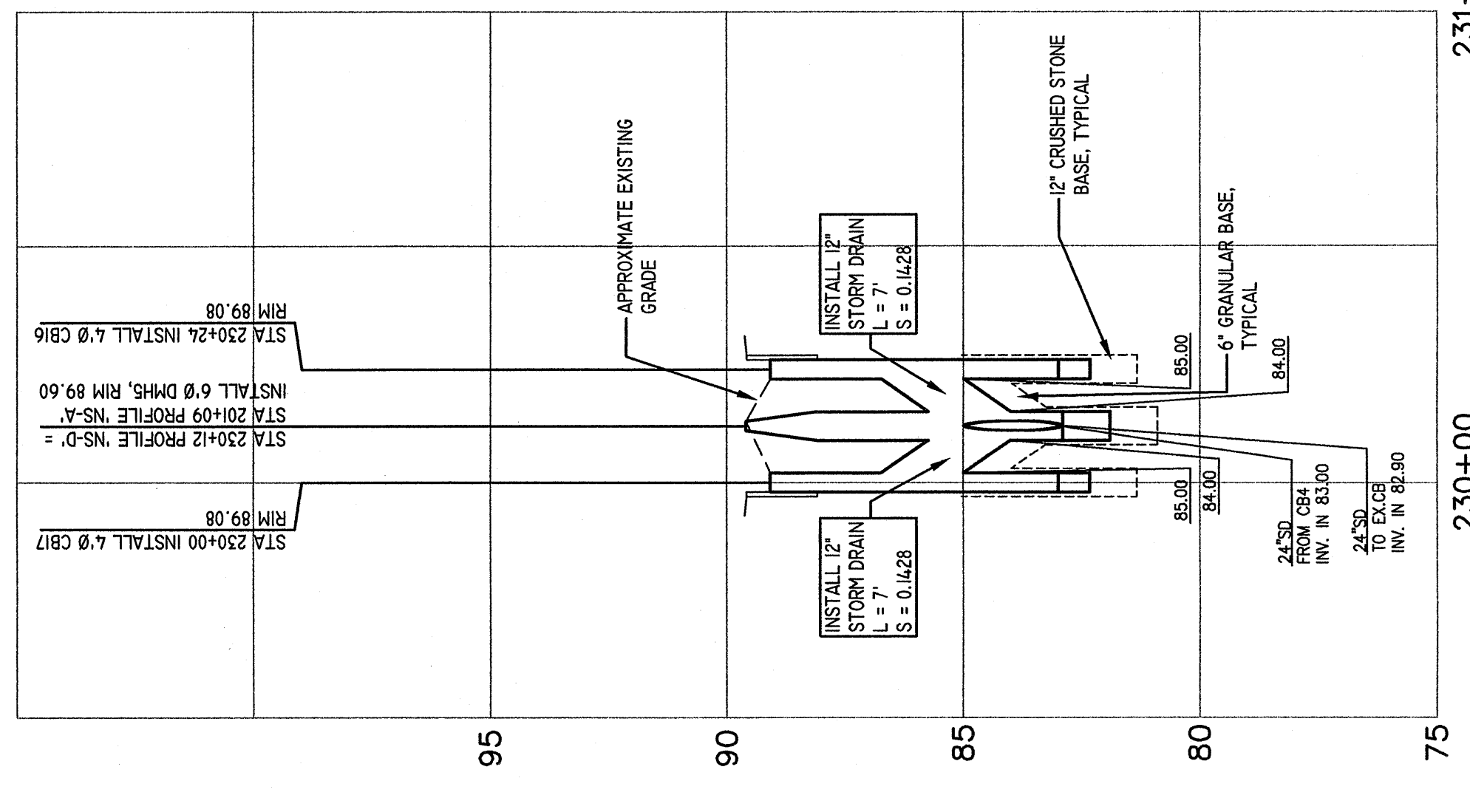
1. ADJUST 24" STORM DRAIN ELEVATIONS TO PASS UNDER 8" WATER MAIN. LOWER ELEVATION OF DMH 4 AND DMH 5 AS REQUIRED.
2. RAISE OR LOWER 12" LINE BETWEEN CB 15 AND DMH 4 TO CLEAR 8" WATER MAIN BY 6". 6" UNDERDRAIN INLET TO CB 5 TO REMAIN AT ELEVATION 88.10 AND ABOVE 12" OUTLET.
3. DO NOT ORDER MANHOLES AND CATCH BASINS UNTIL TEST PITS HAVE COMPLETED.



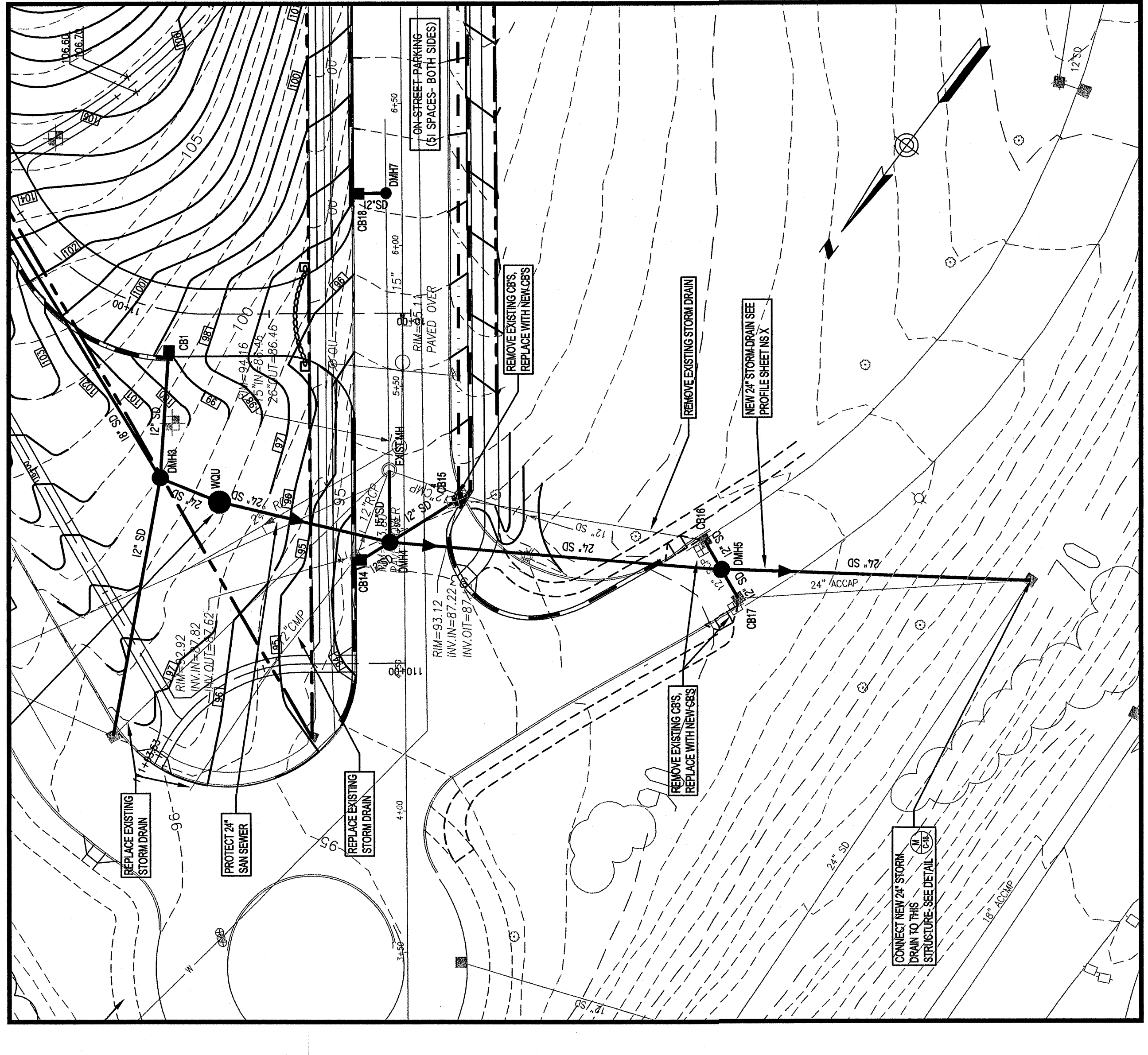
220+00  
221+00  
OFFSITE STORM DRAIN PROFILE NS-C  
SCALE: 1"=30' HORIZ., 1"=3' VERT.



210+00  
211+00  
OFFSITE STORM DRAIN PROFILE NS-B  
SCALE: 1"=30' HORIZ., 1"=3' VERT.



230+00  
231+00  
OFFSITE STORM DRAIN PROFILE NS-D  
SCALE: 1"=30' HORIZ., 1"=3' VERT.



NORTH STREET STORM DRAIN UPGRADE  
SCALE: 1"=30'

NOTE:  
ALL CATCH BASINS INCLUDING CB 16 AND CB 17  
TO HAVE GRANITE CURB INLETS.

**East End Elementary School**  
Portland, Maine

Job No.: 270  
Date: February 4, 2014  
Scale: 1"=30'  
Drawing: 100  
Project No.: 08  
Project Name: North Street  
Offsite Drainage  
Improvements

**NS-C**  
5

Revised: 1. 02/04/14  
2. 02/05/14  
3. 02/06/14  
4. 02/06/14

Consultants:  
Civil Engineer  
Landscape Architect  
Contract Associates  
Structural Engineer  
Mechanical Engineer  
Electrical Engineer  
Sanitary Design  
T.M. Consulting  
Fire Solutions

10 Dunbar Street  
Portland, ME 04103  
Tel: 207.792.2706  
Fax: 207.792.8111  
www.dh-engineers.com

J.E. WILLIAM G. HOFFMANN  
P.E.

DeLuca-Hoffman  
Associates, Inc.  
300 TH PORTLAND, ME 04106  
www.dh-engineers.com

PRELIMINARY NOT FOR CONSTRUCTION